



US00D361882S

United States Patent [19]

[11] Patent Number: **Des. 361,882**

Sell, Jr. et al.

[45] Date of Patent: **** Sep. 5, 1995**

- [54] **BLADDER FOR A SHOE SOLE**
- [75] Inventors: **James C. Sell, Jr.**, Beaverton, Oreg.;
Larry R. Sarkinen, Vancouver,
Wash.; **Pamela S. Greene**; **Darcy S.**
Winslow, both of Portland, Oreg.
- [73] Assignee: **Nike, Inc.**, Beaverton, Oreg.
- [**] Term: **14 Years**
- [21] Appl. No.: **30,082**
- [22] Filed: **Oct. 21, 1994**
- [52] U.S. Cl. **D2/961**
- [58] Field of Search **D2/961, 946; 36/43,**
36/71, 28, 29, 88, 114; 12/146 B

- Nike 1993 Spring Catalog, Published Jun. 1992, pp. 8, 24, 34, 80, 86, 94, 98 and 102.
- Nike 1992 Fall Catalog, Published Dec. 1991, pp. 8, 22 and 82.
- Nike 1992 Spring Catalog, Published May 1991, pp. 8, 12, 34, 44, 48 and 74.
- Nike 1991 Fall Catalog, Published Dec. 1990, pp. 8, 14, 32, and 46.
- Nike 1991 Spring Catalog, Published Jun. 1990, pp. 8, 12, 28, 30, 32, 42, 68, and 78.
- Nike 1990 Fall Catalog, Published Dec. 1989, pp. 4, 30, and 40.
- Nike 1990 Spring Catalog, Published Jun. 1989, pp. 4, 22, 24 and 40.
- Nike 1989 Fall Catalog, Published Dec. 1988, pp. 4, 8, and 22.
- Nike 1989 Spring Catalog, Published Jun. 1988, pp. 8 and 28.
- Nike 1988 Fall Catalog, Published Dec. 1987, pp. 4 and 68.
- Nike 1988 Spring Catalog, Published Jun. 1987, pp. 2, 4 and 24.

[56] References Cited

U.S. PATENT DOCUMENTS

D. 197,504	2/1964	O'Donnell	D2/961
D. 343,725	2/1994	Lee	D2/961
D. 349,804	8/1994	Passke et al.	D2/961
D. 350,017	8/1994	Sarkinen	D2/961
D. 350,023	8/1994	Hatfield et al.	D2/977
1,910,609	5/1933	Keller	.	
4,442,612	4/1984	Hauser	36/43
4,862,604	9/1989	Hauser	36/43
5,353,459	10/1994	Potter et al.	12/146 R

OTHER PUBLICATIONS

- Exhibits A-H, Photographs of Bladders.
- Nike 1995 Spring Catalog, Published Jun. 1994, pp. 2, 3, 4, 7, 8, 9, 21, 28, 40, 88 and 94.
- Nike 1994 Holiday Catalog, Published Mar. 1994, pp. 8, 14, and 22.
- Nike 1994 Fall Catalog, Published Nov. 1993, pp. 2, 3, 4, 5, 8, 28, 40, 88 and 96.
- Nike 1994 Late Spring Catalog, Published Sep. 1993, pp. 8 and 18.
- Nike 1994 Spring Catalog, Published Jun. 1993, pp. 6, 26 and 88.
- Nike 1993 Holiday Catalog, Published Mar. 1993, p. 12.
- Nike 1993 Fall Catalog, Published Dec. 1992, pp. 8, 34, 80, 94 and 102.

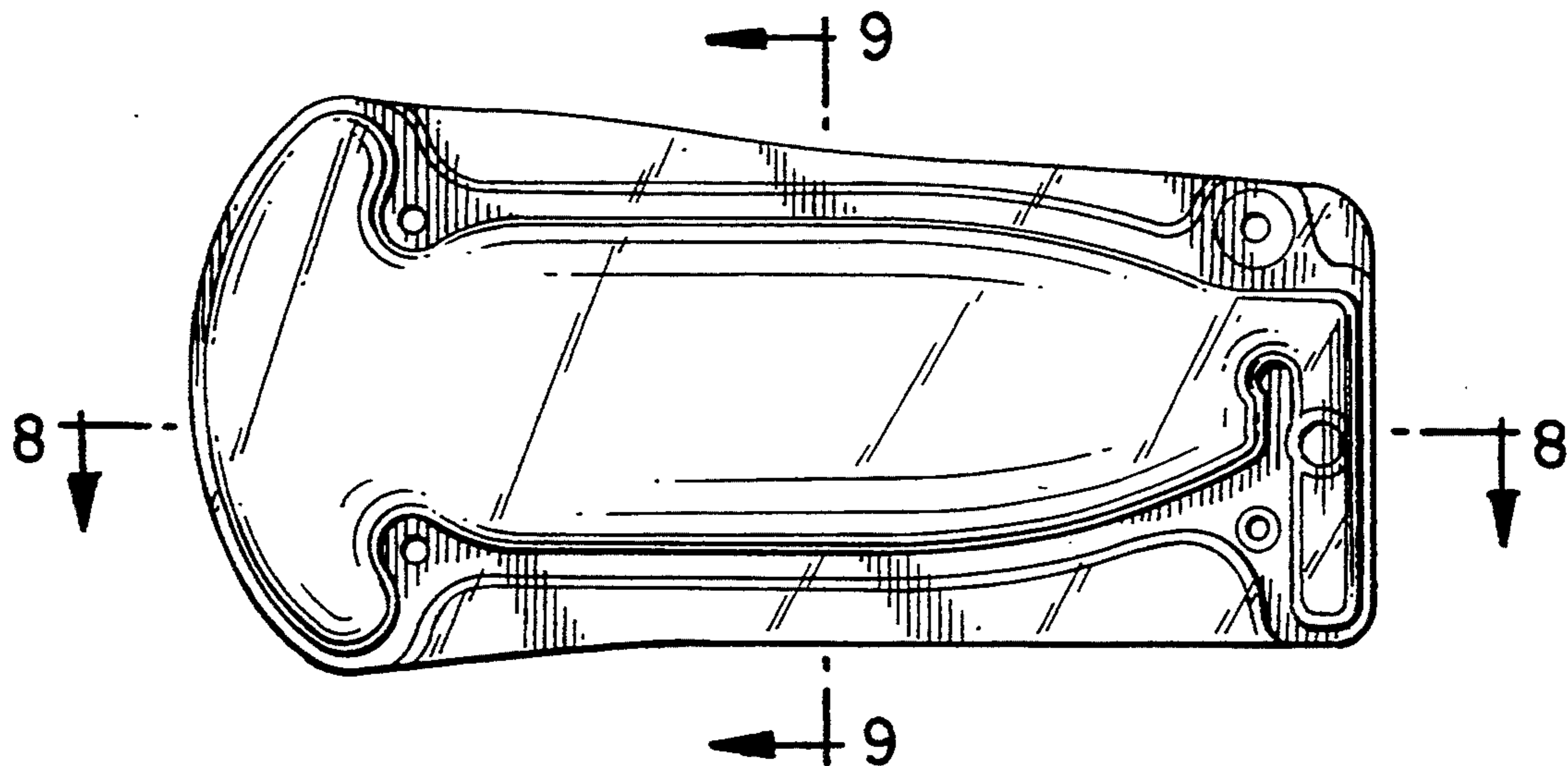
Primary Examiner—Doris V. Coles
Attorney, Agent, or Firm—Banner & Allegretti, Ltd.

[57] CLAIM

The ornamental design for a bladder for a shoe sole, as shown and described.

DESCRIPTION

- FIG. 1 is a bottom plan view of a bladder for a shoe sole showing our new design;
- FIG. 2 is a top plan view thereof;
- FIG. 3 is a rear elevational view thereof;
- FIG. 4 is a left side elevational view thereof;
- FIG. 5 is a right side elevational view thereof;
- FIG. 6 is a front elevational view thereof;
- FIG. 7 is a perspective view thereof;
- FIG. 8 is a cross-sectional view taken along line 8—8 of FIG. 1; and,
- FIG. 9 is a cross-sectional view taken along line 9—9 of FIG. 1.



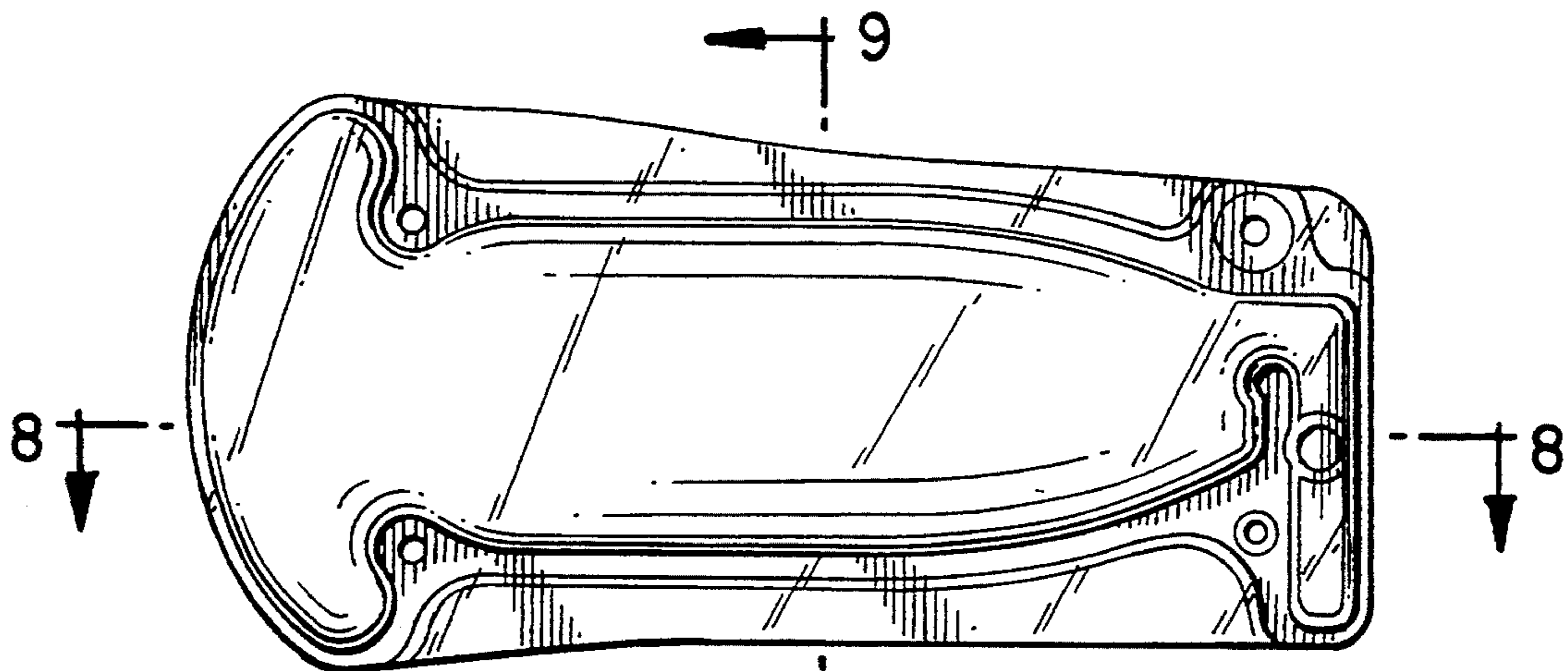


FIG. 1

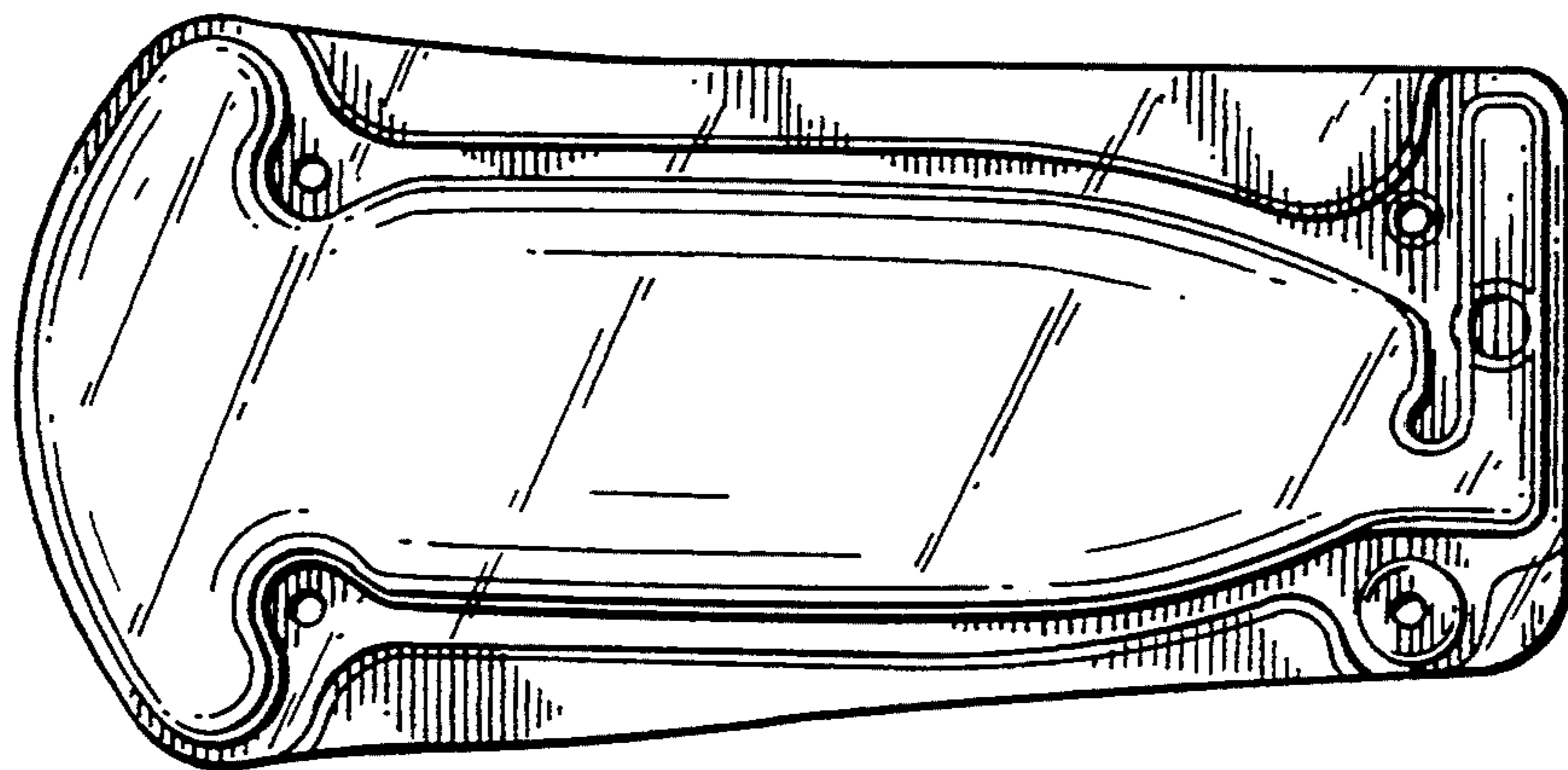


FIG. 2

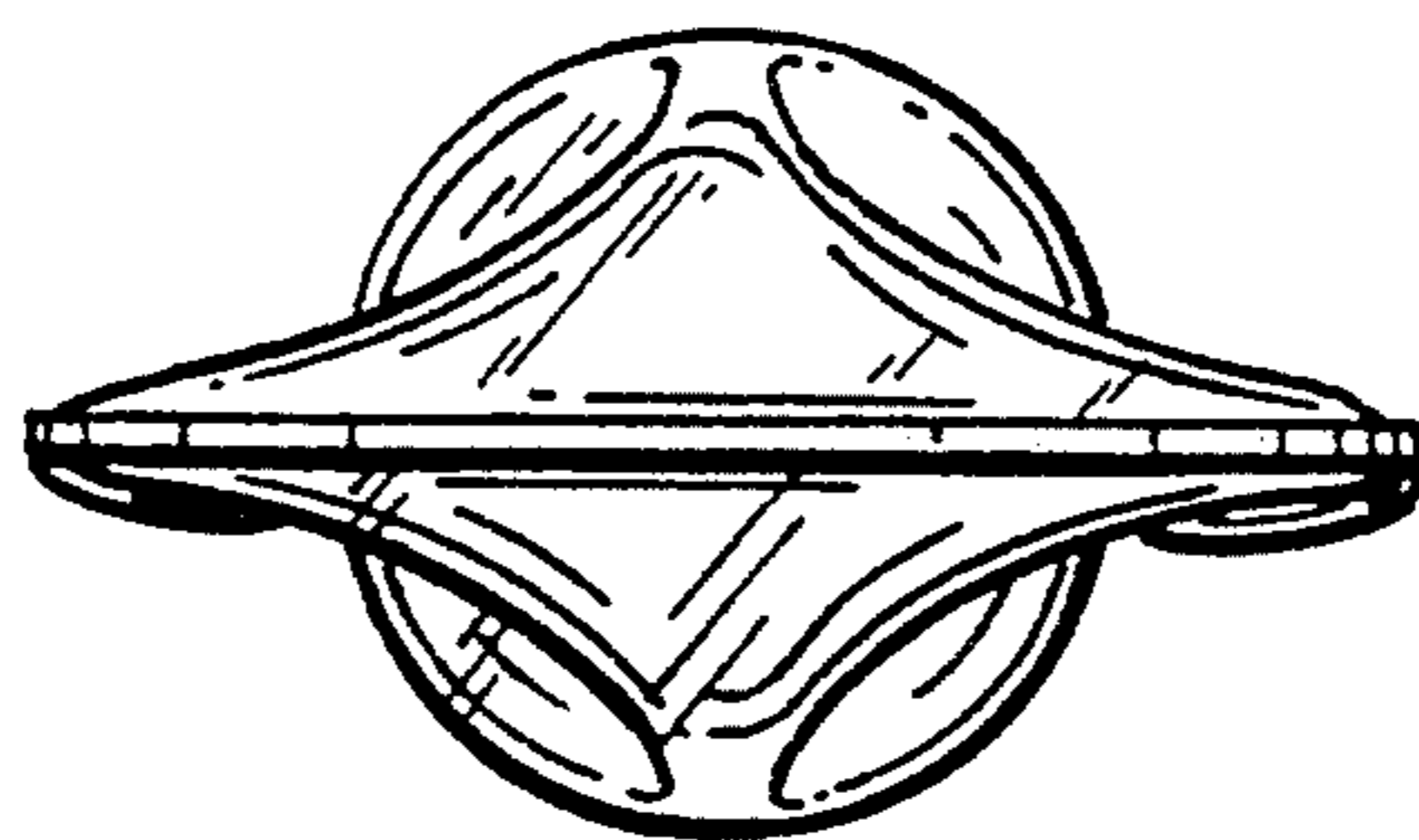


FIG. 3

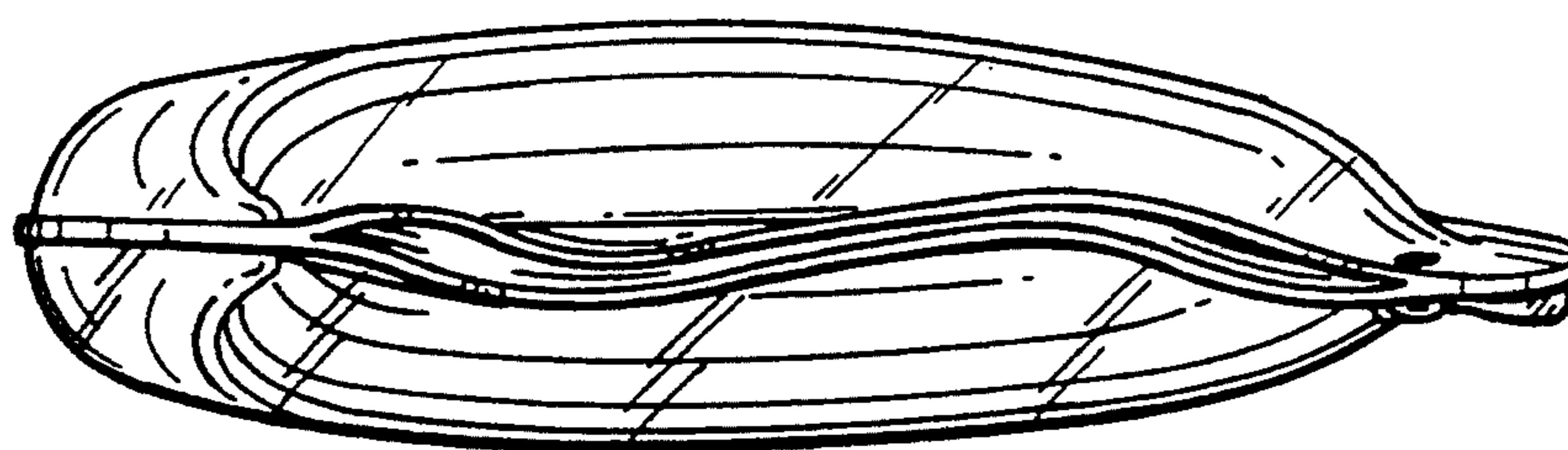


FIG. 4

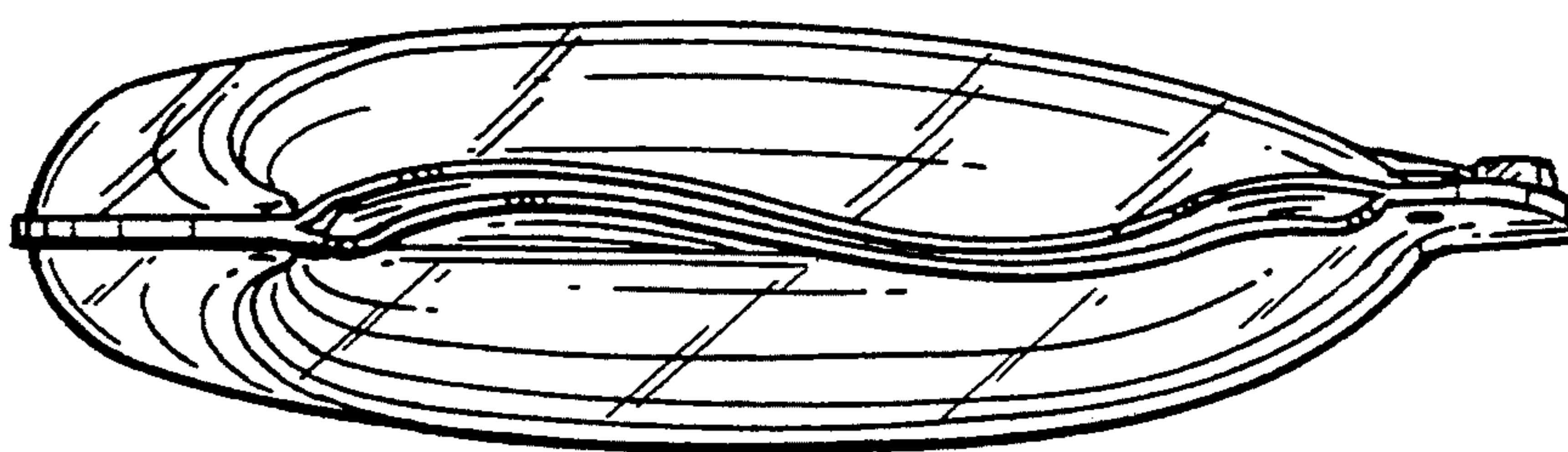


FIG. 5

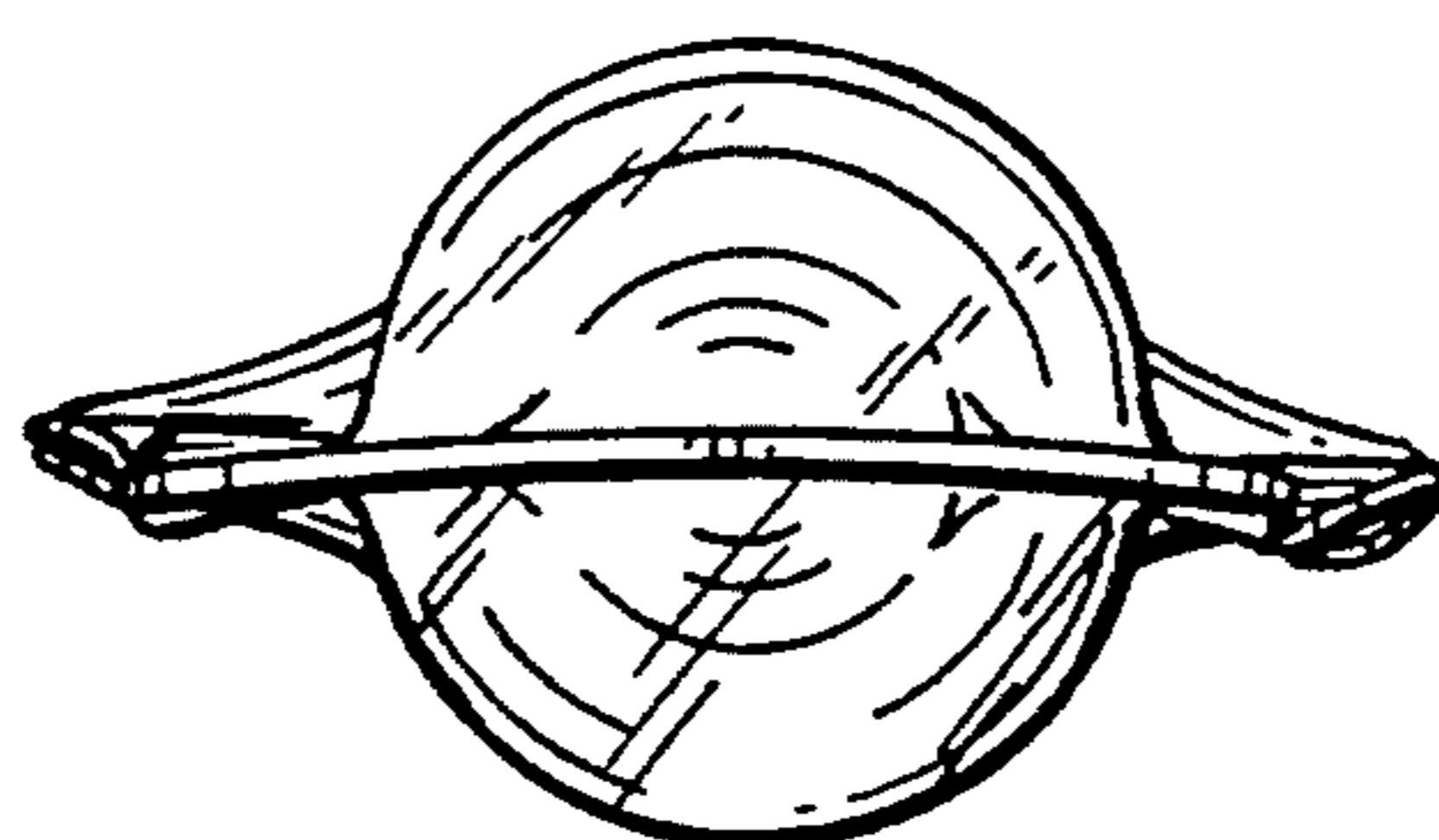


FIG. 6

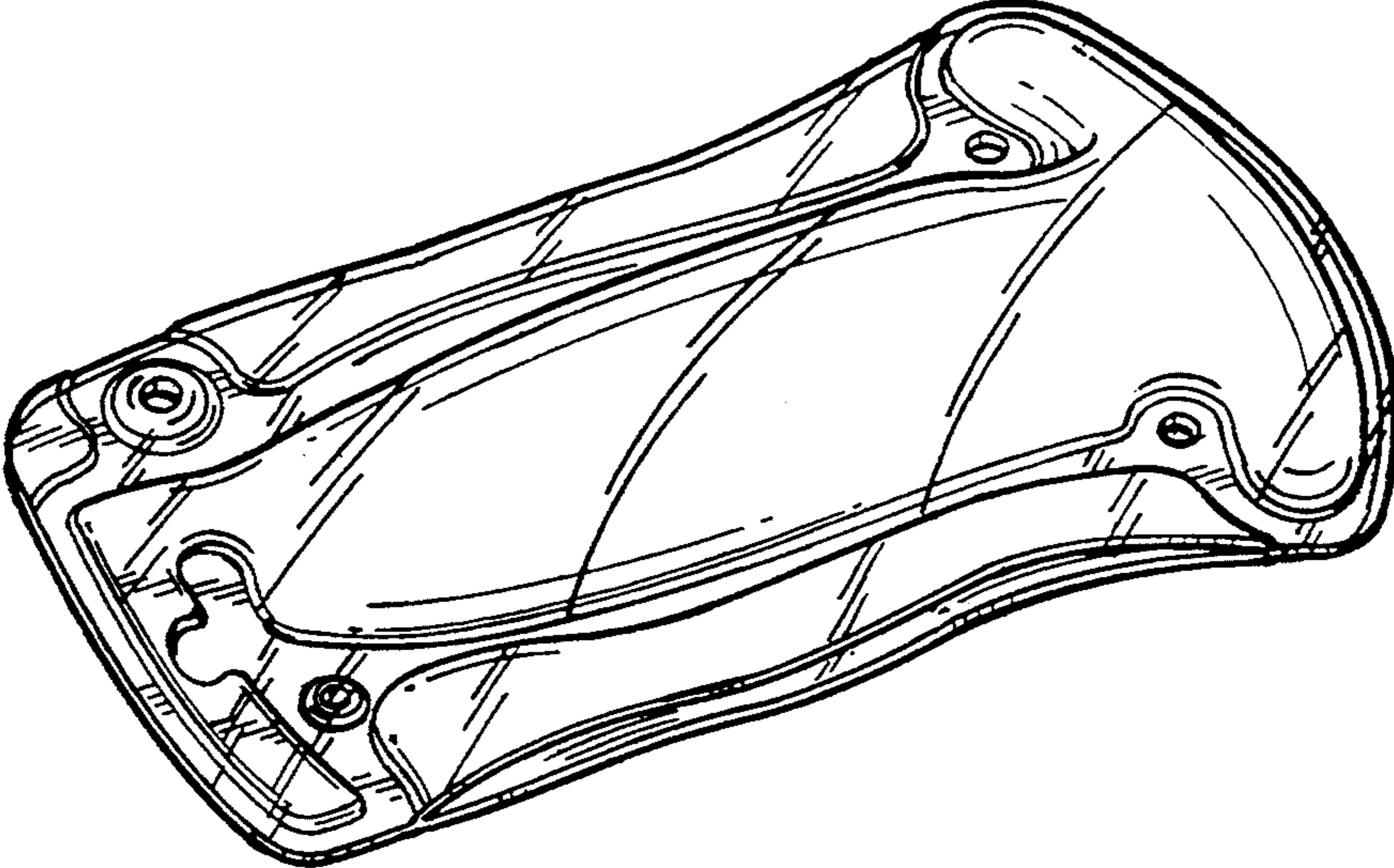


FIG. 7

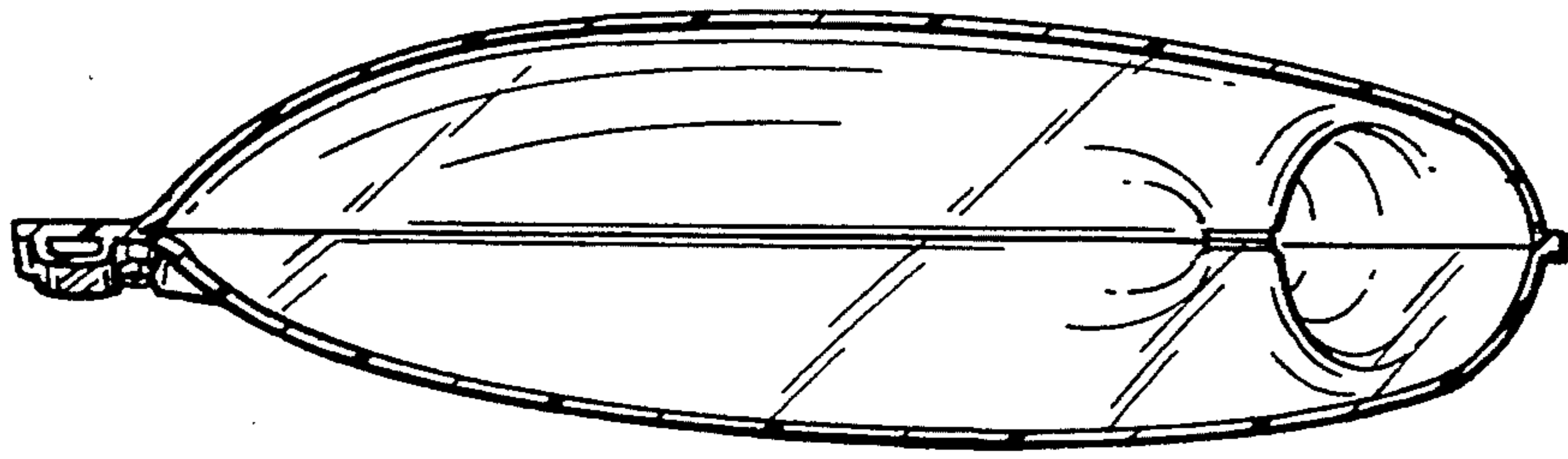


FIG. 8

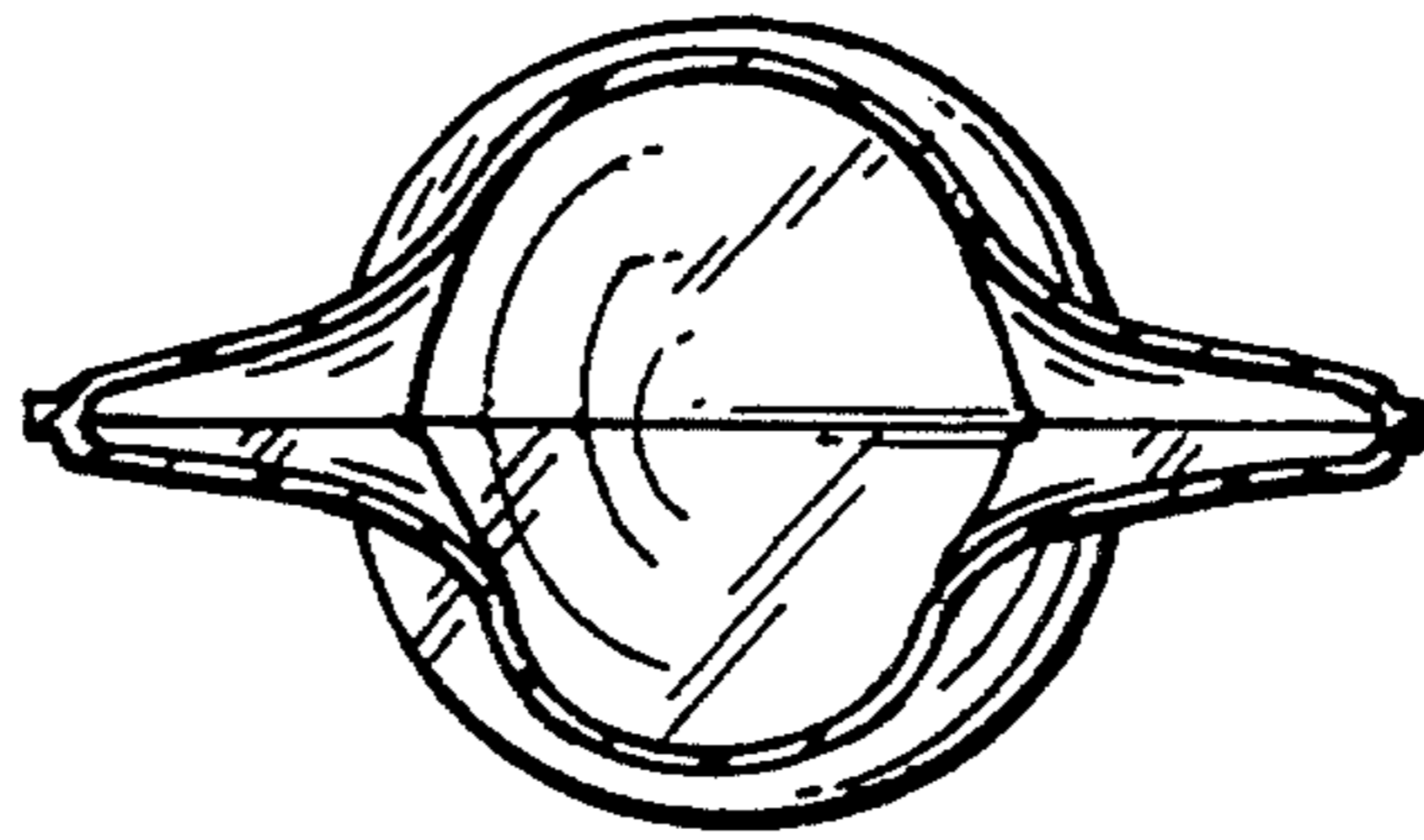


FIG. 9