



US00D361873S

United States Patent [19]

Nottingham et al.

[11] Patent Number: **Des. 361,873**

[45] Date of Patent: **** Aug. 29, 1995**

[54] **BIRD FEEDER**

[75] Inventors: **John R. Nottingham**, Hunting Valley;
John J. Pastrick, University Heights;
John W. Spirk, Jr., Moreland Hills,
all of Ohio

[73] Assignee: **County Line Limited, L.L.C.**,
Cleveland, Ohio

[**] Term: **14 Years**

[21] Appl. No.: **13,662**

[22] Filed: **Sep. 29, 1993**

Related U.S. Application Data

[63] Continuation-in-part of Ser. No. 931,934, Aug. 18,
1992, abandoned.

[52] U.S. Cl. **D30/124**

[58] Field of Search 119/23, 52.2, 52.3,
119/77, 57.8, 57.9; D30/121, 124-128,
129-130, 161

[56] References Cited

U.S. PATENT DOCUMENTS

76,648	4/1868	Miller	119/23
D. 215,607	10/1969	Whiteside	D30/125
D. 283,892	5/1986	Cutler	D14/137
D. 289,210	4/1987	Tucker et al.	D30/125
D. 310,218	8/1990	Murphy	D14/124
D. 310,664	9/1990	Murphy	D14/137
D. 328,370	7/1992	Embree	D30/124
D. 328,655	8/1992	Embree	D30/124
D. 335,006	4/1993	Blasbalg	D30/127
1,634,763	7/1927	Troski	119/23
2,344,367	3/1944	Pueschel	119/52.3
3,306,990	2/1967	Walker	381/168
3,653,361	4/1972	Holliday	119/57.8
3,696,792	10/1972	Bruhns	119/23
3,792,685	2/1974	Wiener	119/23

3,913,527	10/1975	Kilham	119/77
4,030,451	6/1977	Miller	119/57.9
4,102,308	7/1978	Kilham	119/52.3
4,259,927	4/1981	Clarke	119/57.9
4,632,061	12/1986	Tucker et al.	119/57.8
4,811,694	3/1989	Holmquist	119/52.2
4,821,681	4/1989	Tucker	119/51.01
4,947,797	8/1990	Lawrence, Jr.	119/52.2
5,033,411	7/1991	Brucker	119/52.1
5,040,491	8/1991	Yancy	119/57.8
5,062,388	11/1991	Kilham	119/52.2
5,168,830	12/1992	Deglis	119/23

OTHER PUBLICATIONS

Rubbermaid Inc., product sheet; Jan. 1988; No. 3416-Bird Feeder Gazebo.

Woodworking by Hasbuck; date bk. ordered Jul. 1, 1961; p. 339; FIG. 1133 Hexagonal Pale Cote.

Primary Examiner—Cathy Anne MacCormac

Attorney, Agent, or Firm—Calfee, Halter & Griswold

[57] CLAIM

The ornamental design for a bird feeder, as shown.

DESCRIPTION

FIG. 1 is a front perspective view of a bird feeder showing our new design, the rear being identical;

FIG. 2 is a top plan view of the bird feeder illustrated in FIGS. 1, 3, 4, 5 and 6;

FIG. 3 is a front perspective view of a second embodiment of our new design, the rear being identical;

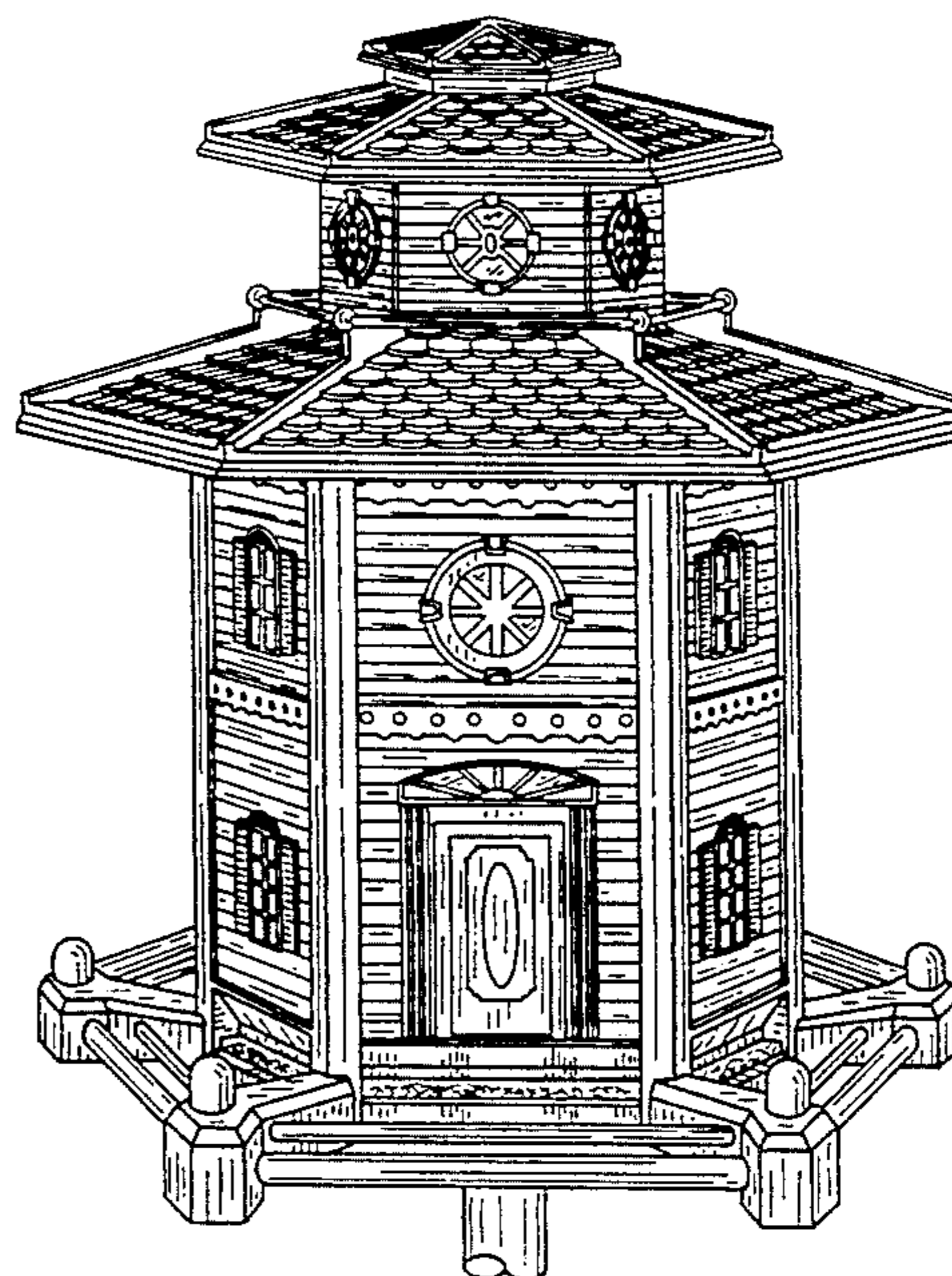
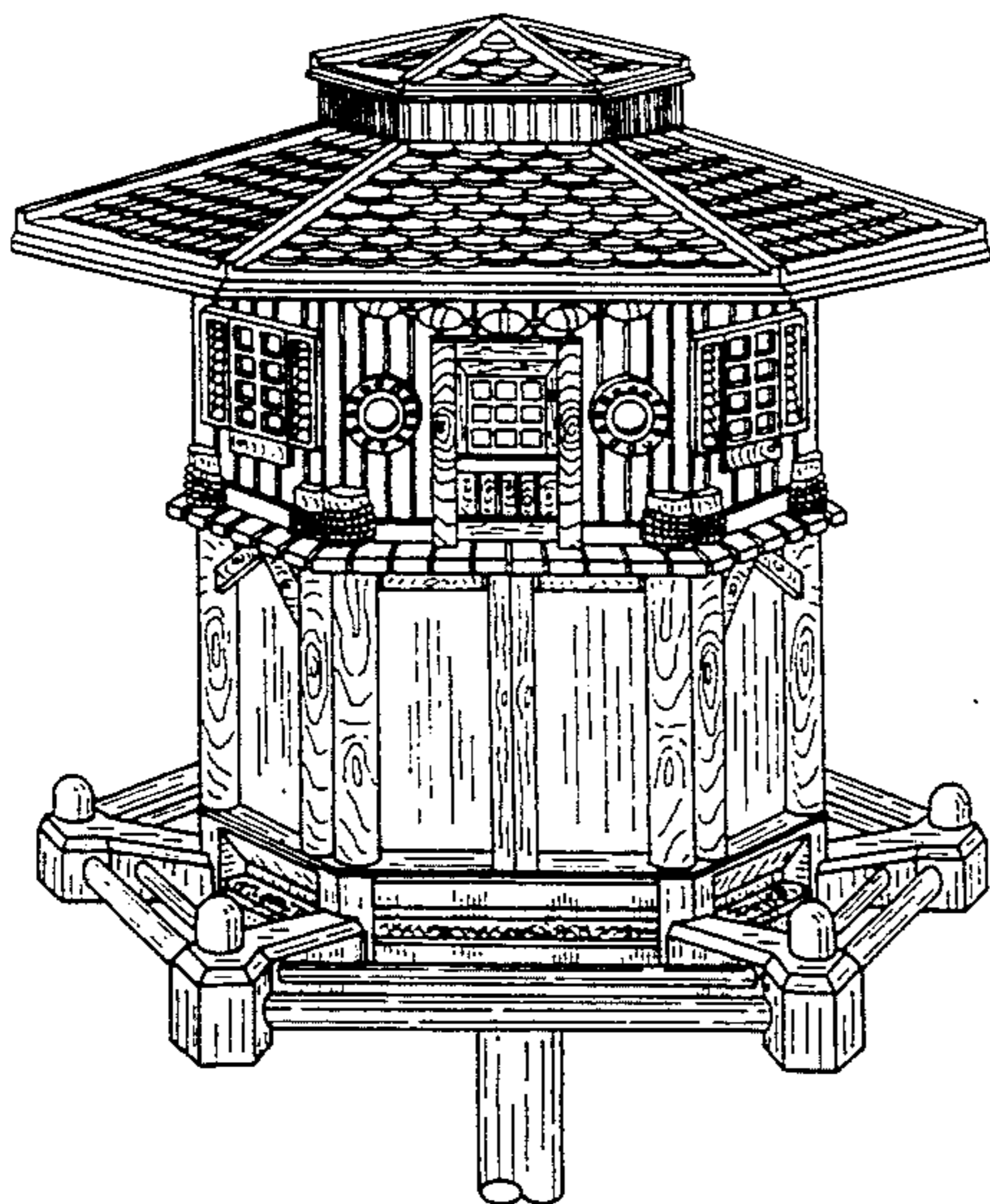
FIG. 4 is a front perspective view of a third embodiment of our new design, the rear being identical;

FIG. 5 is a front perspective view of a fourth embodiment of our new design, the rear being identical;

FIG. 6 is a front perspective view of a fifth embodiment of our new design, the rear being identical;

FIG. 7 is a front perspective view of a sixth embodiment of our new design, the rear being identical; and,

FIG. 8 is a top plan view of the bird feeder of FIG. 7.



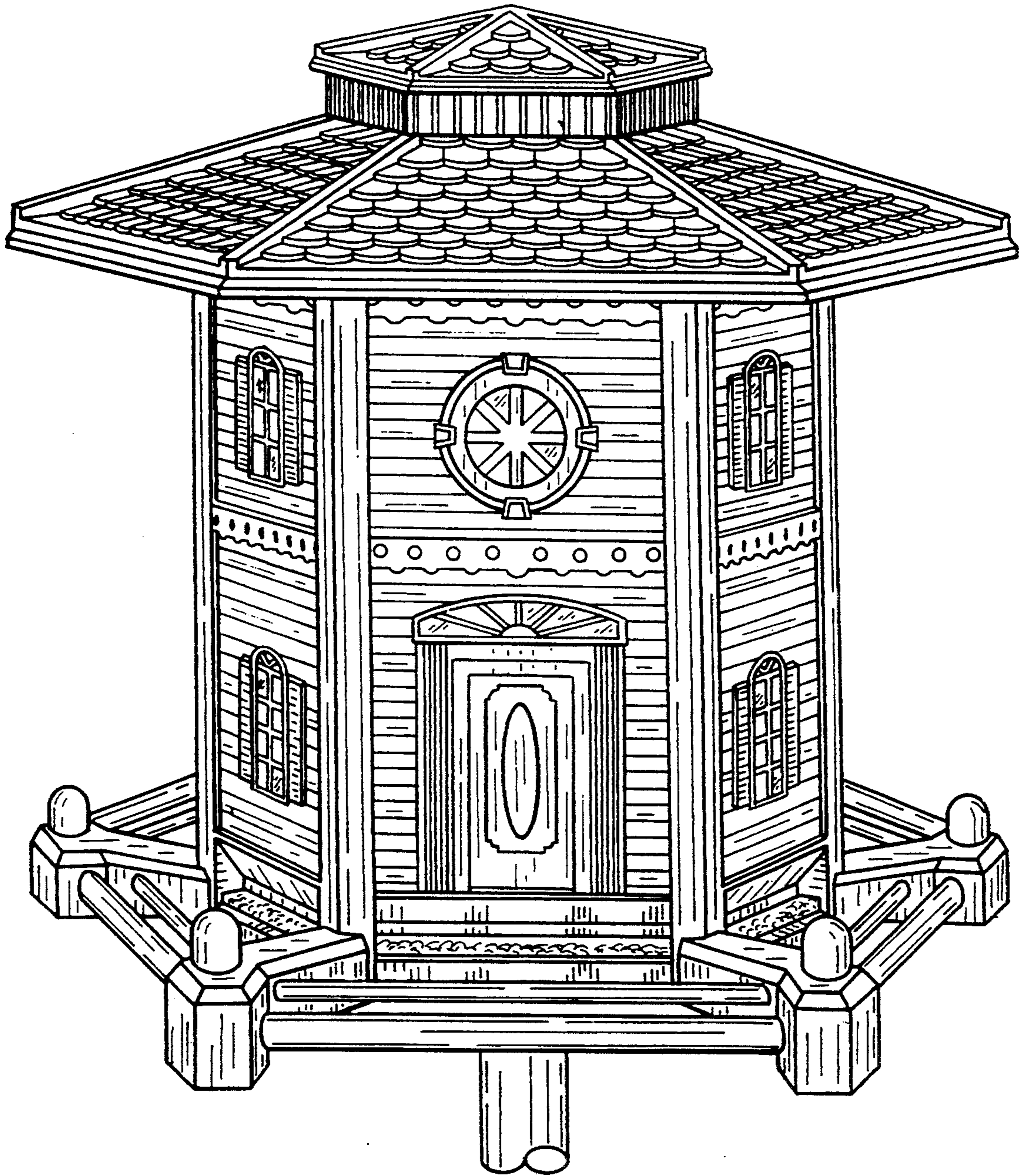


FIG. 1

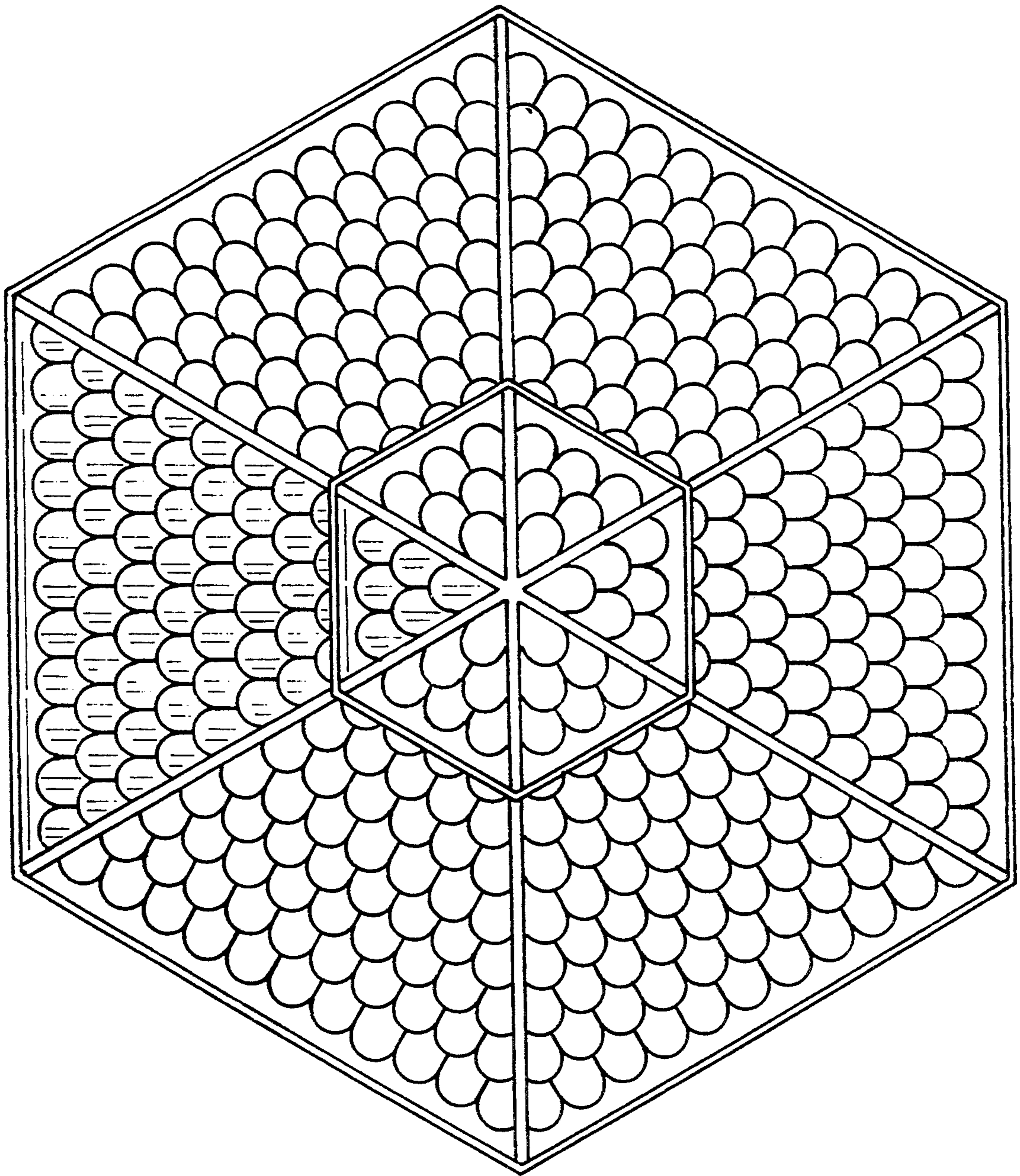


FIG. 2

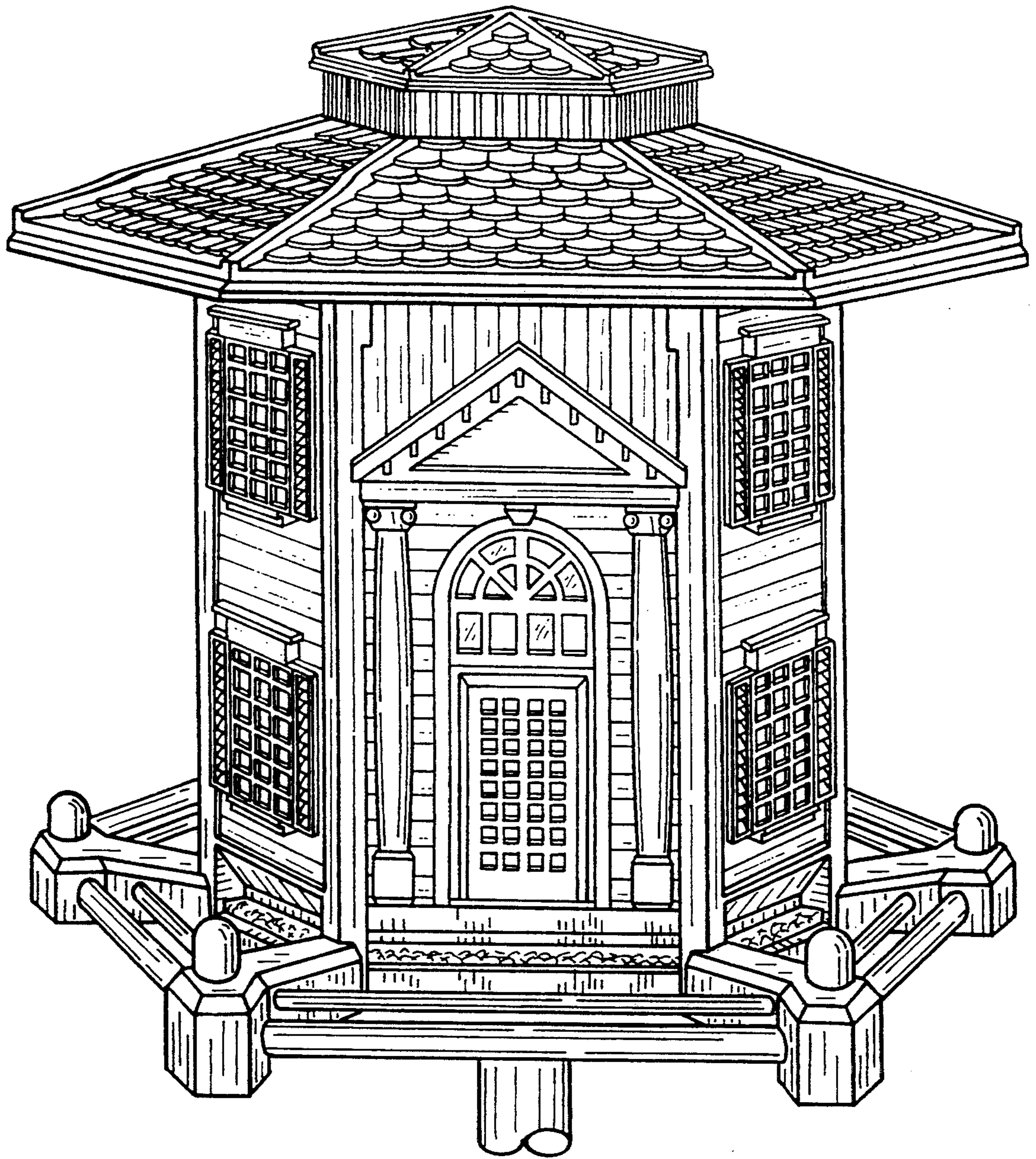


FIG. 3

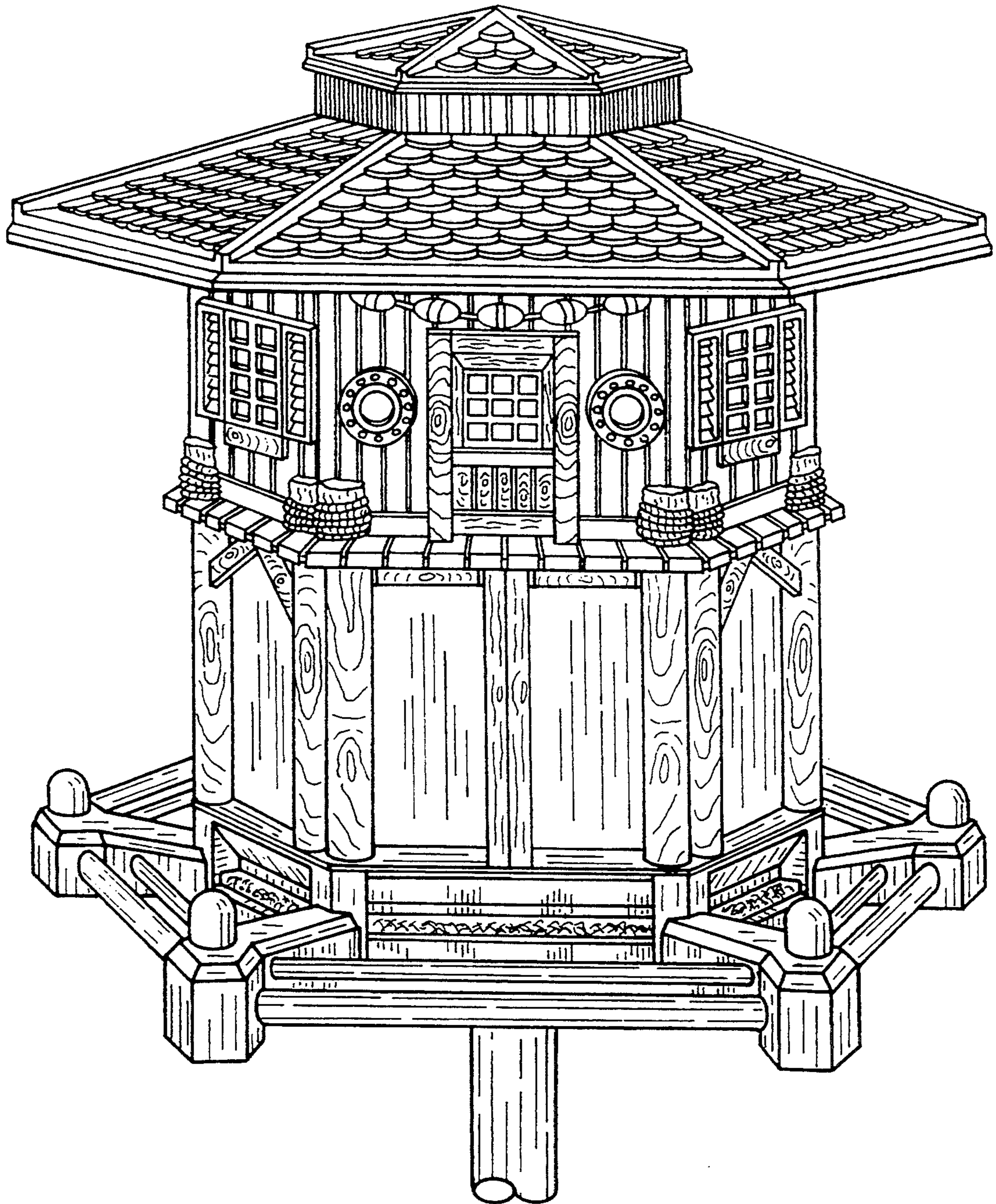


FIG. 4

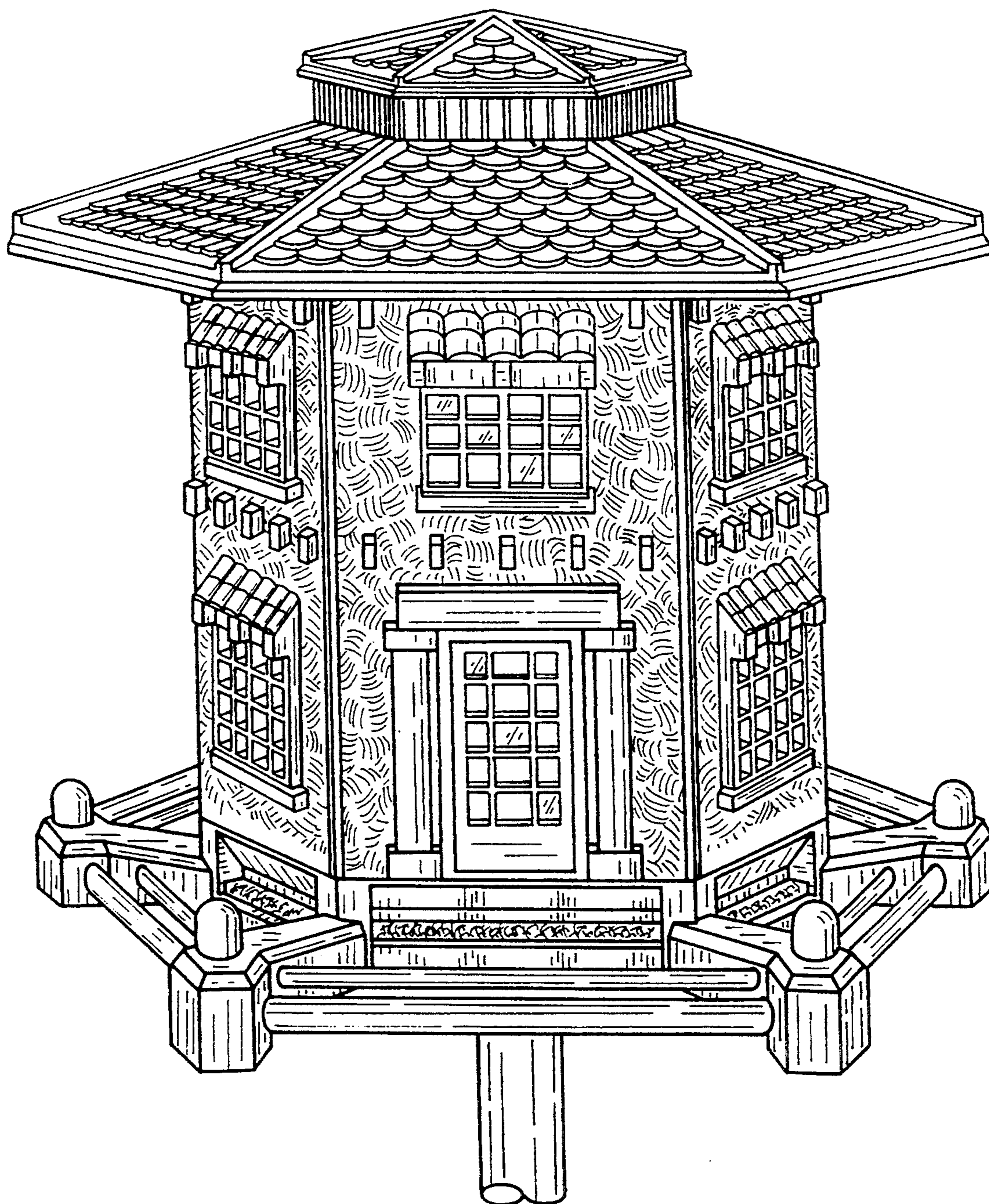


FIG. 5

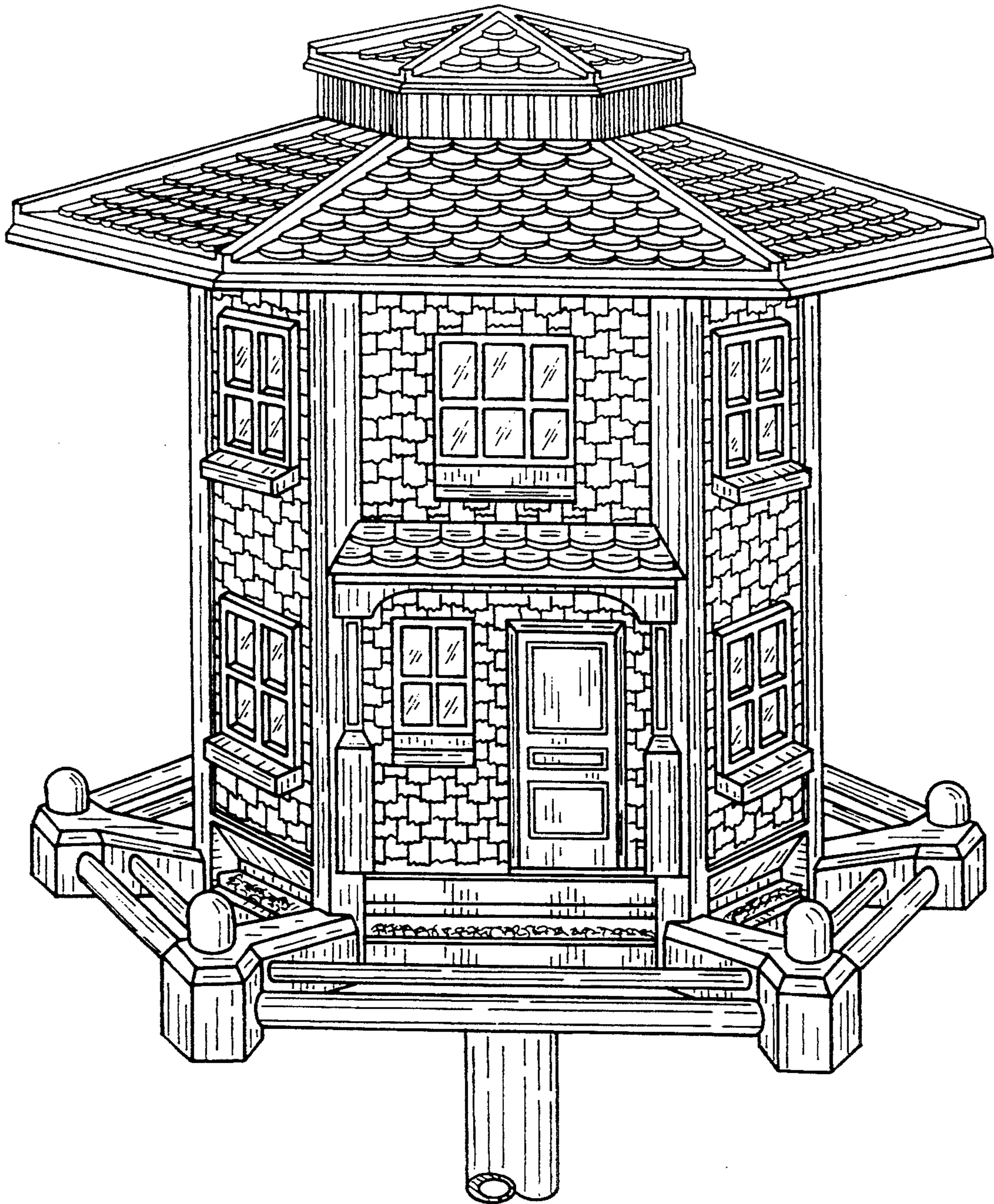


FIG. 6

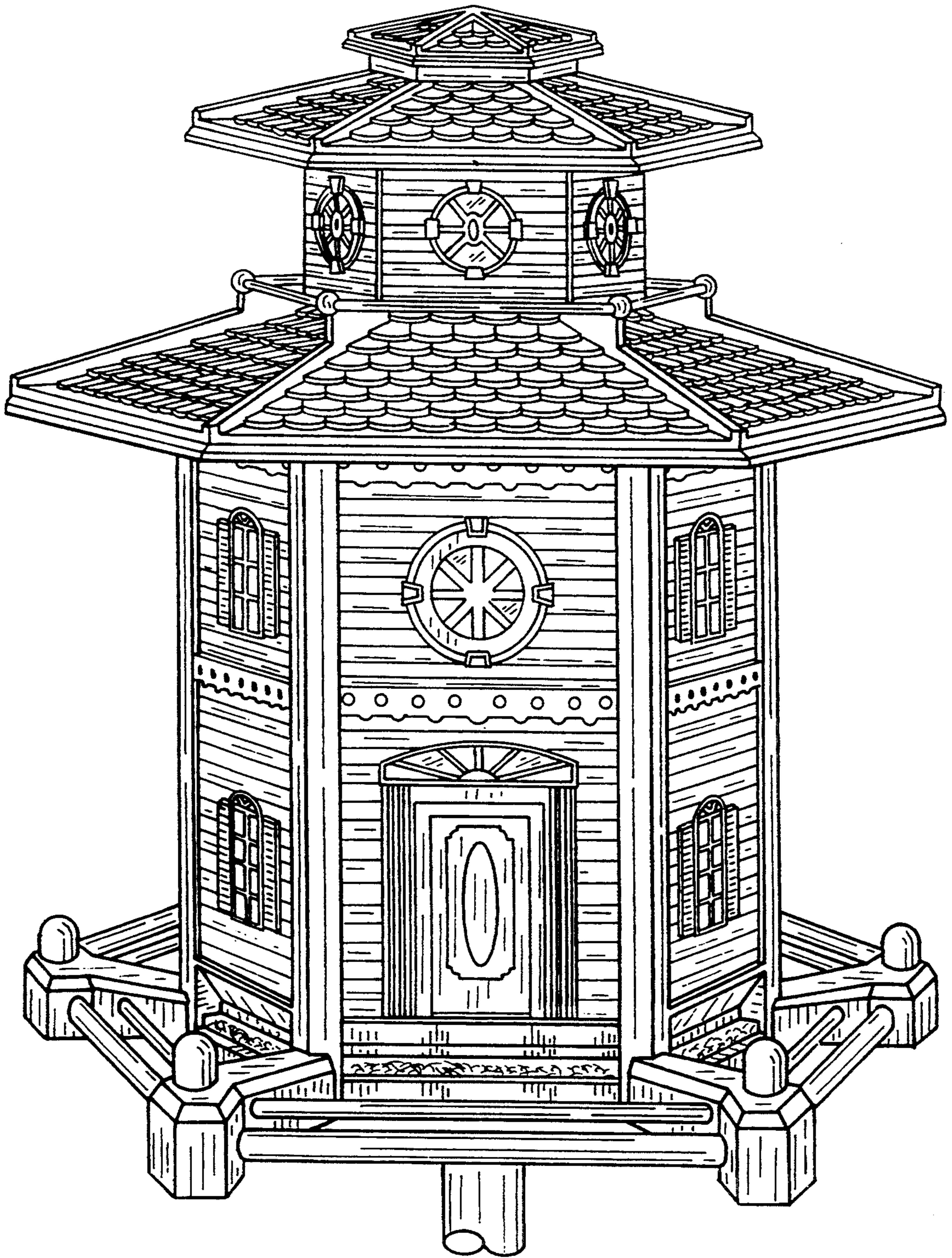


FIG. 7

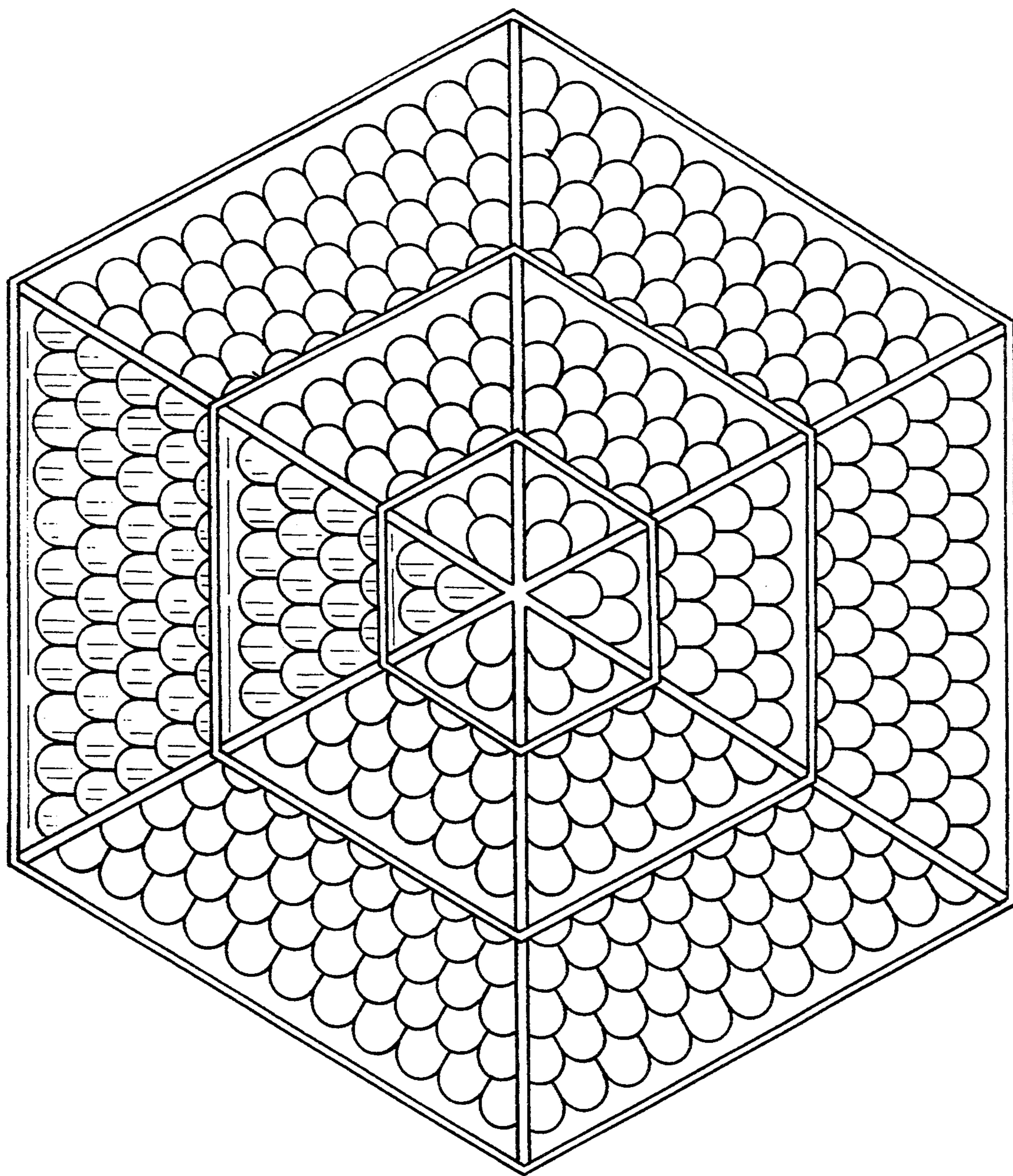


FIG. 8