



US00D361871S

United States Patent [19]

[11] Patent Number: **Des. 361,871**

Ichikawa

[45] Date of Patent: **** Aug. 29, 1995**

[54] **AQUARIUM TANK**

[75] Inventor: **Minoru Ichikawa, Tokyo, Japan**

[73] Assignee: **Nisso Industry Co., Ltd., Tokyo, Japan**

[**] Term: **14 Years**

[21] Appl. No.: **16,240**

[22] Filed: **Dec. 10, 1993**

[52] U.S. Cl. **D30/101**

[58] Field of Search 119/269, 245, 248, 267, 119/265, 266, 246, 248; D30/101, 104, 106, 107; D11/145

| | | | |
|----------|---------|----------------------|---------|
| 60-34403 | 8/1985 | Japan . | |
| 60-34404 | 8/1985 | Japan . | |
| 60-34405 | 8/1985 | Japan . | |
| 61-8076 | 3/1986 | Japan . | |
| 61-8077 | 3/1986 | Japan . | |
| 63-31001 | 8/1988 | Japan . | |
| 1-33847 | 9/1989 | Japan . | |
| 2-39818 | 11/1990 | Japan . | |
| 2-39819 | 11/1990 | Japan . | |
| 6007865 | 1/1977 | Netherlands | 119/245 |
| 1419411 | 12/1975 | United Kingdom | 119/269 |

OTHER PUBLICATIONS

Rain Forest Aquarium brochure.

Primary Examiner—Cathy Anne MacCormac
Attorney, Agent, or Firm—Oblon, Spivak, McClelland, Maier & Neustadt

[56] References Cited

U.S. PATENT DOCUMENTS

| | | | |
|------------|---------|-------------------------|---------|
| D. 236,632 | 9/1975 | Shalom | D30/101 |
| 2,491,853 | 12/1949 | Feldman | D30/101 |
| 2,715,794 | 8/1955 | Atkinson | 47/69 |
| 2,792,811 | 5/1957 | Chiaro | 119/269 |
| 3,721,366 | 3/1973 | Battershall et al. | 119/269 |
| 4,191,129 | 3/1980 | Rinny | 119/269 |
| 4,889,973 | 12/1989 | Farinacci et al. | 119/245 |
| 5,009,190 | 4/1991 | Gordon | 119/265 |
| 5,299,424 | 4/1994 | Woodson et al. | 119/245 |

FOREIGN PATENT DOCUMENTS

| | | |
|----------|--------|---------|
| 59-18460 | 5/1984 | Japan . |
| 59-18461 | 5/1984 | Japan . |
| 60-31014 | 7/1985 | Japan . |
| 60-31016 | 7/1985 | Japan . |
| 60-34401 | 8/1985 | Japan . |
| 60-34402 | 8/1985 | Japan . |

[57] CLAIM

The ornamental design for an aquarium tank, as shown and described.

DESCRIPTION

FIG. 1 is a top and right front perspective view of an aquarium tank, showing my new design;
 FIG. 2 is a front elevational view thereof;
 FIG. 3 is a rear elevational view thereof;
 FIG. 4 is a right side elevational view thereof, the opposite side being a mirror image of the side shown;
 FIG. 5 is a top plan view thereof;
 FIG. 6 is a bottom plan view thereof;
 FIG. 7 is a cross-sectional view taken along line 7—7 in FIG. 2; and,
 FIG. 8 is a cross-sectional view taken along line 8—8 in FIG. 2.

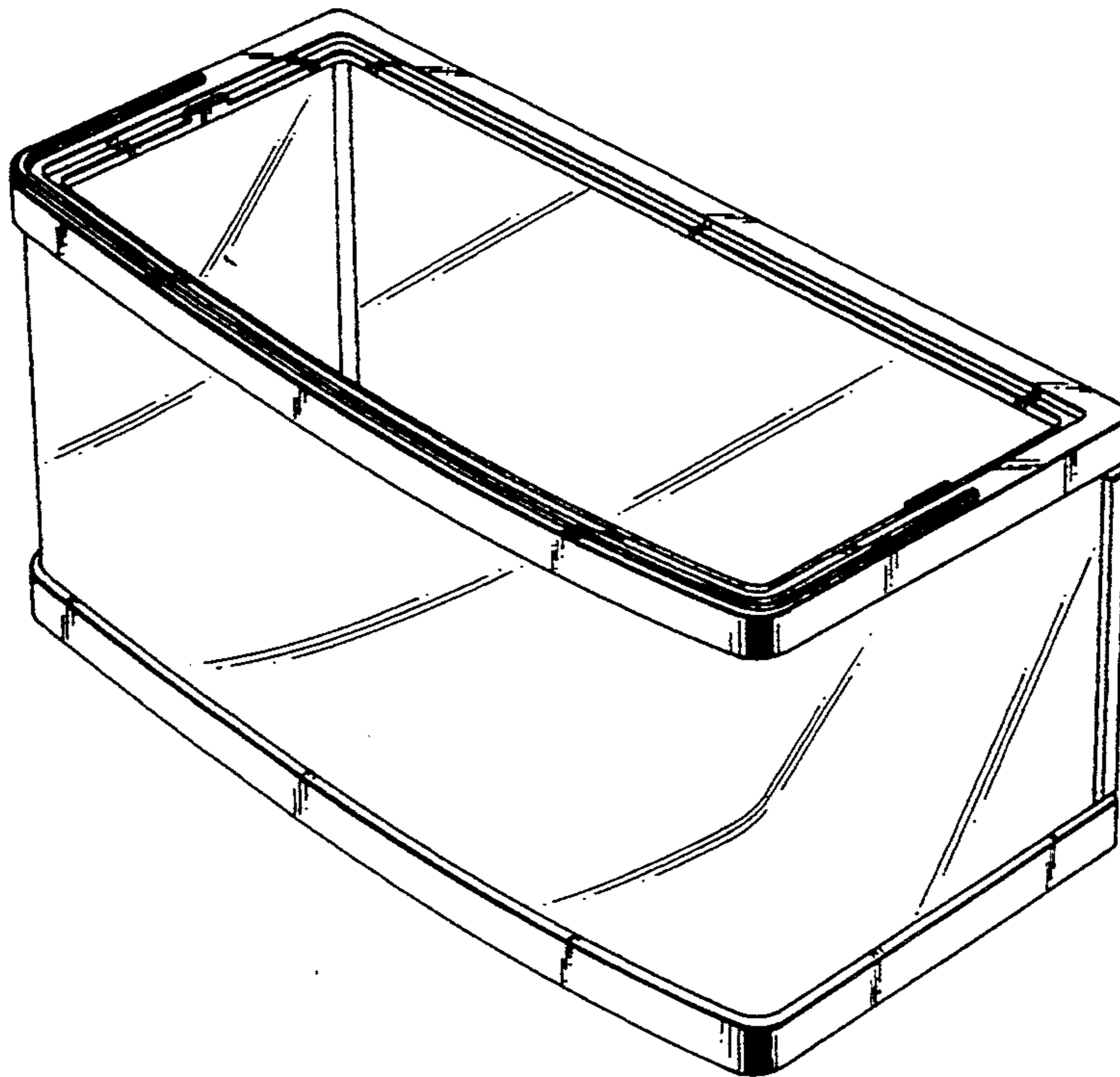


FIG. 1

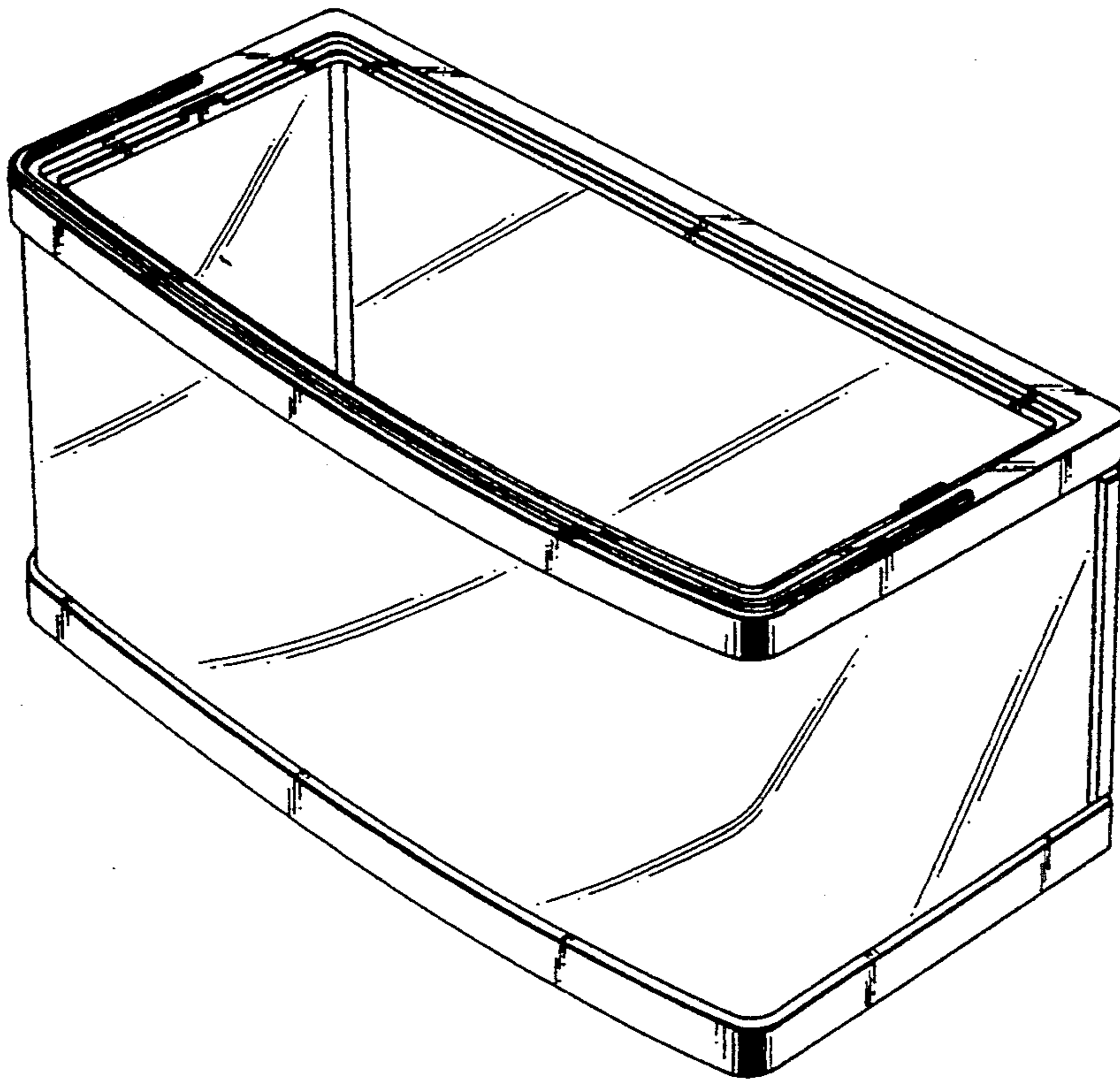


FIG. 2

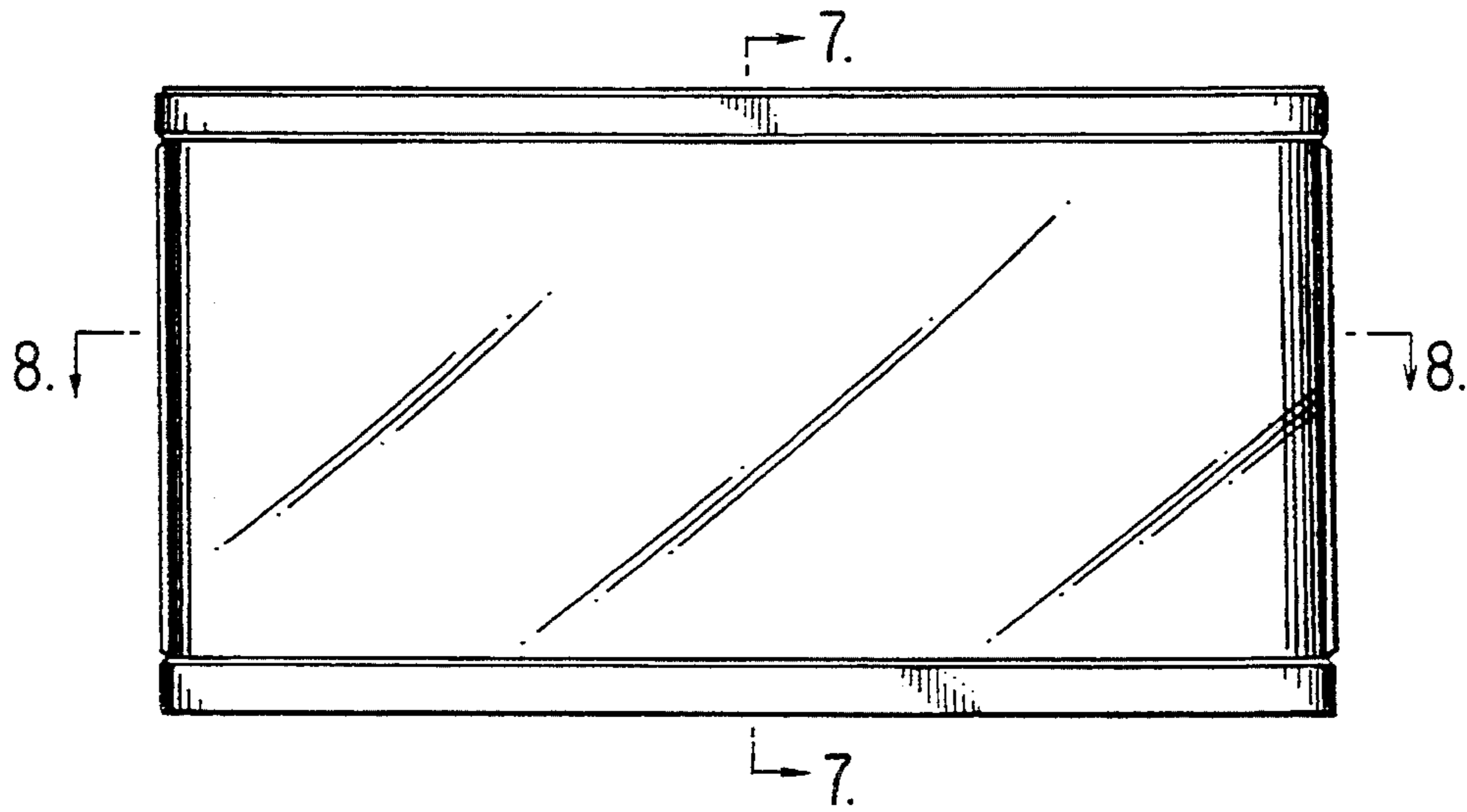


FIG. 3

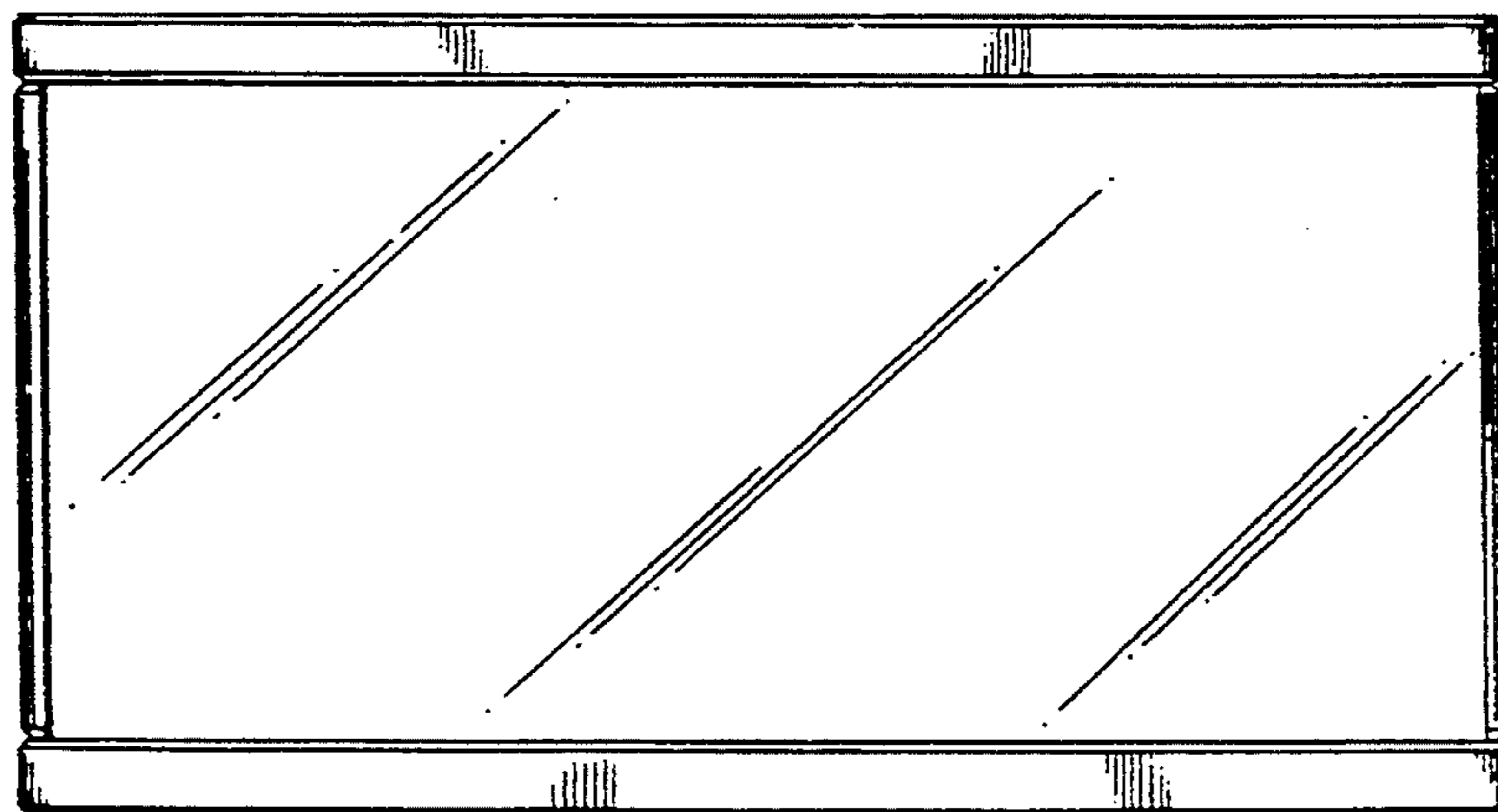


FIG. 4

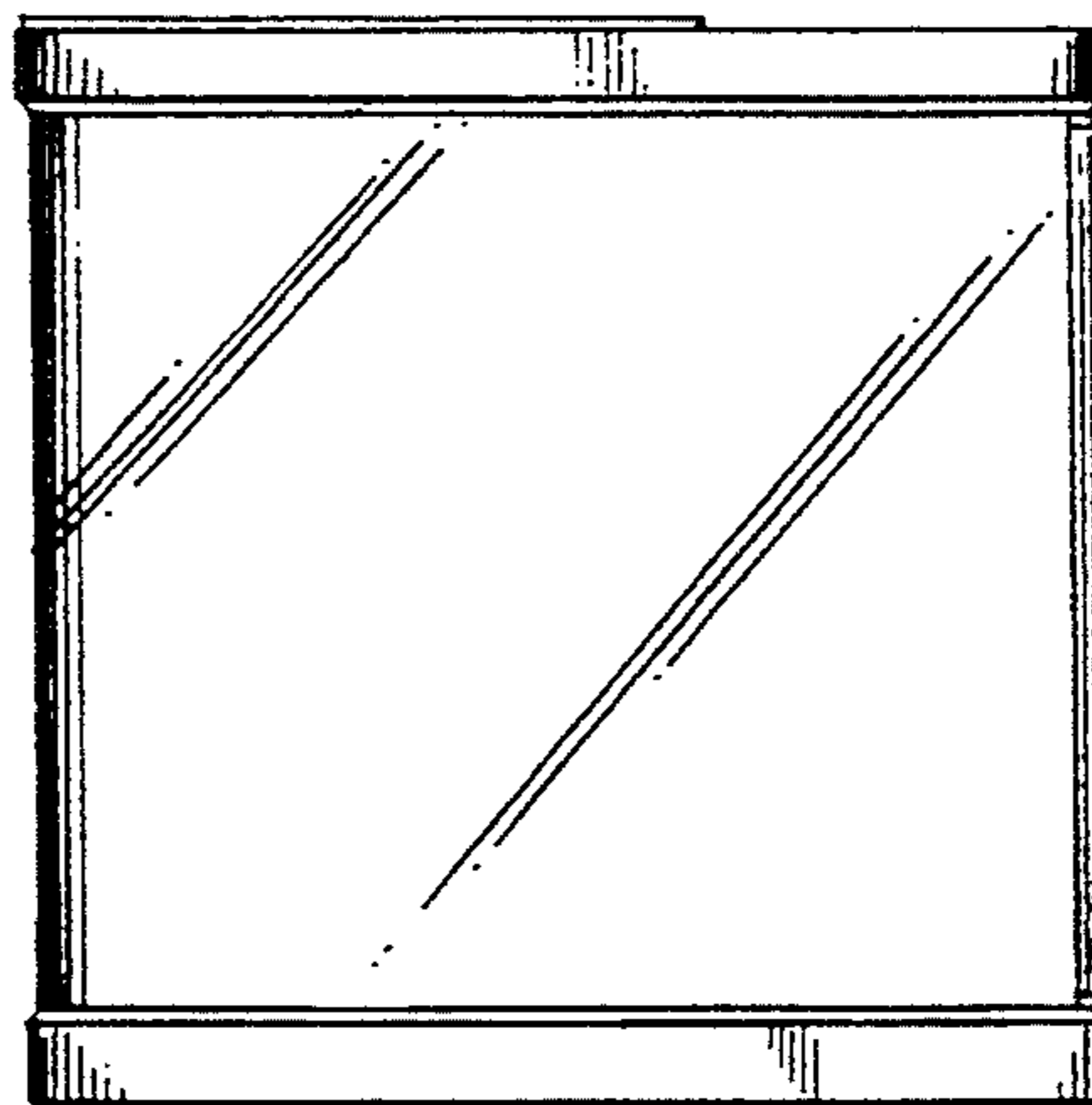


FIG. 5

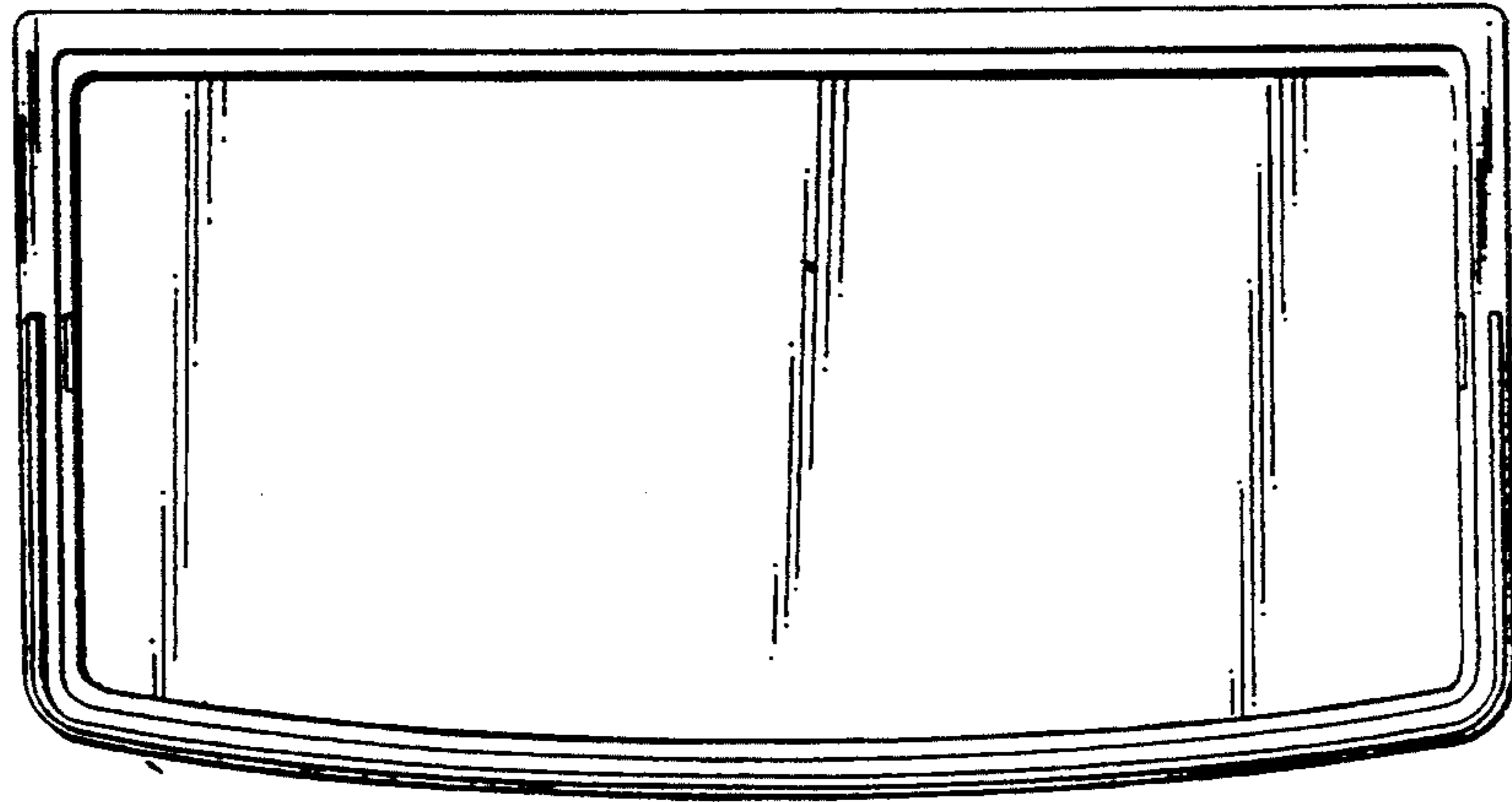


FIG. 6

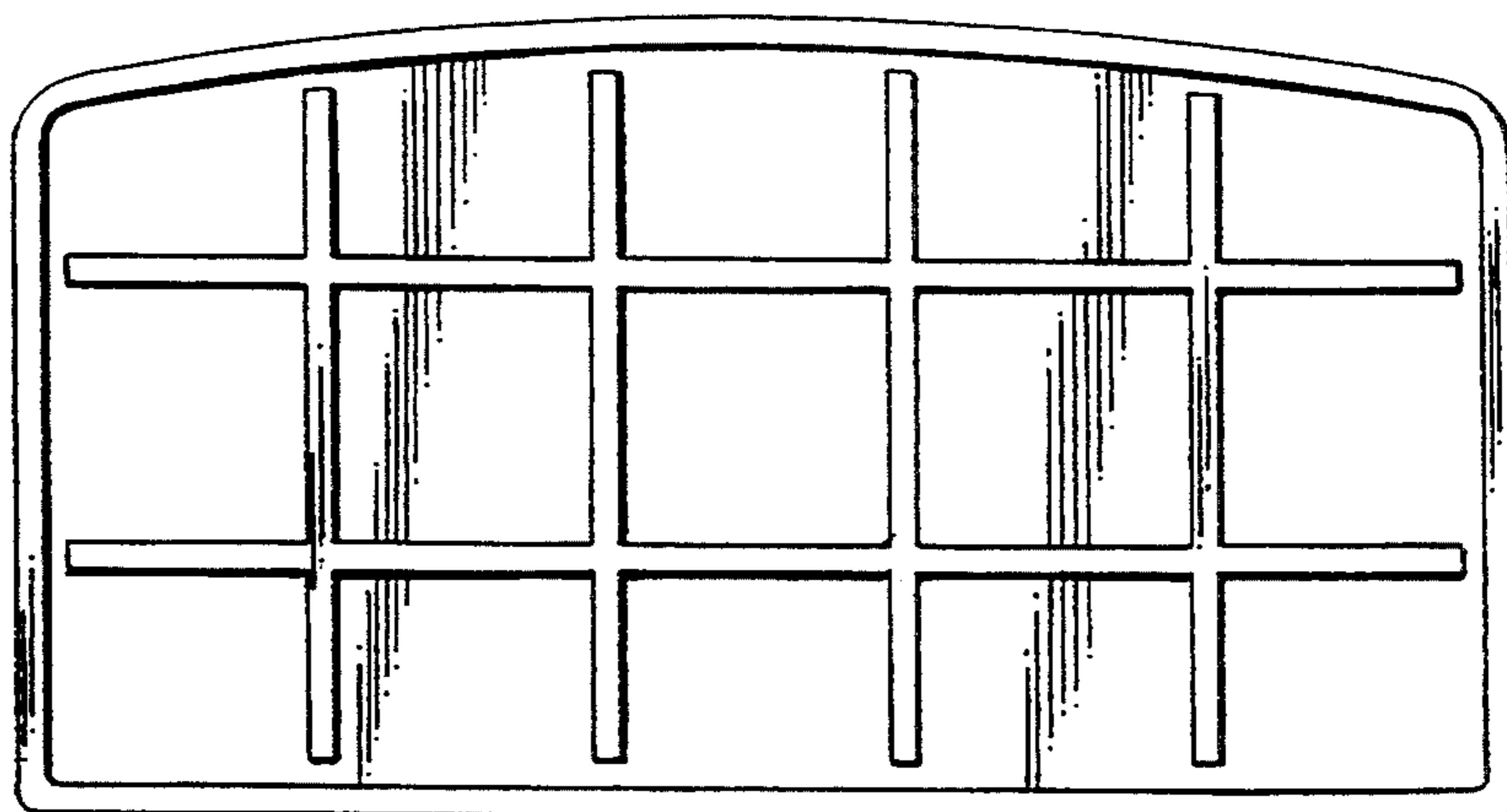


FIG. 7

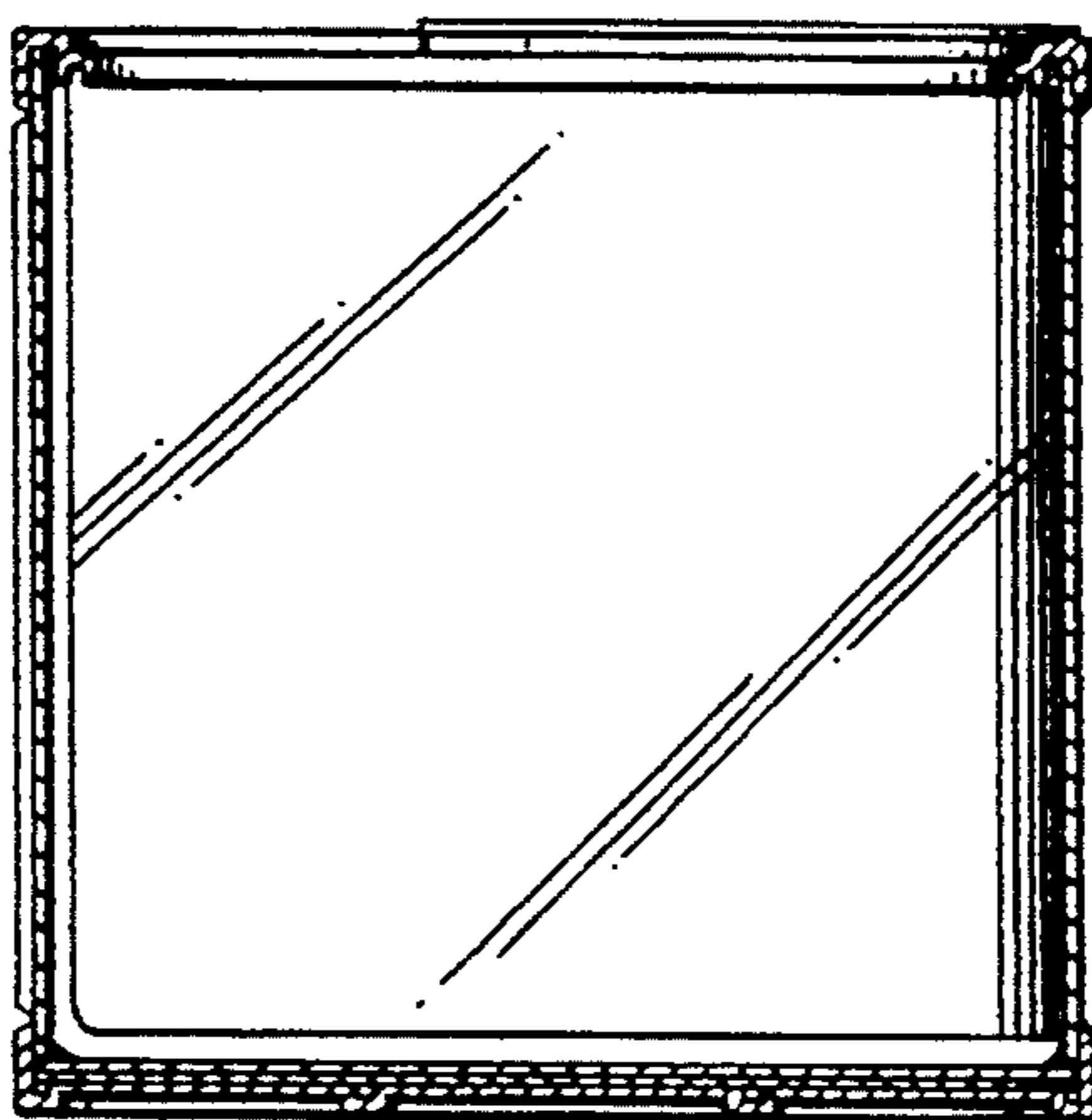
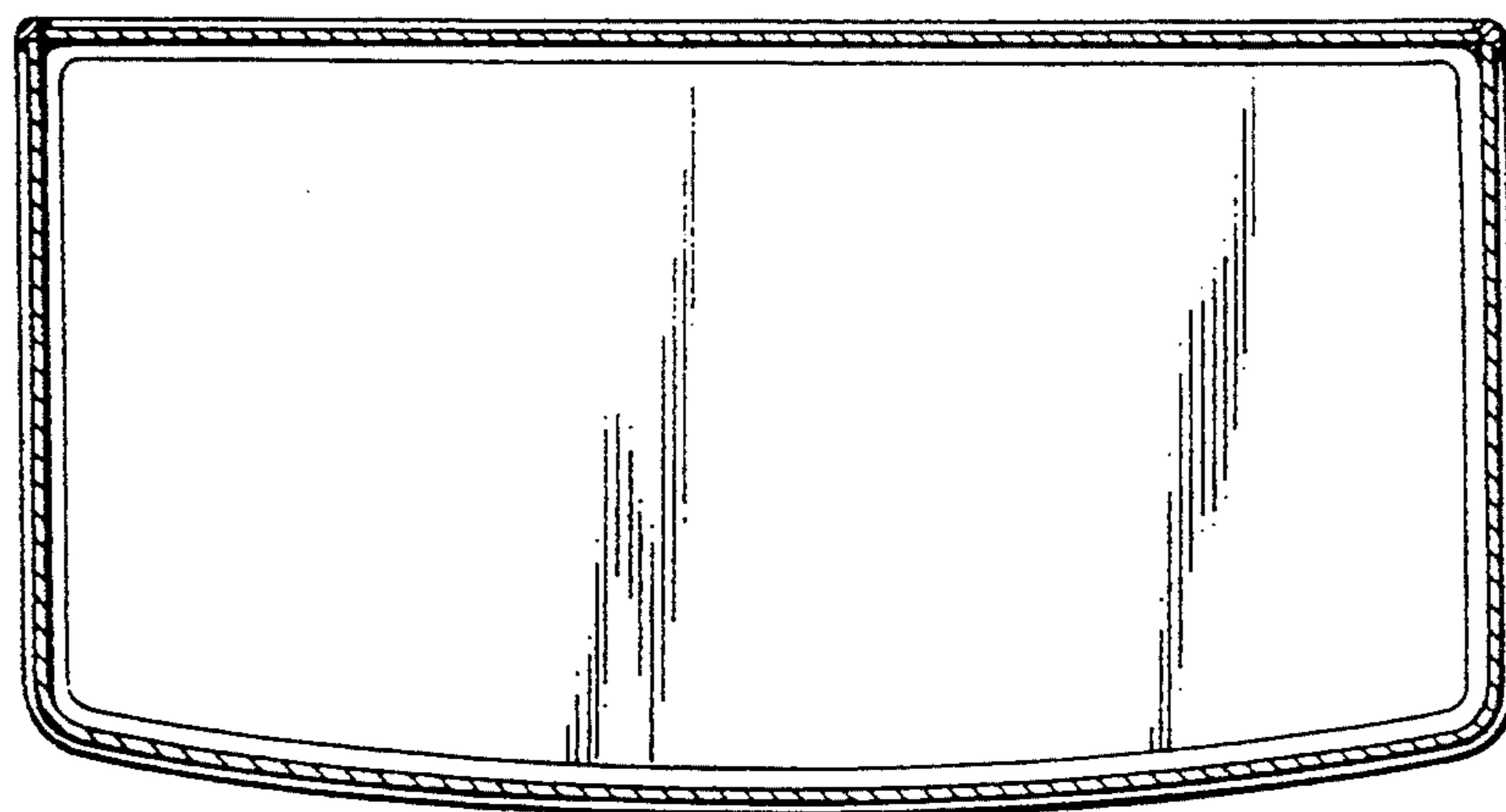


FIG. 8



UNITED STATES PATENT AND TRADEMARK OFFICE
CERTIFICATE OF CORRECTION

PATENT NO. : Des. 361,871

Page 1 of 3

DATED : August 29, 1995

INVENTOR(S) : Minoru Ichikawa

It is certified that error appears in the above-identified patent and that said Letters Patent is hereby corrected as shown below:

The title page showing the illustrative figure should be deleted to be replaced with the attached title page.

In the Drawings:

Sheet 1 of the drawings, consisting of Fig. 1, should be deleted to be replaced with Fig. 1, as shown on the attached page.

Signed and Sealed this
Fourteenth Day of May, 1996

Attest:



BRUCE LEHMAN

Attesting Officer

Commissioner of Patents and Trademarks

United States Patent [19]
Ichikawa

[11] **Patent Number: Des. 361,871**
 [45] **Date of Patent: ** Aug. 29, 1995**

[54] **AQUARIUM TANK**
 [75] **Inventor: Minoru Ichikawa, Tokyo, Japan**
 [73] **Assignee: Nisso Industry Co., Ltd., Tokyo, Japan**
 [**] **Term: 14 Years**
 [21] **Appl. No.: 16,240**
 [22] **Filed: Dec. 10, 1993**
 [52] **U.S. Cl. D30/101**
 [58] **Field of Search 119/269, 245, 248, 267, 119/265, 266, 246, 248; D30/101, 104, 106, 107; D11/145**

| | | | |
|----------|---------|----------------|---------------|
| 60-34403 | 8/1985 | Japan | . |
| 60-34404 | 8/1985 | Japan | . |
| 60-34405 | 8/1985 | Japan | . |
| 61-8076 | 3/1986 | Japan | . |
| 61-8077 | 3/1986 | Japan | . |
| 63-31001 | 8/1988 | Japan | . |
| 1-33847 | 9/1989 | Japan | . |
| 2-39818 | 11/1990 | Japan | . |
| 2-39819 | 11/1990 | Japan | . |
| 6007865 | 1/1977 | Netherlands | 119/245 |
| 1419411 | 12/1975 | United Kingdom | 119/269 |

OTHER PUBLICATIONS

Rain Forest Aquarium brochure.
Primary Examiner—Cathy Anne MacCormac
Attorney, Agent, or Firm—Obalon, Spivak, McClelland, Maier & Neustadt

[56] **References Cited**

U.S. PATENT DOCUMENTS

| | | | | |
|------------|---------|--------------------|-------|---------|
| D. 236,632 | 9/1975 | Shalom | | D30/101 |
| 2,491,853 | 12/1949 | Feldman | | D30/101 |
| 2,715,794 | 8/1955 | Atkinson | | 47/69 |
| 2,792,811 | 5/1957 | Chiaro | | 119/269 |
| 3,721,366 | 3/1973 | Battershall et al. | | 119/269 |
| 4,191,129 | 3/1980 | Rinny | | 119/269 |
| 4,889,973 | 12/1989 | Farinacci et al. | | 119/245 |
| 5,009,190 | 4/1991 | Gordon | | 119/265 |
| 5,299,424 | 4/1994 | Woodson et al. | | 119/245 |

FOREIGN PATENT DOCUMENTS

| | | | |
|----------|--------|-------|---|
| 59-18460 | 5/1984 | Japan | . |
| 59-18461 | 5/1984 | Japan | . |
| 60-31014 | 7/1985 | Japan | . |
| 60-31016 | 7/1985 | Japan | . |
| 60-34401 | 8/1985 | Japan | . |
| 60-34402 | 8/1985 | Japan | . |

[57] **CLAIM**

The ornamental design for an aquarium tank, as shown and described.

DESCRIPTION

FIG. 1 is a top and right front perspective view of an aquarium tank, showing my new design;
 FIG. 2 is a front elevational view thereof;
 FIG. 3 is a rear elevational view thereof;
 FIG. 4 is a right side elevational view thereof, the opposite side being a mirror image of the side shown;
 FIG. 5 is a top plan view thereof;
 FIG. 6 is a bottom plan view thereof;
 FIG. 7 is a cross-sectional view taken along line 7—7 in FIG. 2; and,
 FIG. 8 is a cross-sectional view taken along line 8—8 in FIG. 2.

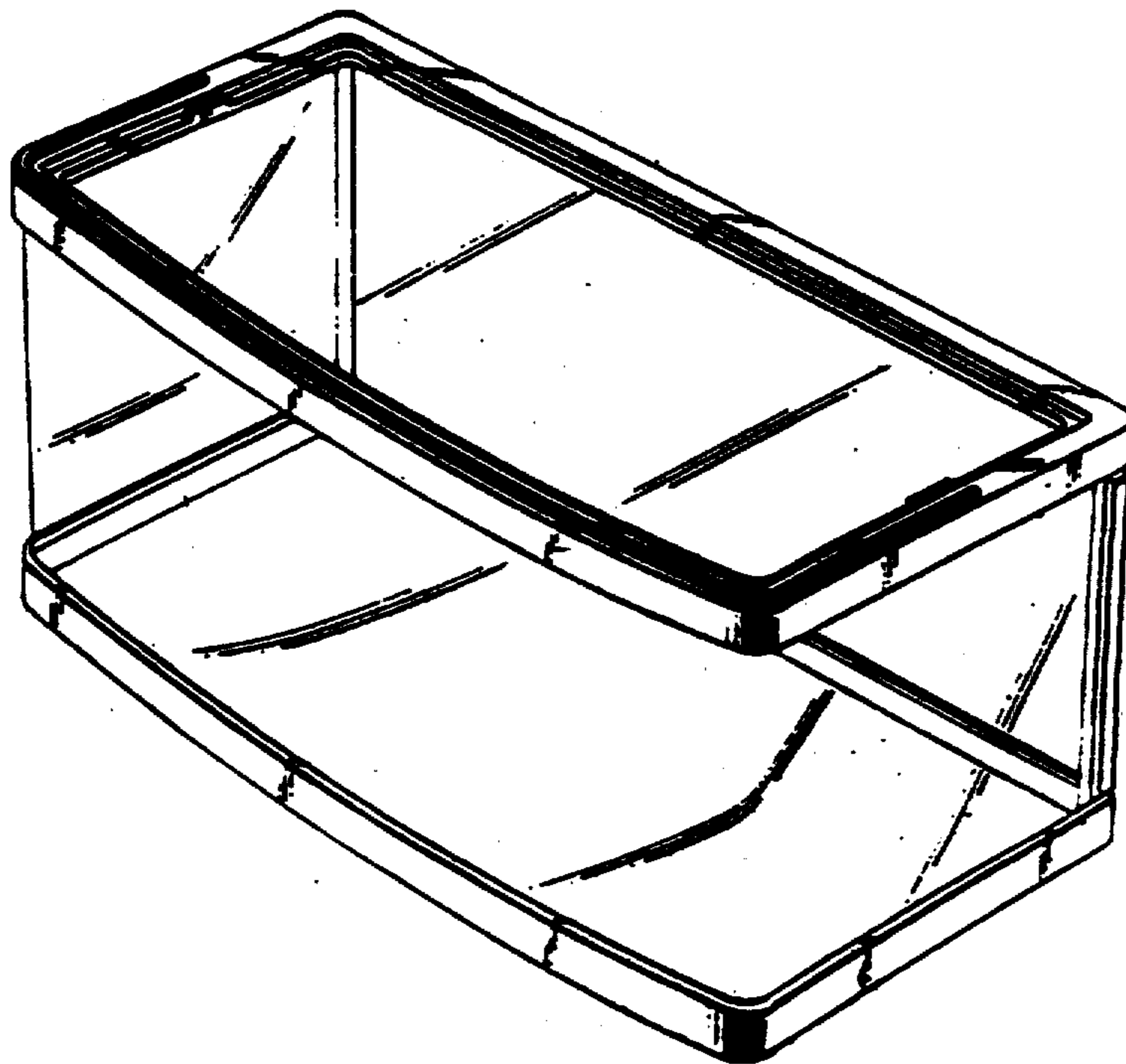


FIG.1

