



US00D361870S

United States Patent [19]

[11] Patent Number: **Des. 361,870**

Ichikawa

[45] Date of Patent: **** Aug. 29, 1995**

[54] **AQUARIUM TANK**

[75] Inventor: **Minoru Ichikawa**, Tokyo, Japan

[73] Assignee: **Nisso Industry Co., Ltd.**, Tokyo, Japan

[*] Notice: The portion of the term of this patent subsequent to Aug. 15, 2009 has been disclaimed.

[**] Term: **14 Years**

[21] Appl. No.: **16,227**

[22] Filed: **Dec. 10, 1993**

[52] U.S. Cl. **D30/101**

[58] Field of Search 119/269, 245, 248, 267, 119/265, 266, 246, 248; D30/101, 104, 106, 107; D11/145; 47/69 T

60-31014 7/1985 Japan .
 60-31016 7/1985 Japan .
 60-34401 8/1985 Japan .
 60-34402 8/1985 Japan .
 60-34403 8/1985 Japan .
 60-34404 8/1985 Japan .
 60-34405 8/1985 Japan .
 61-8076 3/1986 Japan .
 61-8077 3/1986 Japan .
 63-31001 8/1988 Japan .
 1-33847 9/1989 Japan .
 2-39818 11/1990 Japan .
 2-39819 11/1990 Japan .
 6007865 1/1977 Netherlands 119/245
 1419411 12/1975 United Kingdom 119/269

[56] **References Cited**

U.S. PATENT DOCUMENTS

D. 236,632 9/1975 Shalom D30/101
 2,491,853 12/1949 Feldman D30/101
 2,715,794 8/1955 Atkinson 47/69
 2,792,811 5/1957 Chiaro 119/269
 3,721,366 3/1973 Battershall et al. 119/269
 4,191,129 3/1980 Rinny 119/269
 4,889,973 12/1989 Farinacci et al. 119/245
 5,009,190 4/1991 Gordon 119/265
 5,299,424 4/1994 Woodson et al. 119/245

FOREIGN PATENT DOCUMENTS

59-18460 5/1984 Japan .
 59-18461 5/1984 Japan .

OTHER PUBLICATIONS

Rain Forest Aquarium brochure.

Primary Examiner—Cathy Anne MacCormac
Attorney, Agent, or Firm—Oblon, Spivak, McClelland, Maier & Neustadt

[57] **CLAIM**

The ornamental design for an aquarium tank, as shown and described.

DESCRIPTION

FIG. 1 is a top and right front perspective view of an aquarium tank, showing my new design;
 FIG. 2 is a front elevational view thereof;
 FIG. 3 is a rear elevational view thereof;
 FIG. 4 is a top plan view thereof;
 FIG. 5 is a bottom plan view thereof; and,
 FIG. 6 is a right side elevational view thereof, the opposite side being a mirror image of the side shown.

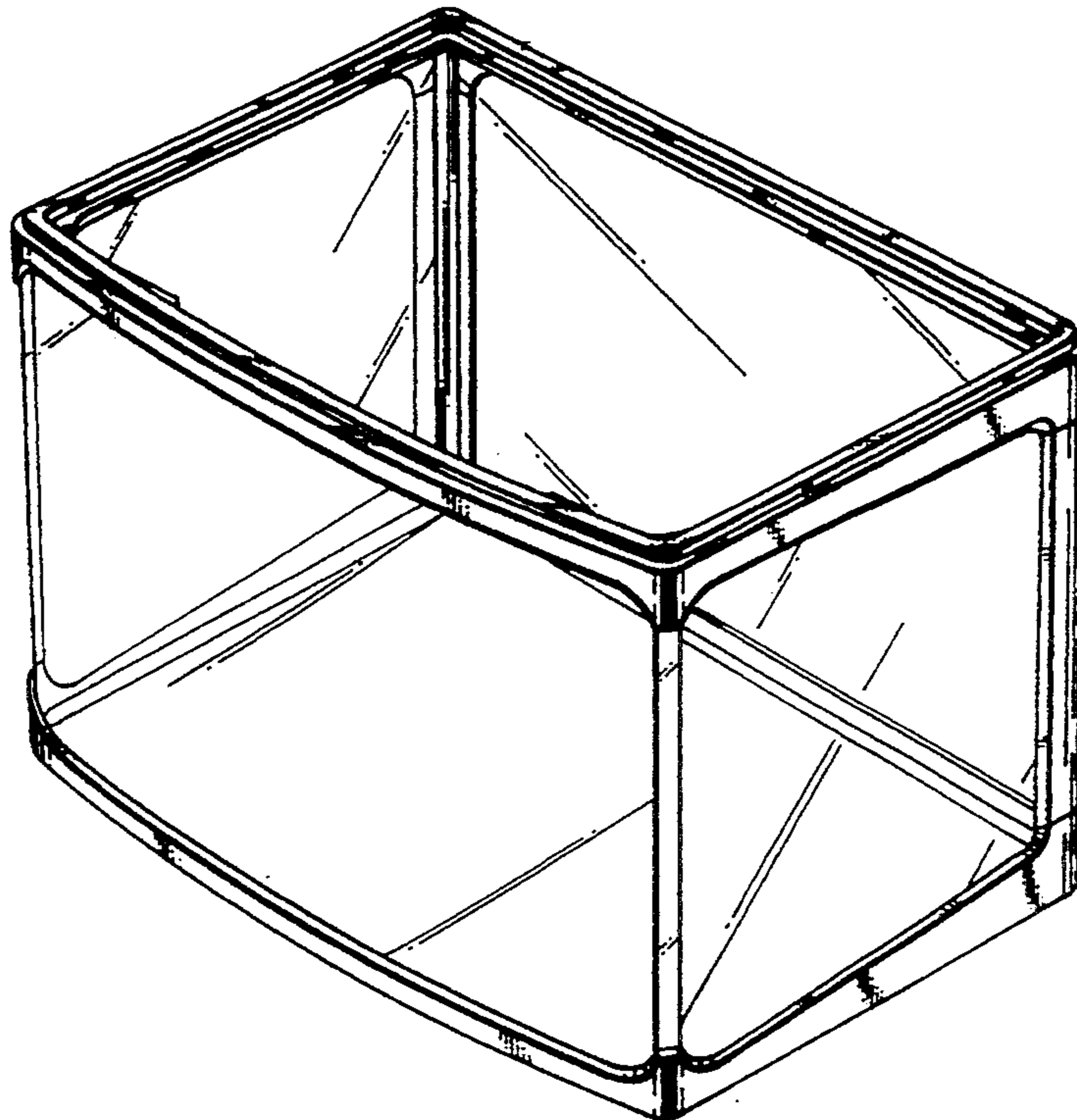


FIG. 1

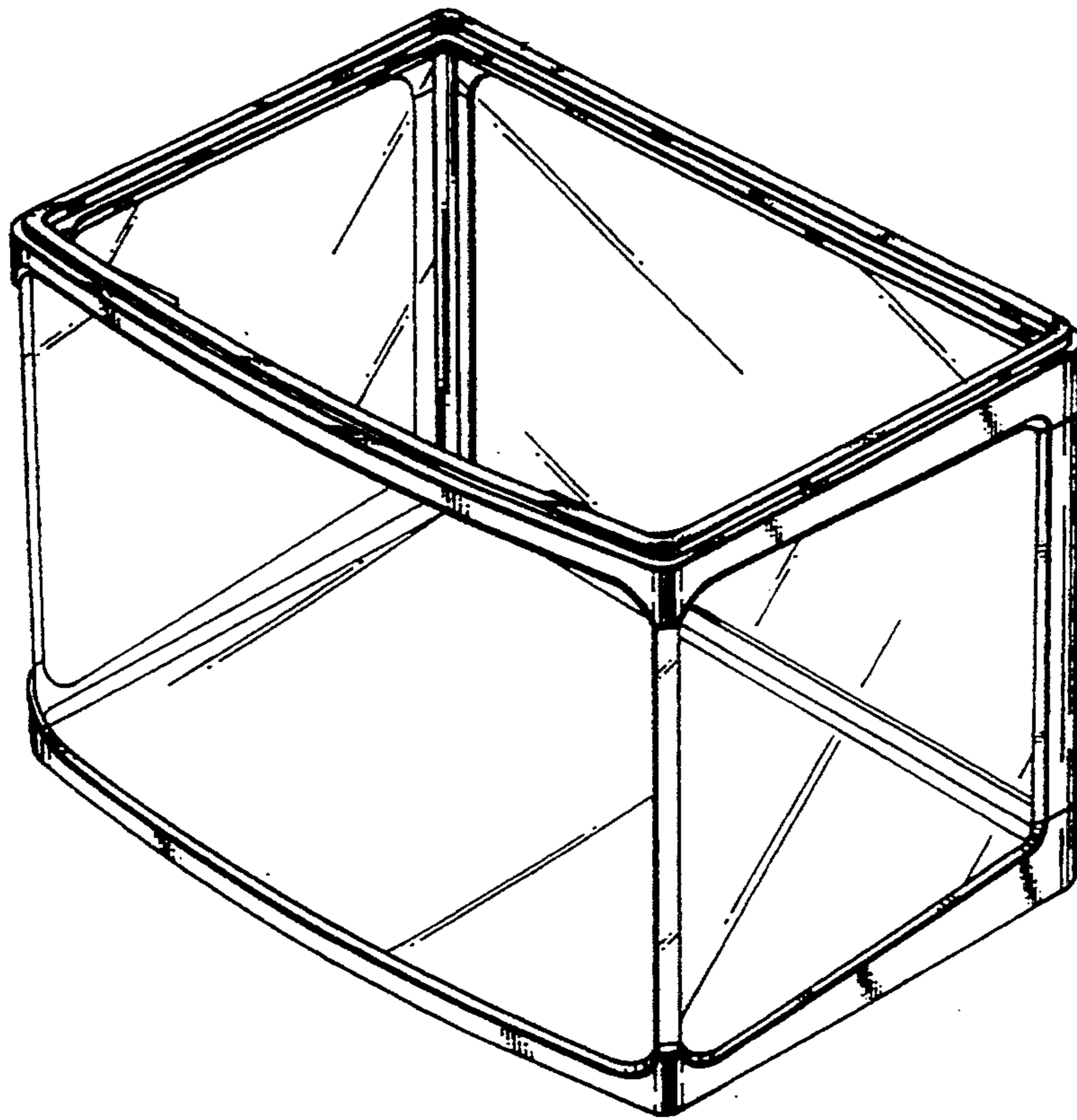


FIG. 2

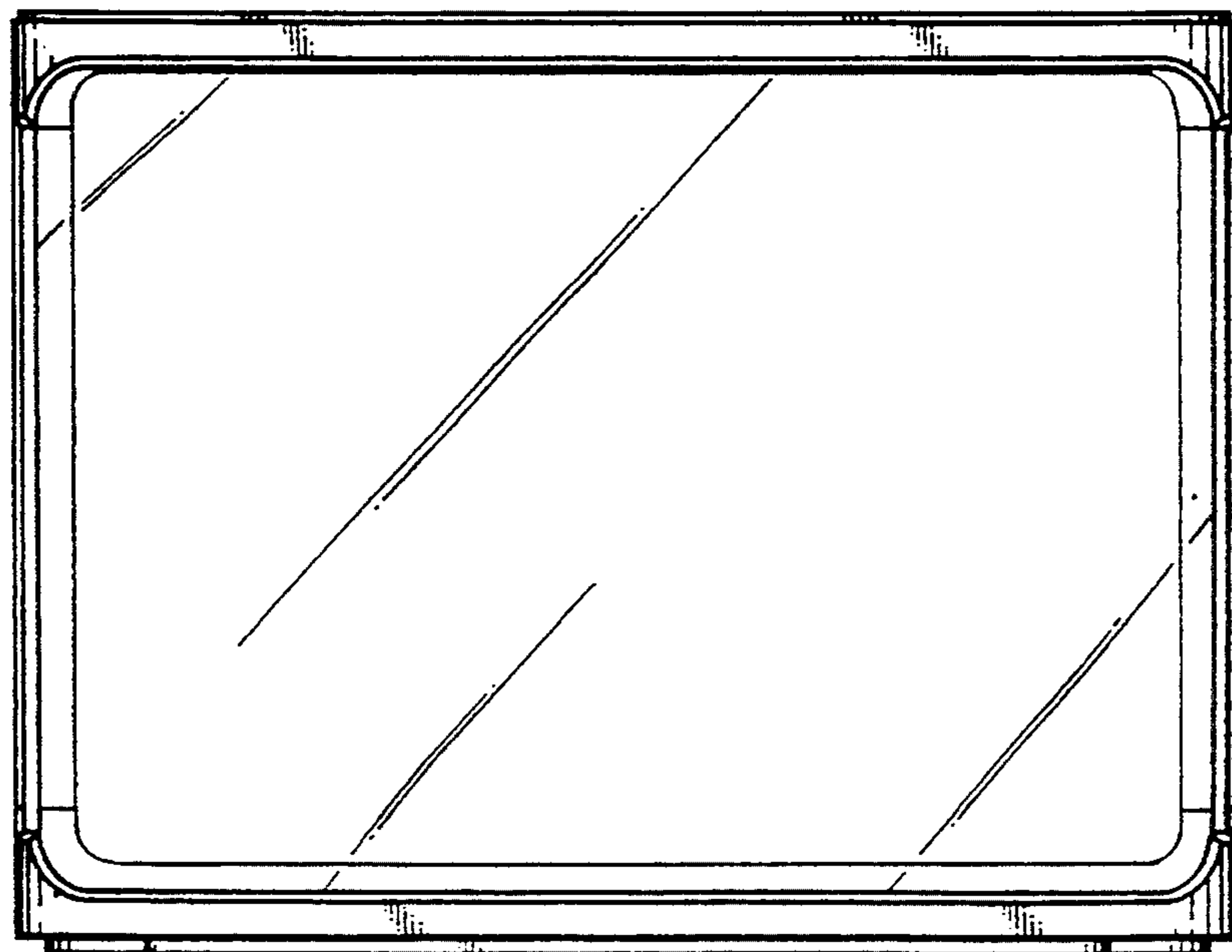


FIG. 3

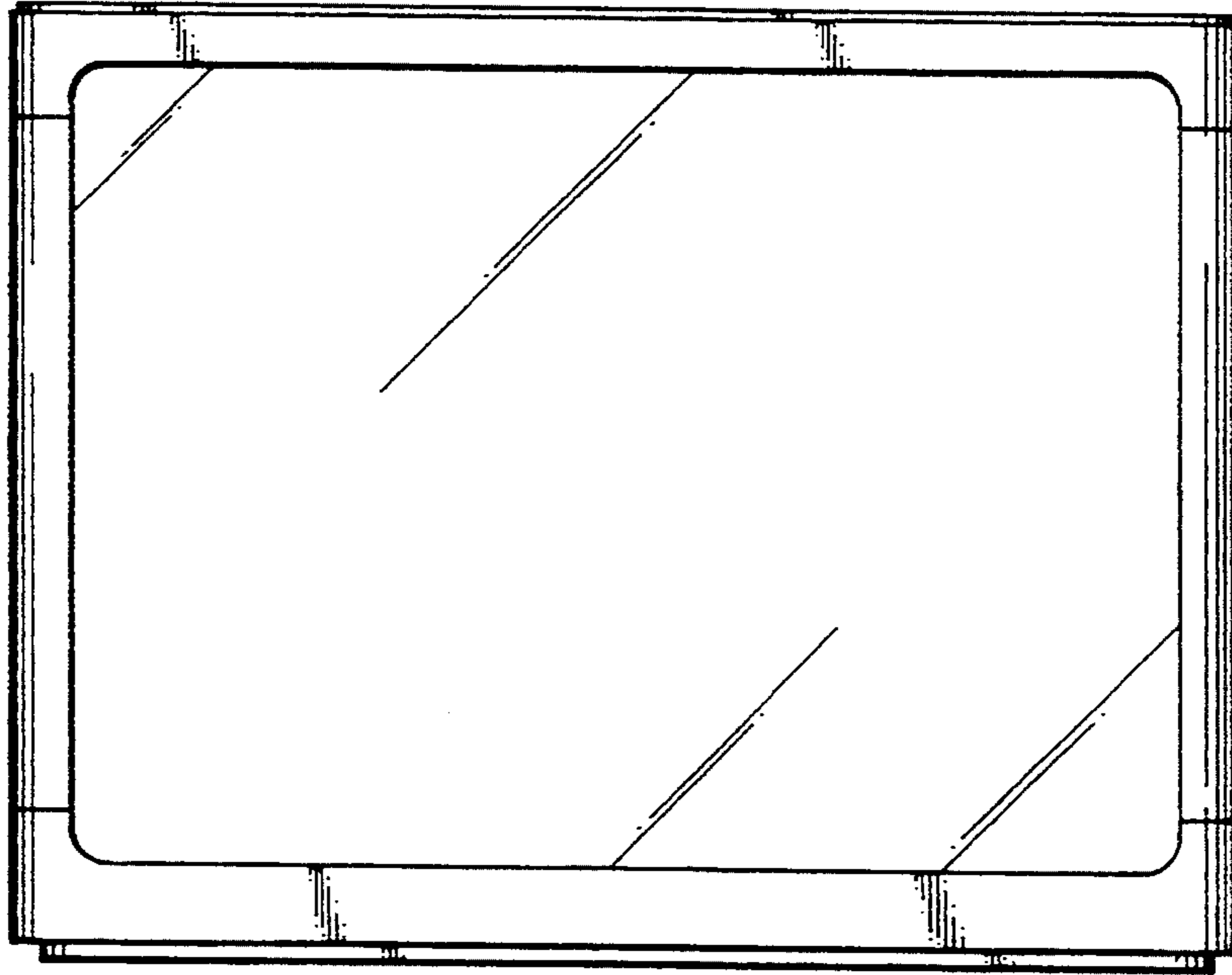


FIG. 4

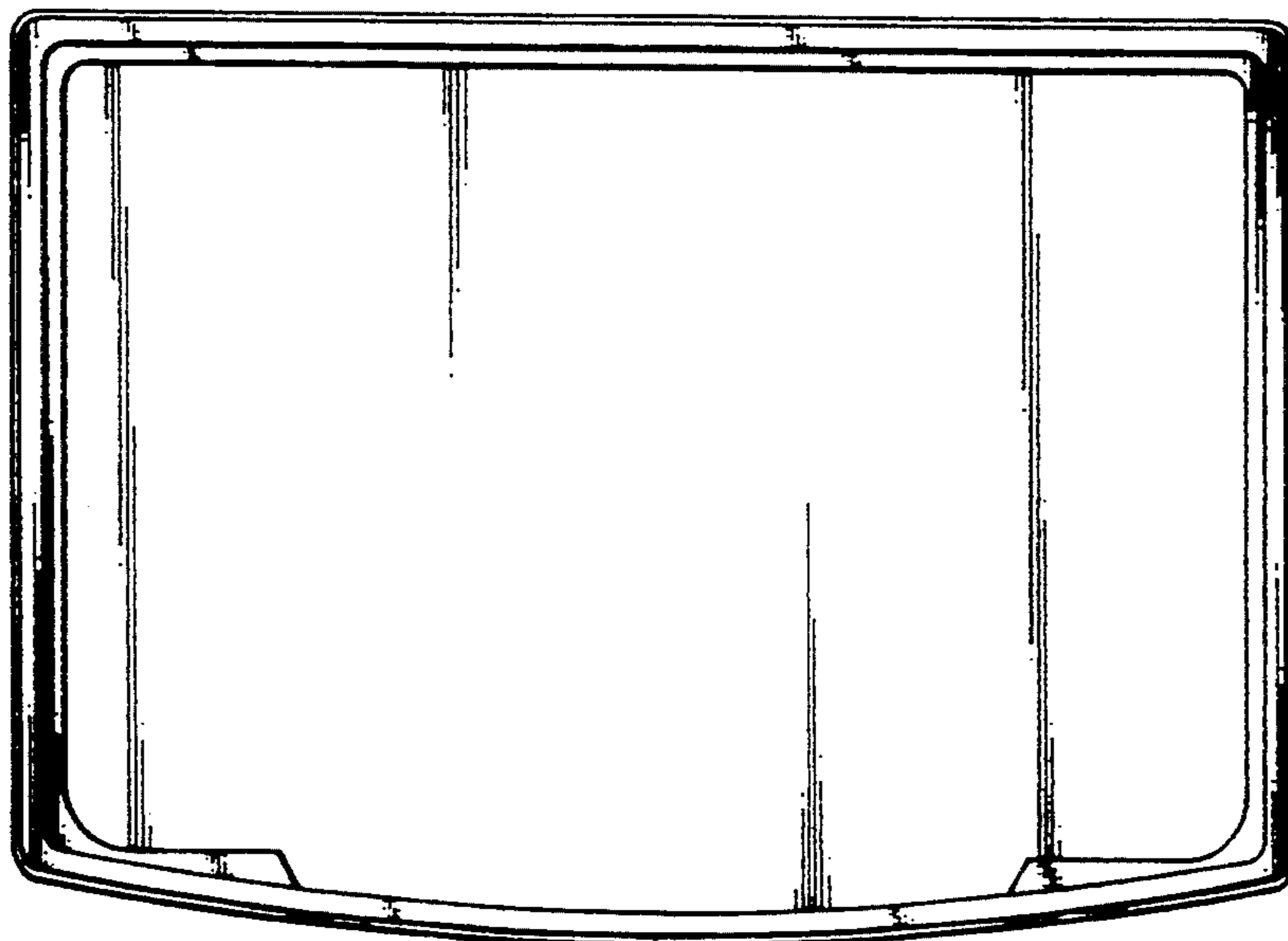


FIG. 5

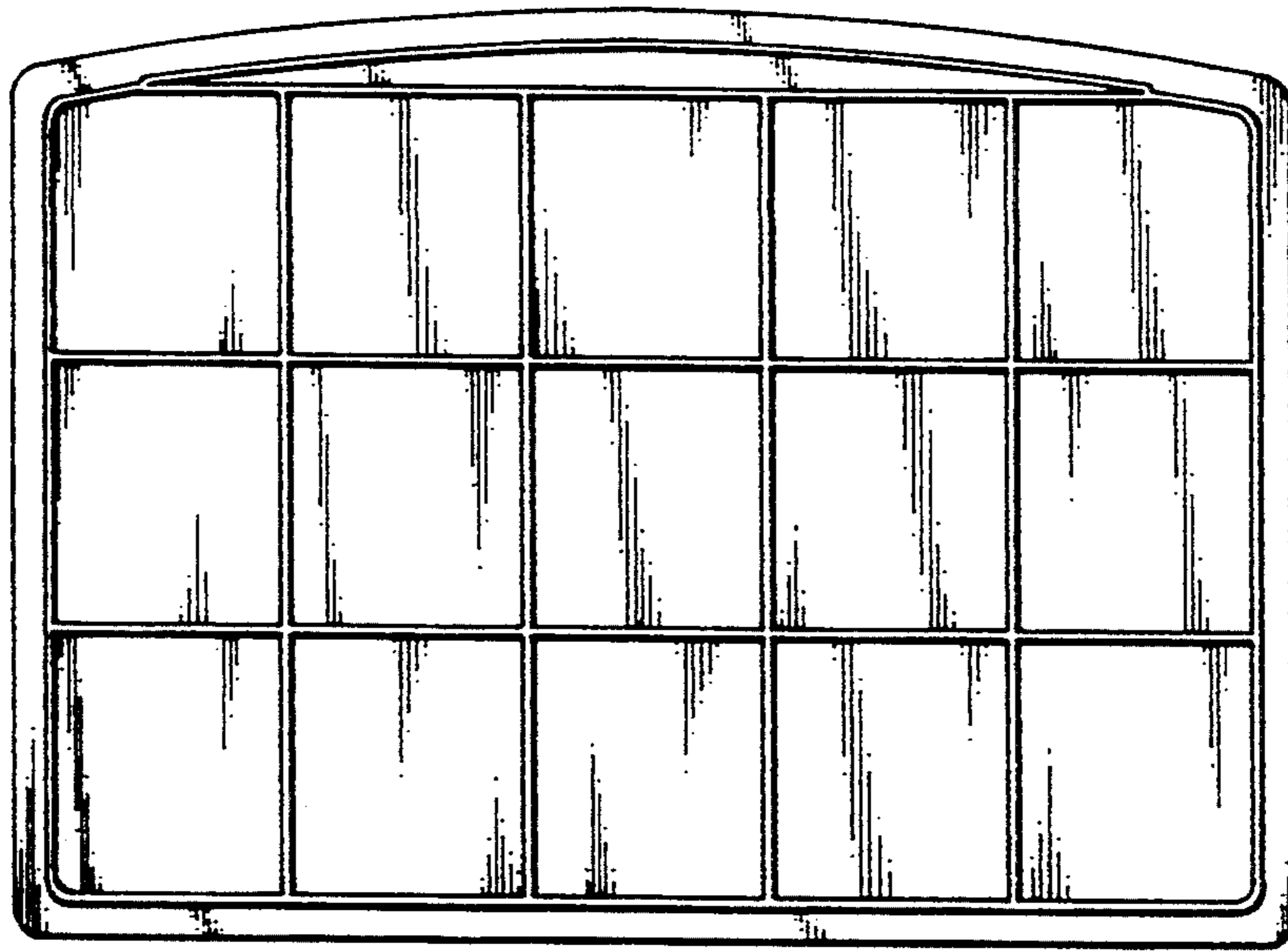


FIG. 6

