



US00D361868S

# United States Patent [19]

[11] Patent Number: **Des. 361,868**

**Raugh**

[45] Date of Patent: **\*\* Aug. 29, 1995**

[54] **EYE SHIELD FOR BICYCLE HELMET**

[76] Inventor: **Robert A. Raugh**, 21621 Fernleaf, El Toro, Calif. 92630

[\*\*] Term: **14 Years**

[21] Appl. No.: **25,513**

[22] Filed: **Jul. 5, 1994**

[52] U.S. Cl. .... **D29/109**

[58] Field of Search ..... D29/104-110, D29/122; 2/2, 6.3, 6.7, 424, 425, 9, 10, 418, 422

3,791,922	2/1975	Ahlberg et al. ....	2/427
3,984,875	10/1976	Farquharson .....	2/10
5,245,709	9/1993	Shipcott .....	2/9
5,297,298	3/1994	Salatka et al. ....	2/9

*Primary Examiner*—Ruth McInroy  
*Attorney, Agent, or Firm*—Sand & Sebolt

[57] **CLAIM**

The ornamental design for an eye shield for bicycle helmet, as shown and described.

**DESCRIPTION**

FIG. 1 is a perspective view of an eye shield for a bicycle helmet showing my new design, the bicycle helmet shown in broken lines is for illustrative purposes only and forms no part of the claimed design;

FIG. 2 is a top plan view thereof;

FIG. 3 is a front elevational view thereof;

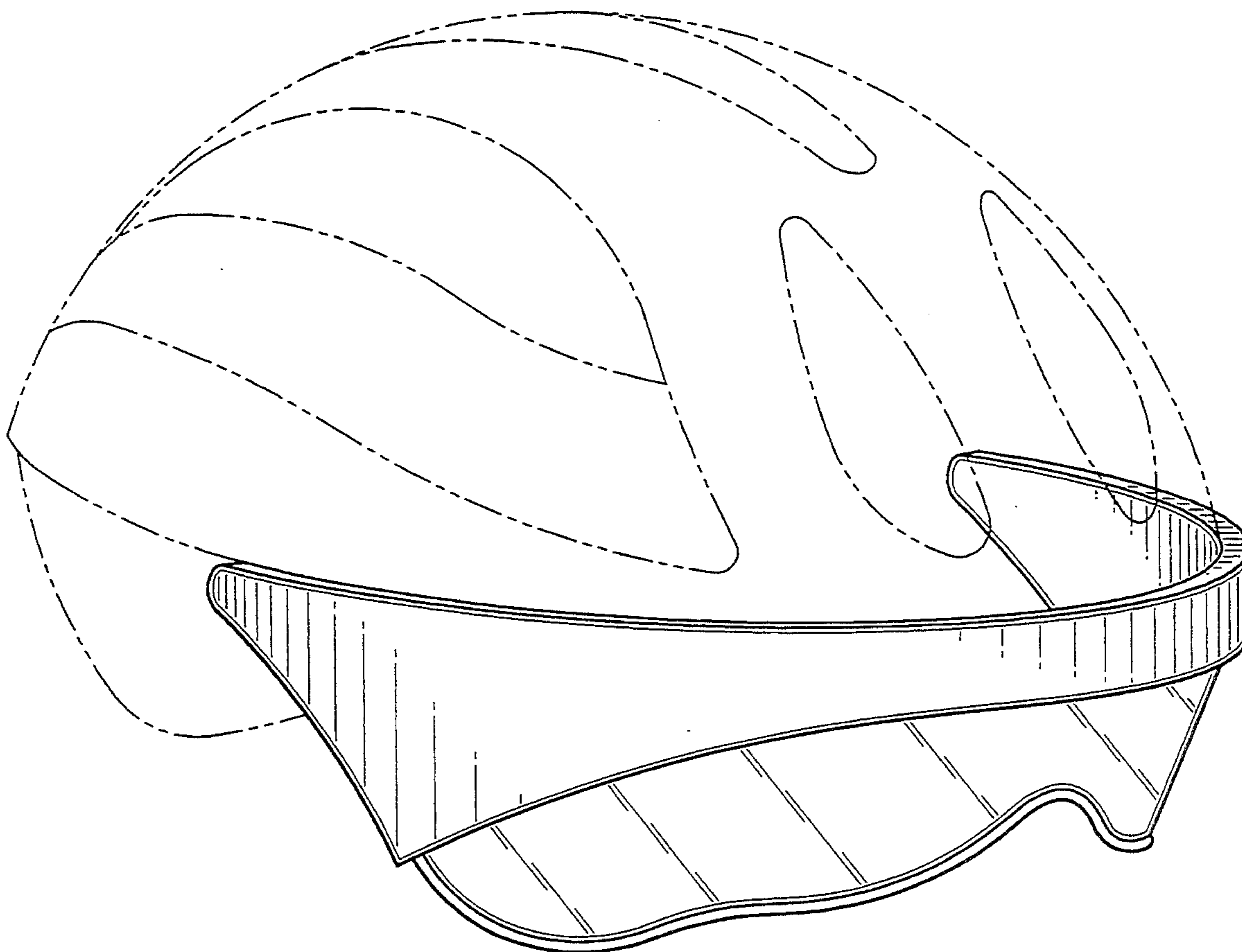
FIG. 4 is a right side elevational view thereof, the left side being a mirror image;

FIG. 5 is a rear elevational view thereof; and,

FIG. 6 is a bottom plan view thereof.

[56] **References Cited**  
**U.S. PATENT DOCUMENTS**

D. 181,750	12/1957	Reed .....	D29/110
D. 307,338	4/1990	Vandeputte .....	D29/110
D. 320,289	9/1991	Blackshore .....	D29/110
D. 329,444	9/1992	Rauch .....	D29/109
D. 341,230	11/1993	Kamata .....	D29/107
1,543,094	6/1925	Blecker et al. .	
2,519,959	8/1950	Fisher .....	2/10
3,400,407	9/1968	Aileo .....	2/427



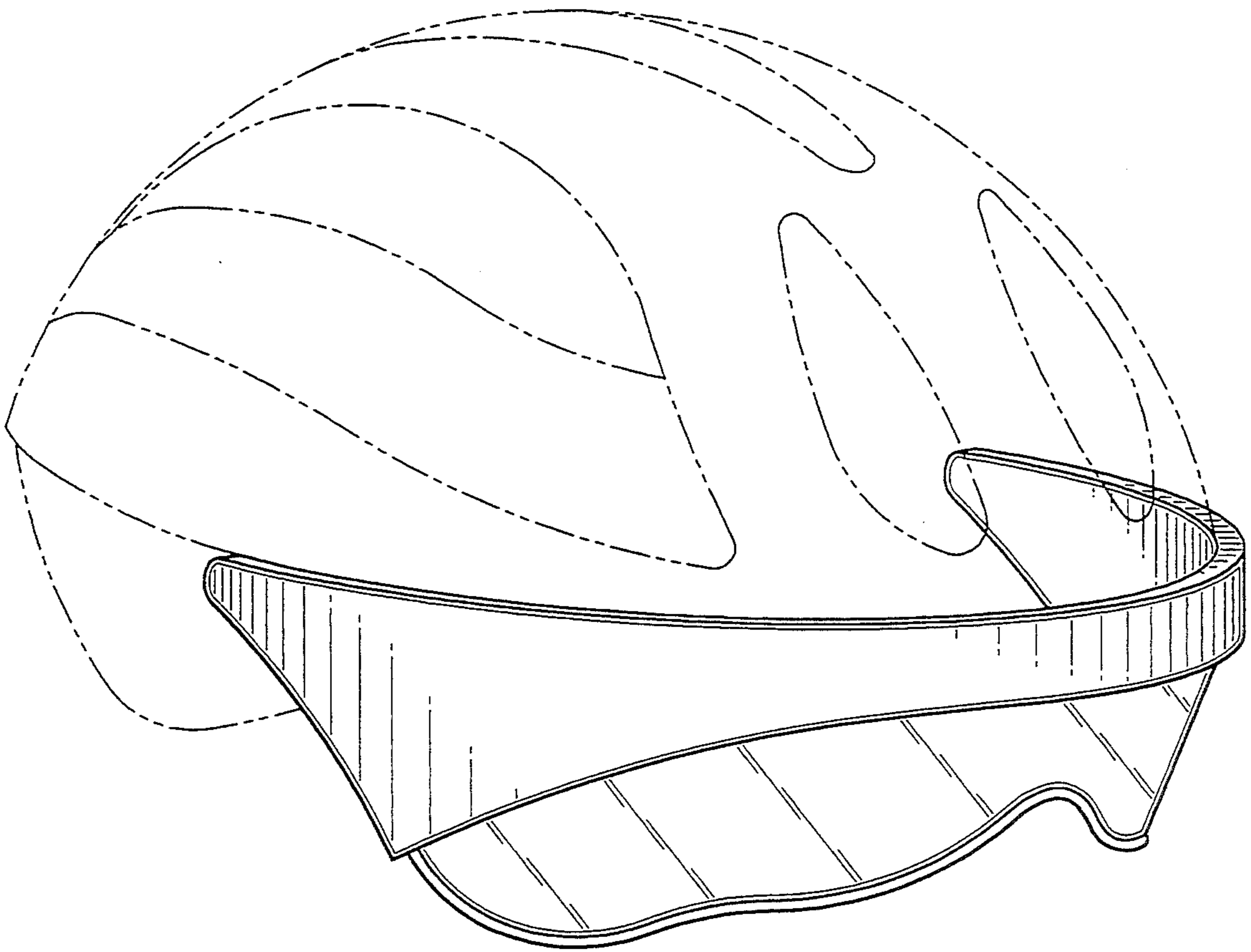


FIG-1

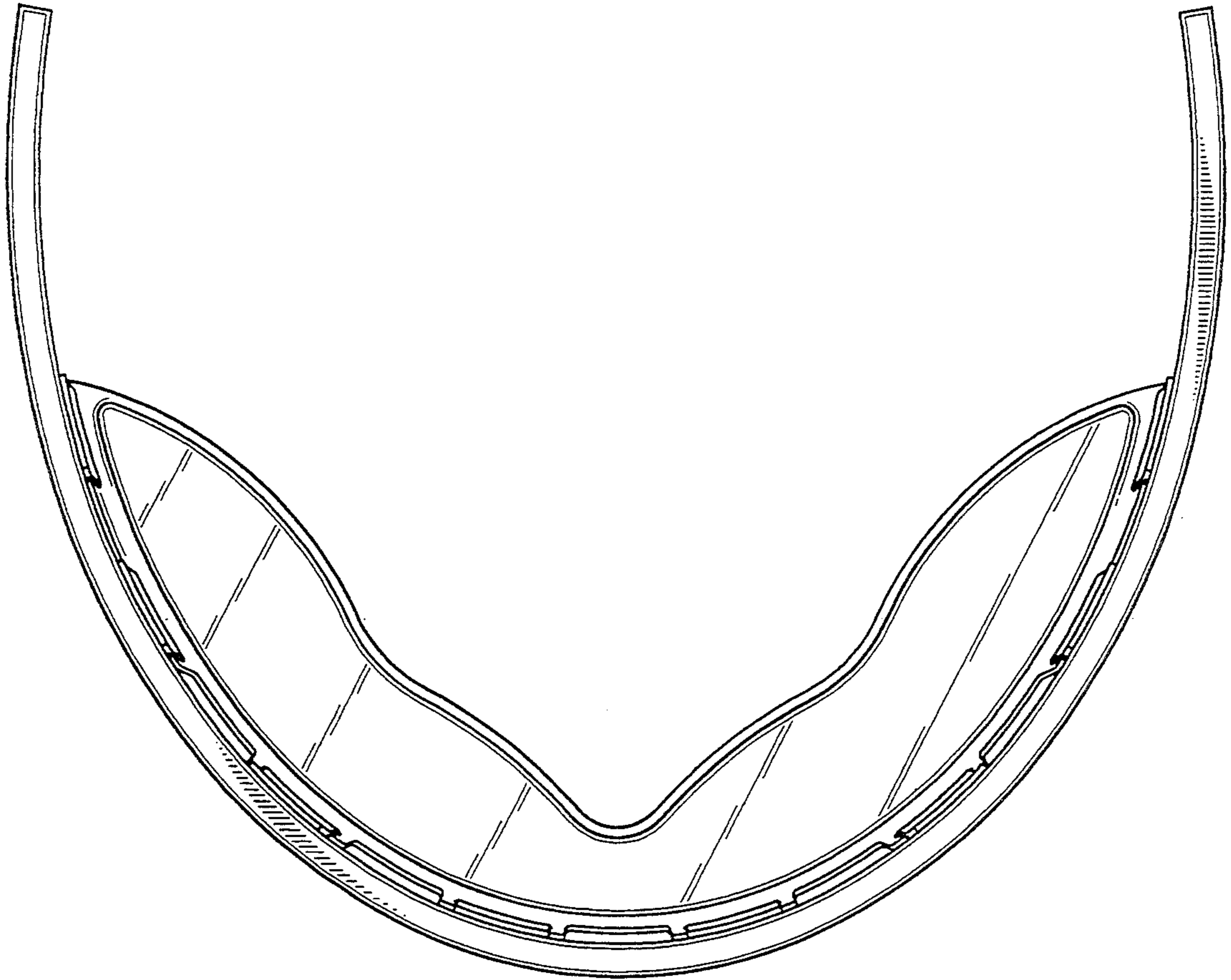


FIG-2

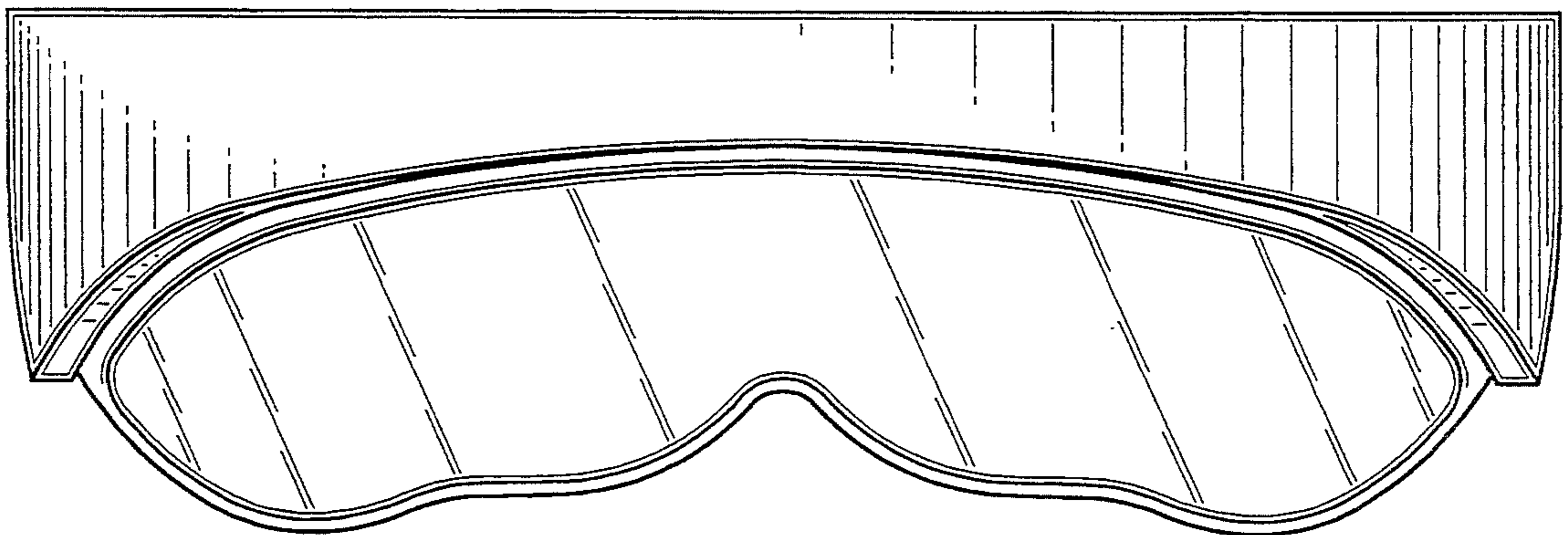


FIG-3

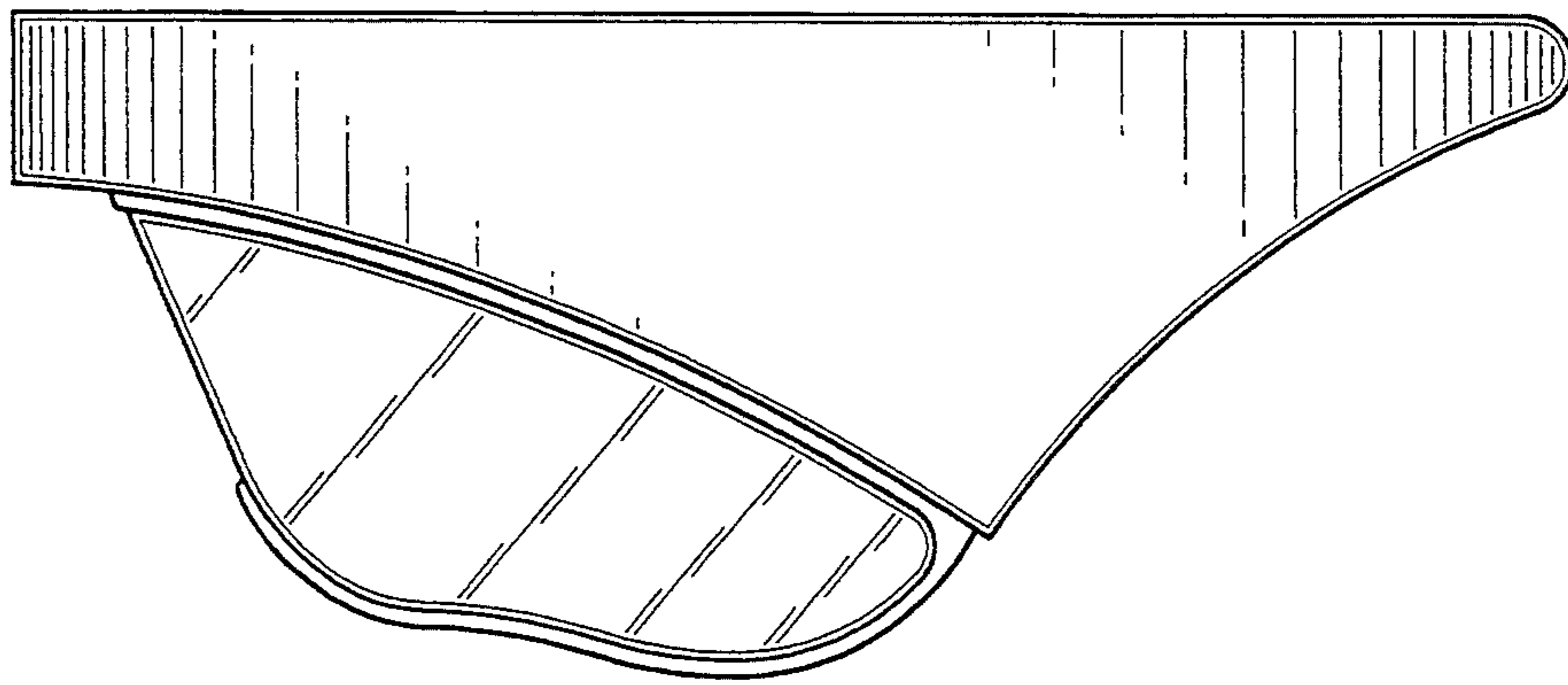


FIG-4

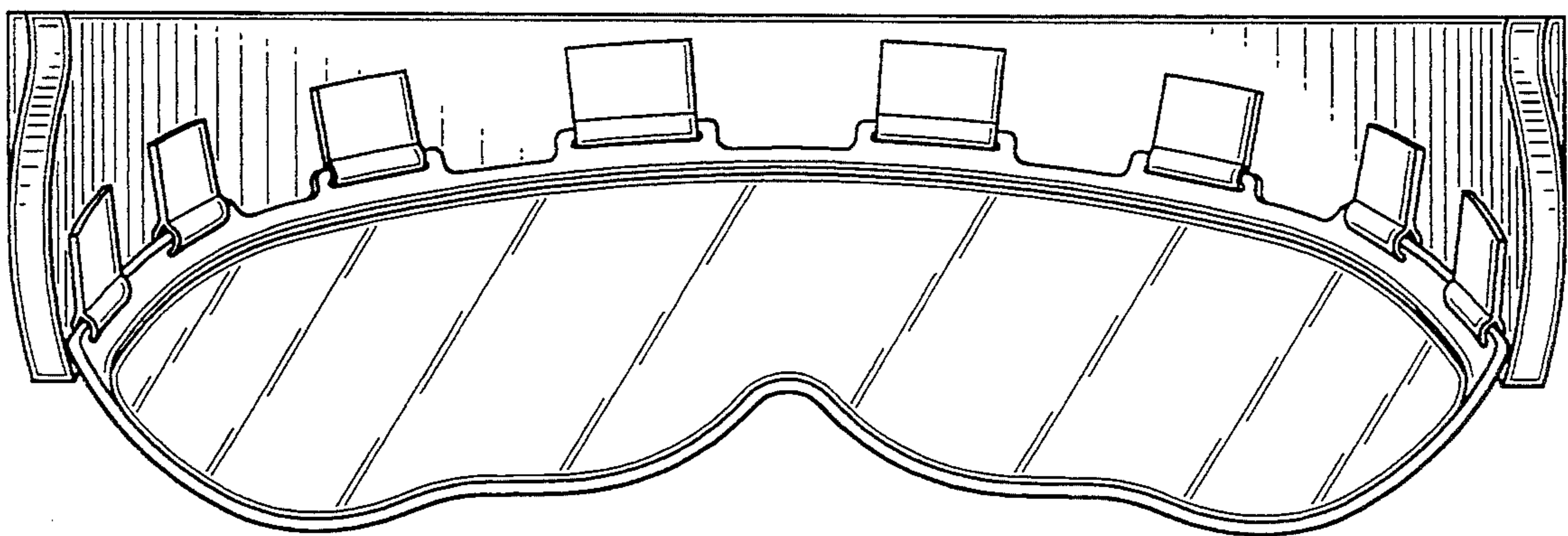


FIG-5

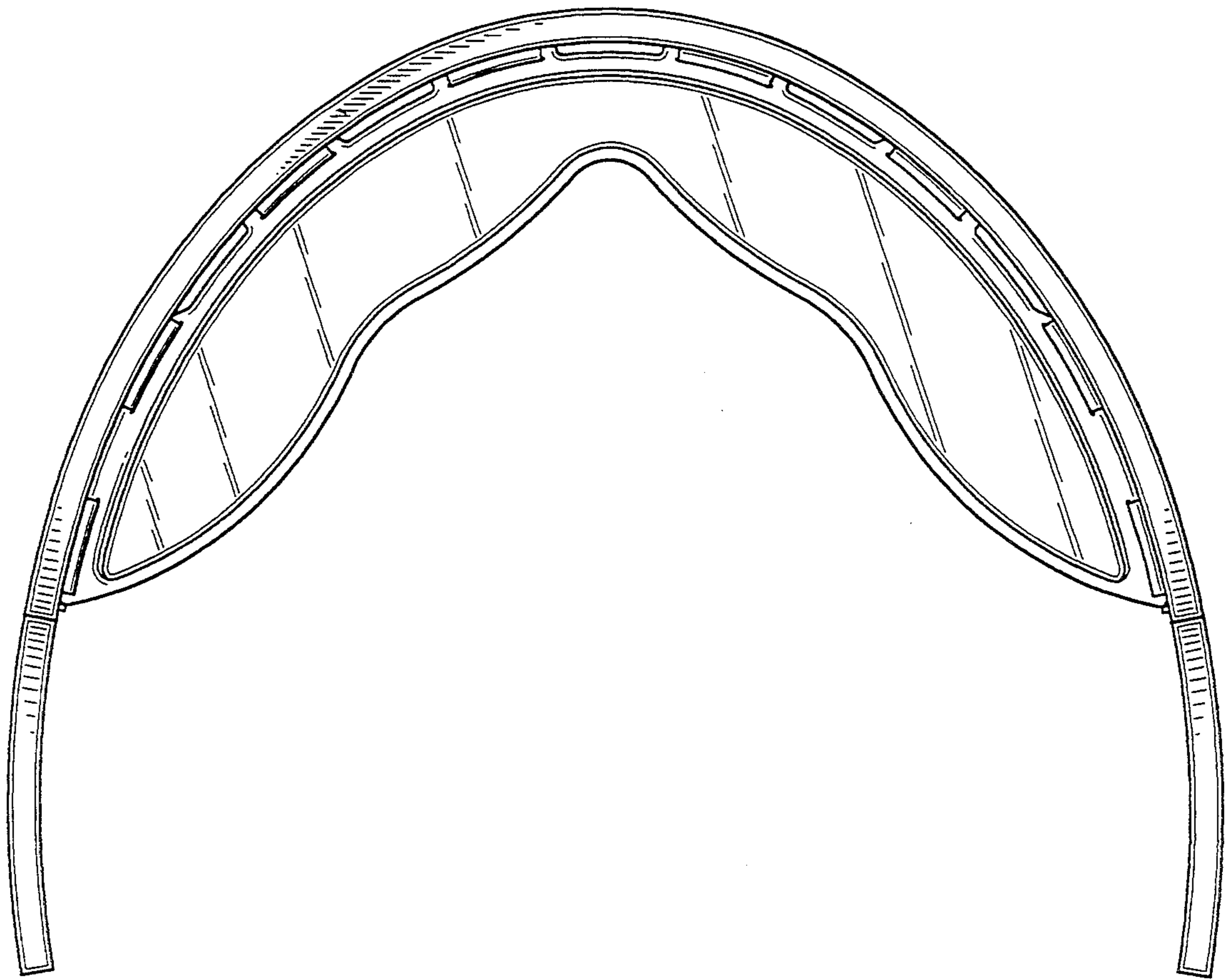


FIG-6