



US00D361866S

United States Patent [19]

[11] Patent Number: **Des. 361,866**

Febus

[45] Date of Patent: **** Aug. 29, 1995**

[54] SAFETY RAZOR WITH DISPOSABLE
BLADE

[76] Inventor: **Hiram Febus**, Box 3403, Victory,
Bayamon, P.R. 00958

[**] Term: **14 Years**

[21] Appl. No.: **5,122**

[22] Filed: **Feb. 24, 1993**

[52] U.S. Cl. **D28/46**

[58] Field of Search D28/7, 10, 20, 24, 25,
D28/30, 44, 45, 52, 54; D8/107; 132/148, 150;
30/32, 34.05, 51, 53-55, 85, 88, 30

[56] **References Cited**

U.S. PATENT DOCUMENTS

| | | | | |
|------------|---------|----------|-------|----------|
| D. 159,994 | 9/1950 | Lee | | D28/52 |
| D. 232,874 | 9/1974 | Koblick | | D28/44 X |
| D. 242,661 | 12/1976 | Gray | | D28/46 |
| D. 260,191 | 8/1981 | Chase | | D28/46 |
| D. 269,915 | 7/1983 | Item | | D28/46 |
| 933,317 | 9/1909 | Mallery | | 30/53 |
| 2,530,917 | 11/1950 | Taylor | | D28/30 X |
| 4,037,322 | 7/1977 | Bresler | | D28/48 X |
| 4,665,615 | 5/1987 | Martinez | | 30/53 |

FOREIGN PATENT DOCUMENTS

| | | | | |
|--------|---------|---------|-------|-------|
| 22597 | 11/1917 | Denmark | | 30/30 |
| 571685 | 5/1924 | France | | 30/53 |
| 870213 | 3/1953 | Germany | | 30/32 |

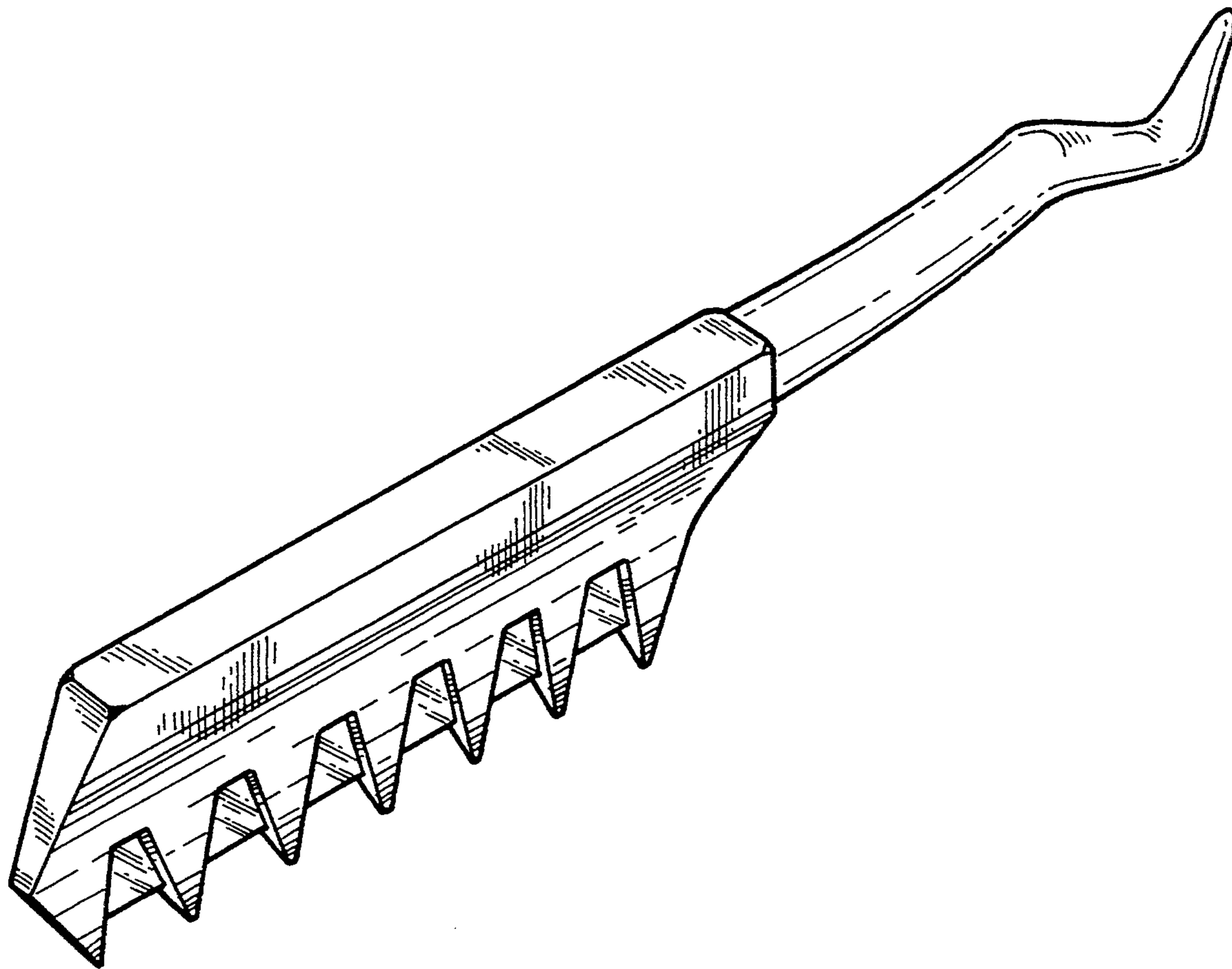
Primary Examiner—Theodore M. Shooman
Assistant Examiner—C. Tuttle
Attorney, Agent, or Firm—Terry M. Gernstein

[57] **CLAIM**

The ornamental design for a safety razor with disposable blade, as shown and described.

DESCRIPTION

FIG. 1 is a front, top and side perspective view of the safety razor with disposable blade showing my new design;
FIG. 2 is a front end elevational view thereof;
FIG. 3 is a rear end elevational view thereof;
FIG. 4 is a side elevational view thereof, the side opposite being a mirror image of the side shown in FIG. 4.
FIG. 5 is a top plan view thereof;
FIG. 6 is a bottom plan view thereof;
FIG. 7 is a cross sectional view taken along line 7—7 of FIG. 4; and,
FIG. 8 is a cross sectional view taken along line 8—8 of FIG. 4.



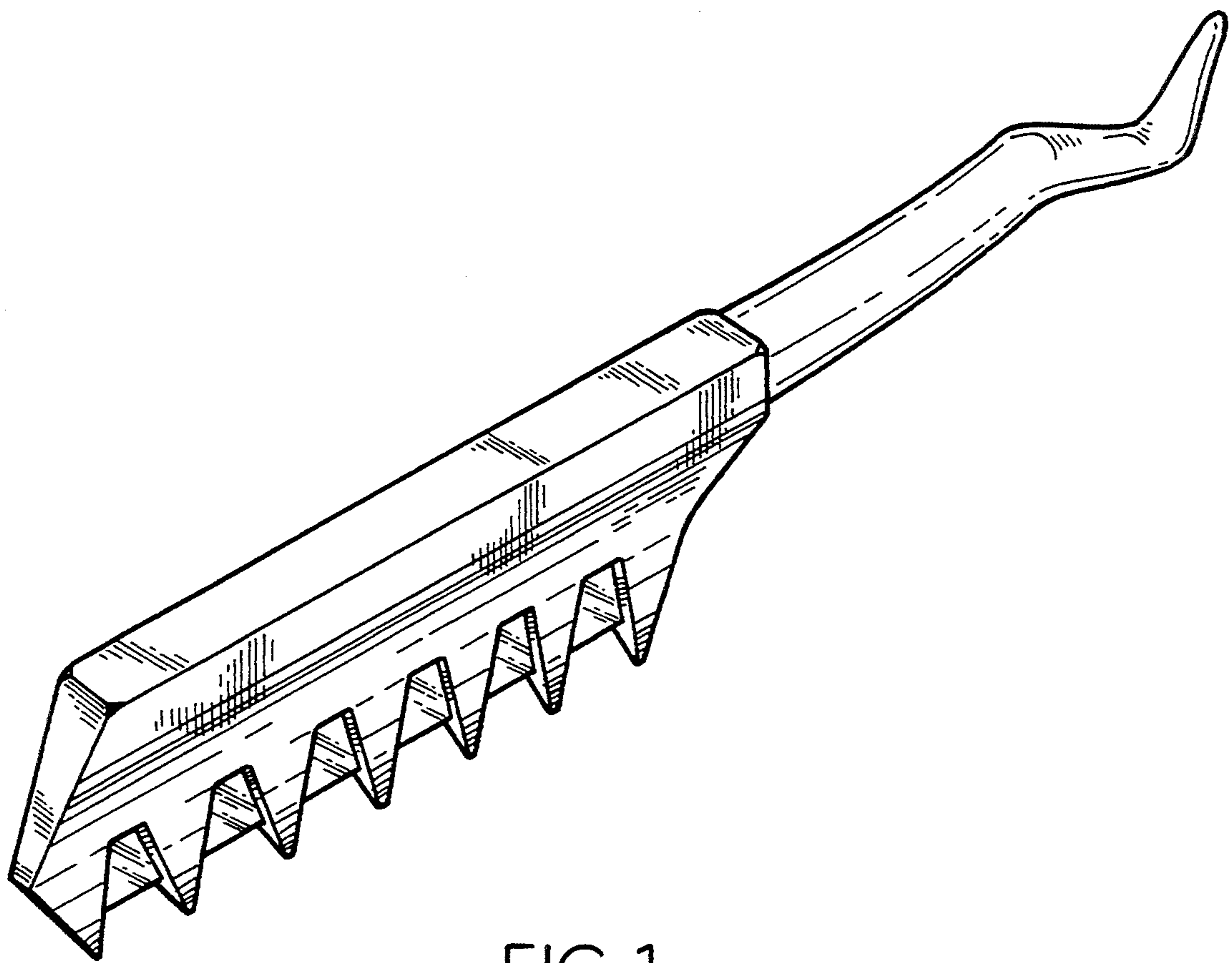


FIG. 1



FIG. 2



FIG. 3

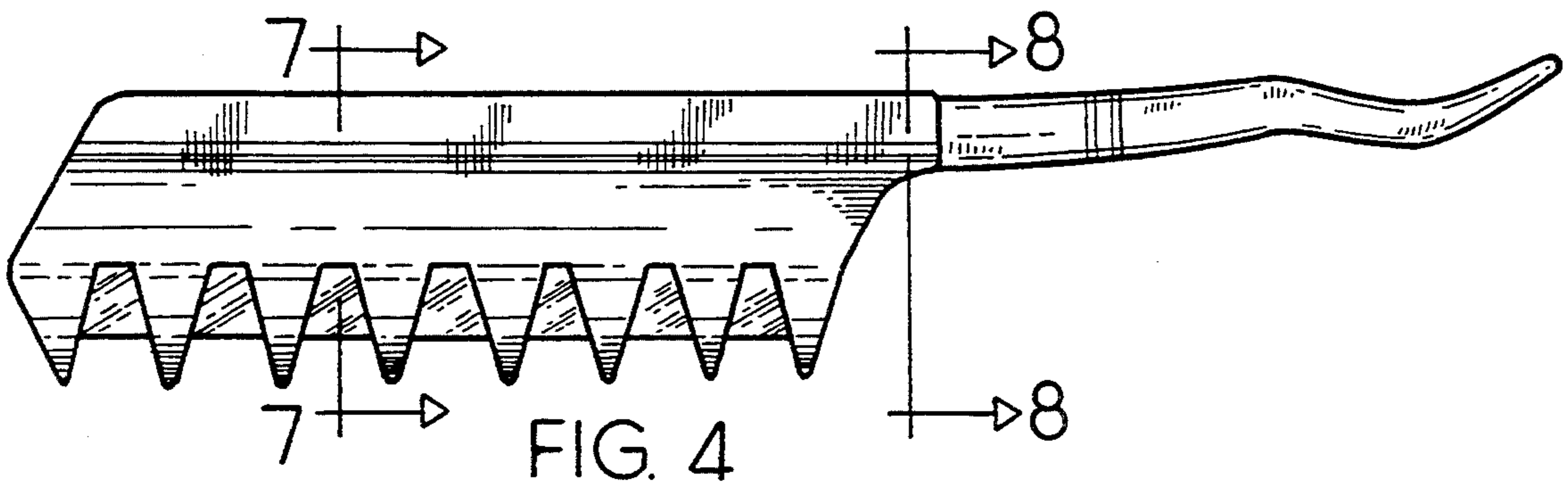


FIG. 4



FIG. 5



FIG. 6

FIG. 7

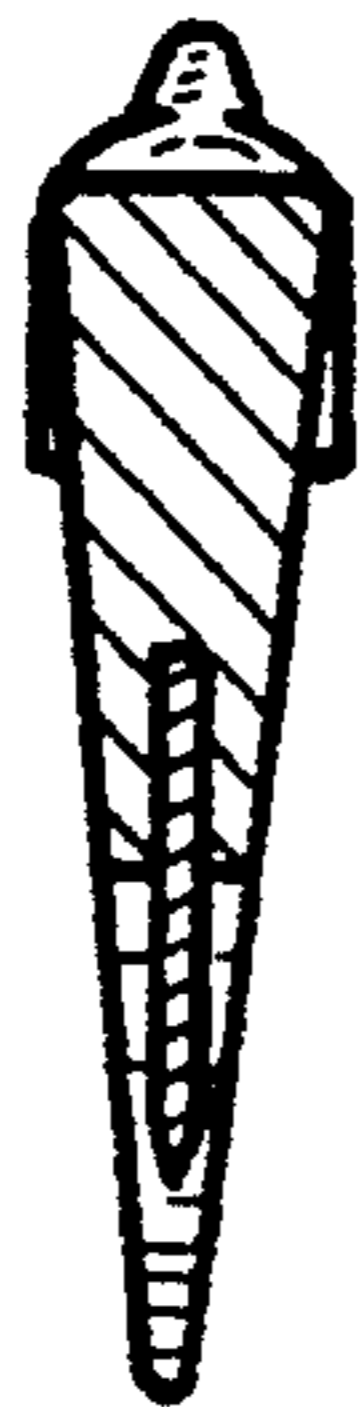


FIG. 8

