



US00D361863S

United States Patent [19]

[11] Patent Number: Des. 361,863

Motobayashi

[45] Date of Patent: ** Aug. 29, 1995

[54] POCKET LIGHTER

[75] Inventor: Shohzoh Motobayashi, Osaka, Japan

[73] Assignee: Motobayashi Co., Ltd., Osaka, Japan

[**] Term: 14 Years

[21] Appl. No.: 24,911

[22] Filed: Jun. 23, 1994

[30] Foreign Application Priority Data

Mar. 8, 1994 [JP] Japan 6-5777

[52] U.S. Cl. D27/154; D27/160

[58] Field of Search D27/101, 102, 103, 139, D27/141, 142, 143, 144, 147, 154, 155, 156, 157, 158, 159, 160; 131/173, 194, 270, 329, 336, 360, 361; 431/125, 129-152, 343

[56] References Cited

U.S. PATENT DOCUMENTS

- D. 154,945 8/1949 Miller D27/159
- D. 158,215 4/1950 Peterson et al. D27/159 X
- D. 329,717 9/1992 Ichikawa D27/156
- D. 347,707 6/1994 Ichikawa D27/157
- 2,529,094 11/1950 Miller D27/157 X
- 2,680,962 6/1954 Lipic et al. 431/152 X

Primary Examiner—Lou Zarfas

Assistant Examiner—Monica A. Hannon
Attorney, Agent, or Firm—Ronald R. Snider

[57] CLAIM

The ornamental design for a pocket lighter, as shown.

DESCRIPTION

FIG. 1 is a front view of a pocket lighter showing my new design;
 FIG. 2 is a right side view thereof;
 FIG. 3 is a plan view thereof;
 FIG. 4 is a bottom view thereof;
 FIG. 5 is an enlarged sectional view along line 5—5';
 FIG. 6 is a left side view thereof;
 FIG. 7 is an enlarged sectional view along line 7—7';
 FIG. 8 is an enlarged right side view of the lower half;
 FIG. 9 is an enlarged front view of the lower half;
 FIG. 10 is a sectional view along line 10—10';
 FIG. 11 is a sectional view along line 11—11';
 FIG. 12 is a plan view with the lid opened;
 FIG. 13 is a front view with the lid opened;
 FIG. 14 is a perspective view with the lid opened;
 FIG. 15 is a perspective view with the lid opened and the lever pushed downward for ignition;
 FIG. 16 is a plan view showing the transparent portion; and,
 FIG. 17 is a front view showing the transparent portions.

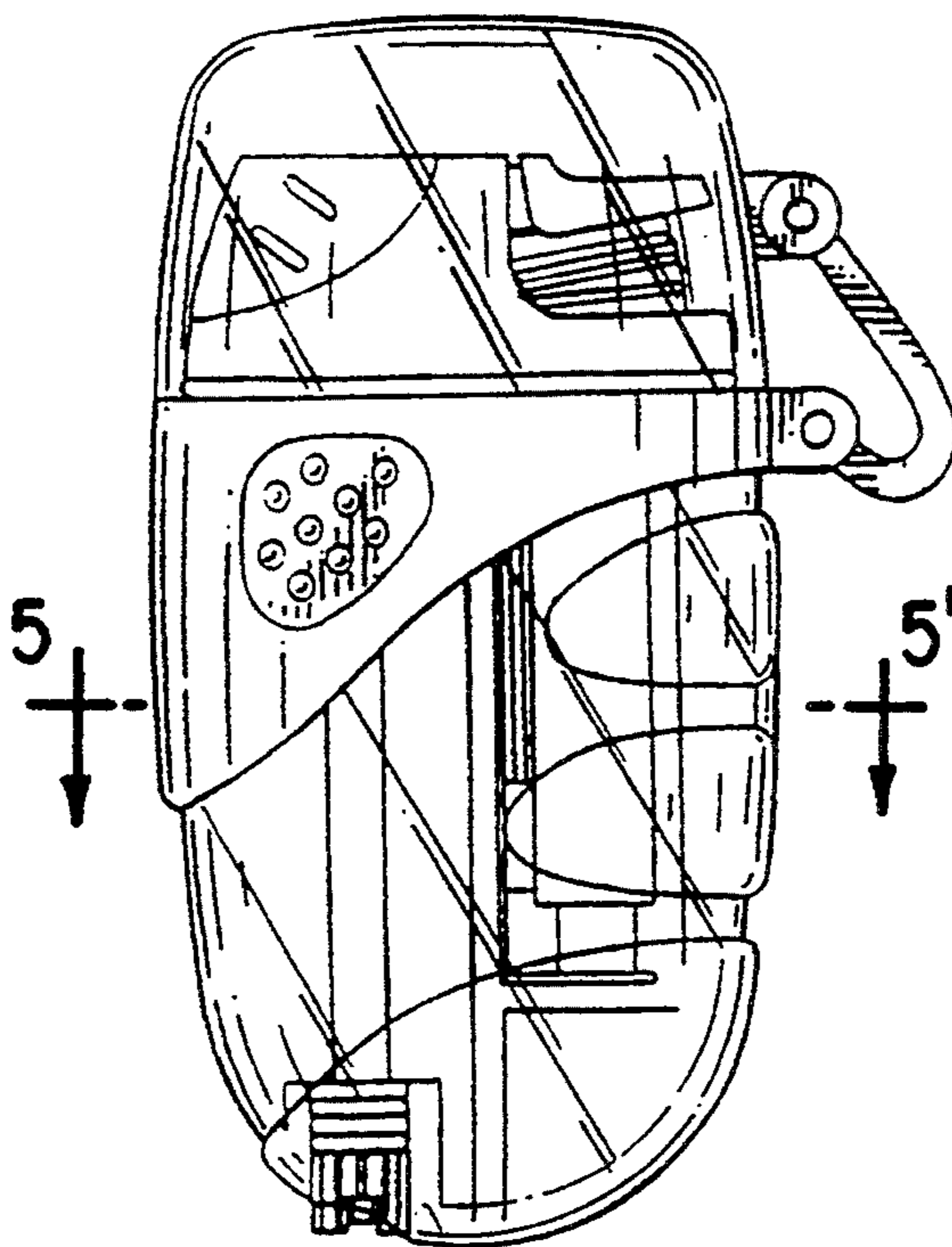


FIG. 1

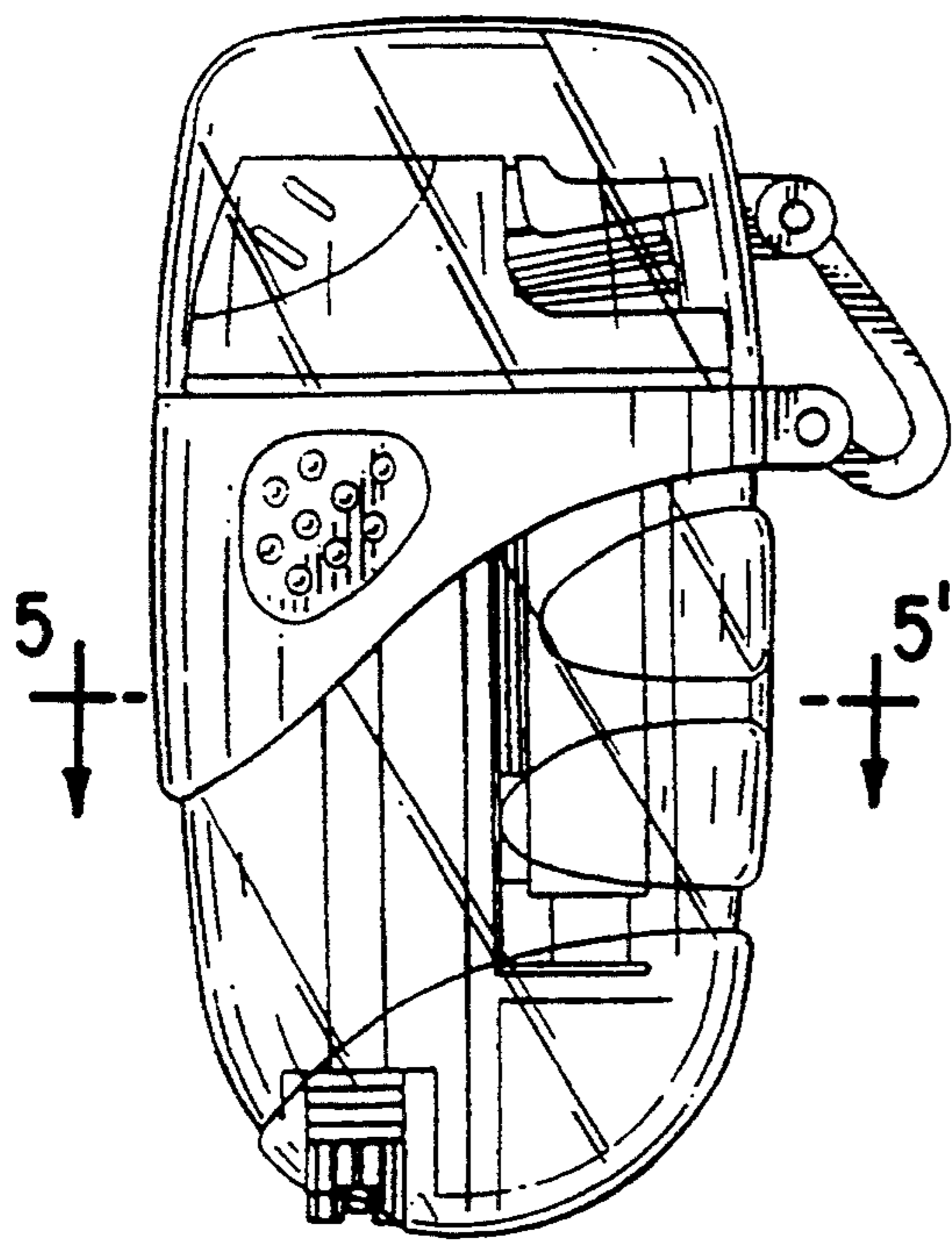


FIG. 2

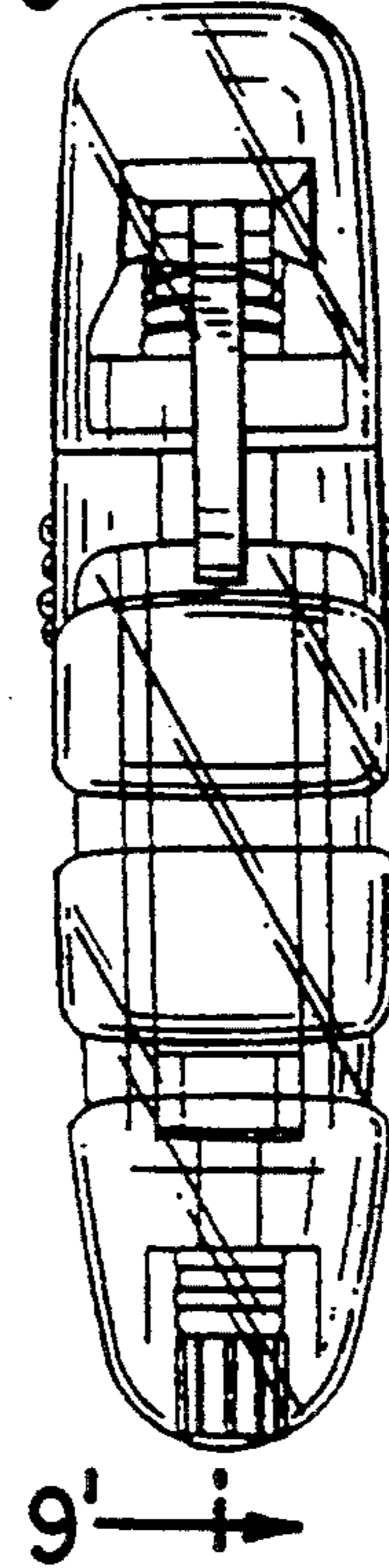


FIG. 3

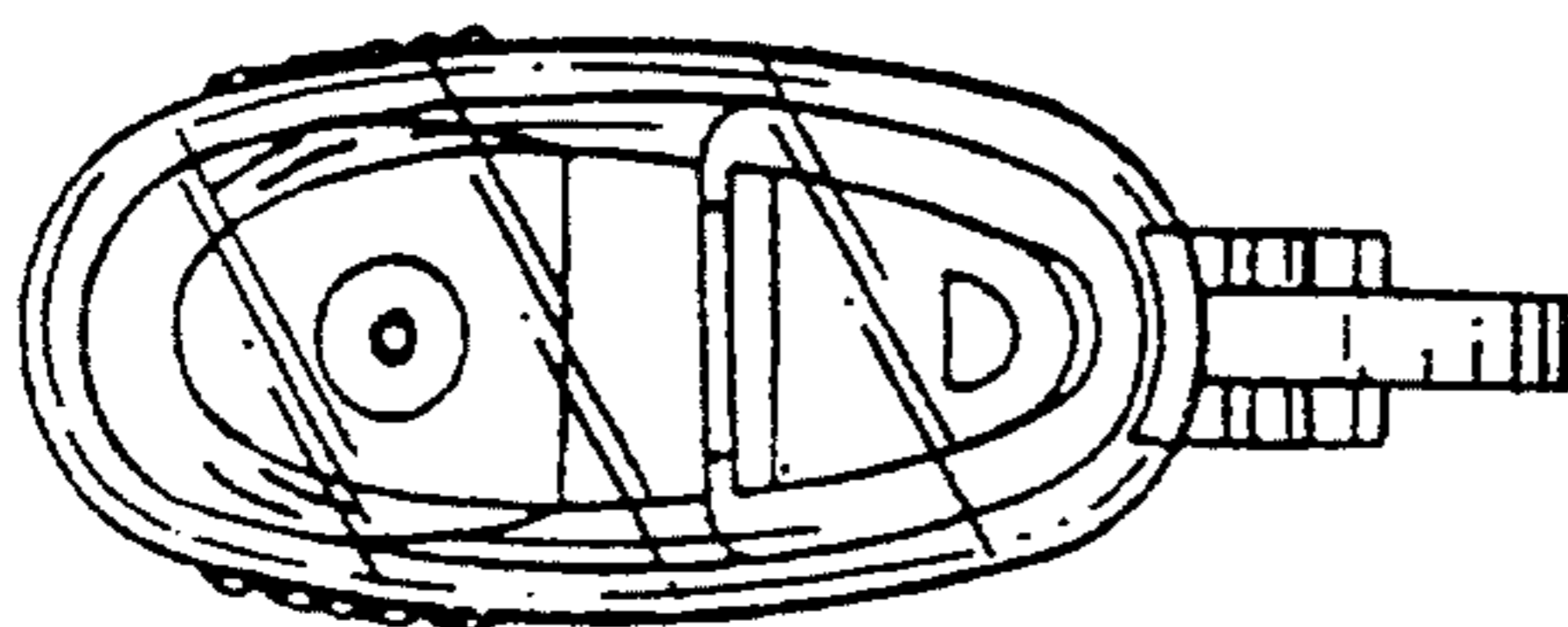


FIG. 4

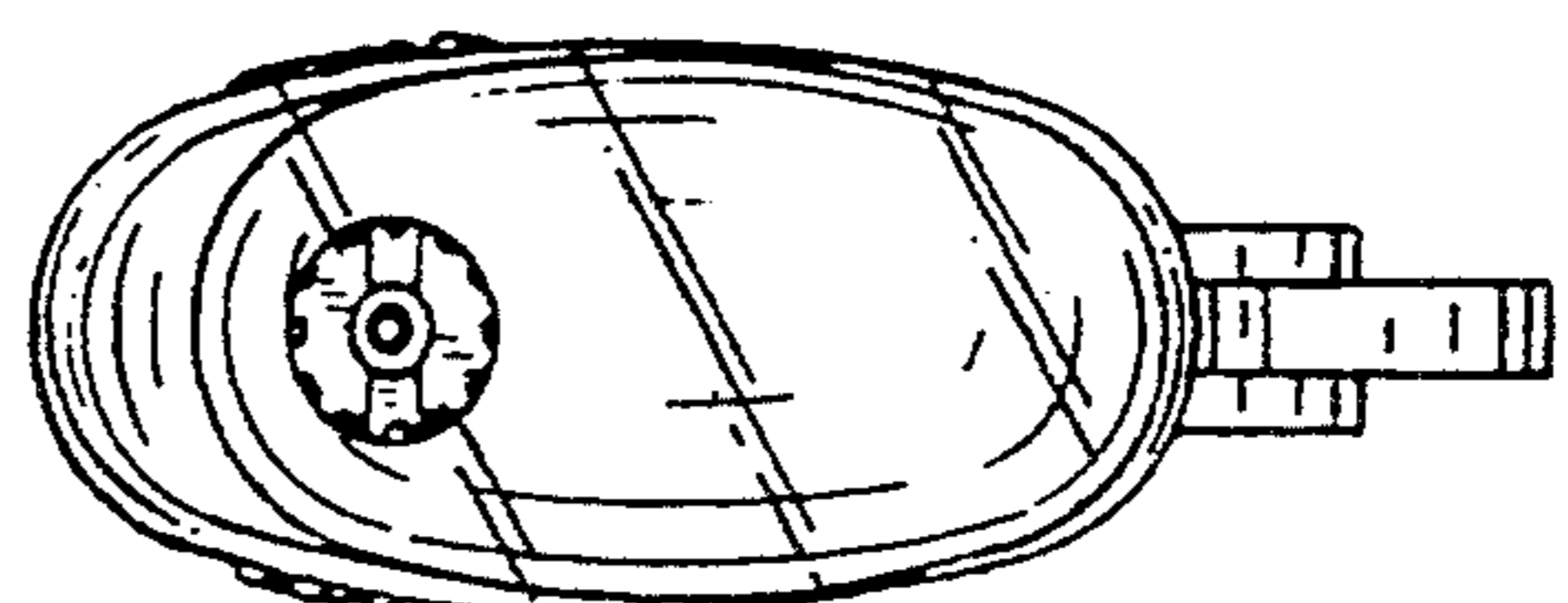


FIG. 5

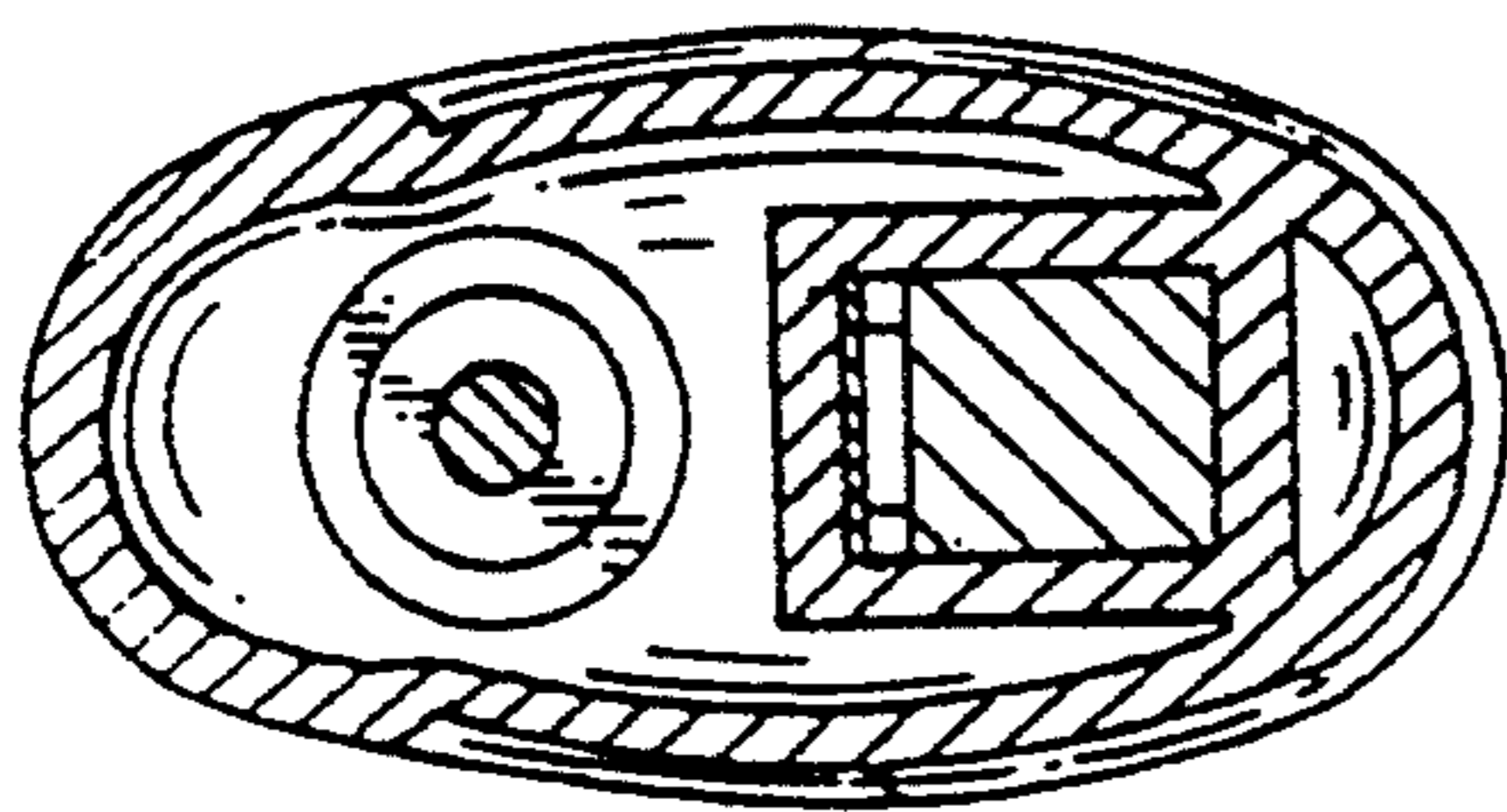


FIG. 6

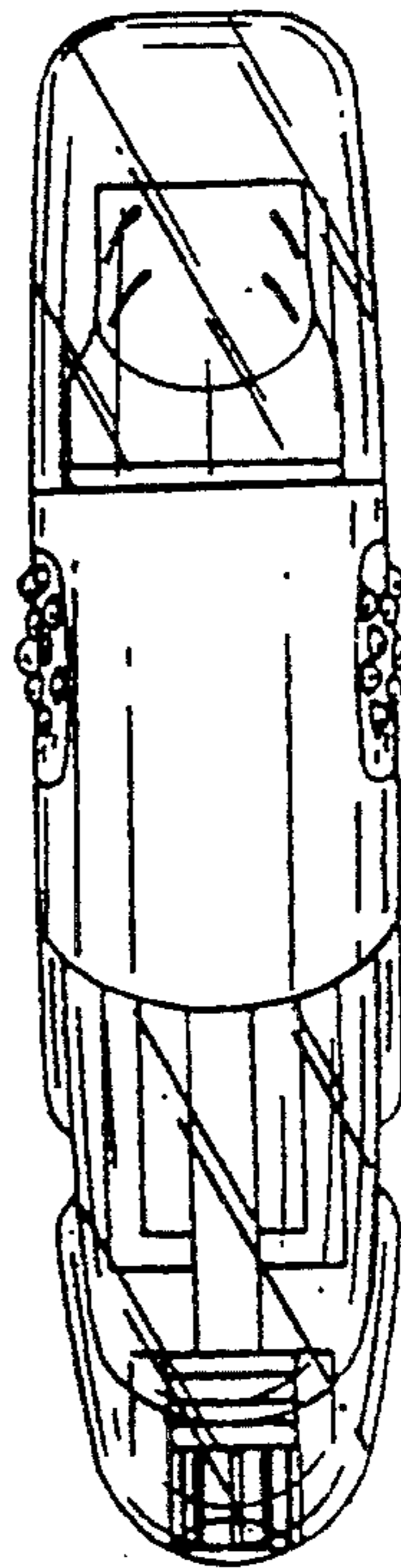


FIG. 7

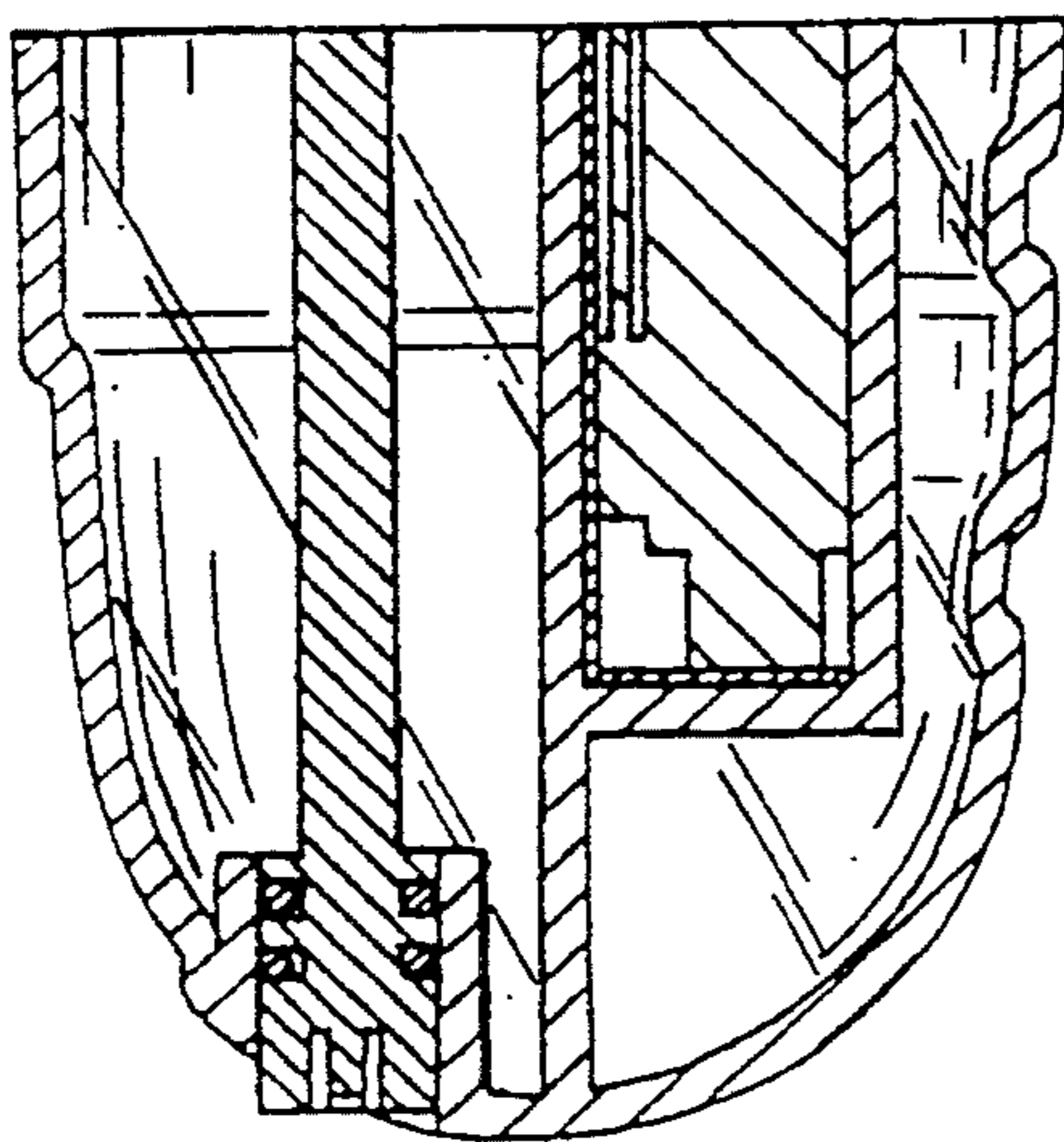


FIG. 8

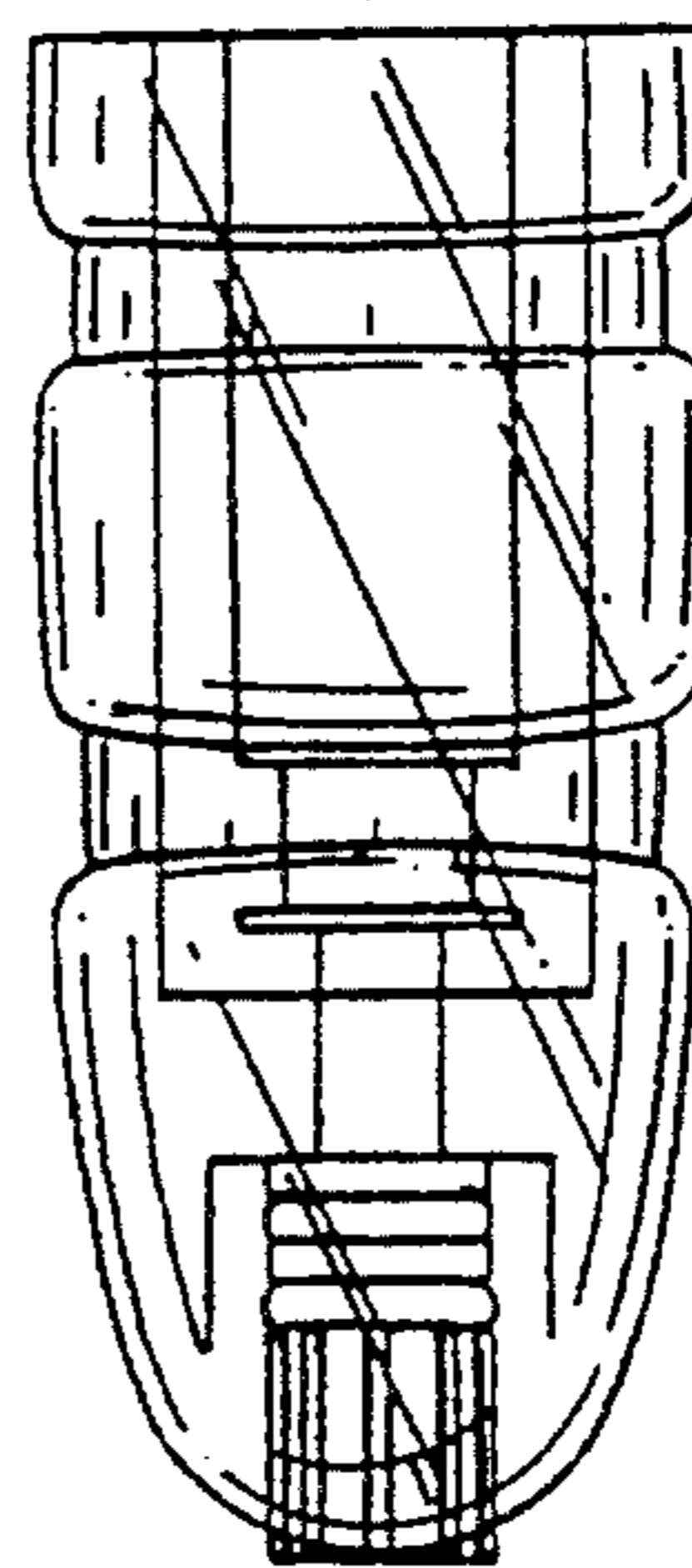


FIG. 9

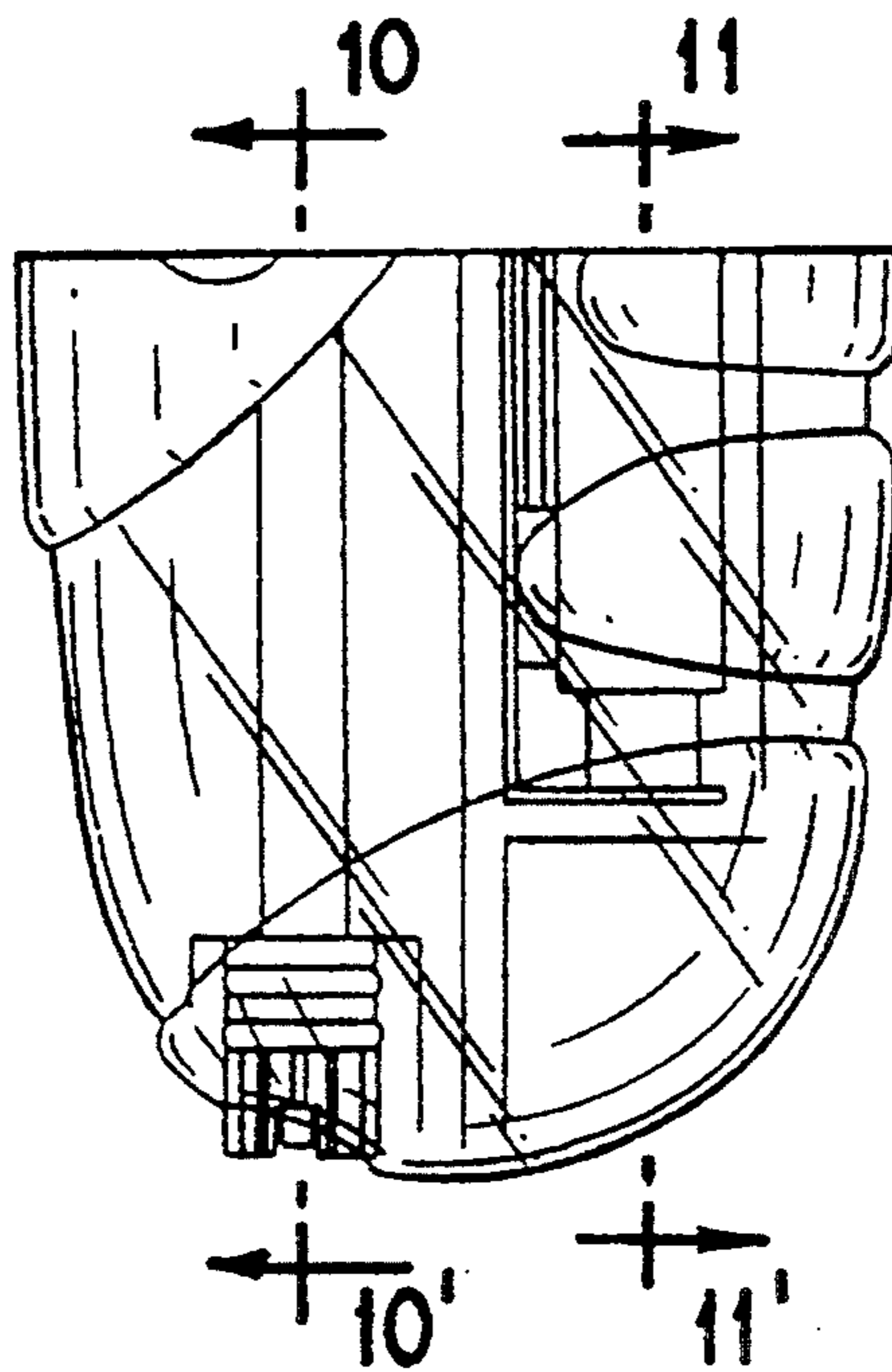


FIG. 10

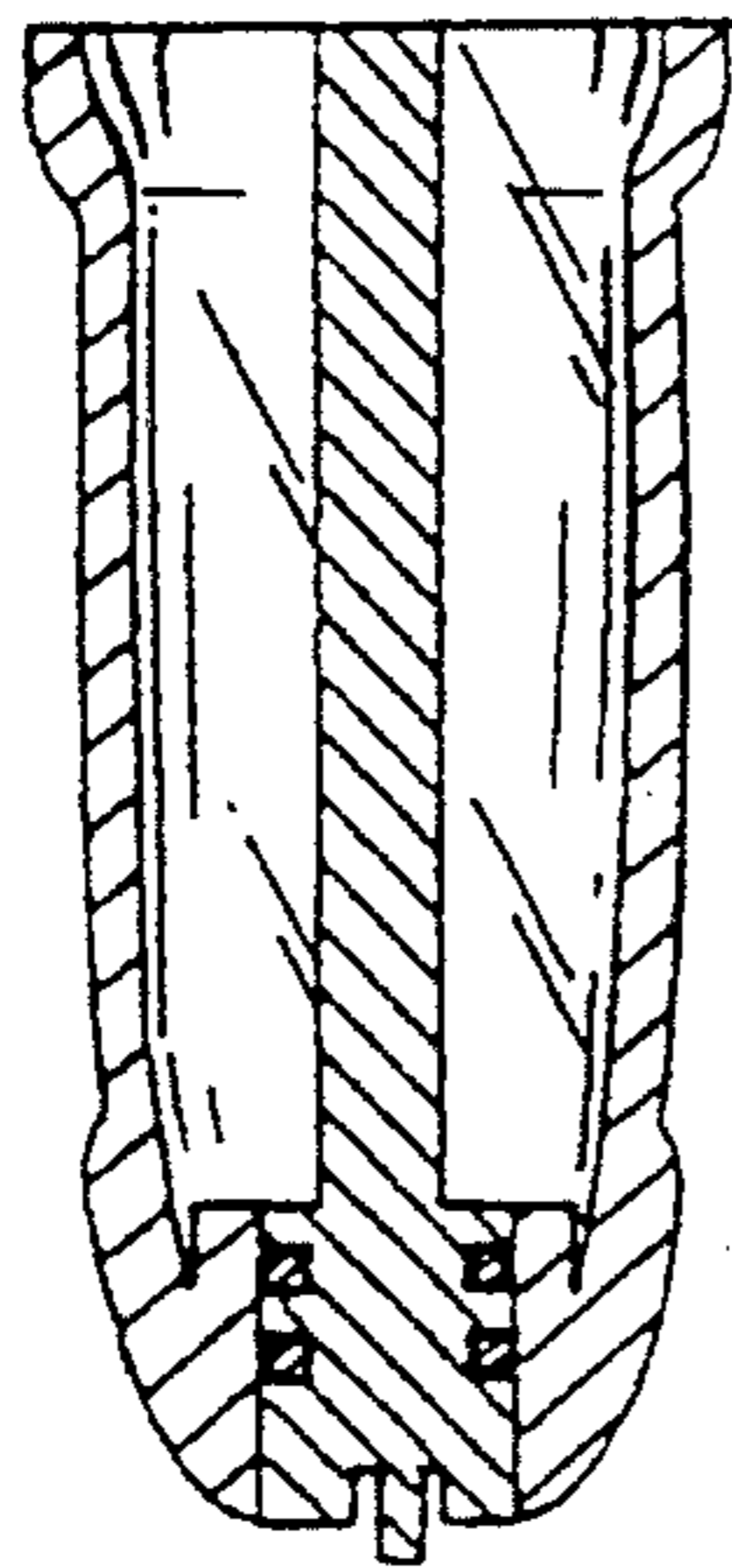


FIG. 11

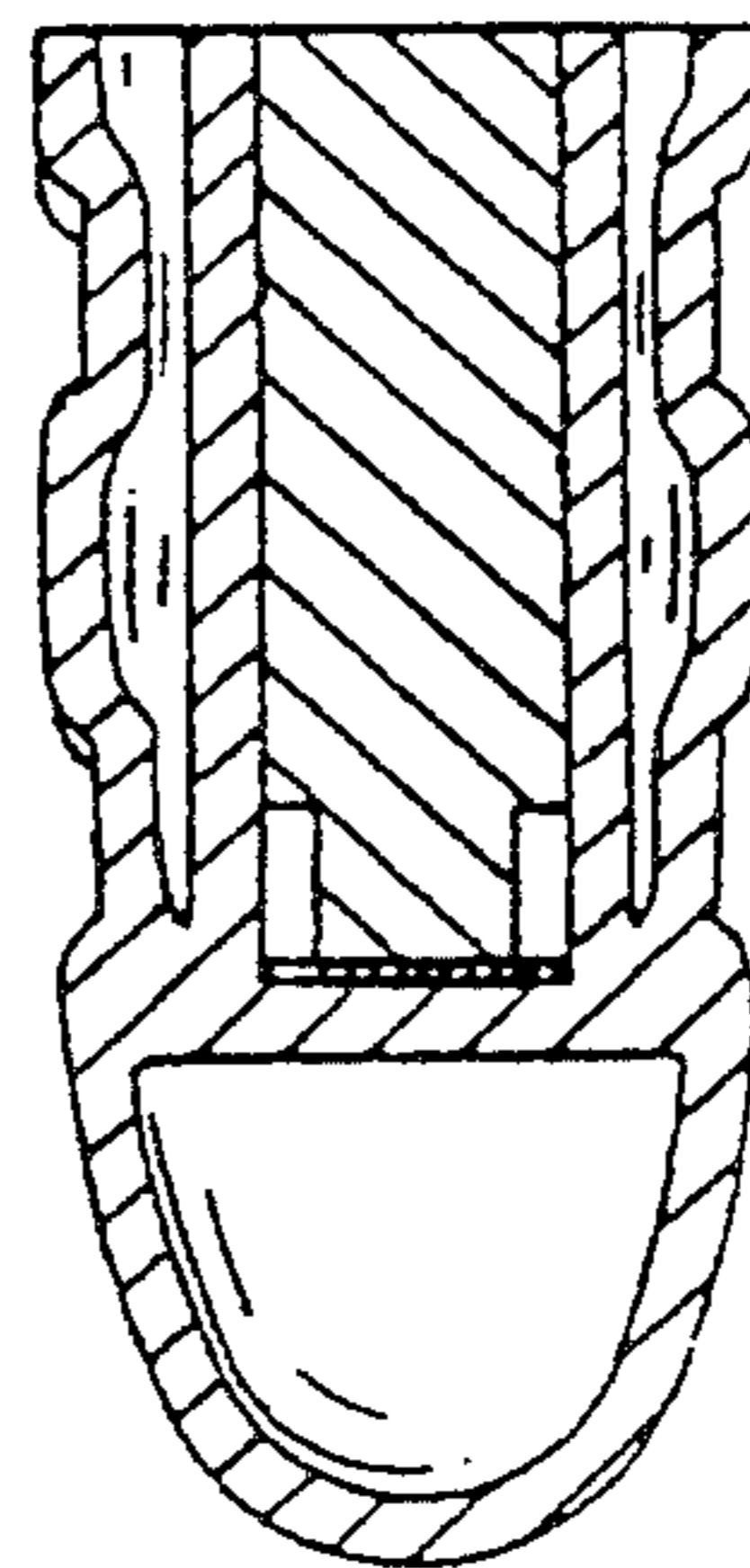


FIG. 12

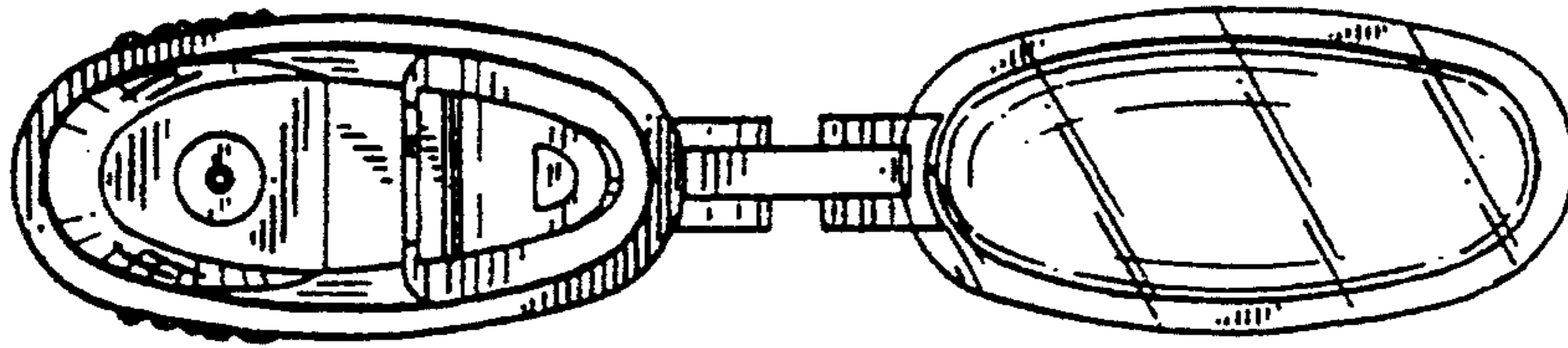


FIG. 13

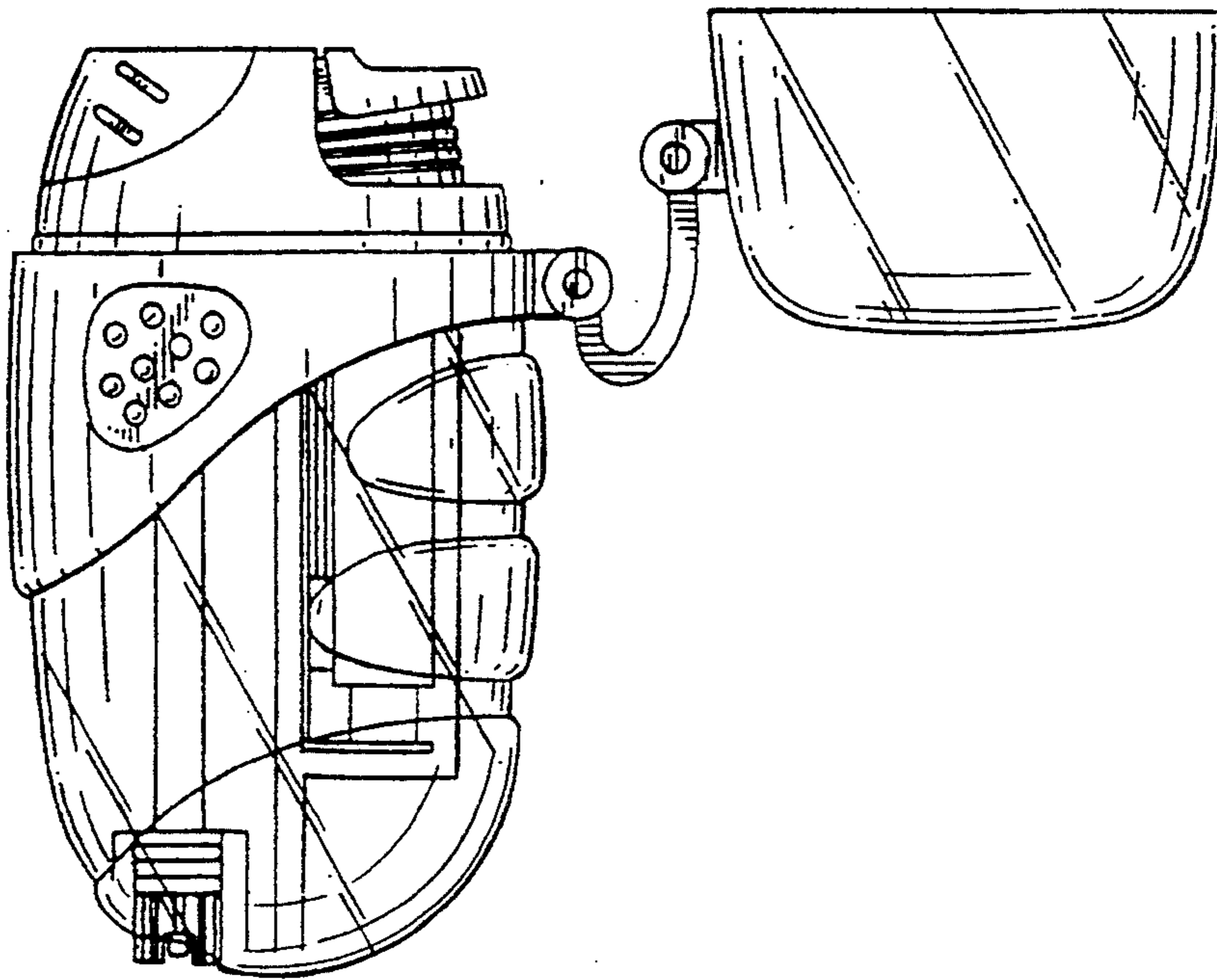


FIG. 14

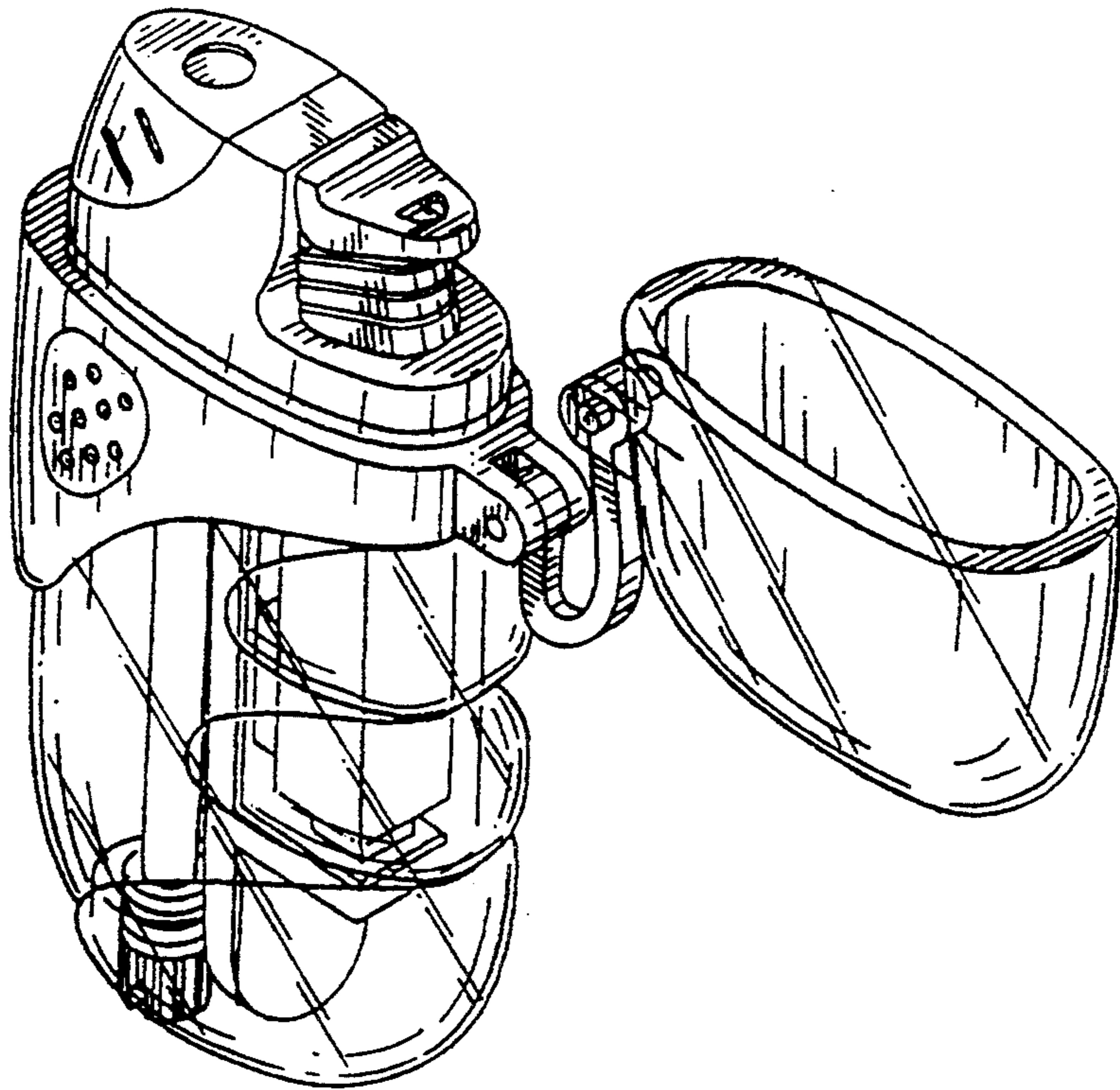


FIG. 15

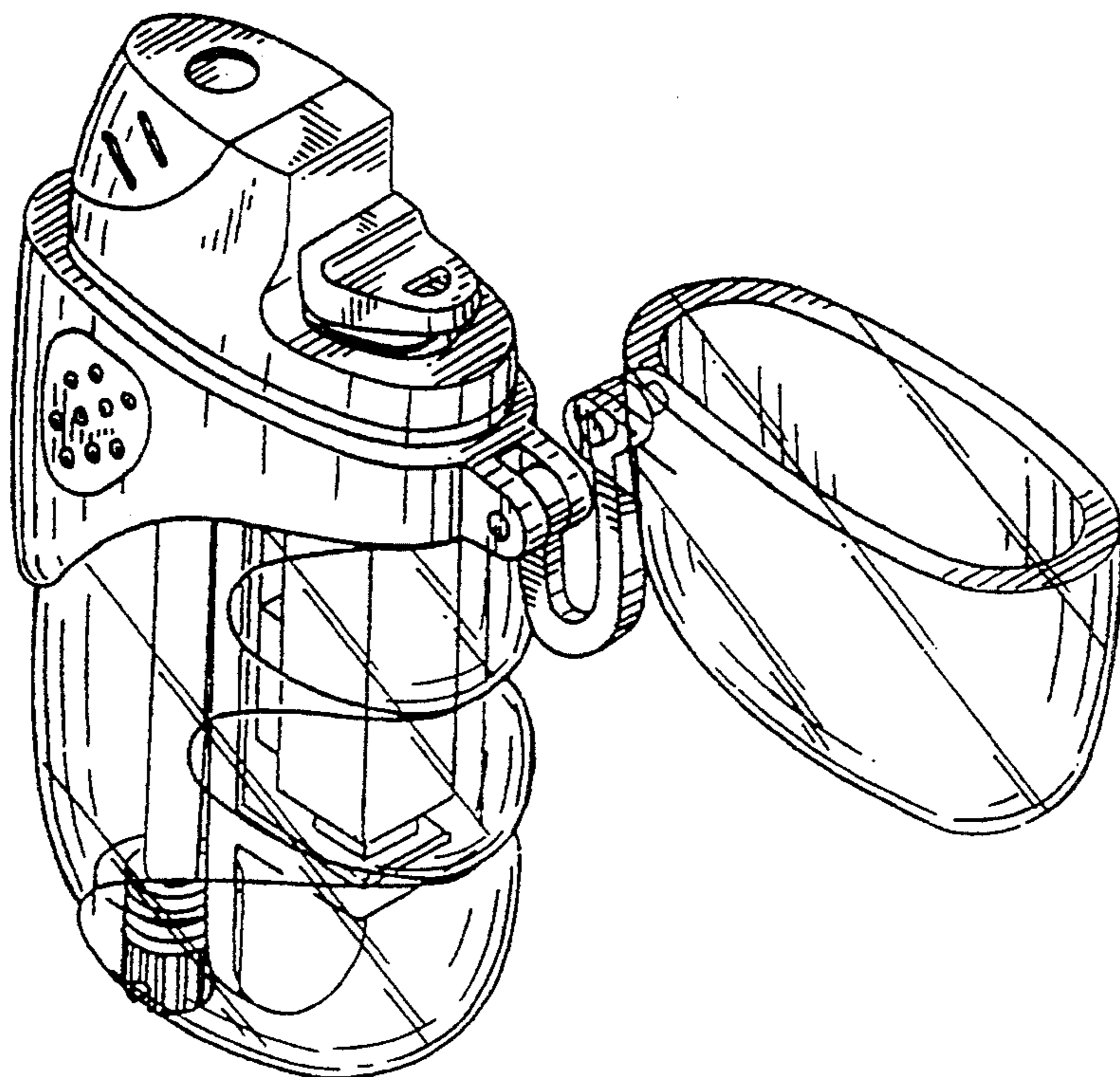


FIG. 16

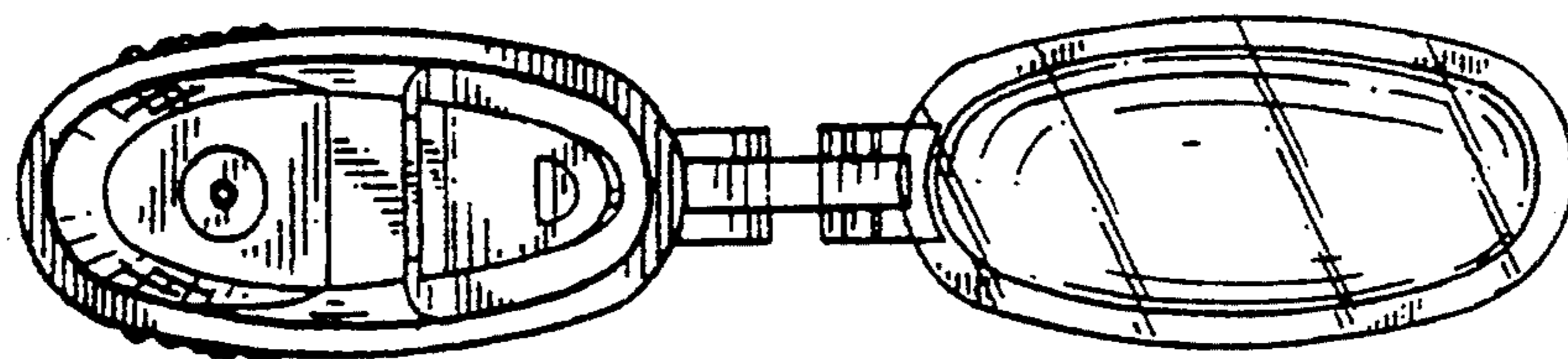


FIG. 17

