



US00D361862S

United States Patent [19] Havens

[11] Patent Number: **Des. 361,862**

[45] Date of Patent: **** Aug. 29, 1995**

- [54] **ROUND ASHTRAY**
- [75] Inventor: **W. Clair Havens**, 1157 SW. 10th Ave., Ontario, Oreg. 97914
- [73] Assignees: **W. Clair Havens; Earl Cheatham**, Ontario, Oreg.
- [**] Term: **14 Years**
- [21] Appl. No.: **26,501**
- [22] Filed: **Jul. 29, 1994**
- [52] U.S. Cl. **D27/102; D27/135**
- [58] Field of Search **D9/341, 432; D27/102-112, 117, 118, 125, 126, 277, 131-135, 137; 131/231, 238, 240.1, 241, 242**

5,020,549 6/1991 Wojcik 131/231
 5,287,862 2/1994 Pruyne 131/240.1

OTHER PUBLICATIONS

Pruyne Perfect Plastics-Smokeless Ashtray brochure Mar. 4, 1992.

Primary Examiner—Louis S. Zarfes
Assistant Examiner—Monica A. Hannon
Attorney, Agent, or Firm—Ken J. Pedersen; Barbara S. Pedersen

[56] References Cited

U.S. PATENT DOCUMENTS

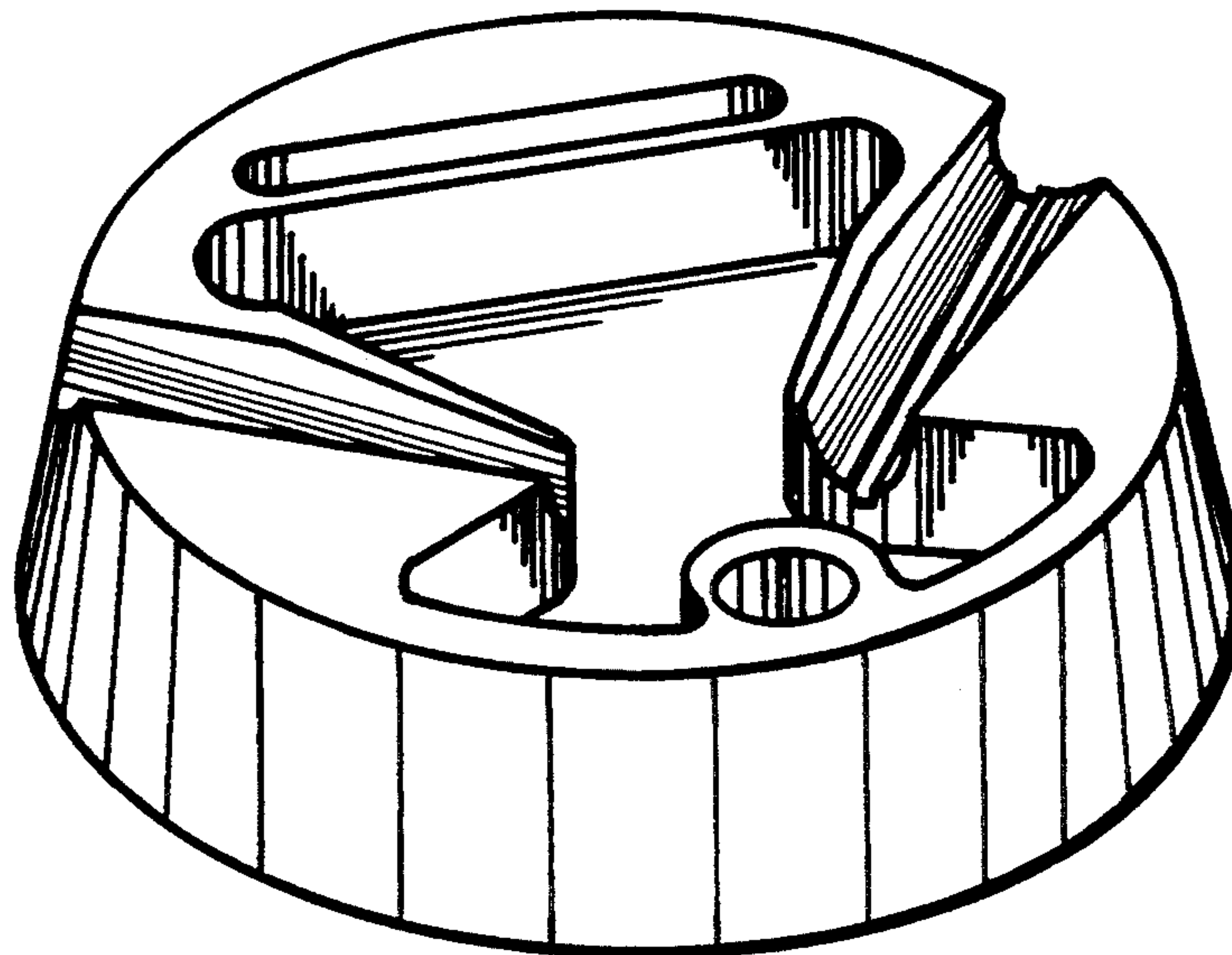
D. 44,122	6/1913	Astruck	D27/133
D. 152,313	1/1949	Andre	D27/126
D. 194,521	2/1963	Vasile	D27/126
1,220,167	3/1917	Astruck	131/240.1
4,108,153	8/1978	Pearson	131/235 R
4,427,016	1/1984	Orter	131/240.1 X
4,473,084	9/1984	Marshall	131/235 R
4,982,746	1/1991	Pruyne	131/235.1

[57] CLAIM

The ornamental design for a round ashtray, as shown and described.

DESCRIPTION

FIG. 1 is a top perspective view of my round ashtray design, viewed from a position toward the back side of the round ashtray;
 FIG. 2 is a front side view of my design;
 FIG. 3 is a top view of my design;
 FIG. 4 is a back side view of my design;
 FIG. 5 is a bottom view of my design;
 FIG. 6 is a right side view of my design; and,
 FIG. 7 is a left side view of my design.



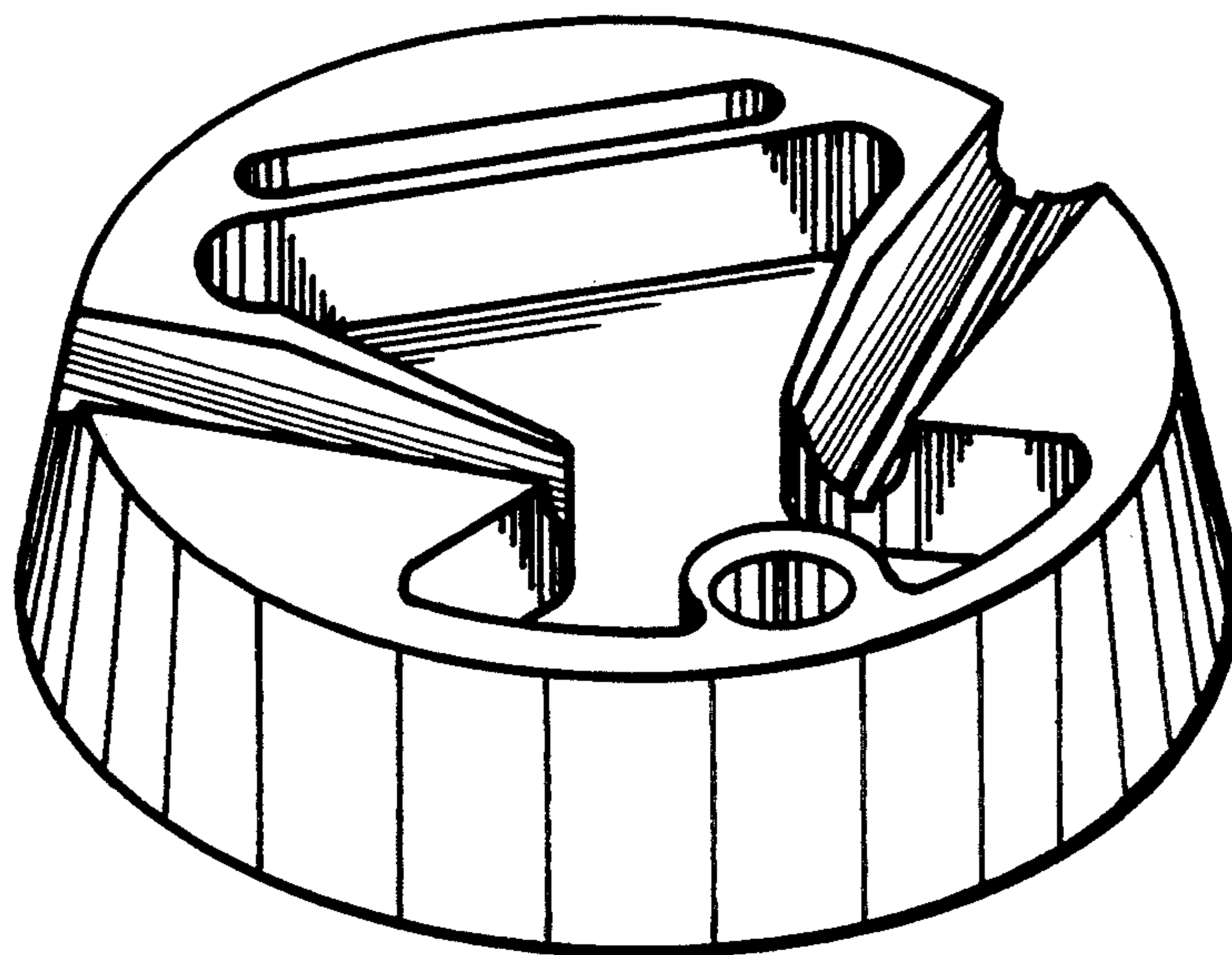


FIG. 1

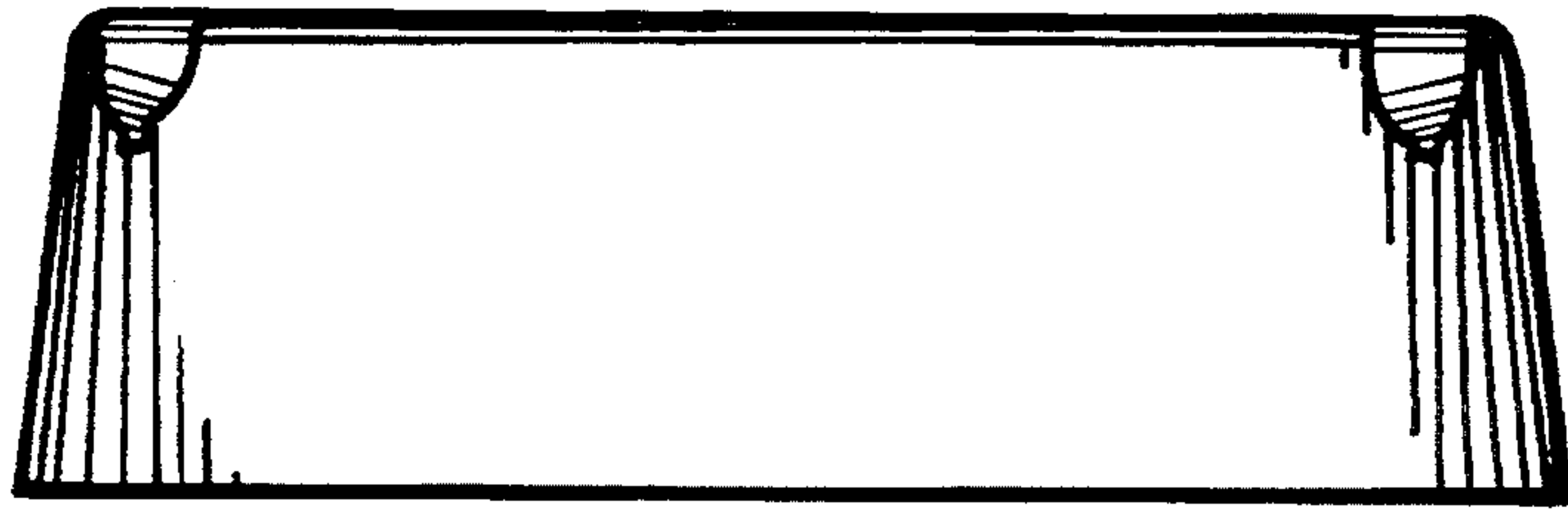


FIG. 2

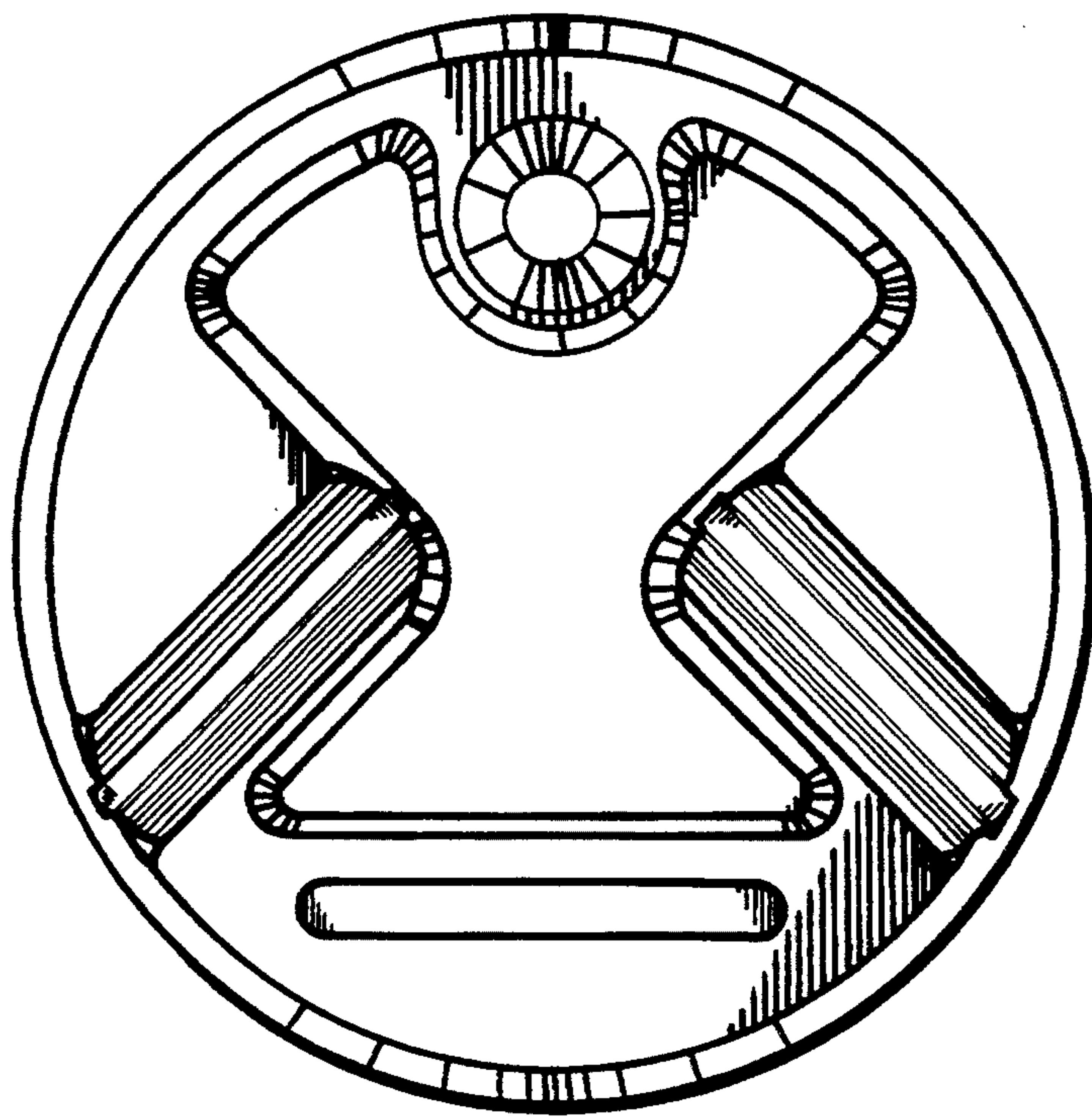


FIG. 3

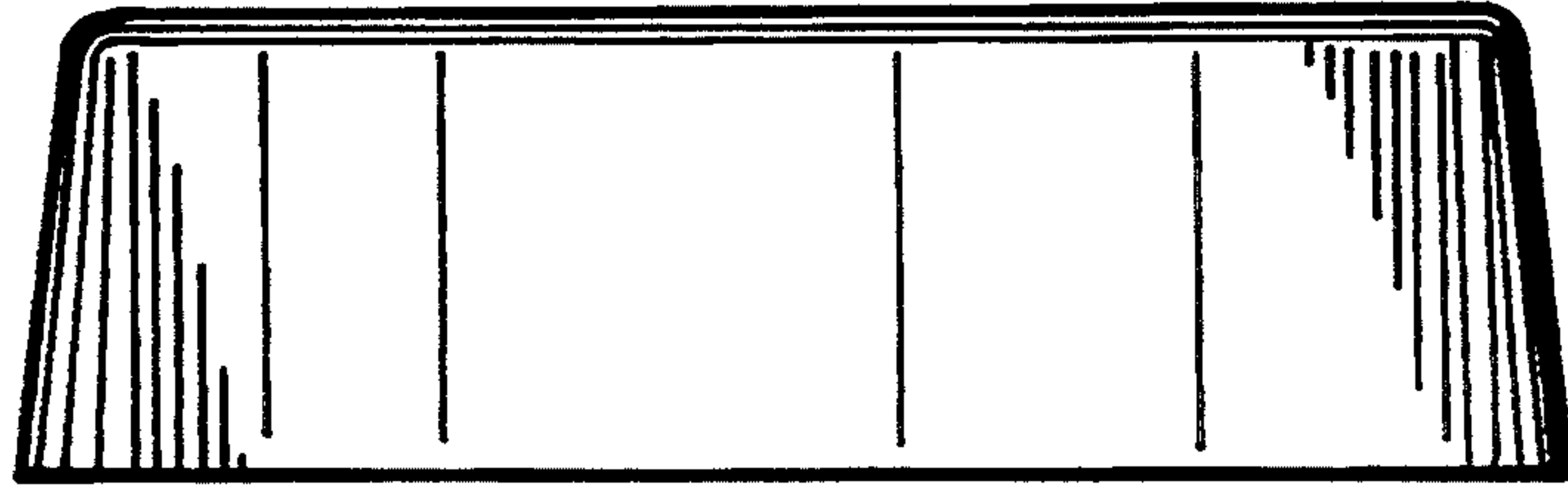


FIG. 4

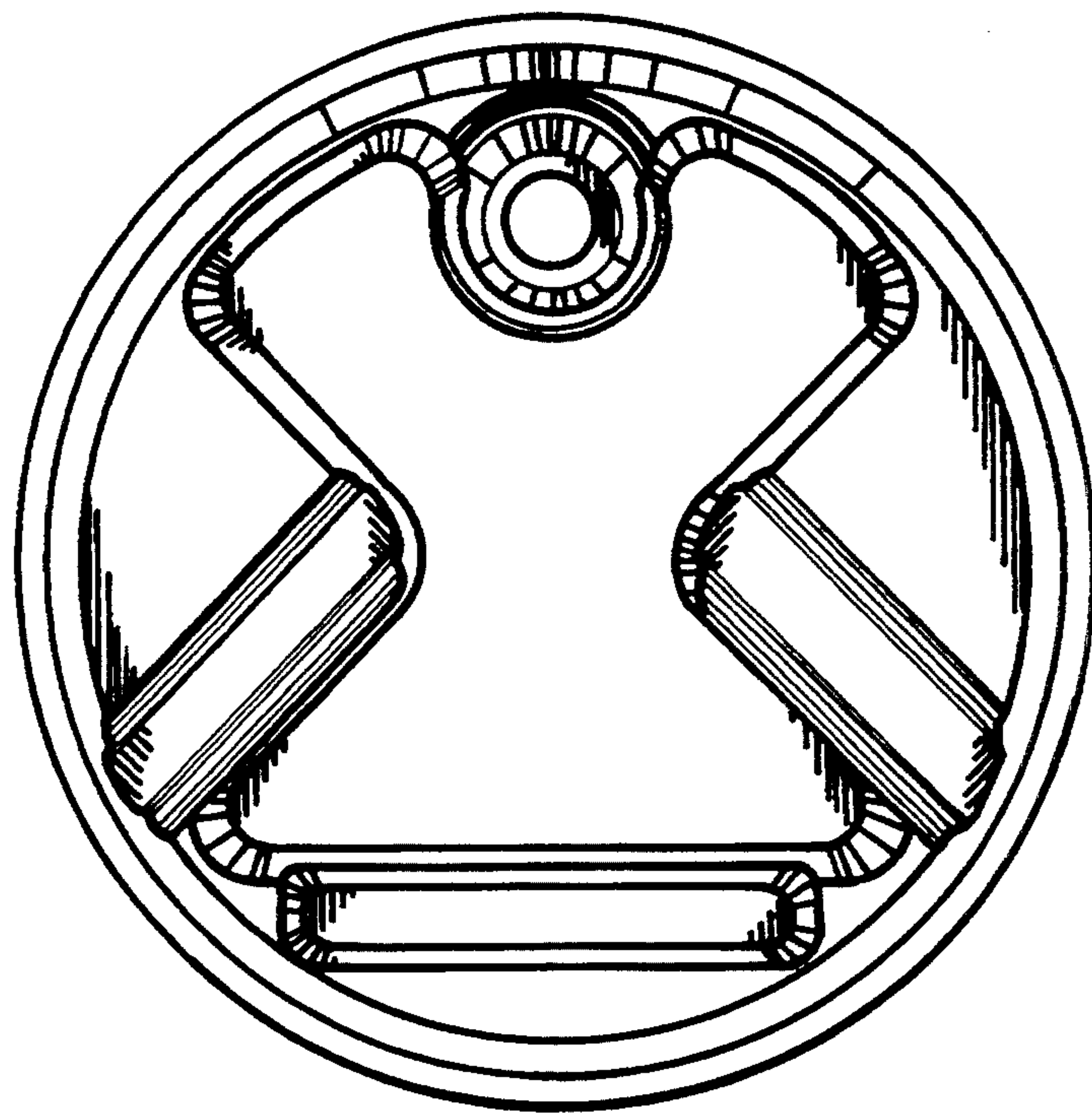


FIG. 5

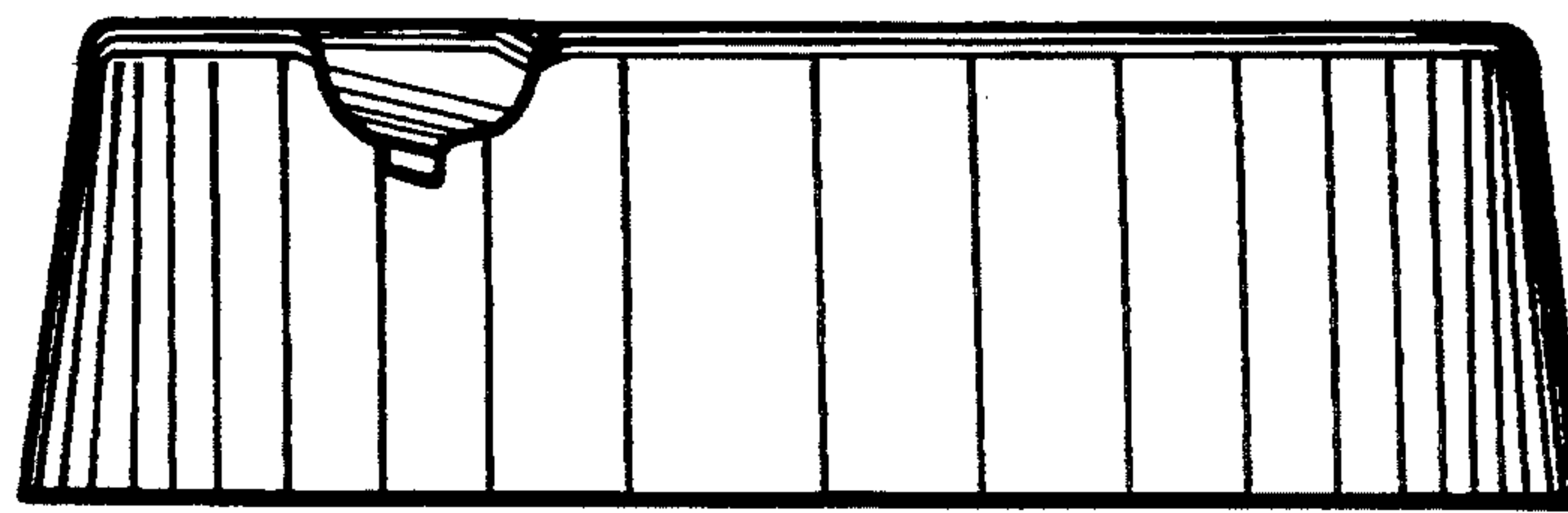


FIG. 6

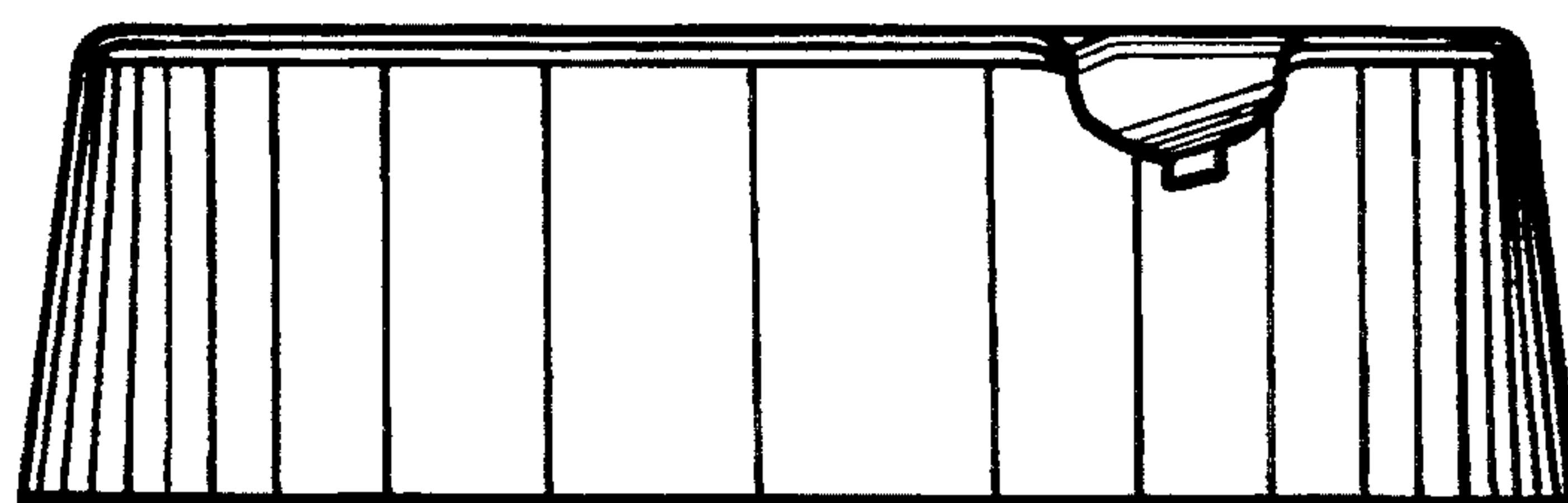


FIG. 7