



US00D361856S

United States Patent [19]

[11] Patent Number: **Des. 361,856**

Ziegler

[45] Date of Patent: **** Aug. 29, 1995**

[54] **REMOTE CONTROL ILLUMINATION DEVICE**

4,831,500	5/1989	McNemar .	
4,893,222	1/1990	Mintzer	362/109
4,949,230	8/1990	Burmeister .	
5,010,462	4/1991	Mintzer	362/109
5,055,977	10/1991	AcGuanetta	362/23

[76] Inventor: **Carl F. Ziegler, 14094 N. Hyde Ave., Hugo, Minn. 55038**

[**] Term: **14 Years**

Primary Examiner—Susan J. Lucas
Attorney, Agent, or Firm—Patterson & Keough

[21] Appl. No.: **21,004**

[57] **CLAIM**

[22] Filed: **Apr. 7, 1994**

The ornamental design for a remote control illumination device, as shown and described.

[52] U.S. Cl. **D26/37; D14/218**

[58] Field of Search **D26/37, 38; 362/23, 362/85, 109, 98, 99, 190, 191; D14/218**

DESCRIPTION

[56] **References Cited**

U.S. PATENT DOCUMENTS

- 1,636,211 7/1925 Bramming .
- 2,805,324 11/1953 Zedric, Jr. .
- 2,918,036 5/1958 Giordana .
- 3,009,051 11/1961 Biltroff .
- 3,092,335 1/1961 Wilson .
- 4,432,042 2/1984 Zeller .
- 4,772,986 9/1988 McNemar .
- 4,779,170 10/1888 Lockwood et al. .
- 4,823,241 4/1989 Trattner .

FIG. 1 is a perspective view of a remote control illumination device showing my new design;

FIG. 2 is a top plan view;

FIG. 3 is a bottom plan view;

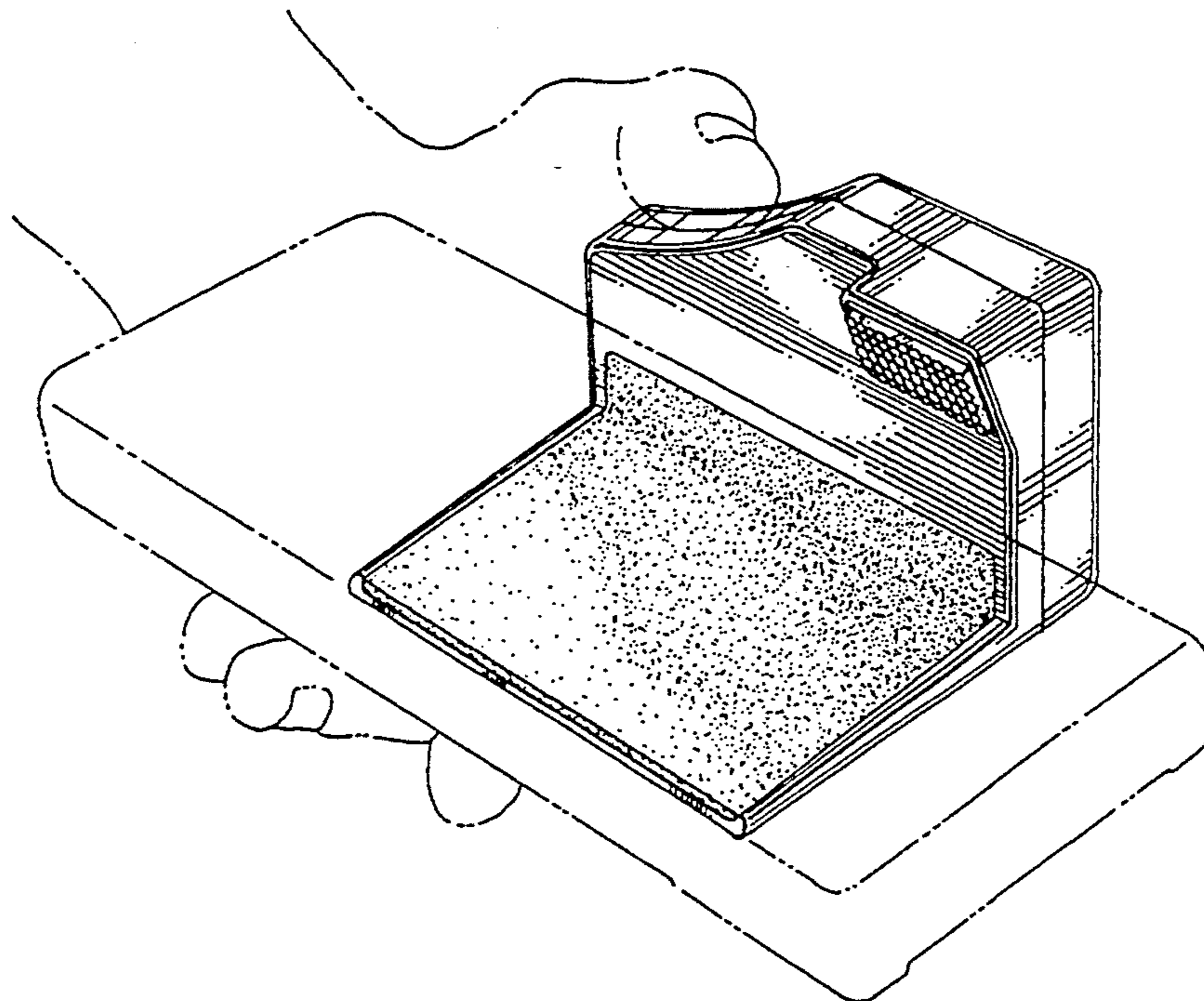
FIG. 4 is a rear elevational view;

FIG. 5 is a front elevational view;

FIG. 6 is a right side elevational view; and,

FIG. 7 is a left side elevational view.

The broken line showings of a hand and a remote control illumination device in FIG. 1 are for illustrative purposes only and forms no part of the claimed design.



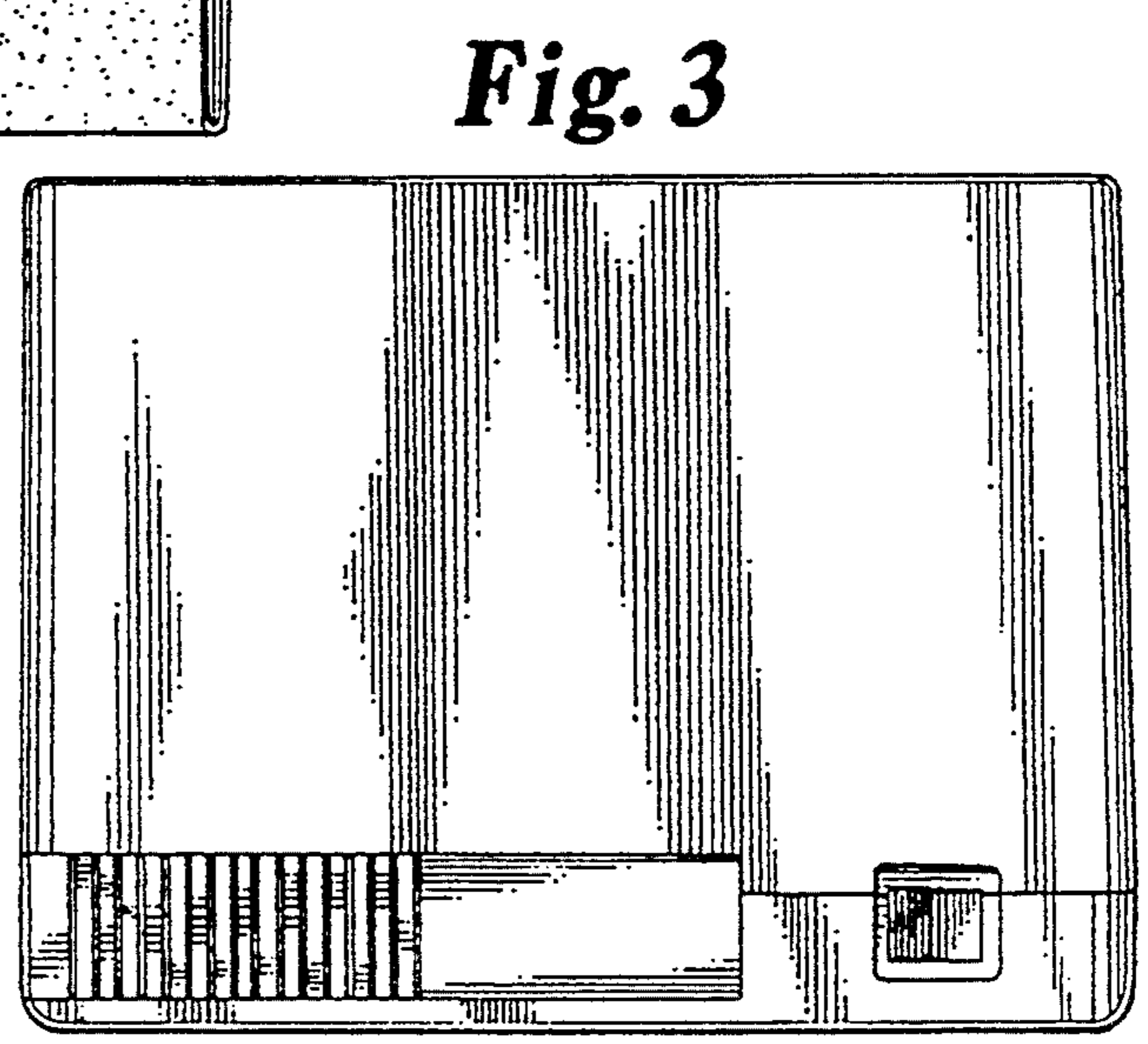
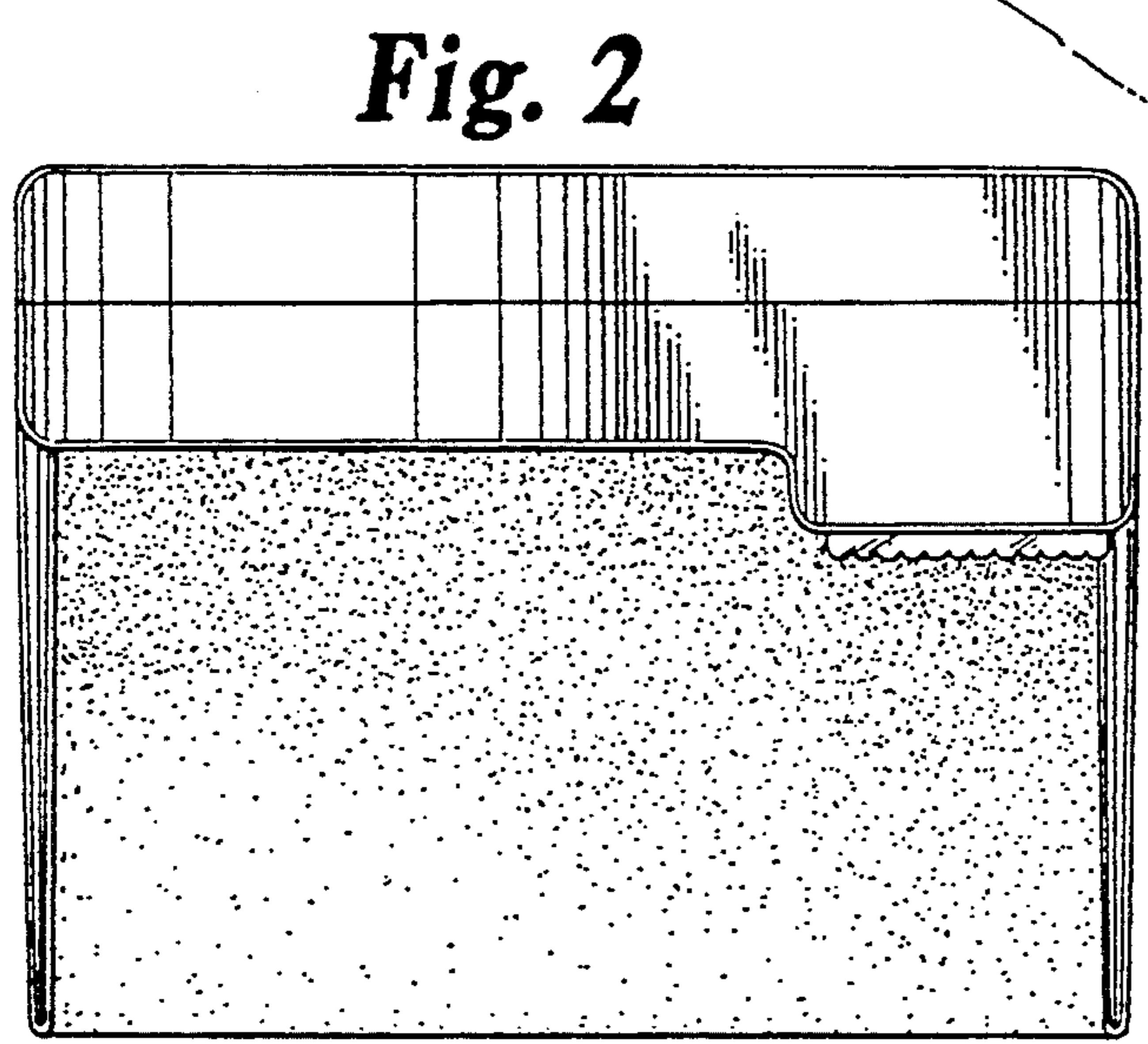
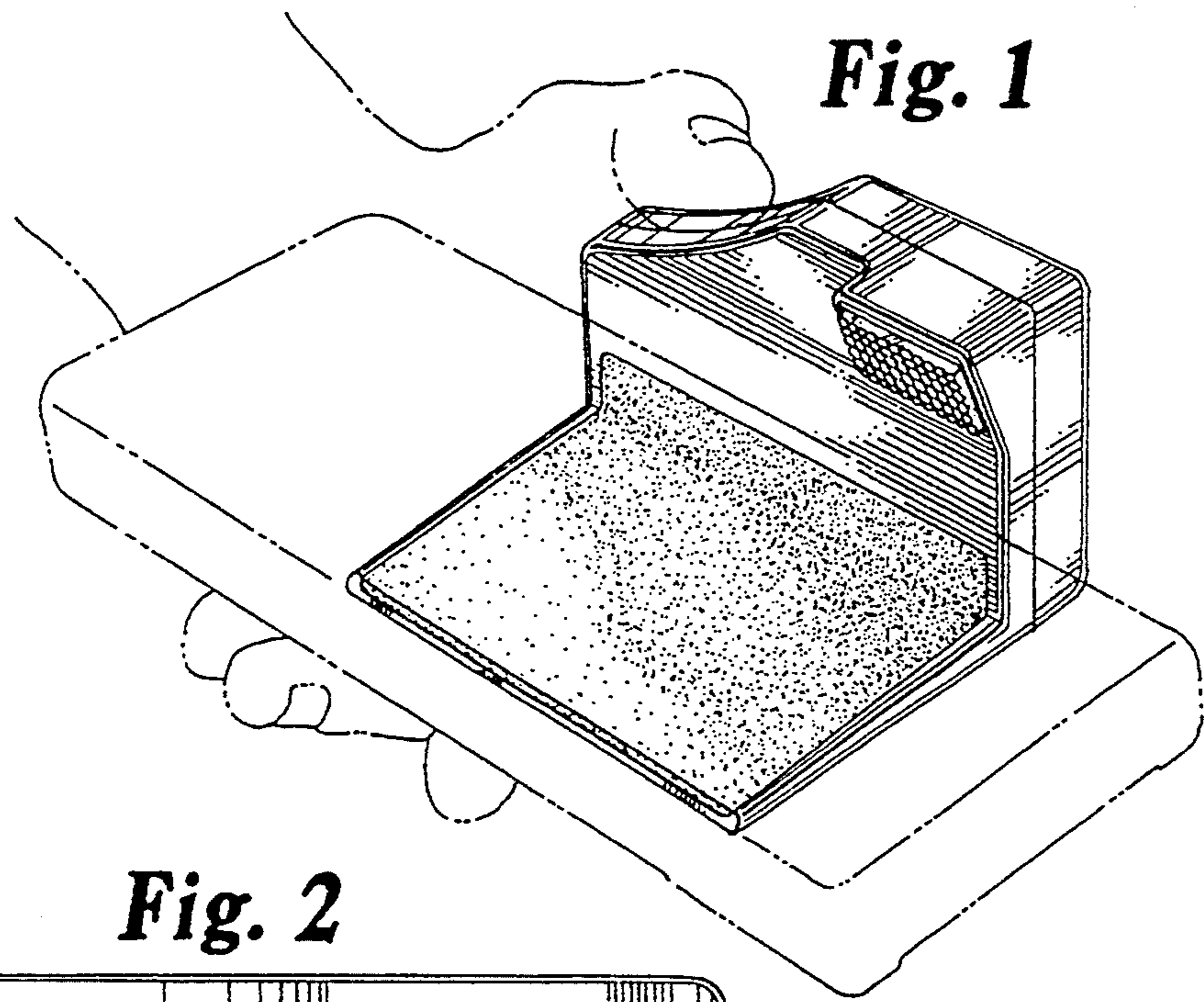


Fig. 4

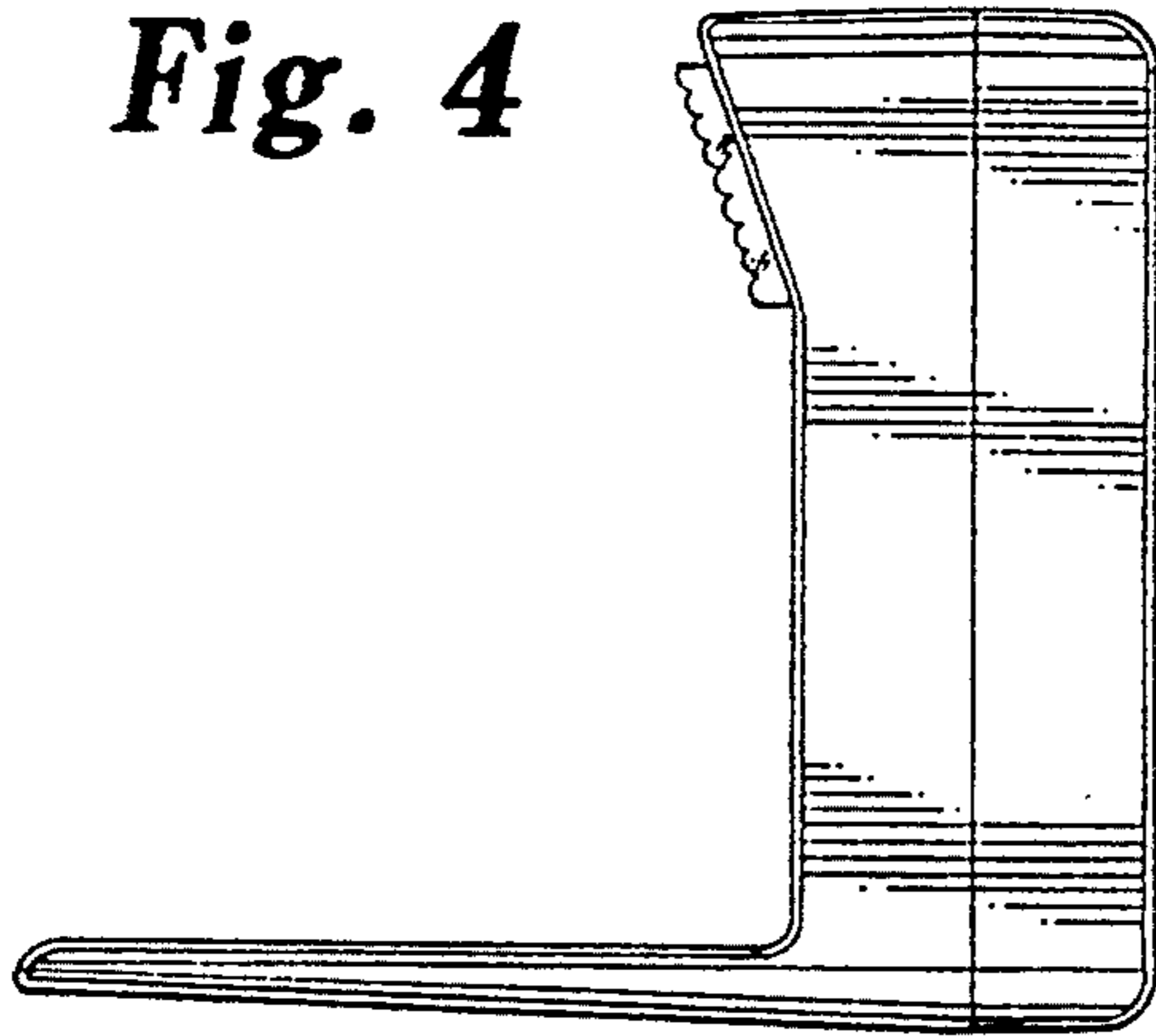


Fig. 5

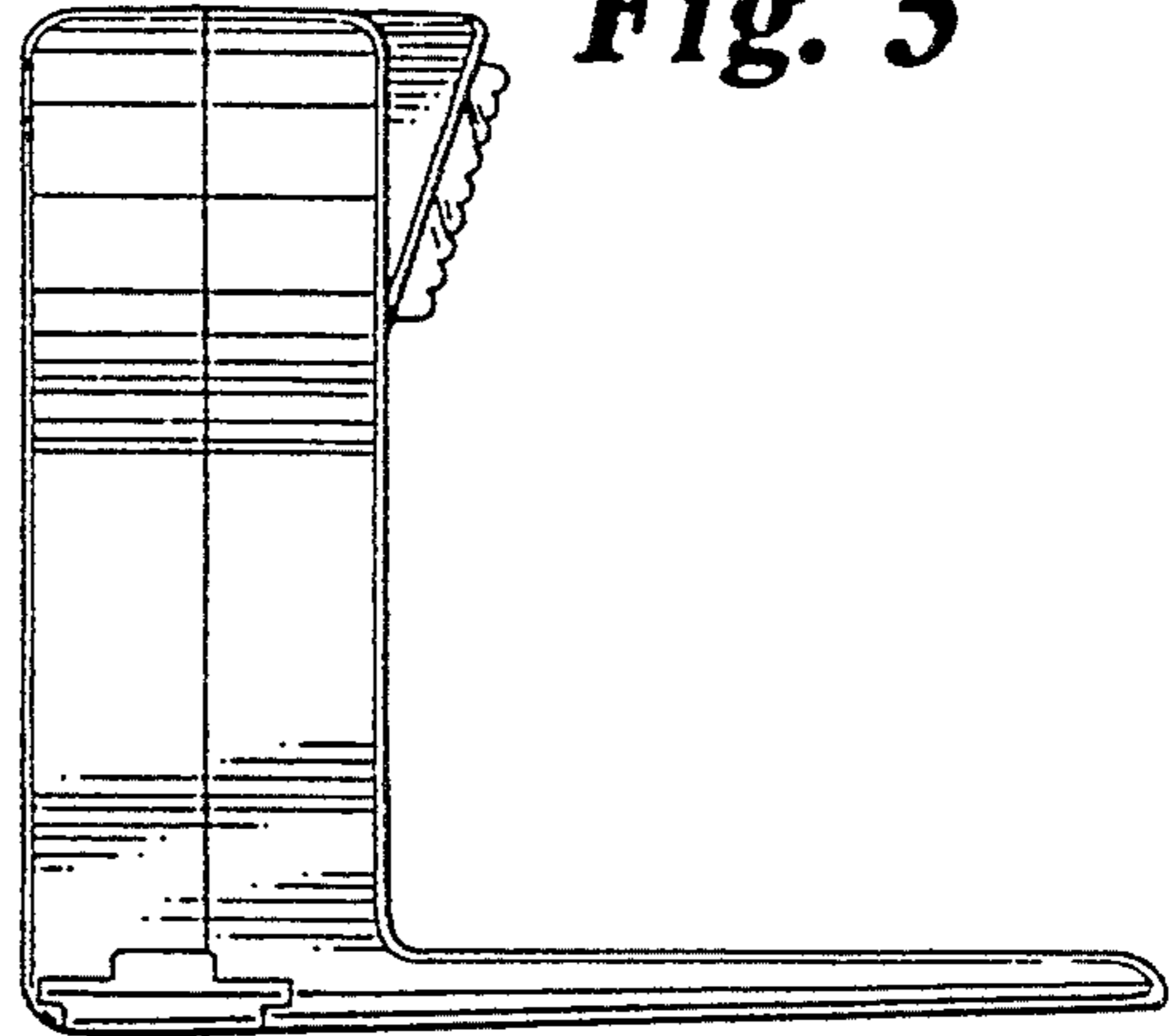


Fig. 6

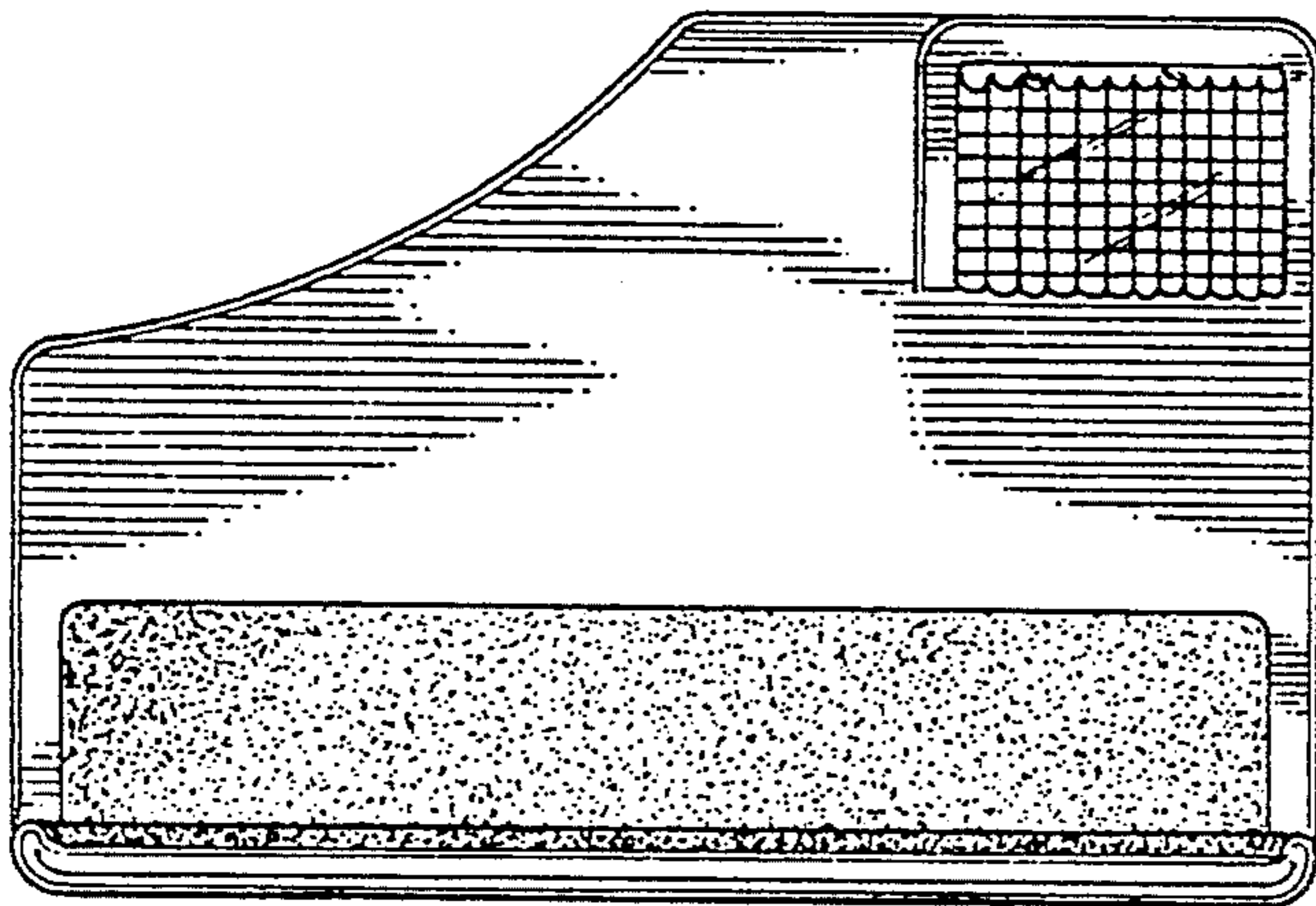


Fig. 7

