



US00D361855S

United States Patent [19]

[11] Patent Number: **Des. 361,855**

Jones et al.

[45] Date of Patent: **** Aug. 29, 1995**

[54] PURSE LIGHT

3,609,341	9/1971	Castaldo	362/156
4,742,438	5/1988	King .	
4,912,611	3/1990	Lyle	362/156
4,954,934	9/1990	Kidder et al.	362/156
4,975,304	11/1990	Ylla	362/156

[76] Inventors: **Harvey Jones**, 2402 N. Hwy 175 #314; **Lavette Stubblefield**, 2402 N. Hwy., #314, both of Seagoville, Tex. 75159

Primary Examiner—Brian N. Vinson
Assistant Examiner—Robin V. Taylor
Attorney, Agent, or Firm—Terry M. Gernstein

[**] Term: **14 Years**

[21] Appl. No.: **20,502**

[57] CLAIM

[22] Filed: **Mar. 28, 1994**

The ornamental design for a purse light, as shown and described.

[52] U.S. Cl. **D26/37**

[58] Field of Search **D26/37-50;**
362/109, 136, 156-158, 163, 171-173, 178,
181-183, 188-189, 192, 194, 196-197, 200-206,
257, 261-262

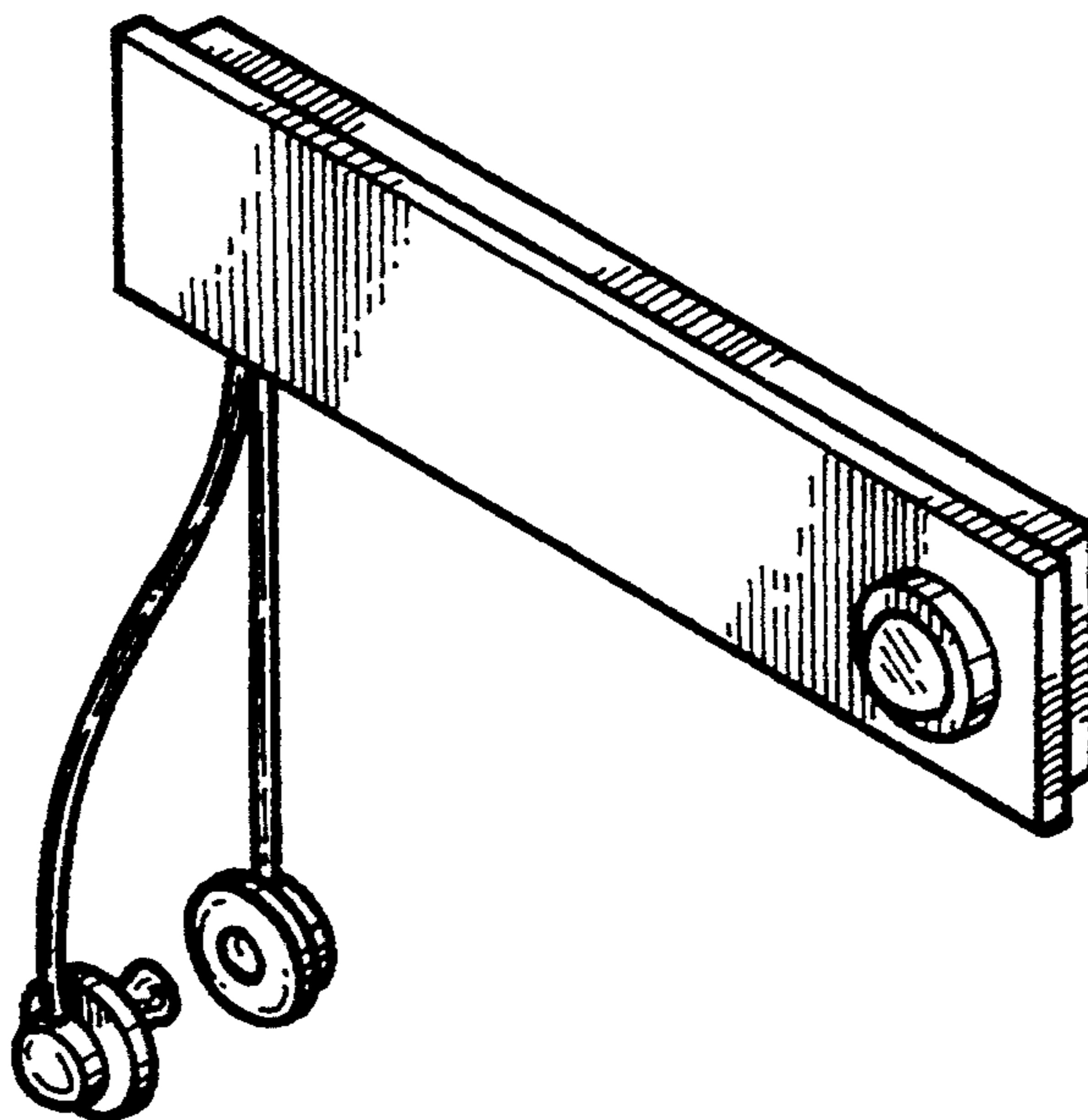
DESCRIPTION

[56] References Cited

U.S. PATENT DOCUMENTS

2,003,130	5/1935	Beajafeld	362/136
2,215,730	9/1940	Wallman	362/136
2,316,419	4/1943	Hallbauer	362/194

FIG. 1 is an exploded perspective view of the purse light showing our new design;
FIG. 2 is an end elevational view thereof, the end opposite being a mirror image of the end shown in FIG. 2;
FIG. 3 is a front elevational view thereof;
FIG. 4 is a rear elevational view thereof;
FIG. 5 is a top plan view thereof; and,
FIG. 6 is a bottom plan view thereof.



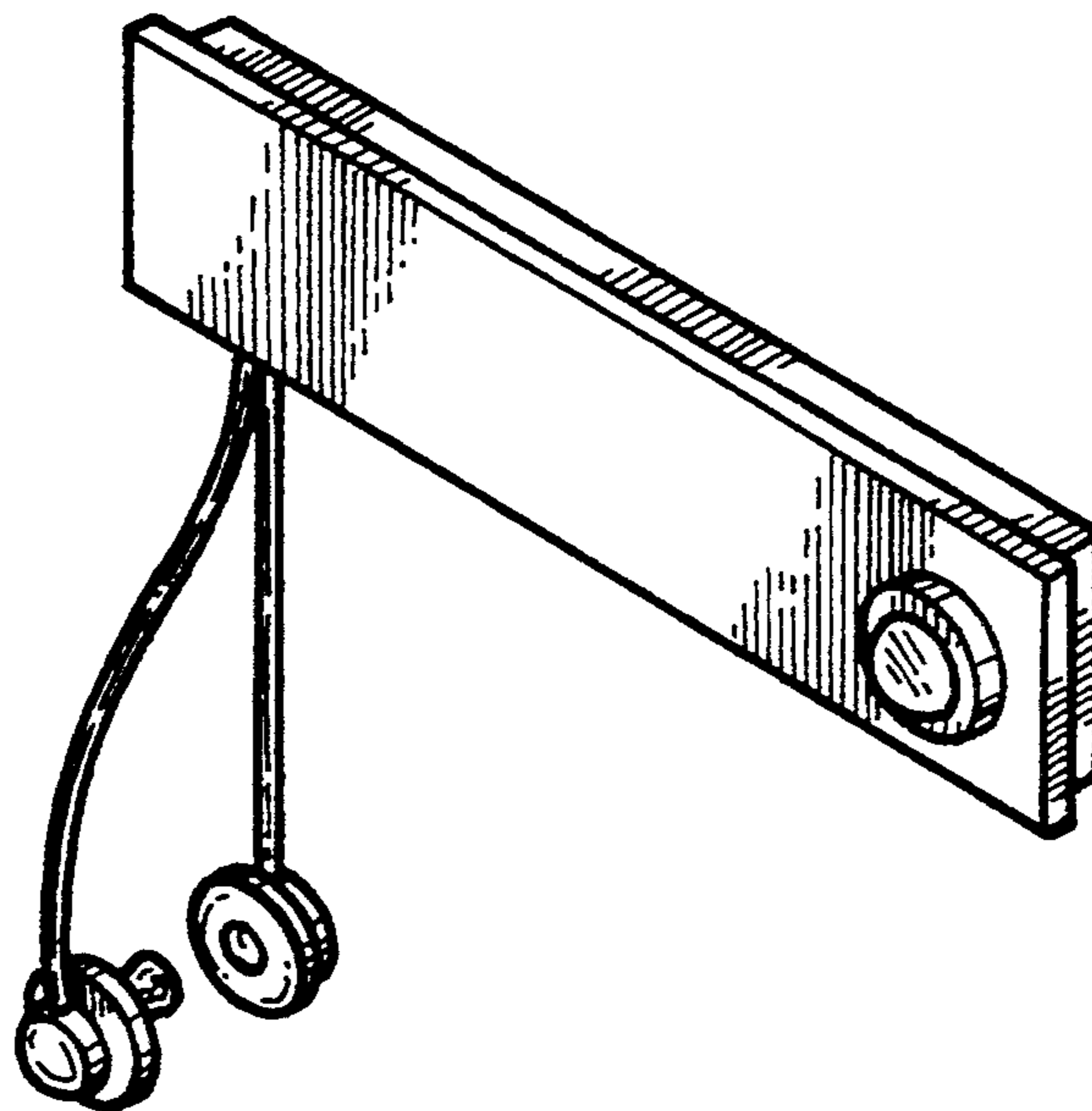


FIG. 1

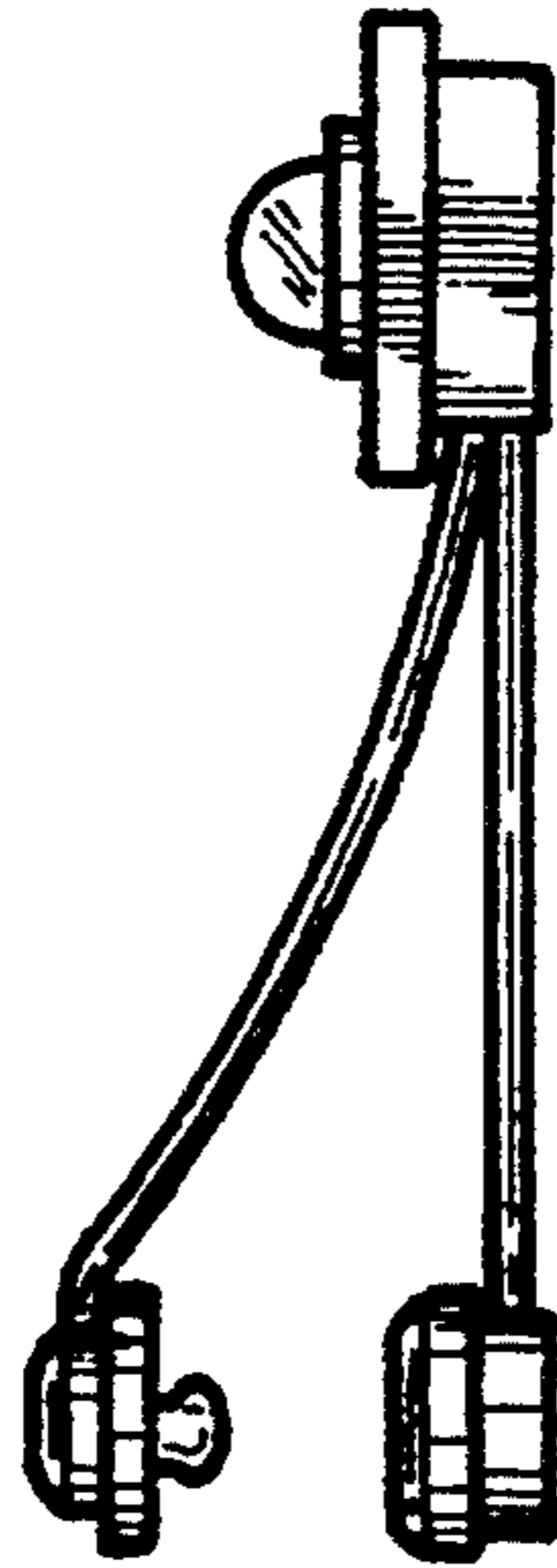


FIG. 2

FIG. 3

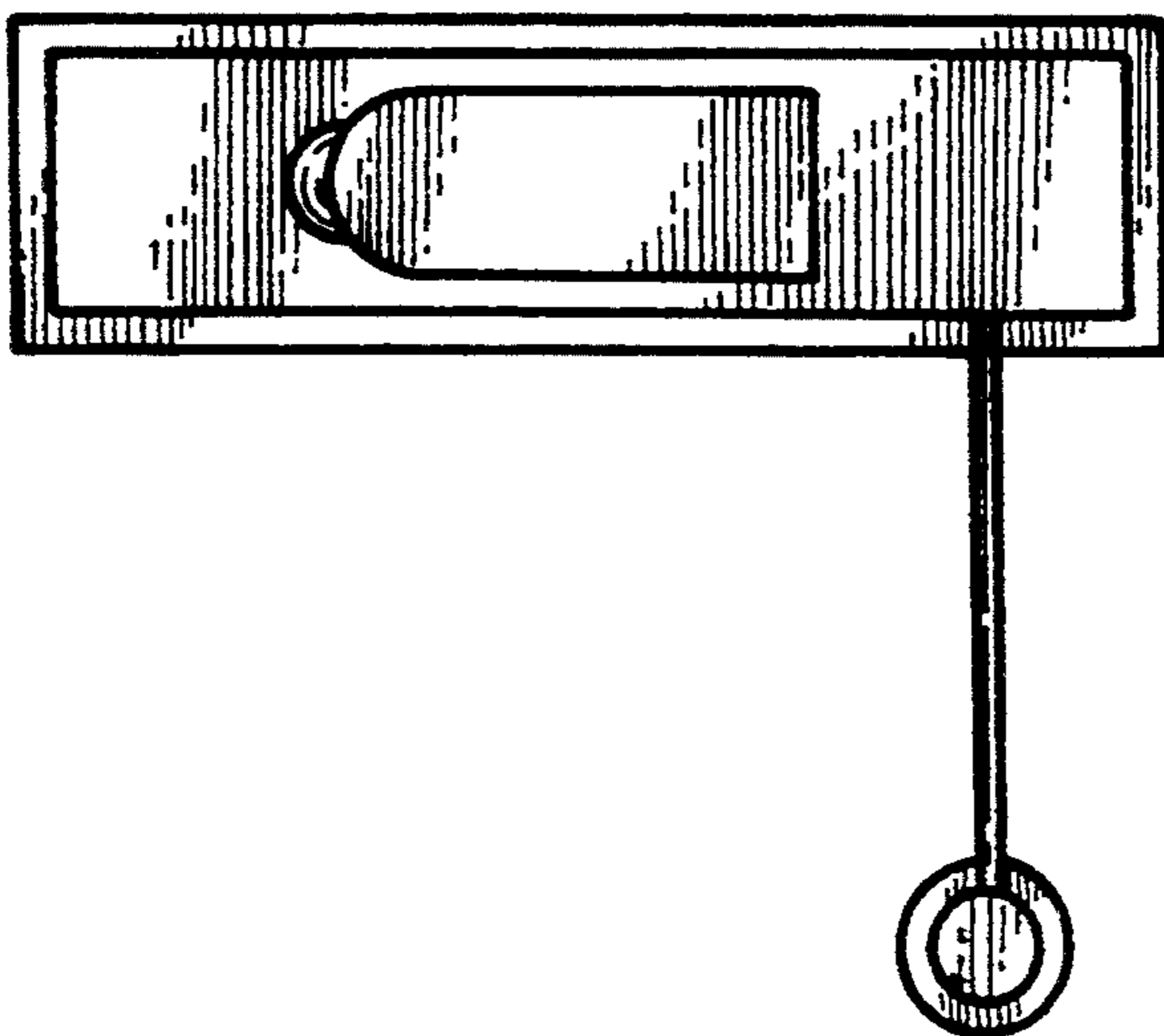
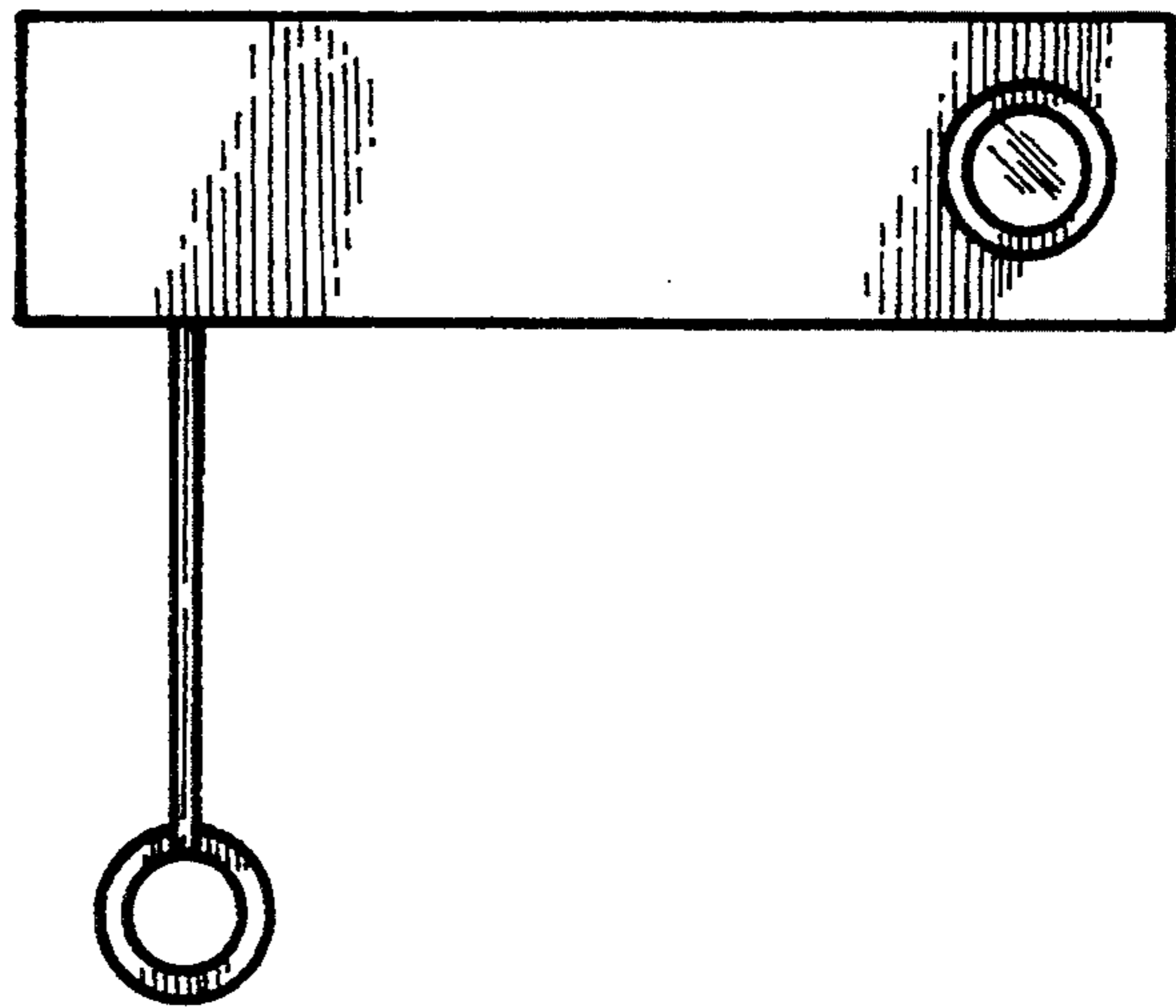


FIG. 4

FIG. 5



FIG. 6

