



US00D361847S

United States Patent [19]

[11] Patent Number: **Des. 361,847**

Cetrulo

[45] Date of Patent: **** Aug. 29, 1995**

[54] **SPLIT CORNER SLIP-ON PIPE FITTING**

5,257,794 11/1993 Nakamura 211/182
5,326,337 7/1994 Pardella 403/170

[75] Inventor: **Marc E. Cetrulo, Ft. Thomas, Ky.**

OTHER PUBLICATIONS

[73] Assignee: **The Hollaender Manufacturing Co., Cincinnati, Ohio**

Drawing of 1¼"×1¼" Nu-Rail Inside Corner Fitting No. 22 dated Aug. 17, 1976.

[**] Term: **14 Years**

Primary Examiner—Doris Clark
Attorney, Agent, or Firm—Wood, Herron & Evans

[21] Appl. No.: **20,202**

[57] CLAIM

[22] Filed: **Mar. 21, 1994**

The ornamental design for a split corner slip-on pipe fitting, as shown and described.

[52] U.S. Cl. **D25/68; D25/61; D25/66**

DESCRIPTION

[58] Field of Search **D25/66, 68, 91; 403/231, 217, 169-170, 297; 182/27; 256/65; 211/186, 182**

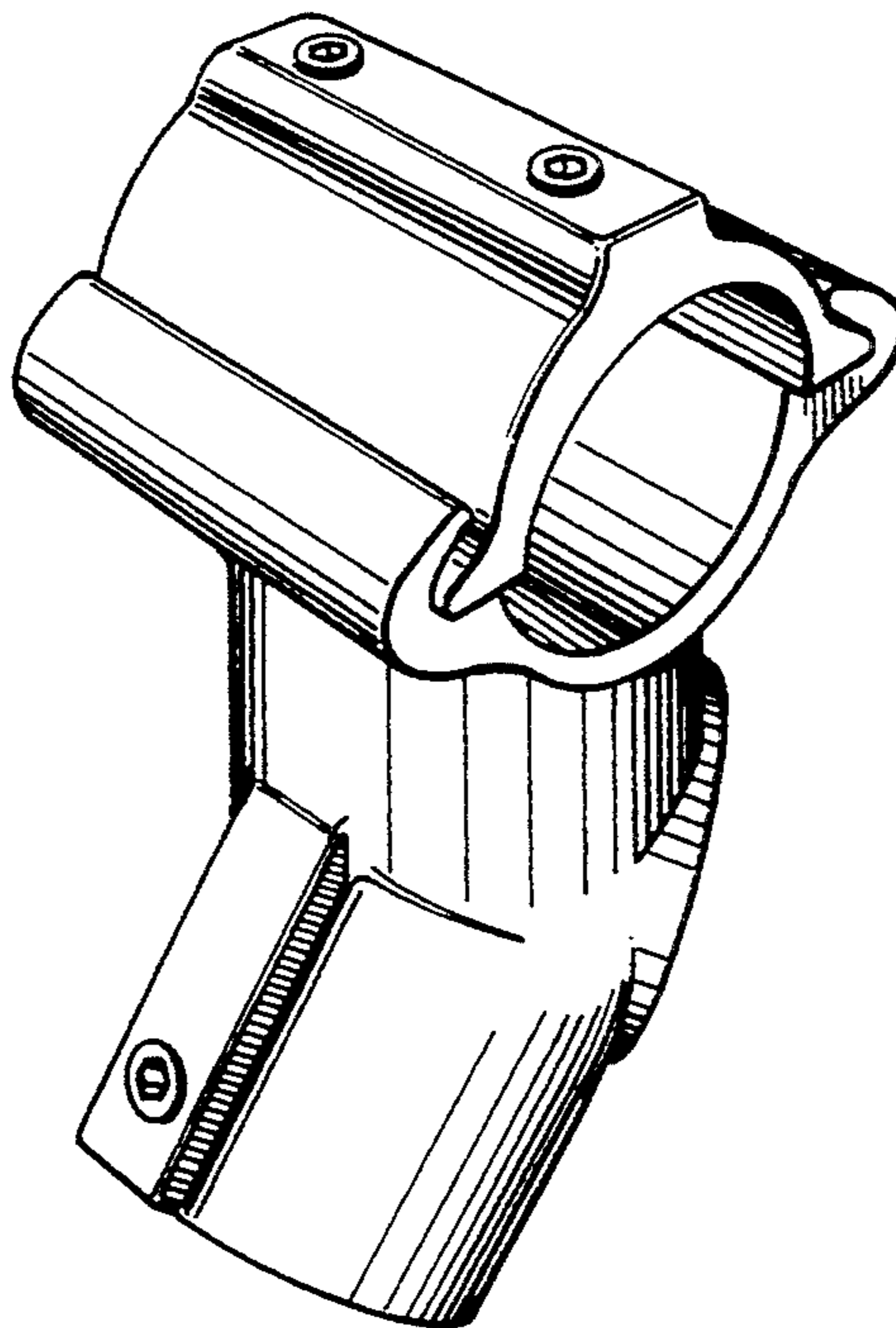
FIG. 1 is a perspective view of my split corner slip-on pipe fitting design, depicting the front, left side, and top thereof;

[56] References Cited

U.S. PATENT DOCUMENTS

D. 255,472	6/1980	Gabriel	D25/61
1,963,981	6/1934	Garrett	D25/66
2,904,360	9/1959	Gamlen	D25/68
4,610,432	9/1986	Lewis et al.	256/65

FIG. 2 is a front elevational view thereof;
FIG. 3 is a rear elevational view thereof;
FIG. 4 is a left side elevational view thereof;
FIG. 5 is a right side elevational view thereof;
FIG. 6 is a top plan view thereof; and,
FIG. 7 is a bottom plan view thereof.



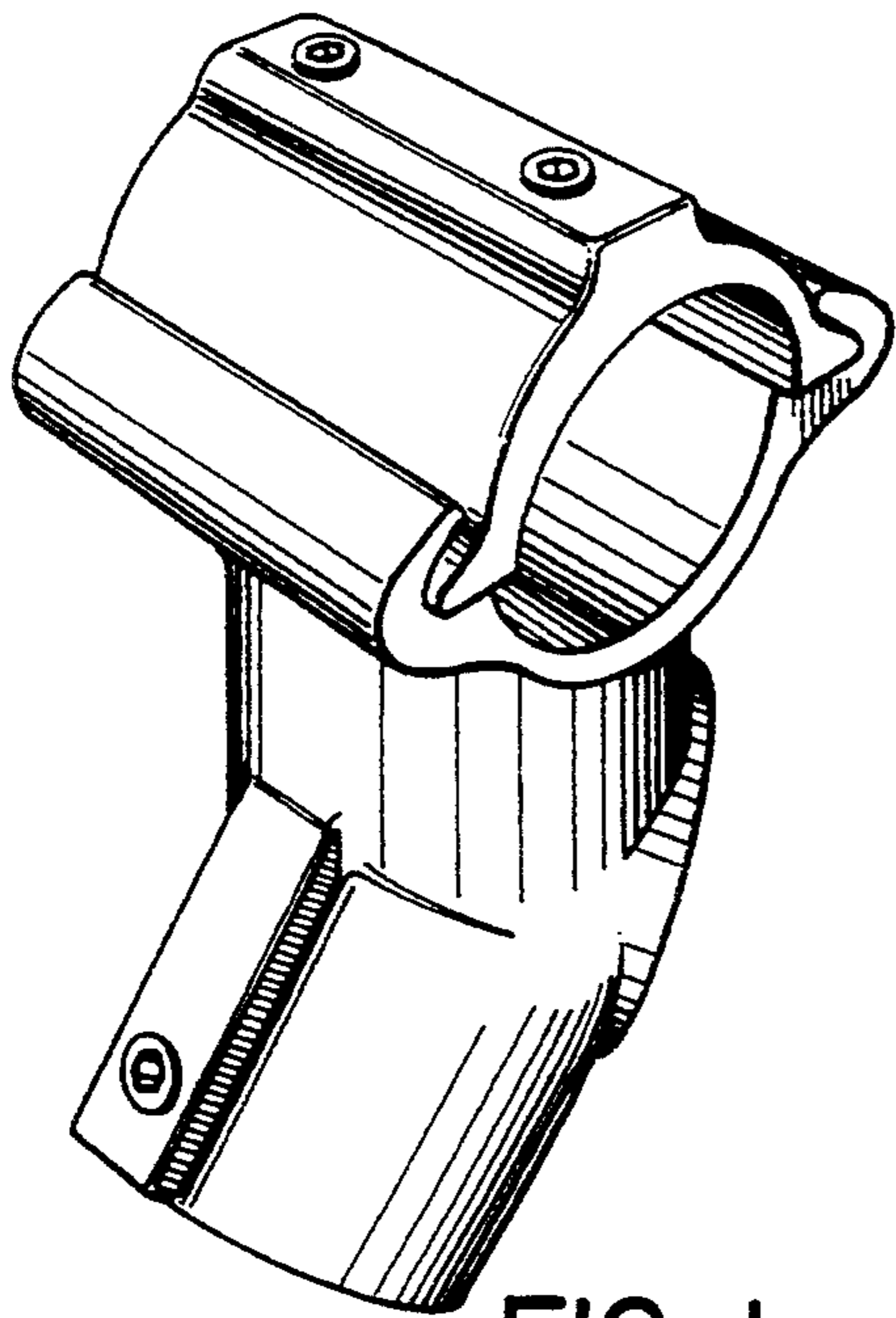


FIG. 1

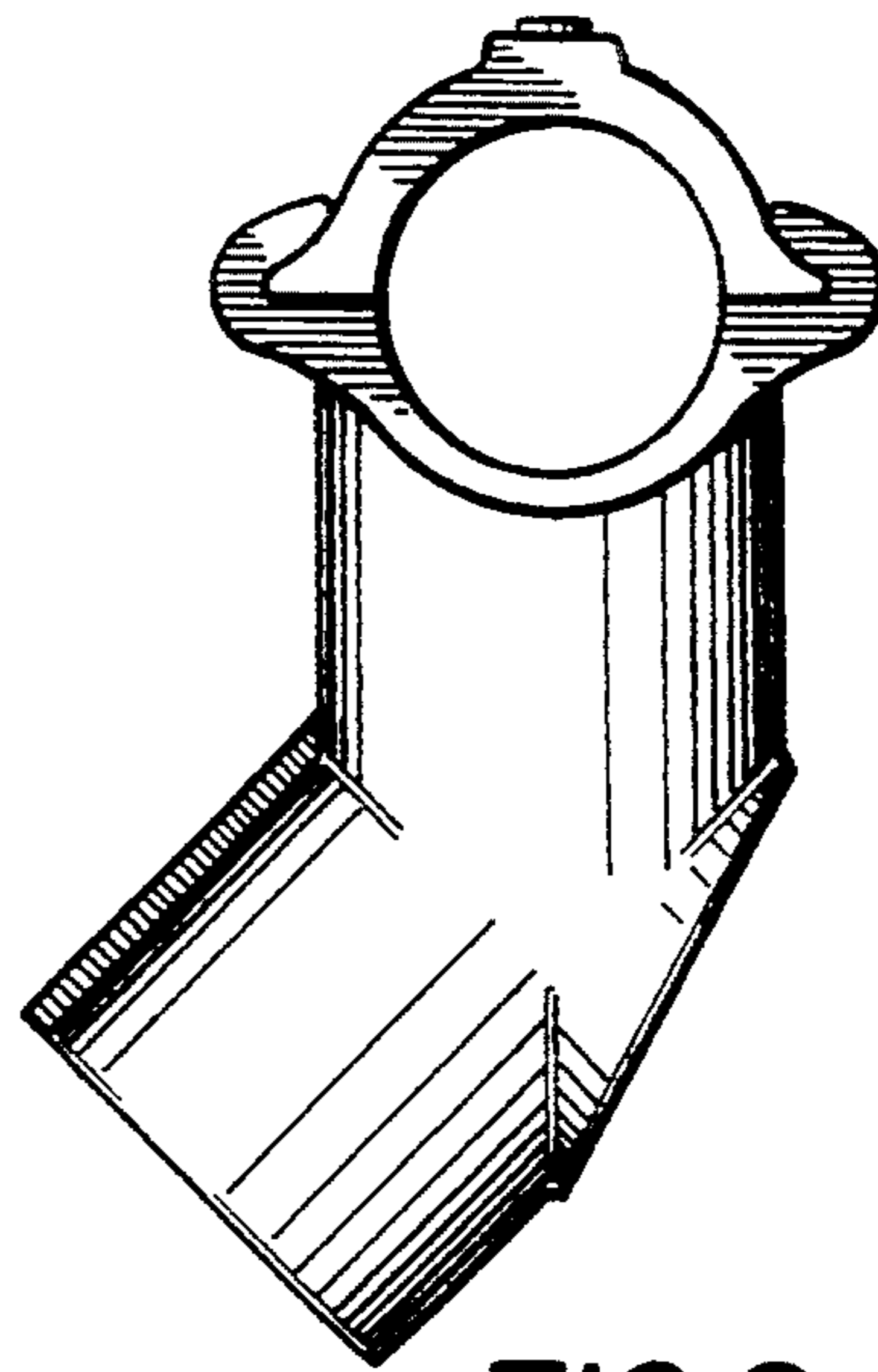


FIG. 2

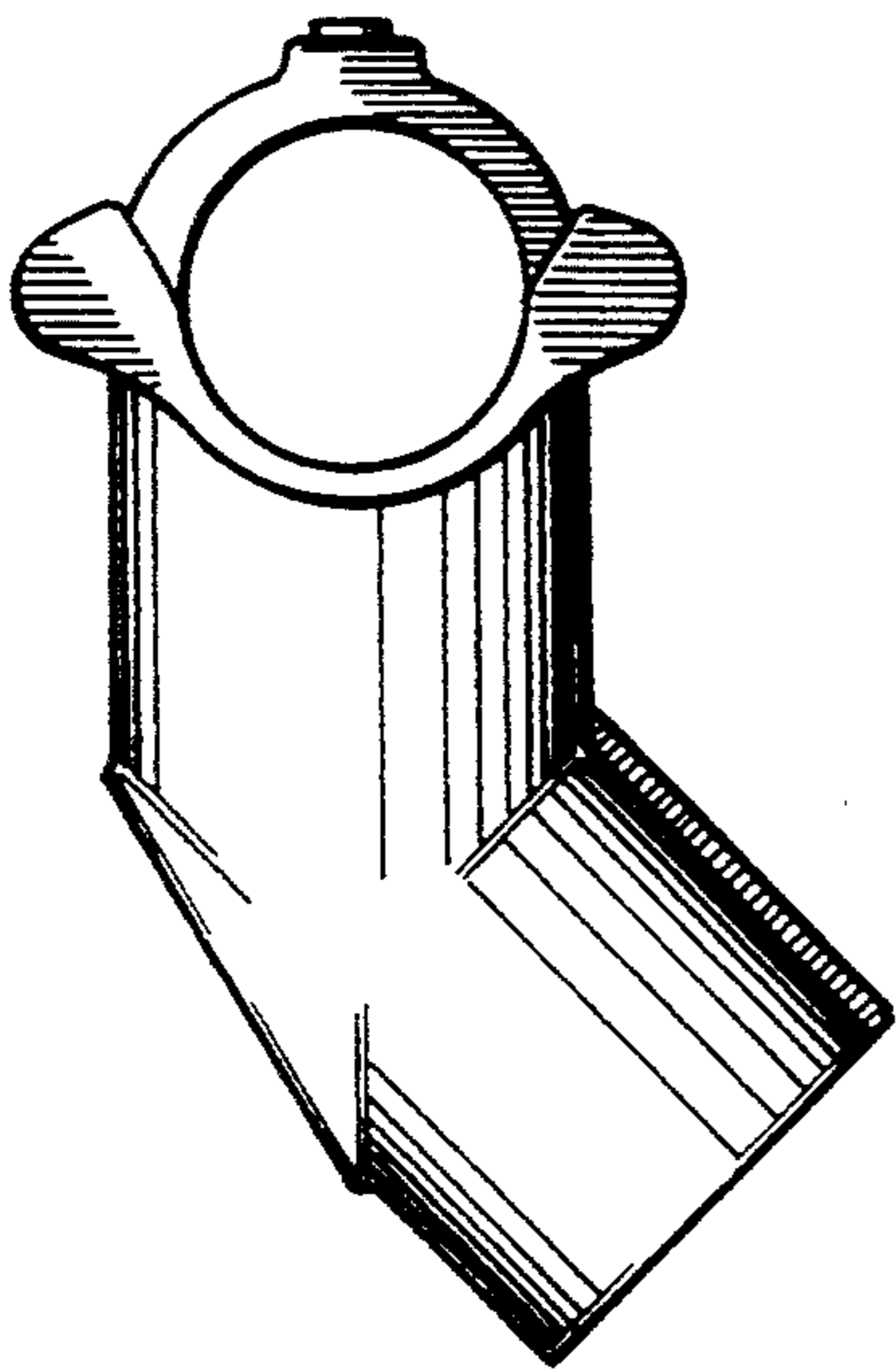


FIG. 3

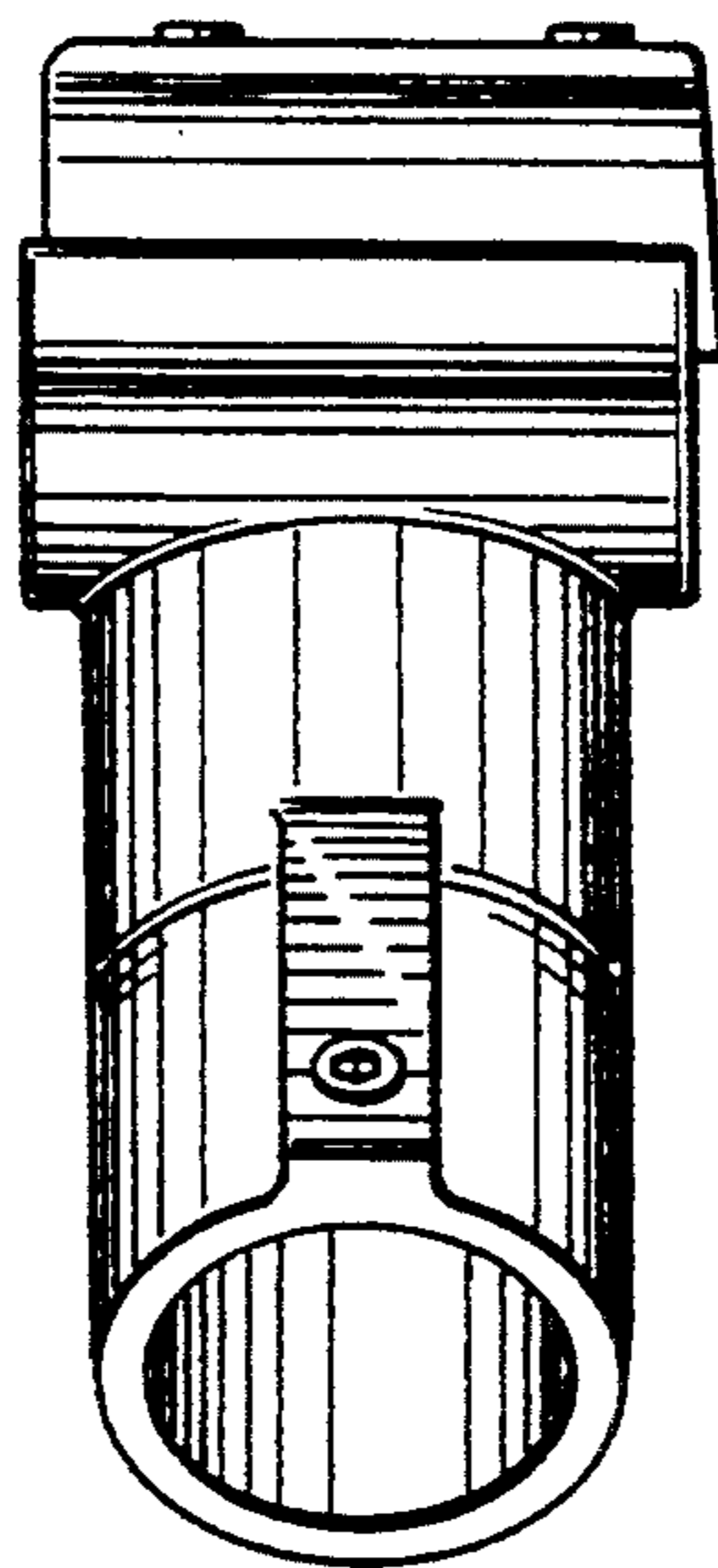


FIG. 4

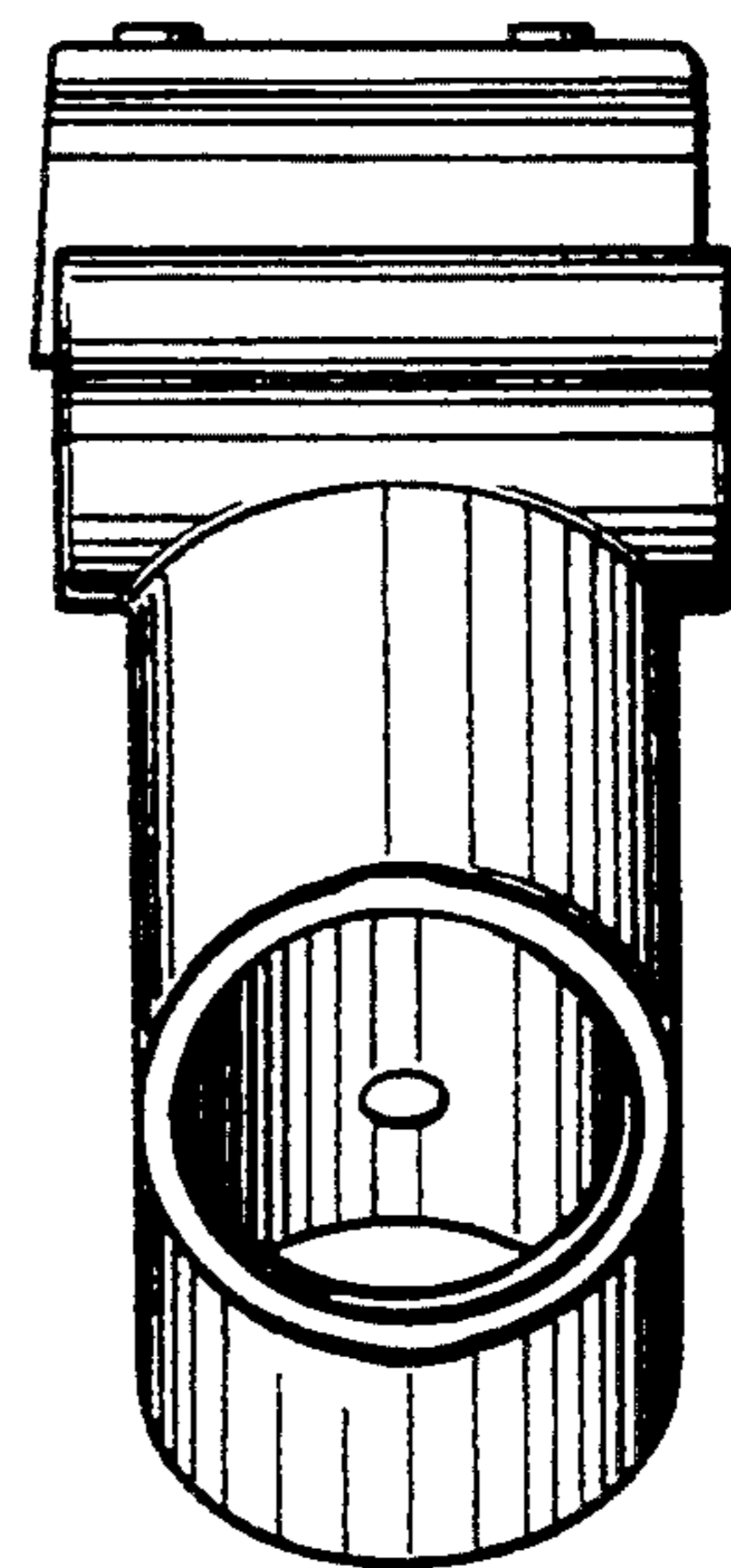


FIG. 5

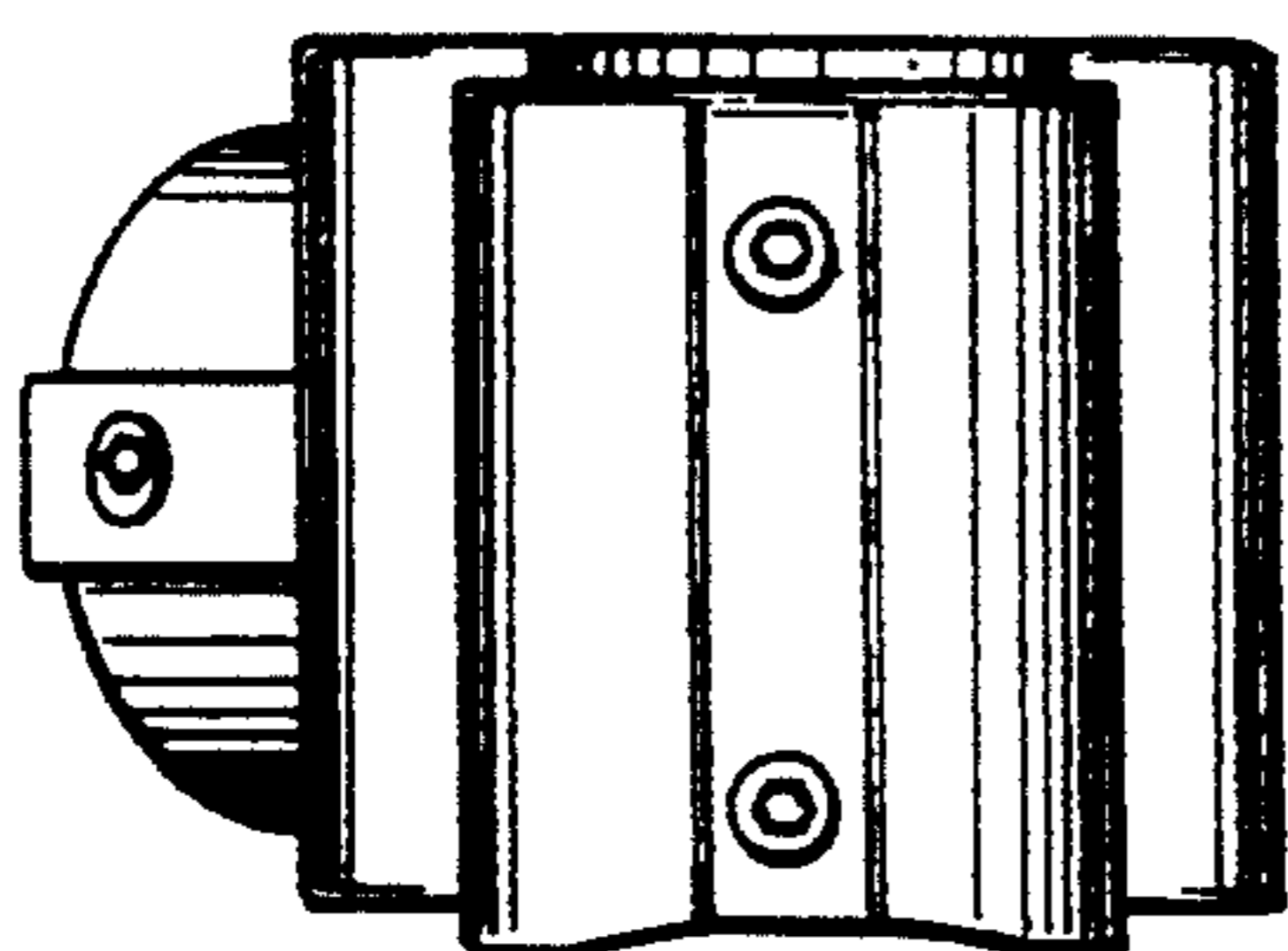


FIG. 6

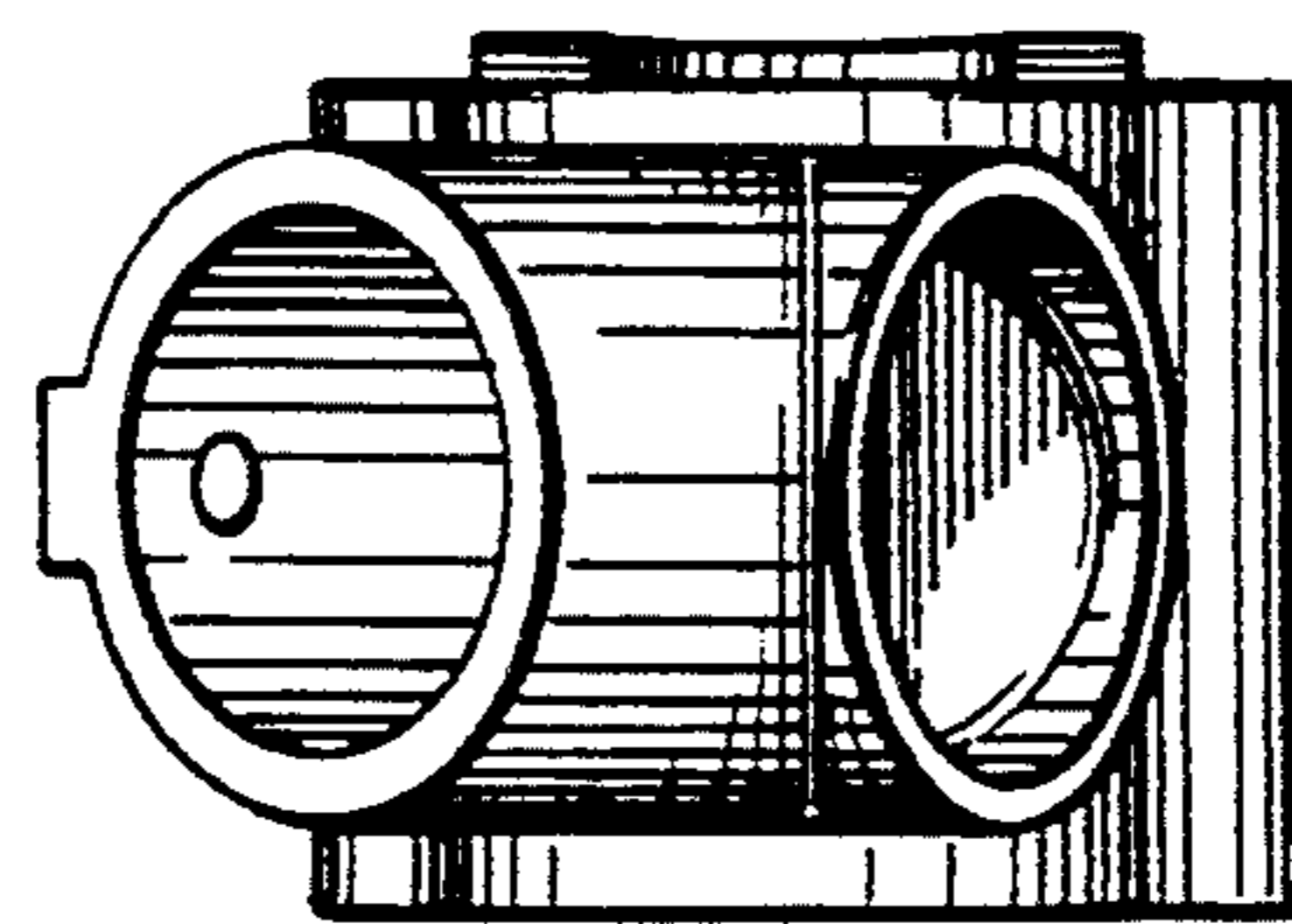


FIG. 7