



US00D361846S

United States Patent [19]

[11] Patent Number: **Des. 361,846**

Te'Kannon

[45] Date of Patent: **** Aug. 29, 1995**

[54] CORNER PIECE PARTICULARLY FOR FRAMES

[76] Inventor: **David N. Te'Kannon**, 13, chemin du Pont-de-ville, 1224 Chene-Bourgeries, Switzerland

[**] Term: **14 Years**

[21] Appl. No.: **29,615**

[22] Filed: **Oct. 12, 1994**

[30] **Foreign Application Priority Data**

Apr. 12, 1994 [XH] Hague Agreement DMA/002484

[52] U.S. Cl. **D25/60; D6/300; D25/102**

[58] Field of Search **D25/60, 102; D6/300; 52/287.1; 403/205, 286, 403**

[56] **References Cited**

U.S. PATENT DOCUMENTS

D. 303,457	9/1989	Stewart	D6/300
2,942,703	6/1960	Nelsson	D25/60
4,837,997	6/1989	Zeilinger	52/287.1

Primary Examiner—Doris Clark
Attorney, Agent, or Firm—Young & Thompson

[57] **CLAIM**

The ornamental design for a corner piece particularly for frames, as shown and described.

DESCRIPTION

FIG. 1 is a perspective view of the corner piece particularly for frames;
 FIG. 2 is a top plan view thereof;
 FIG. 3 is a bottom plan view thereof, the magnet being removed;
 FIG. 4 is a view similar to FIG. 3 but with the magnet;
 FIG. 5 is a side elevation view thereof from the lower side of FIG. 1; and,
 FIG. 6 is a side elevation view thereof from the side opposite that shown in FIG. 5.

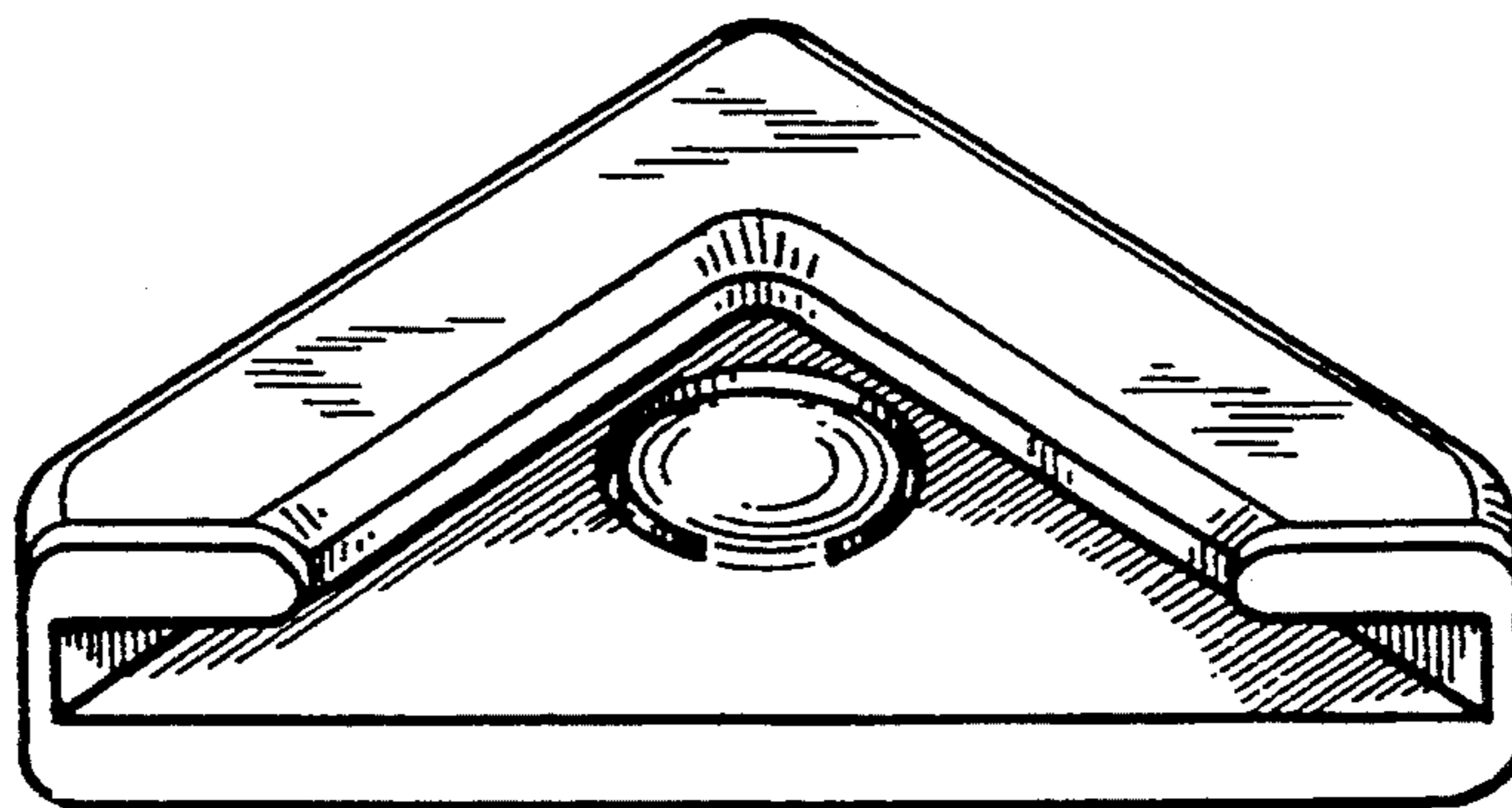


FIG. 1

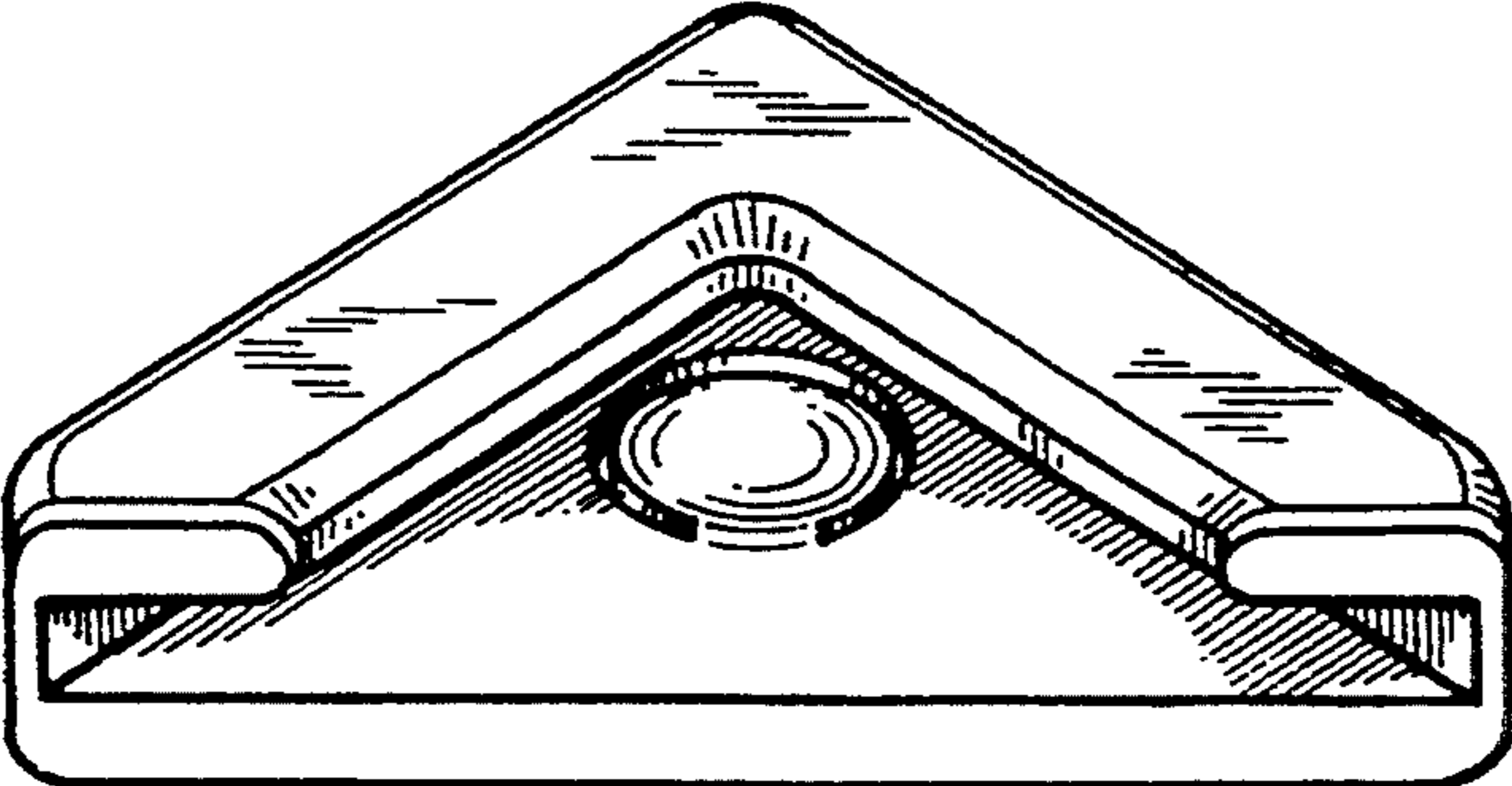


FIG. 2

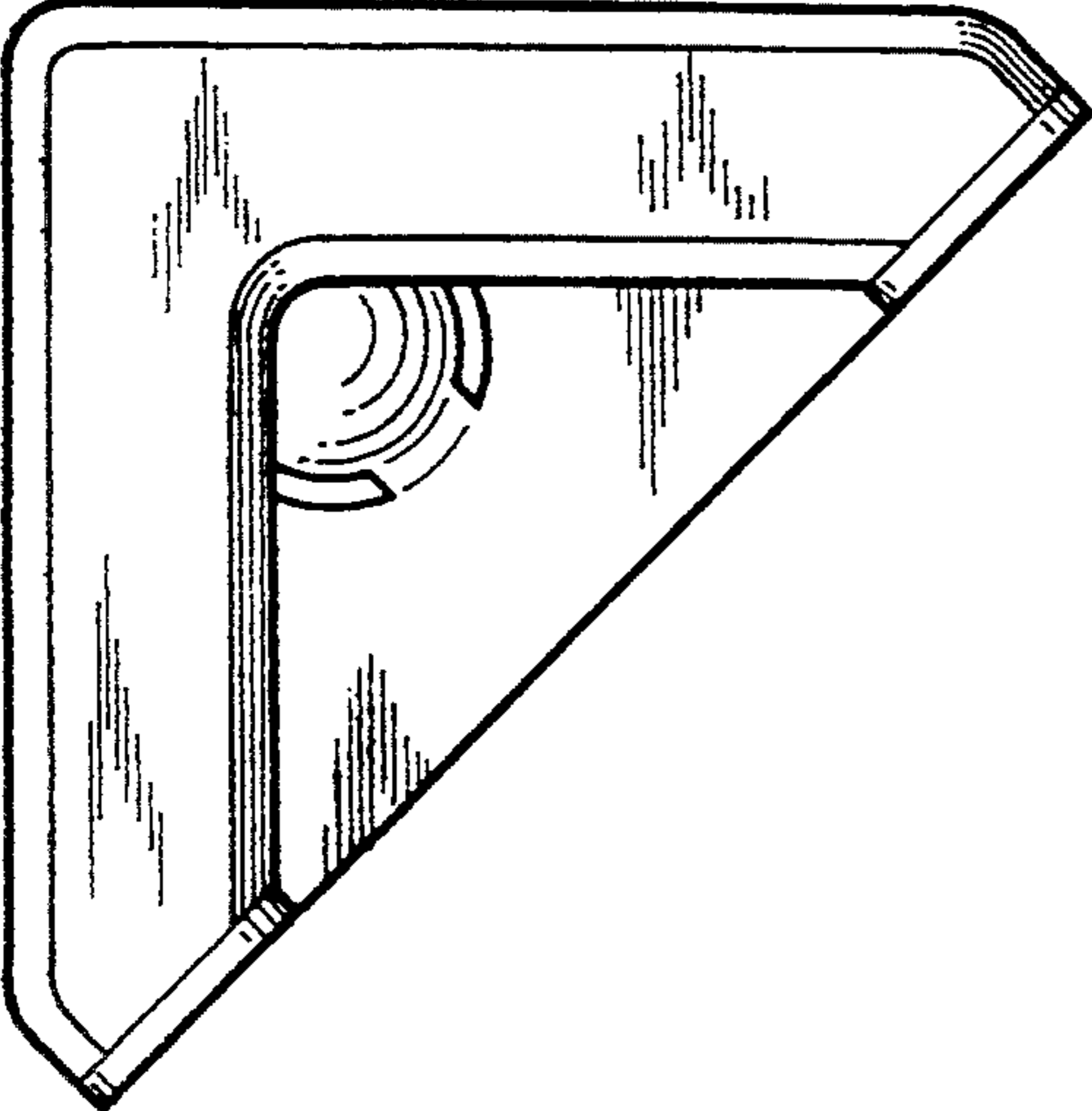
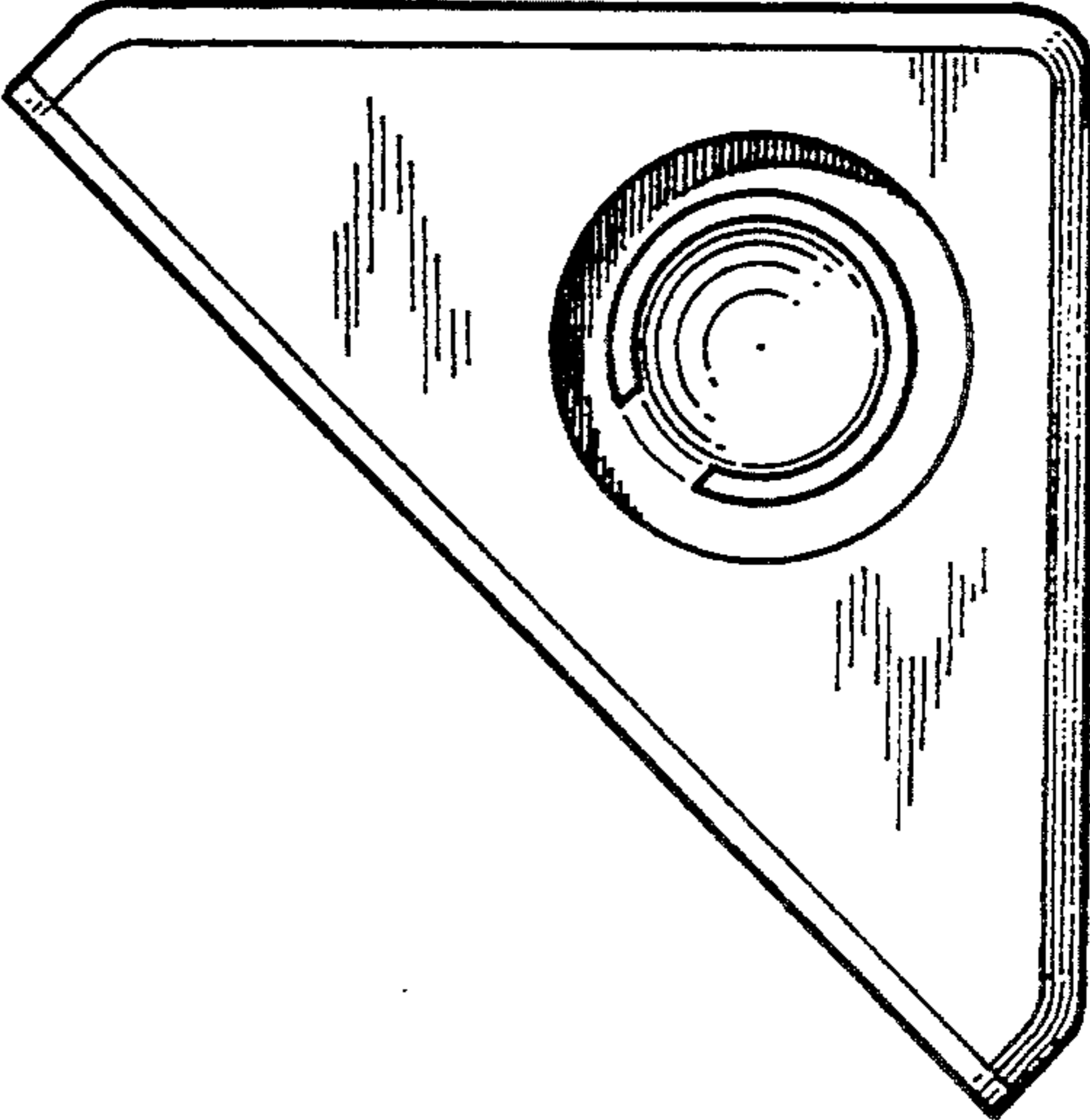


FIG. 3



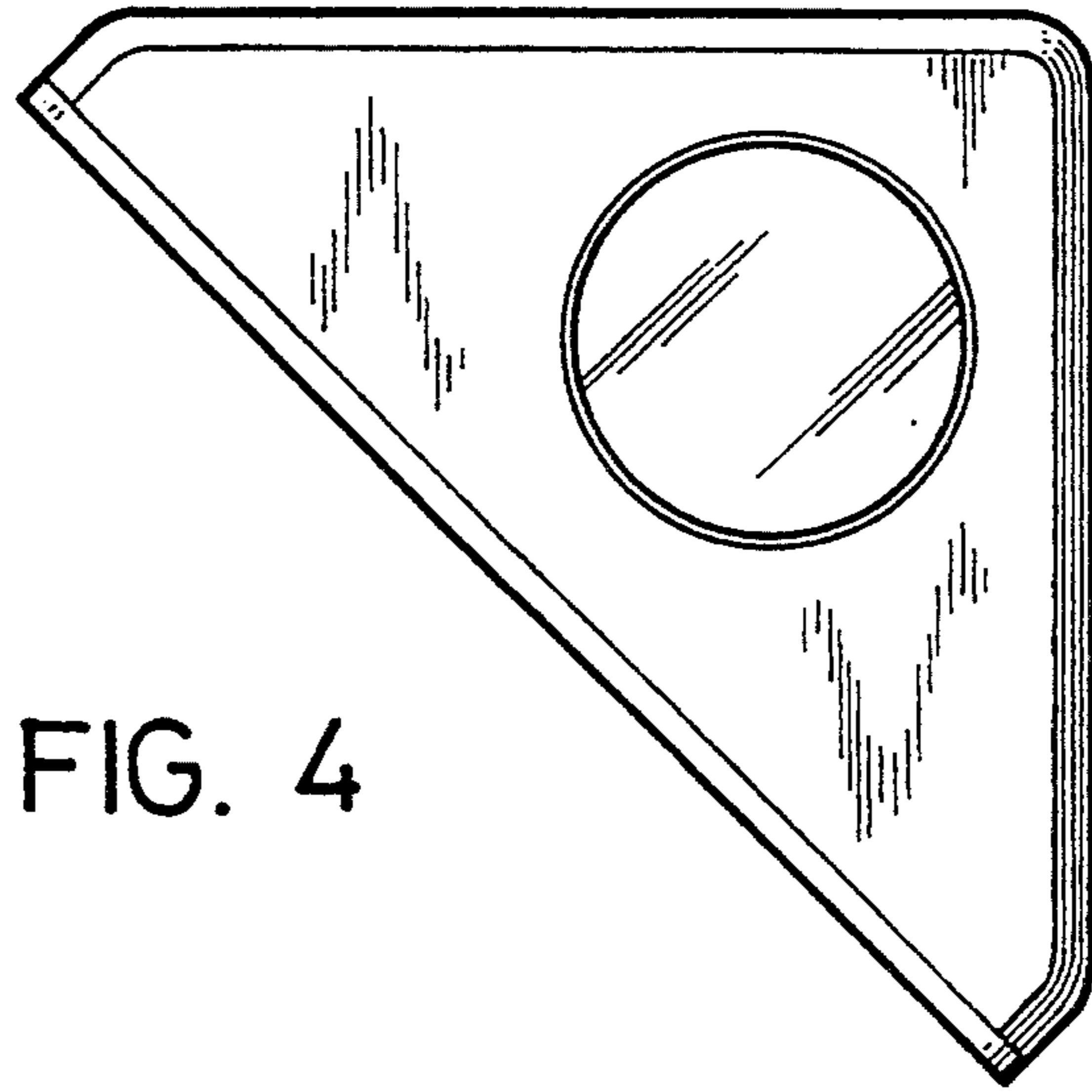


FIG. 4

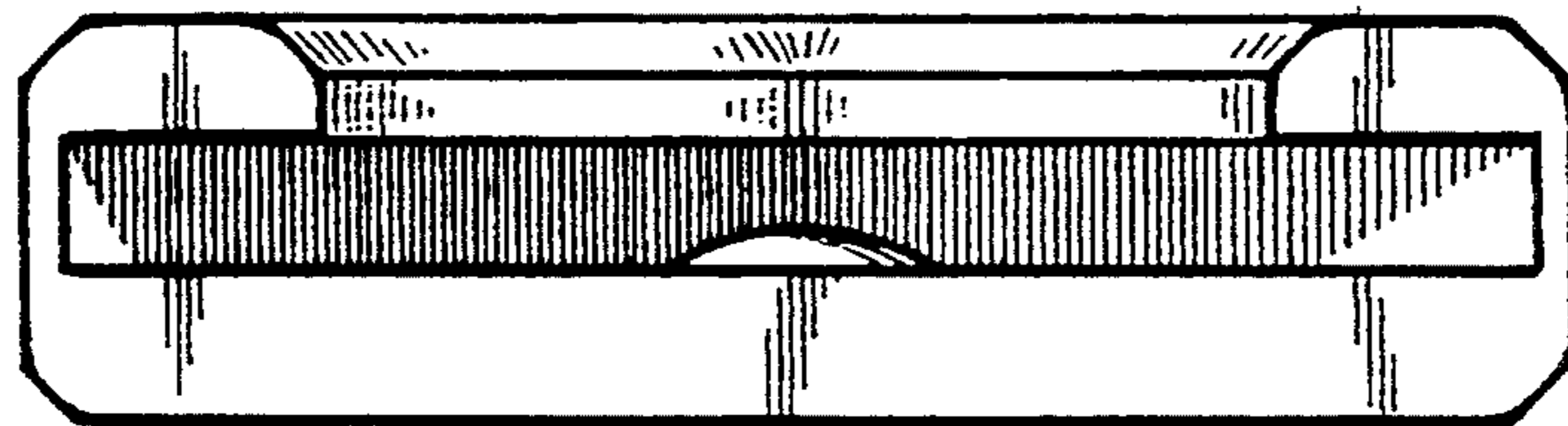


FIG. 5

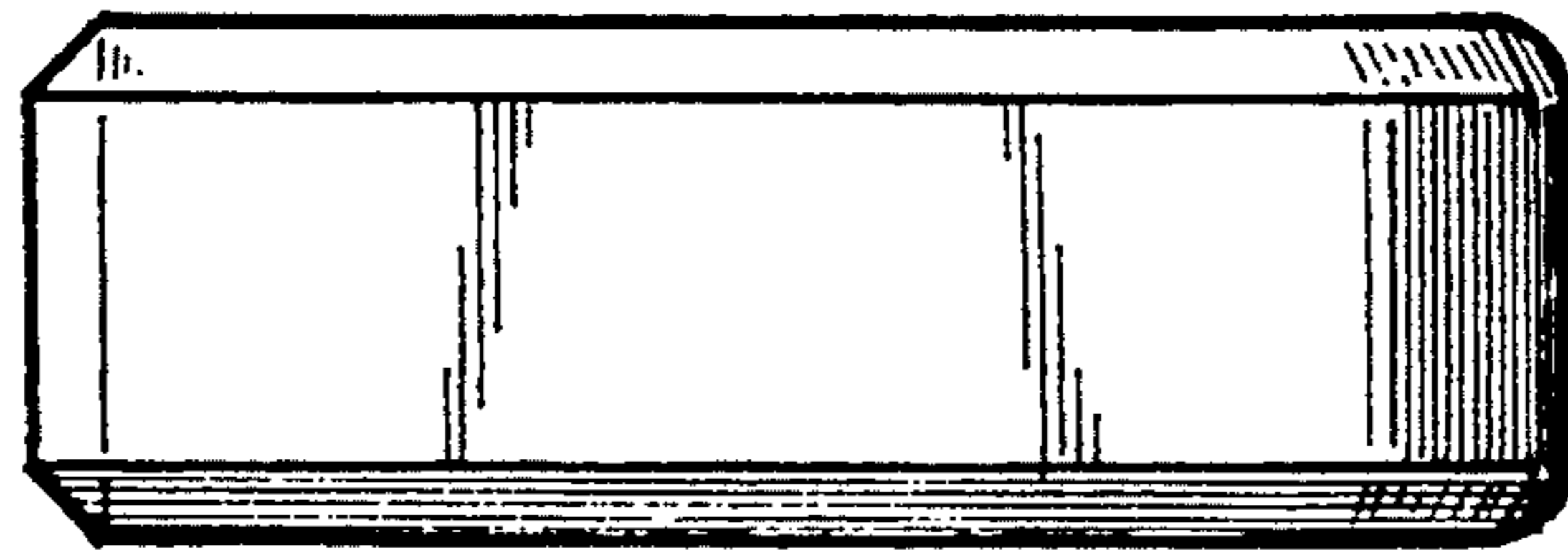


FIG. 6