



US00D361842S

United States Patent [19]

[11] Patent Number: **Des. 361,842**

Nazareth et al.

[45] Date of Patent: **** Aug. 29, 1995**

[54] **IMMUNOASSAY TEST CARTRIDGE**

[75] Inventors: **Albert R. Nazareth**, Mercerville;
Rennold L. Klawson, Flemington,
both of N.J.

[73] Assignee: **Carter Wallace, Inc.**, New York,
N.Y.

[**] Term: **14 Years**

[21] Appl. No.: **23,294**

[22] Filed: **May 23, 1994**

[52] U.S. Cl. **D24/225; D24/223;**
D24/224

[58] Field of Search **D24/224; 280/225, 223;**
422/58, 81, 68.1, 65, 102; 436/808, 906, 814;
435/810, 970, 7.92

[56] **References Cited**

U.S. PATENT DOCUMENTS

D. 341,663	11/1993	Coulter	D24/224	X
D. 342,575	12/1993	Ashihara et al.	D24/223	X
D. 348,735	7/1994	Groothuizen	D24/223	X
3,811,840	5/1974	Bauer et al.	.		
4,366,241	12/1992	Tom et al.	.		
4,446,232	5/1984	Liotta	.		
4,703,017	10/1987	Campbell et al.	.		
4,857,453	8/1989	Ullman et al.	435/7.92	X
4,943,522	7/1990	Eisinger et al.	435/812	X
4,956,302	9/1990	Gordon et al.	.		

4,960,691	10/1990	Gordon et al.	.		
4,965,047	10/1990	Hammond	D24/225	X
4,981,786	1/1991	Dafforn et al.	422/102	X
4,999,285	3/1991	Stiso	.		
5,075,078	12/1991	Osikowicz et al.	.		
5,120,643	6/1992	Ching et al.	.		

FOREIGN PATENT DOCUMENTS

0291194A1	11/1988	European Pat. Off.	.		
0299428A2	3/1989	European Pat. Off.	.		
2204398	8/1991	United Kingdom	.		

Primary Examiner—Louis S. Zarfes

Assistant Examiner—I. Simmons

Attorney, Agent, or Firm—Testa, Hurwitz & Thibeault

[57] **CLAIM**

The ornamental design for an immunoassay test cartridge, as shown and described.

DESCRIPTION

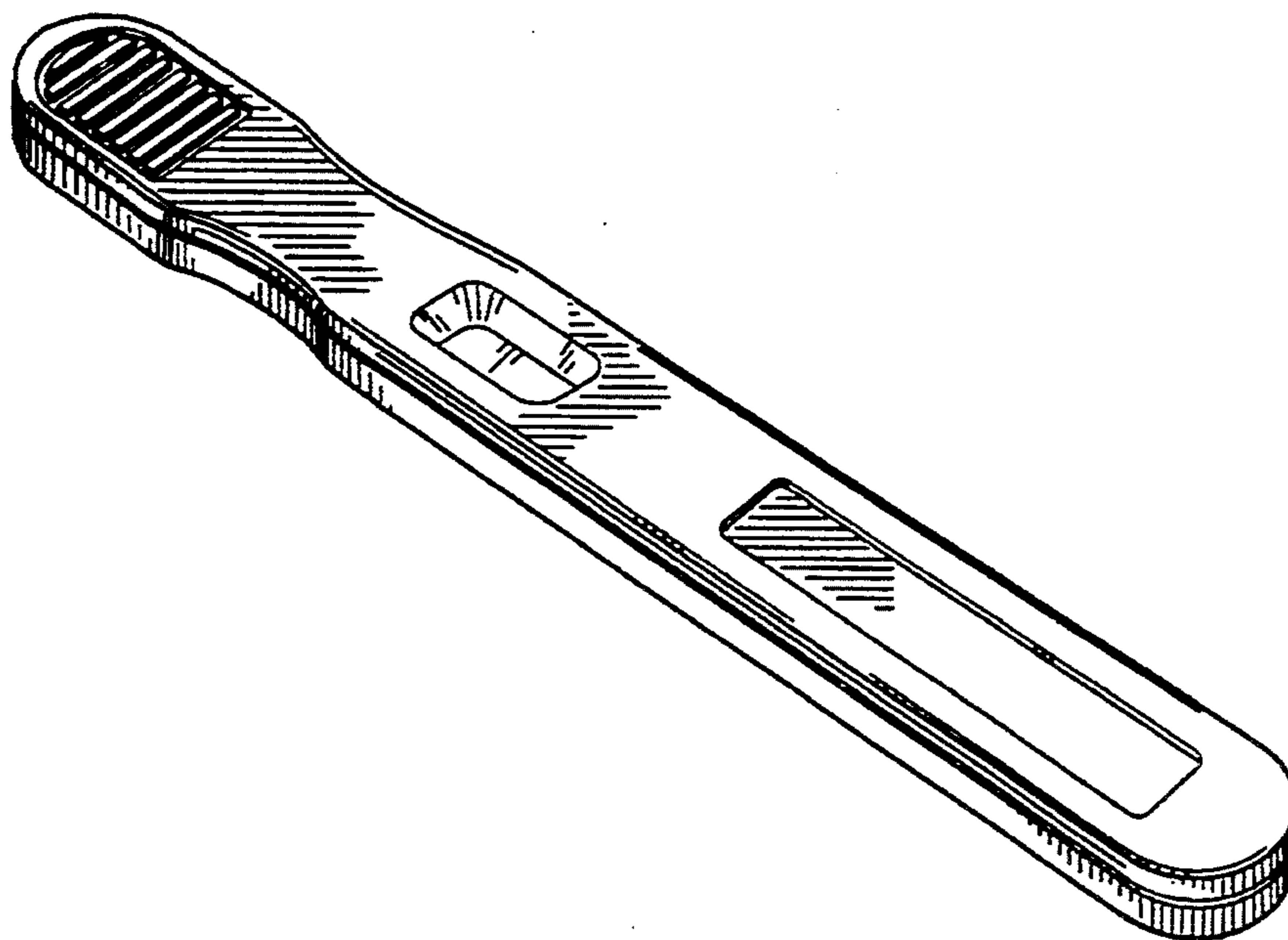
FIG. 1 shows a top view of an immunoassay test cartridge;

FIG. 2 shows a side view of an immunoassay test cartridge, the opposite side view being identical thereto;

FIG. 3 shows a bottom view of an immunoassay test cartridge;

FIG. 4 shows a front end view of an immunoassay test cartridge, the opposite back end view being identical thereto; and,

FIG. 5 is a perspective view.



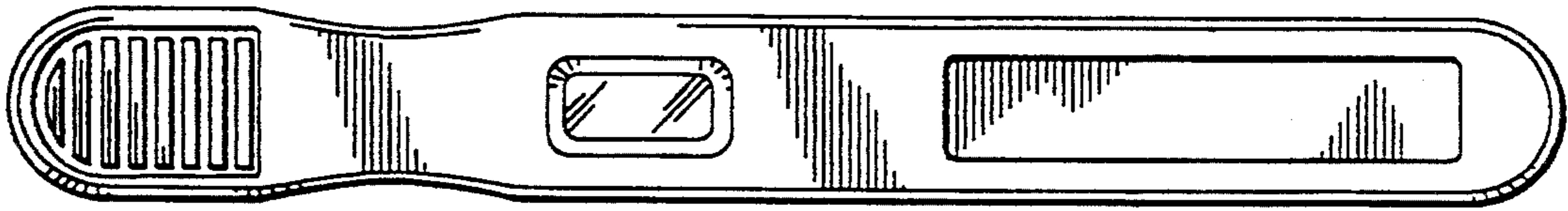


FIG. 1

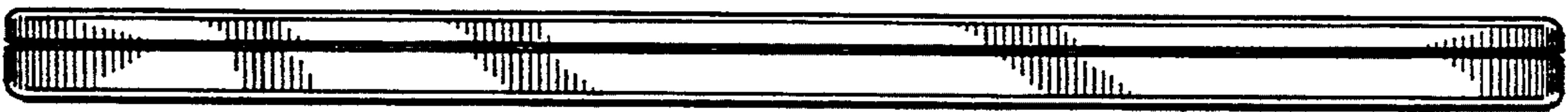


FIG. 2

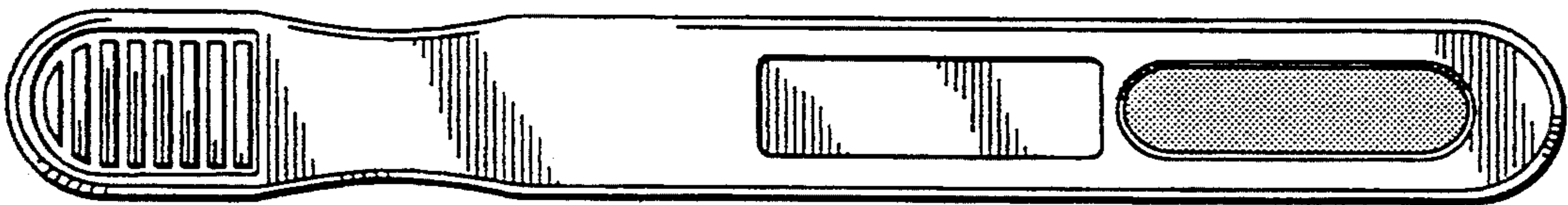


FIG. 3



FIG. 4

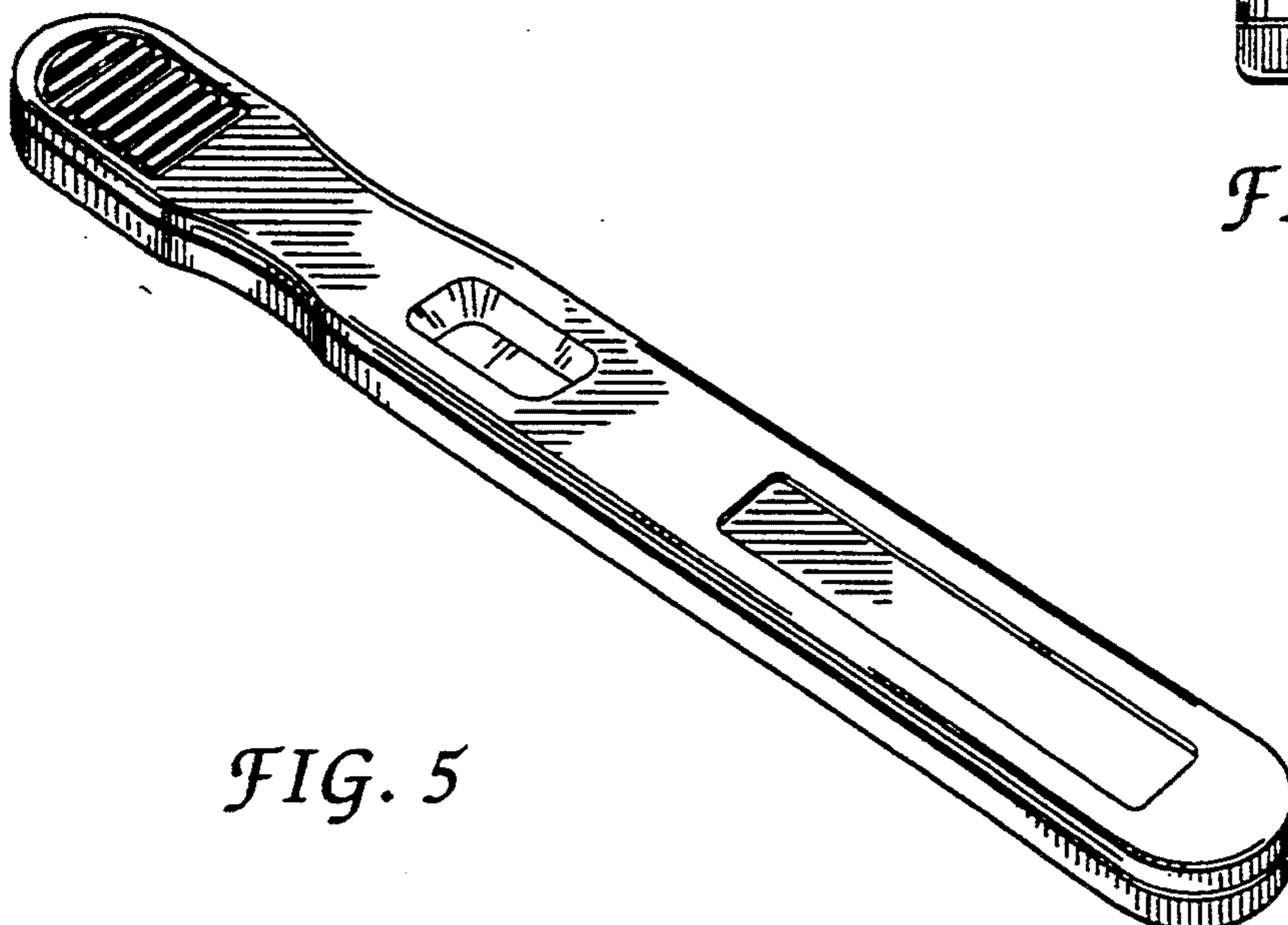


FIG. 5