



US00D361841S

United States Patent [19]

[11] Patent Number: **Des. 361,841**

Terashima

[45] Date of Patent: **** Aug. 29, 1995**

[54] **SELF-MASSAGER**

[76] Inventor: **Katsu Terashima**, 8-2, Yahiro
3-chome, Sumida-ku, Tokyo, Japan

[**] Term: **14 Years**

[21] Appl. No.: **28,600**

[22] Filed: **Sep. 26, 1994**

[52] U.S. Cl. **D24/211**

[58] Field of Search **D24/200, 211-214;**
601/118-121, 129-137

[56] **References Cited**

U.S. PATENT DOCUMENTS

D. 353,008	11/1994	Van Harn	D24/211
932,780	8/1909	Hero	601/120 X
961,479	6/1910	Bowser	601/120
5,364,338	11/1994	Terashima	601/120

Primary Examiner—Stella Reid

Attorney, Agent, or Firm—Nixon & Vanderhye

[57] **CLAIM**

The ornamental design for a self-massager, as shown and described.

DESCRIPTION

FIG. 1 is a front perspective view of a self-massager embodying my new design thereof;

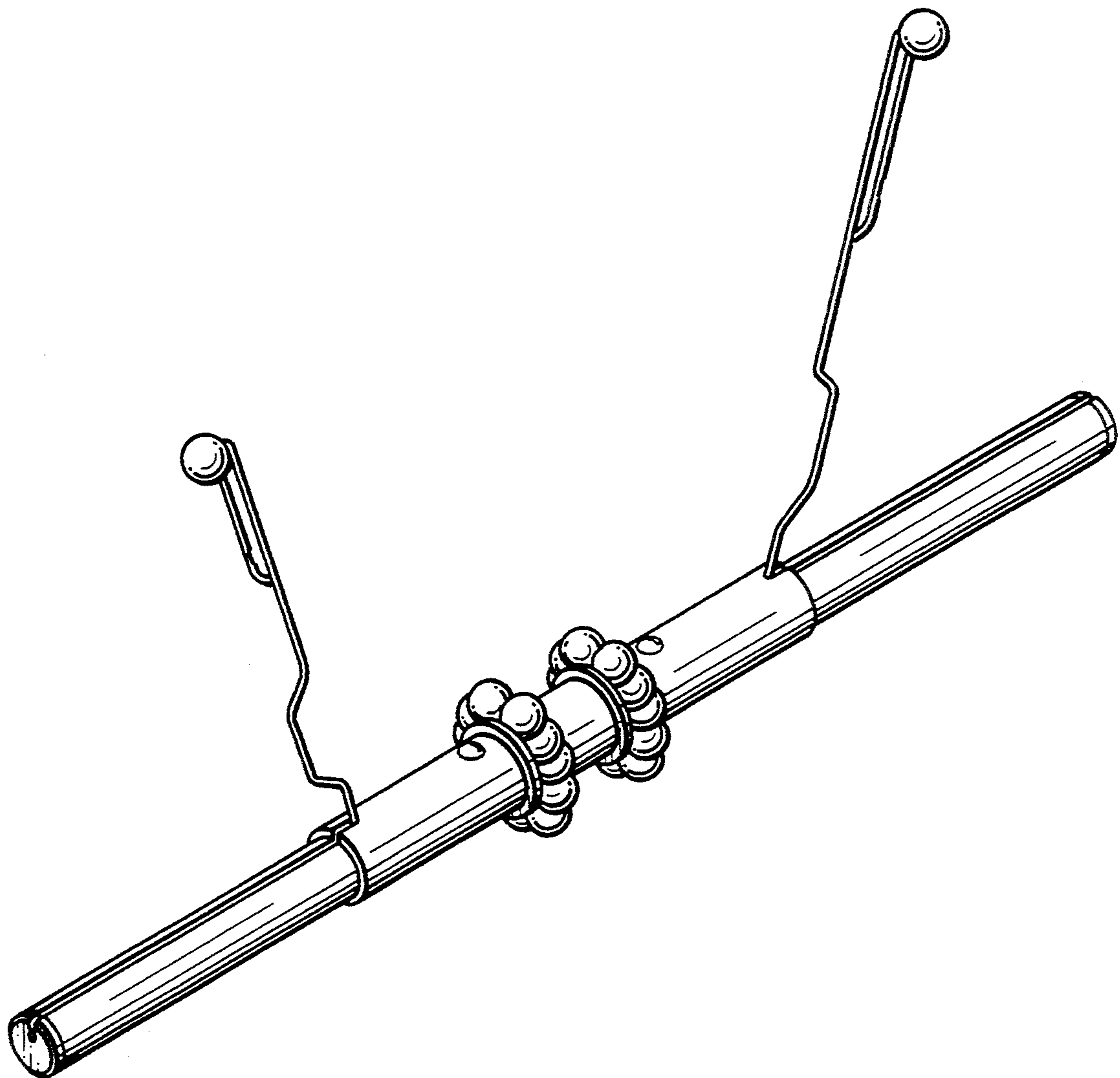
FIG. 2 is a front elevational view of the self-massager shown in FIG. 1, the rear elevational view being a mirror image thereof;

FIG. 3 is a right side elevational view of the self-massager shown in FIG. 1, the left side elevational view being a mirror image thereof;

FIG. 4 is a top plan view of the self-massager shown in FIG. 1;

FIG. 5 is a bottom plan view of the self-massager shown in FIG. 1; and,

FIG. 6 is another front perspective view of the self-massager shown in FIG. 1, but depicted with the arms thereof in a retracted state.



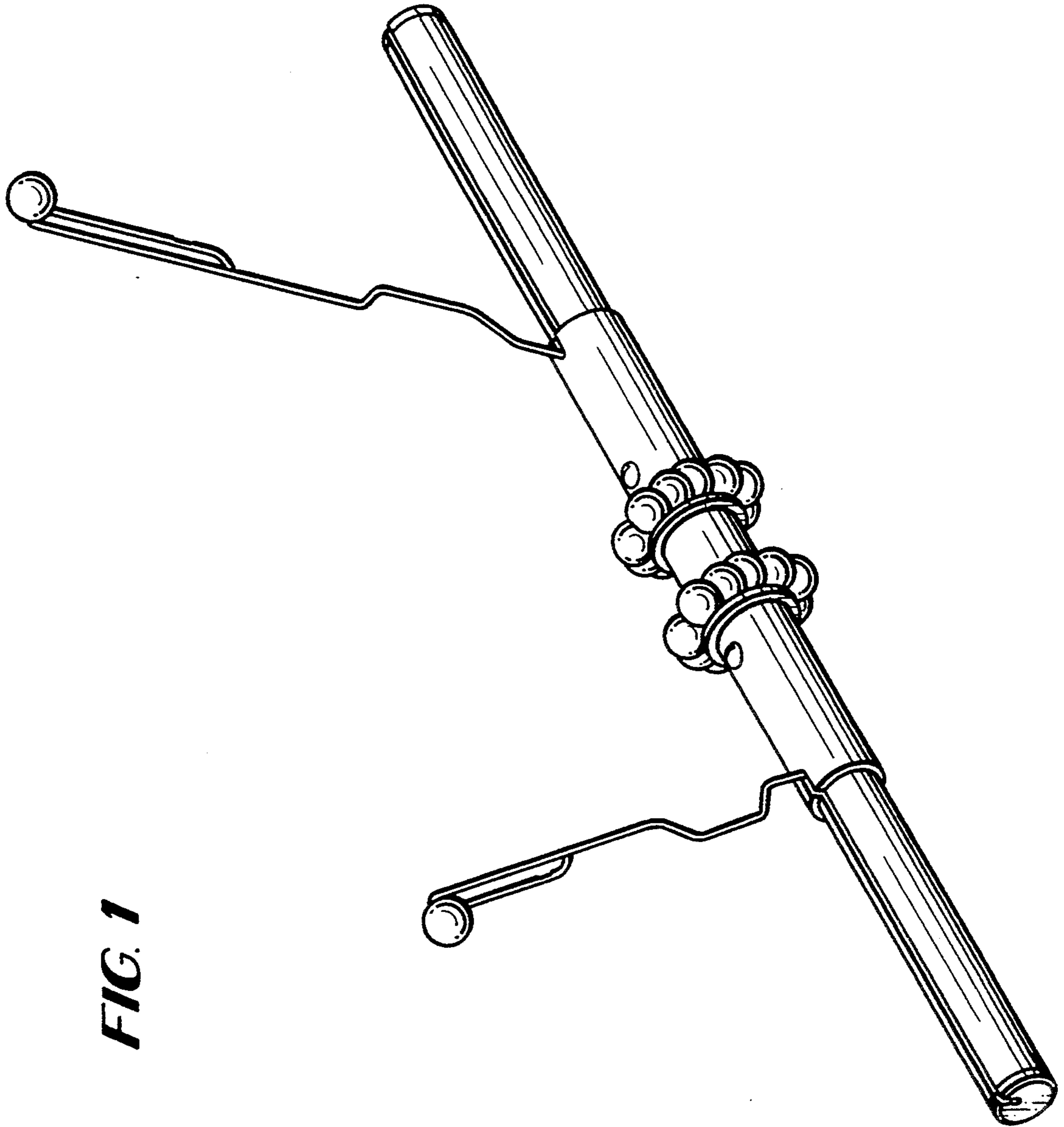


FIG. 1

FIG. 3

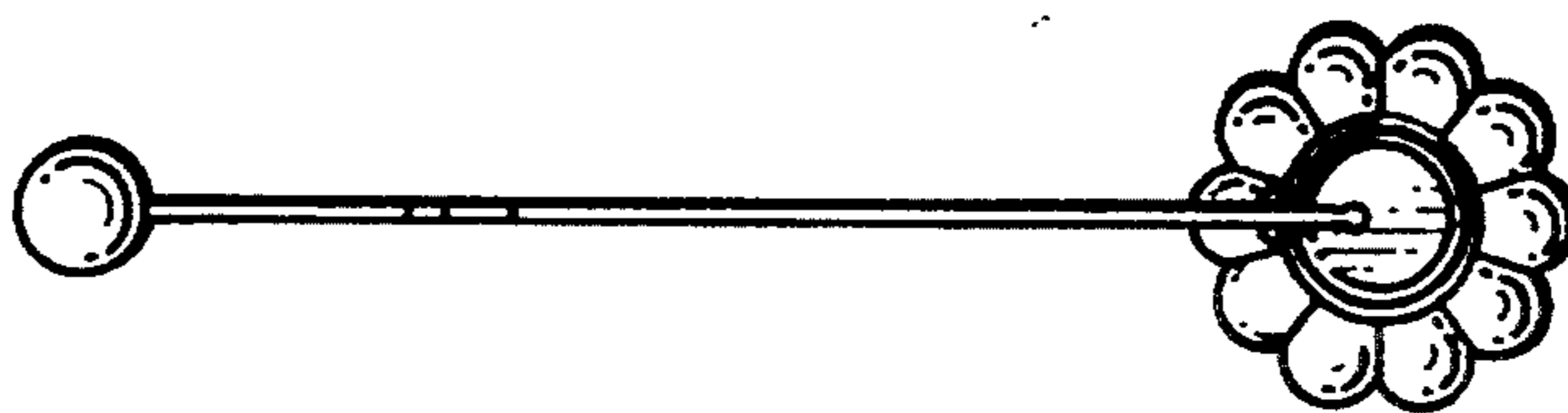


FIG. 2

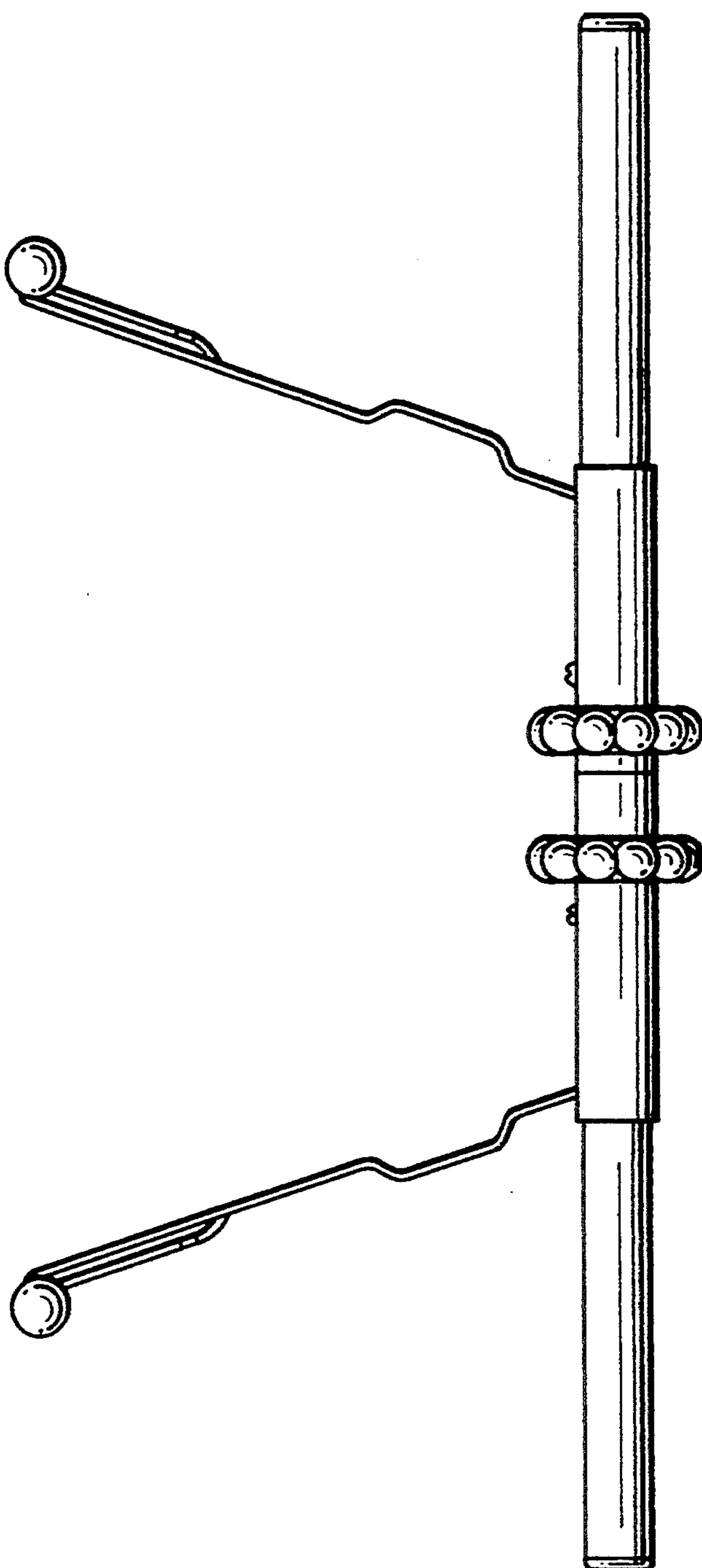


FIG. 4

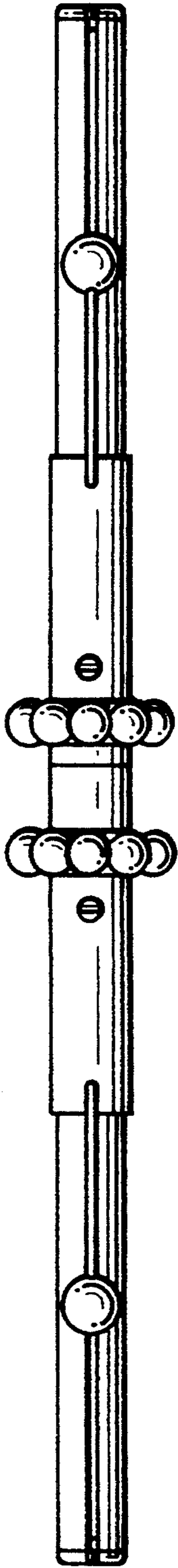
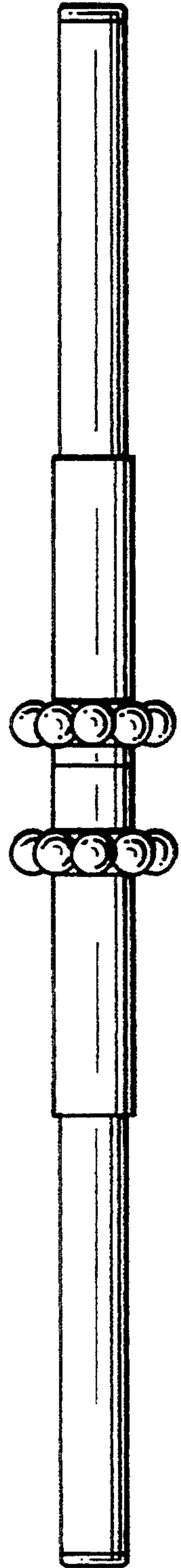


FIG. 5



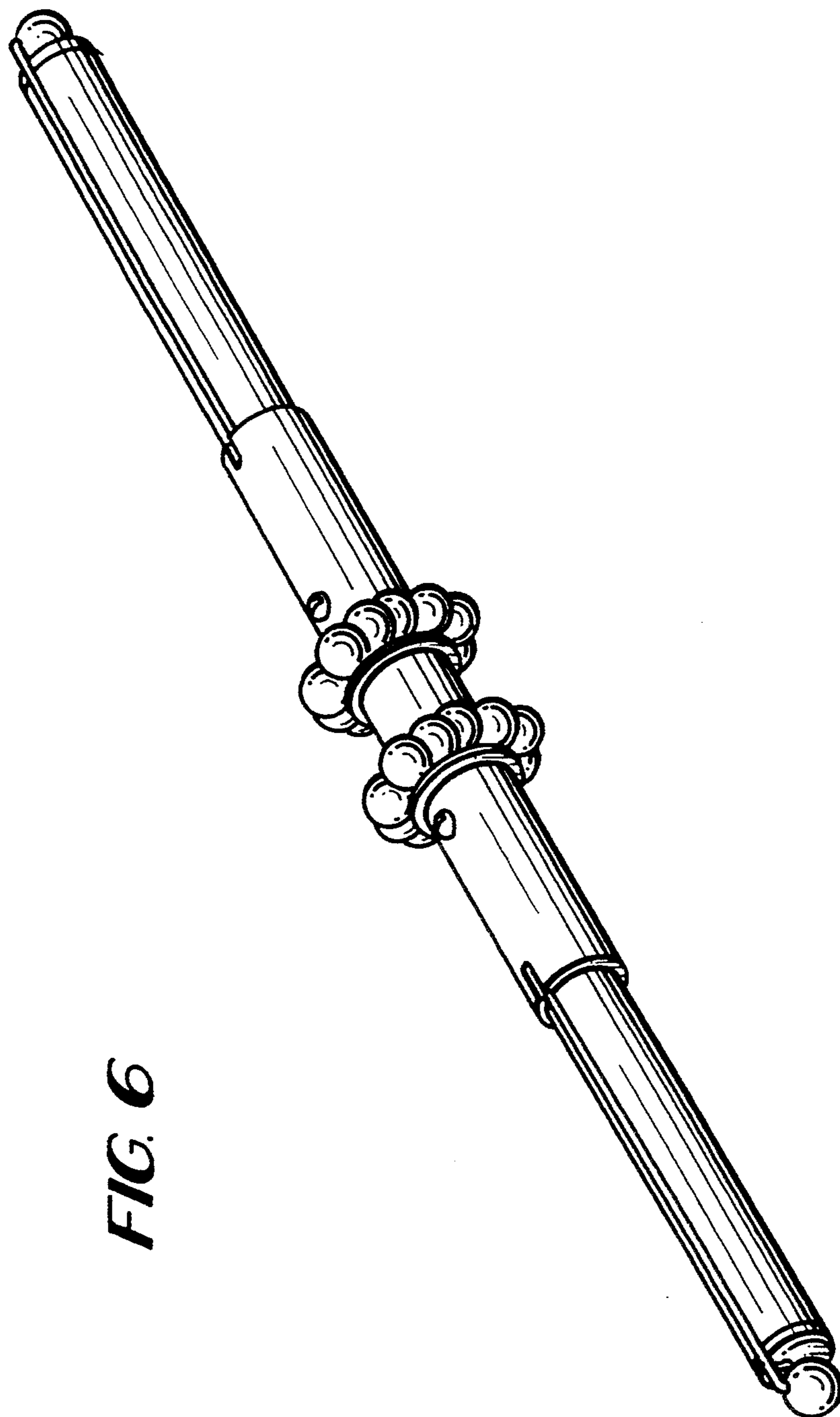


FIG. 6