



US00D361840S

# United States Patent [19]

[11] Patent Number: **Des. 361,840**

Savage et al.

[45] Date of Patent: **\*\* Aug. 29, 1995**

[54] **STETHOSCOPE HEAD**

[76] Inventors: **Gary Savage**, 5625 17<sup>e</sup> Avenue, Montréal, Québec, Canada, H1X 2R7; **Michel Swift**, 444, Édouard Charles Outremont, Québec, Canada, H2P 2N4

[\*\*] Term: **14 Years**

[21] Appl. No.: **21,668**

[22] Filed: **Apr. 21, 1994**

[52] U.S. Cl. .... **D24/134**

[58] Field of Search ..... D24/134; 181/137, 131, 181/132, 135; 381/67, 95, 96, 121

[56] **References Cited**

**U.S. PATENT DOCUMENTS**

- D. 214,002 4/1969 Machlup et al. .... D24/134
- D. 337,381 7/1993 Dufresne et al. .... D24/134

- D. 338,269 8/1993 Dufresne et al. .... D24/134
- D. 353,196 12/1994 Savage et al. .... D24/134
- 4,995,473 2/1991 Packard ..... 181/131

*Primary Examiner*—Louis S. Zarfes

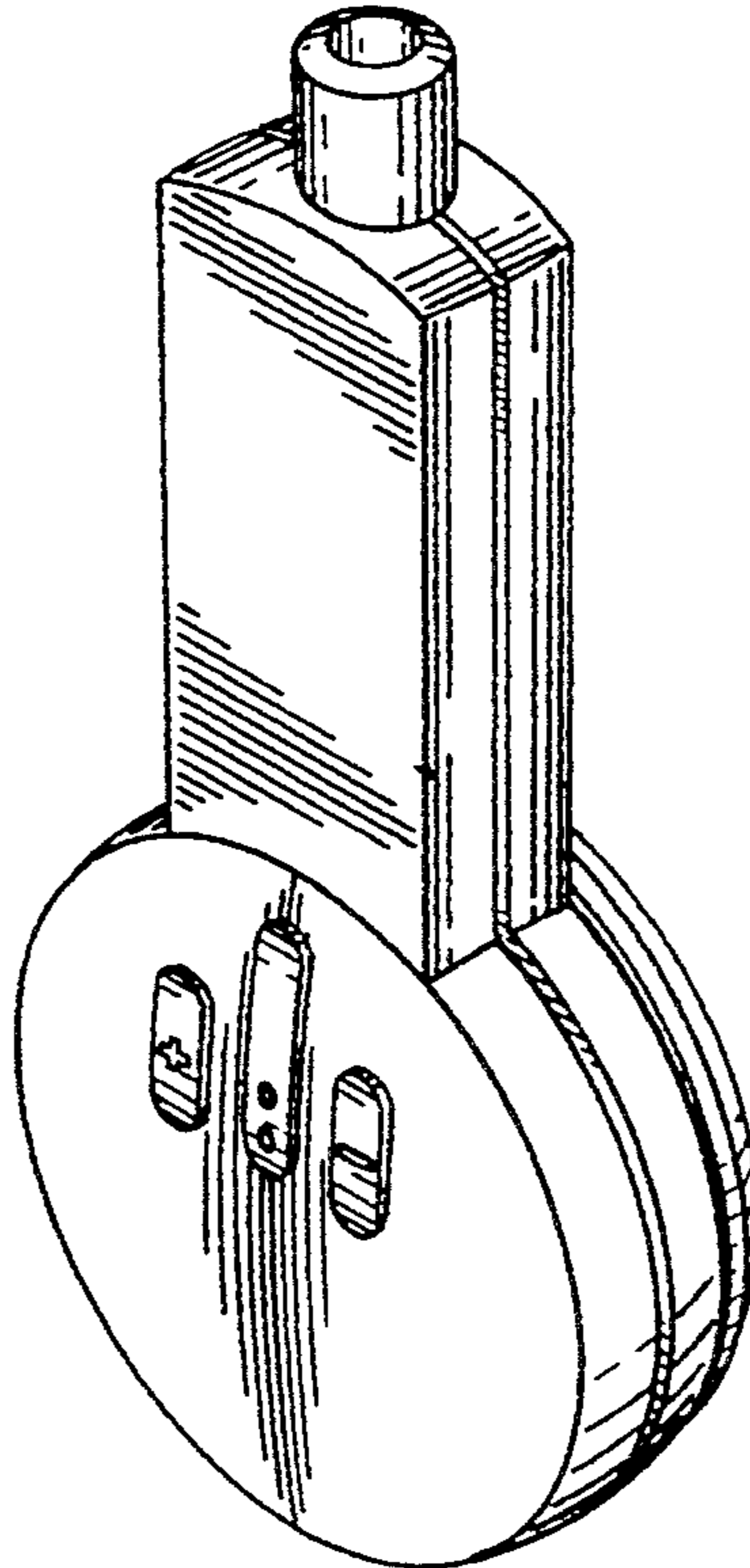
*Assistant Examiner*—I. Simmons

[57] **CLAIM**

The ornamental design for a stethoscope head, as shown and described.

**DESCRIPTION**

FIG. 1 is a perspective view of a stethoscope head showing our new design;  
 FIG. 2 is a left side elevational view thereof, the right side elevational view being a mirror image thereof;  
 FIG. 3 is a front elevational view of the stethoscope head;  
 FIG. 4 is a rear elevational view thereof;  
 FIG. 5 is a top plan view thereof; and,  
 FIG. 6 is a bottom plan view thereof.



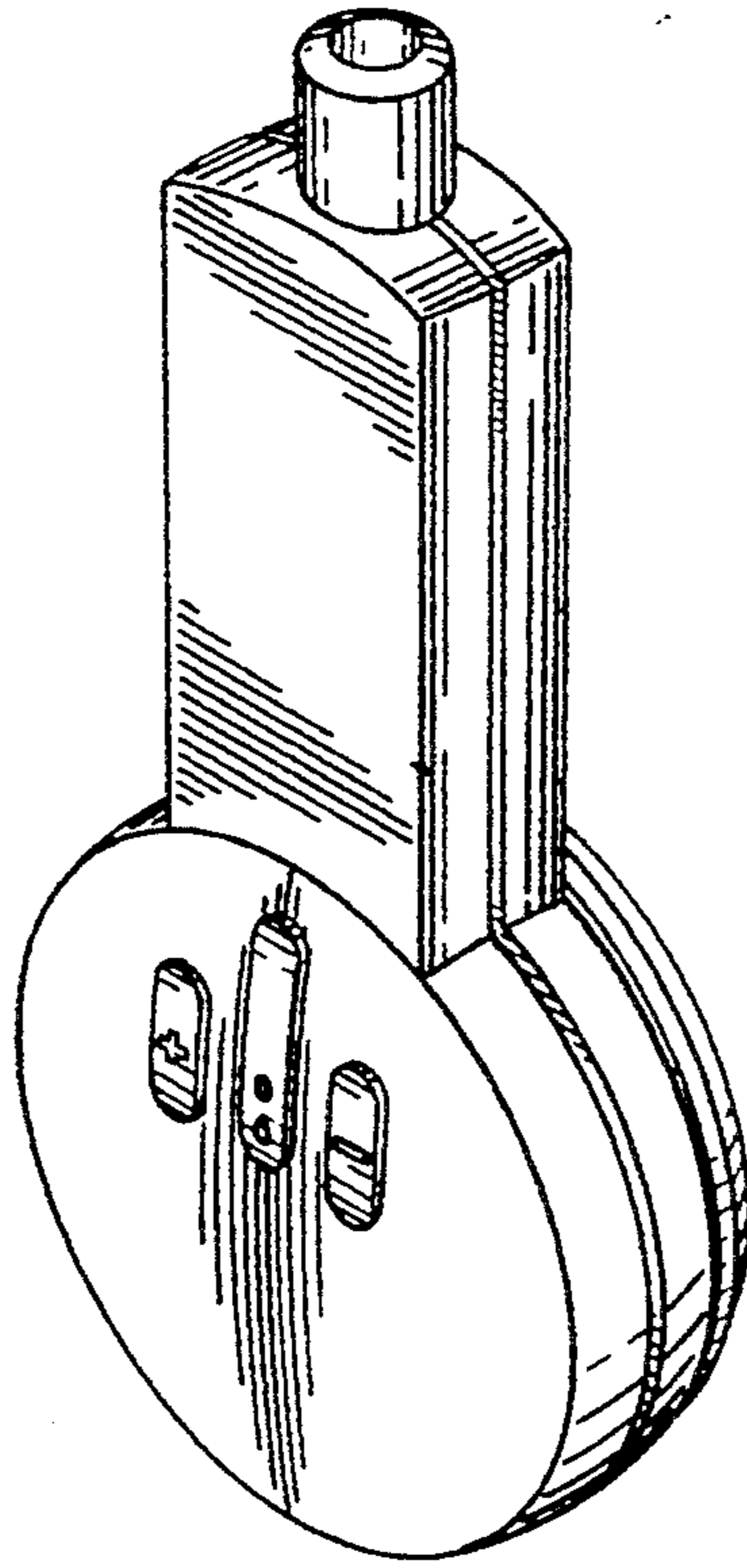


FIG. 1

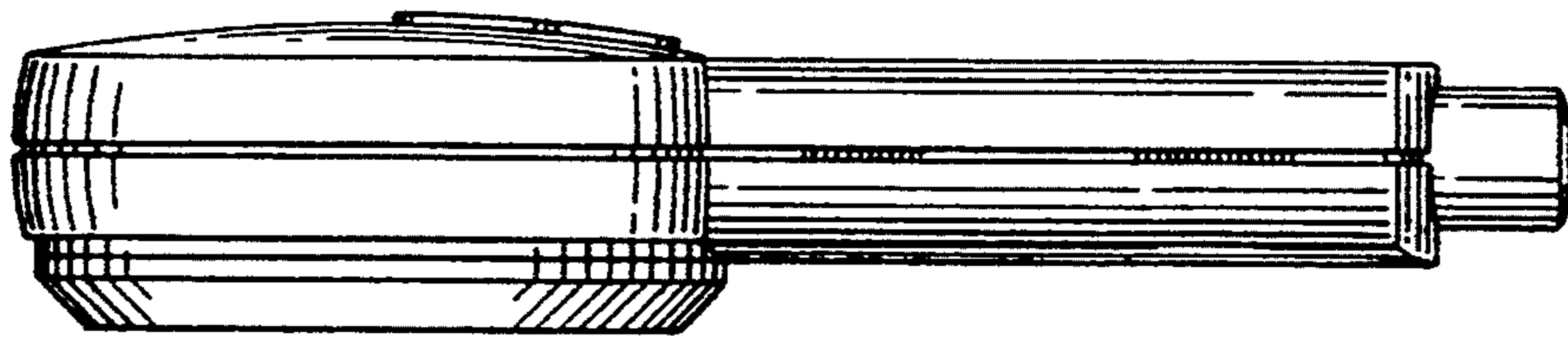


FIG. 2

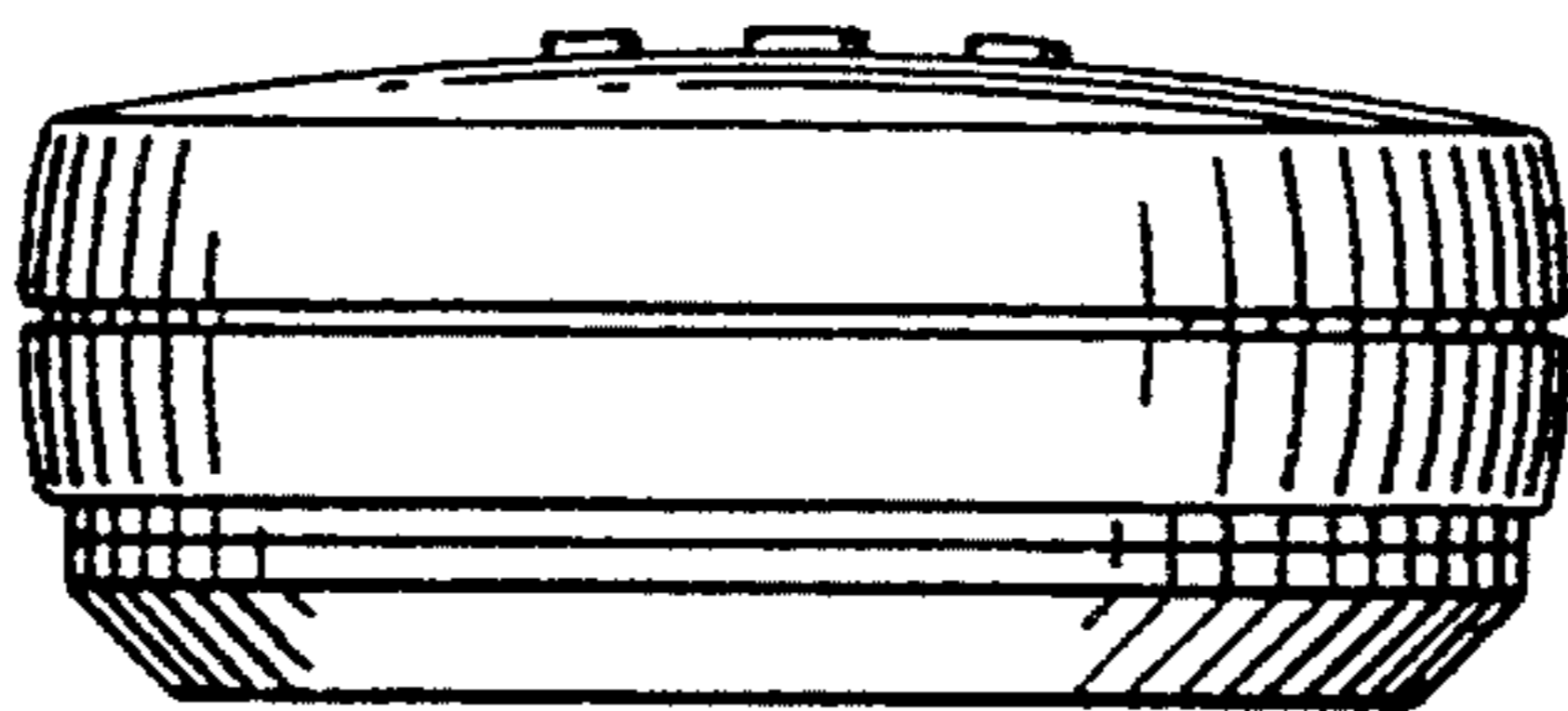


FIG. 3

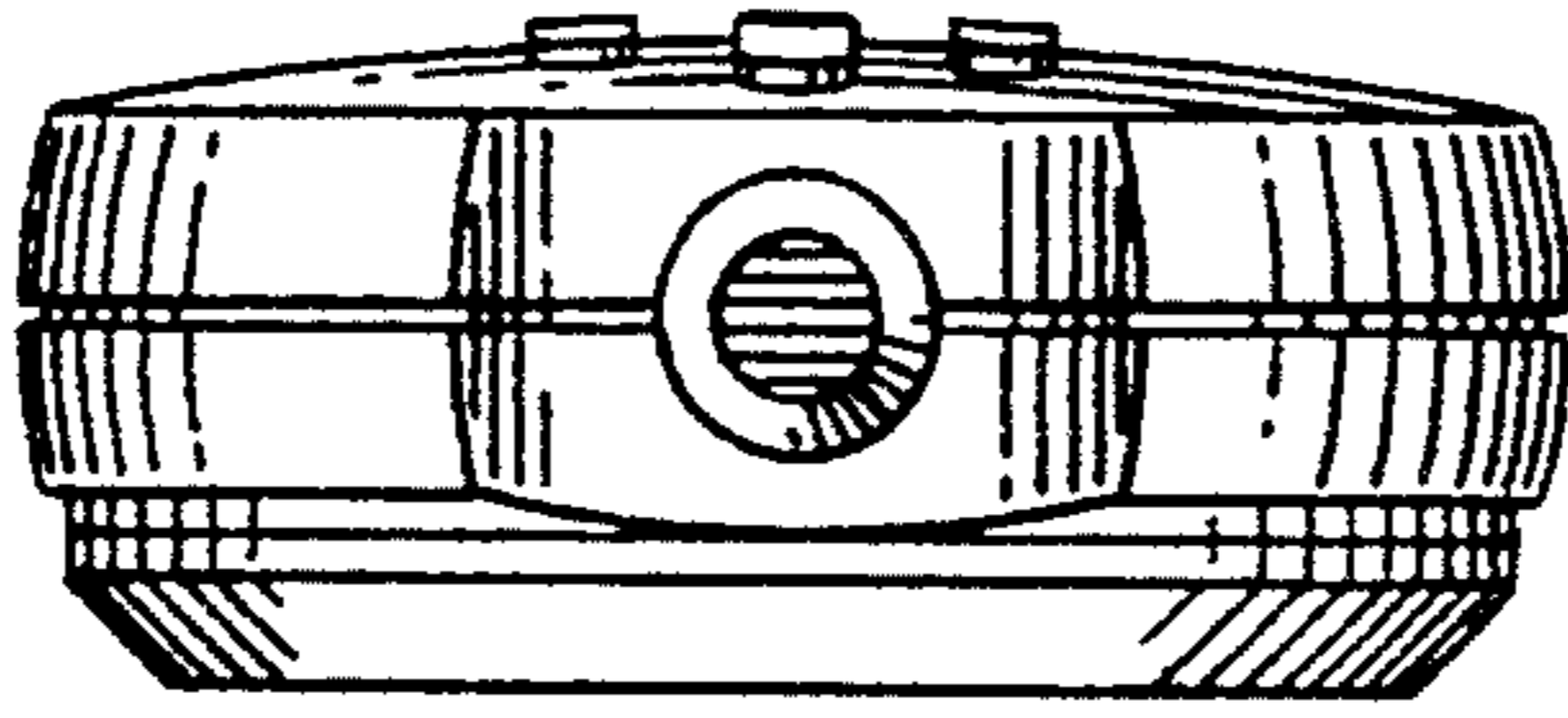


FIG. 4

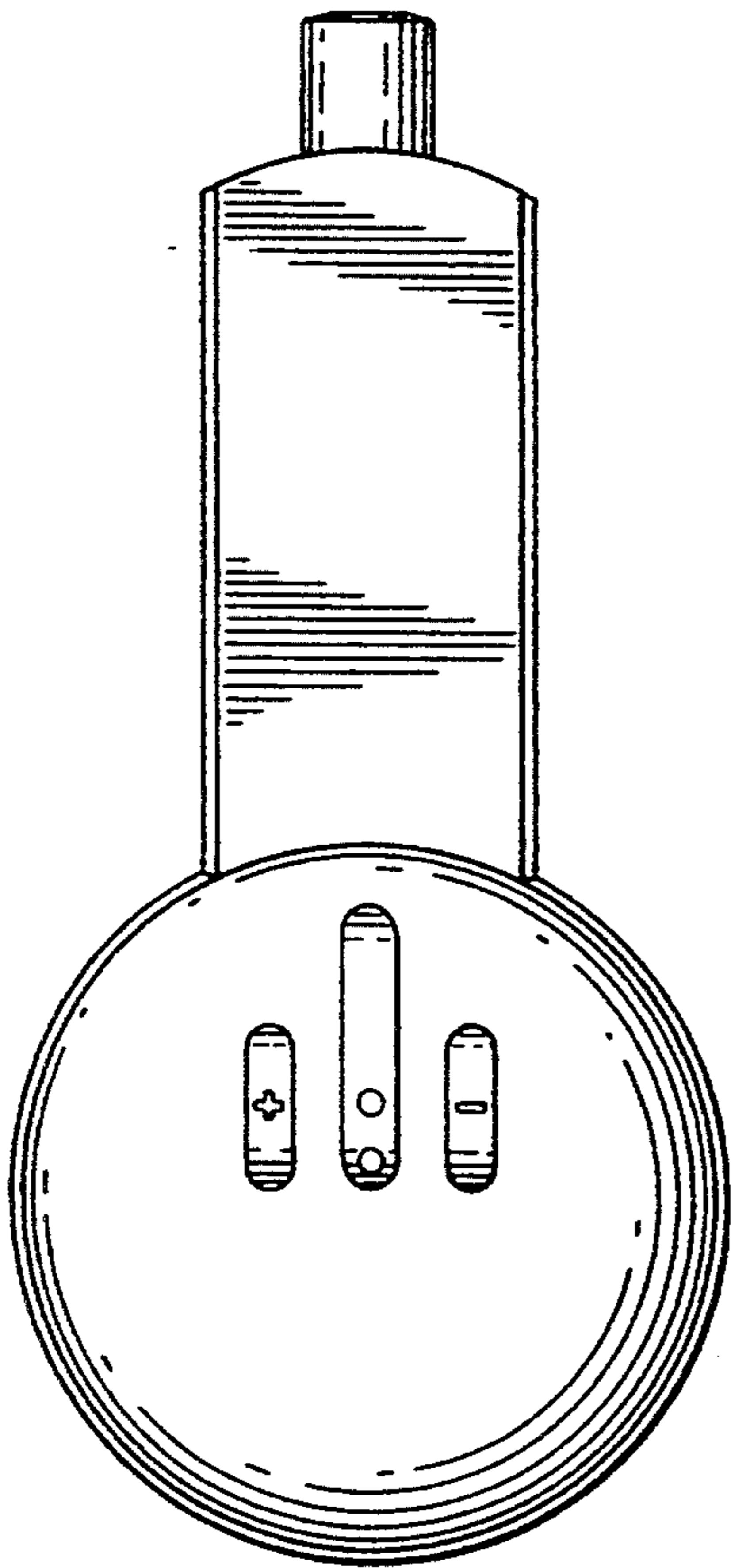


FIG. 5

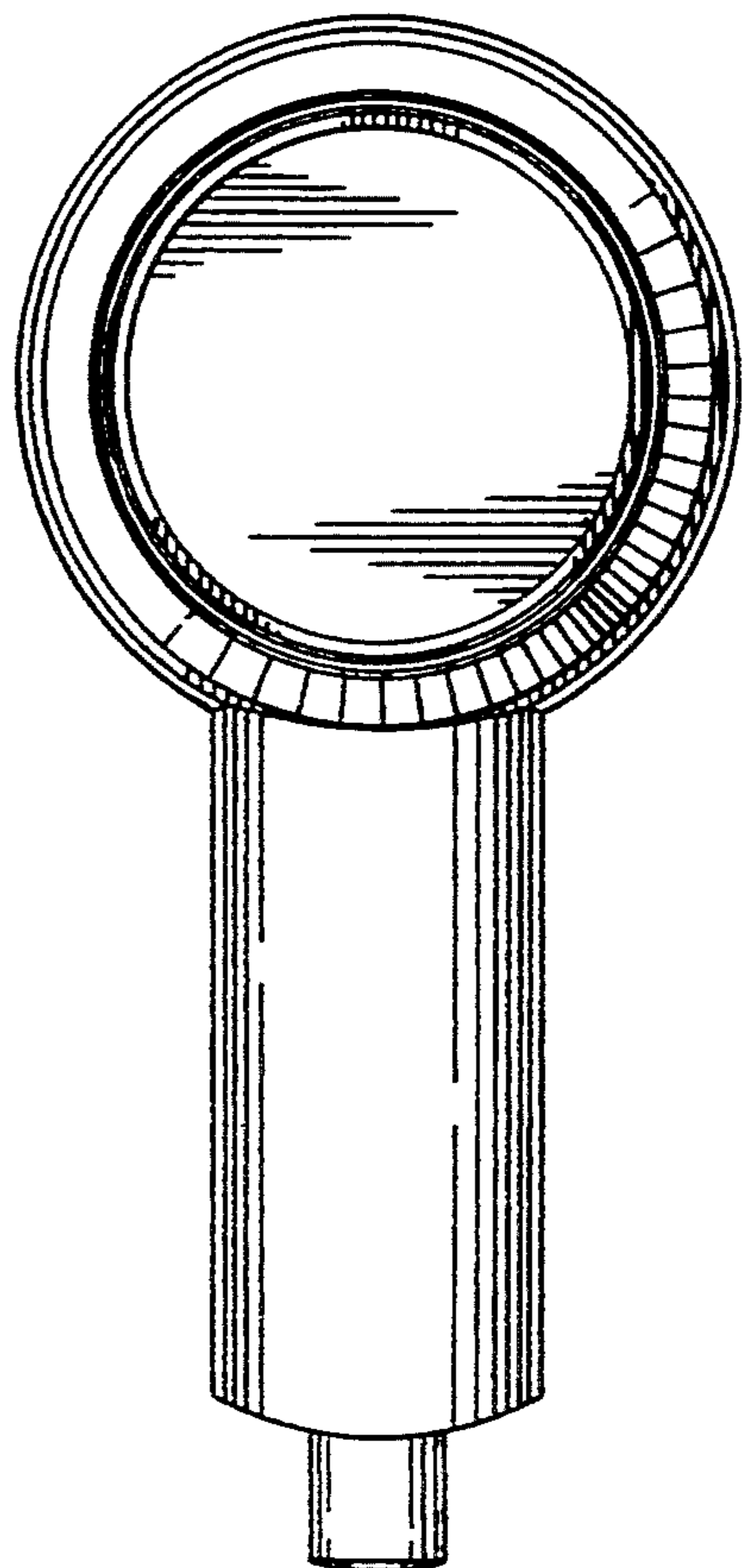


FIG. 6