



US00D361836S

# United States Patent [19]

[11] Patent Number: **Des. 361,836**

Engström

[45] Date of Patent: **\*\* Aug. 29, 1995**

[54] **COMBINED EXTRACTION AND FEEDING ARTICULATED CONDUIT ARM UNIT FOR GAS**

3004392 4/1989 Germany .

[75] Inventor: **Hans T. Engström**, Helsingborg, Sweden

**OTHER PUBLICATIONS**

Nederman, "The Factory in Helsingborg, Sweden," Product Brochure, May 1, 1990.

[73] Assignee: **AB Ph. Nederman & Co.**, Helsingborg, Sweden

*Primary Examiner*—Lisa P. Lichtenstein  
*Attorney, Agent, or Firm*—Foley & Lardner

[\*\*] Term: **14 Years**

[57] **CLAIM**

[21] Appl. No.: **840,986**

The ornamental design for a combined extraction and feeding articulated conduit arm unit for gas, as shown.

[22] Filed: **Feb. 25, 1992**

**DESCRIPTION**

[30] **Foreign Application Priority Data**

FIG. 1 is a right side elevational view of the combined extraction and feeding articulated conduit arm unit for gas showing the new design;

Aug. 26, 1991 [SE] Sweden ..... 91-1669

FIG. 2 is a left side elevational view of the combined extraction and feeding articulated conduit arm unit for gas;

[52] U.S. Cl. .... **D23/387**

FIG. 3 is a rear elevational view of the combined extraction and feeding articulated conduit arm unit for gas;

[58] Field of Search ..... D23/387, 386; 285/226, 285/903; 454/65, 63, 903

FIG. 4 is a front elevational view of the combined extraction and feeding articulated conduit arm unit for gas;

[56] **References Cited**

**U.S. PATENT DOCUMENTS**

- 3,820,752 6/1974 Oram ..... 248/278
- 4,682,749 7/1987 Strater ..... 248/284
- 4,699,046 10/1987 Bellieni ..... 98/115.4
- 4,860,644 8/1989 Kohl et al. .... 454/65

FIG. 5 is a top plan view of the combined extraction and feeding articulated conduit arm unit for gas; and, FIG. 6 is a bottom plan view of the combined extraction and feeding articulated conduit arm unit for gas.

**FOREIGN PATENT DOCUMENTS**

2525930 11/1983 France .

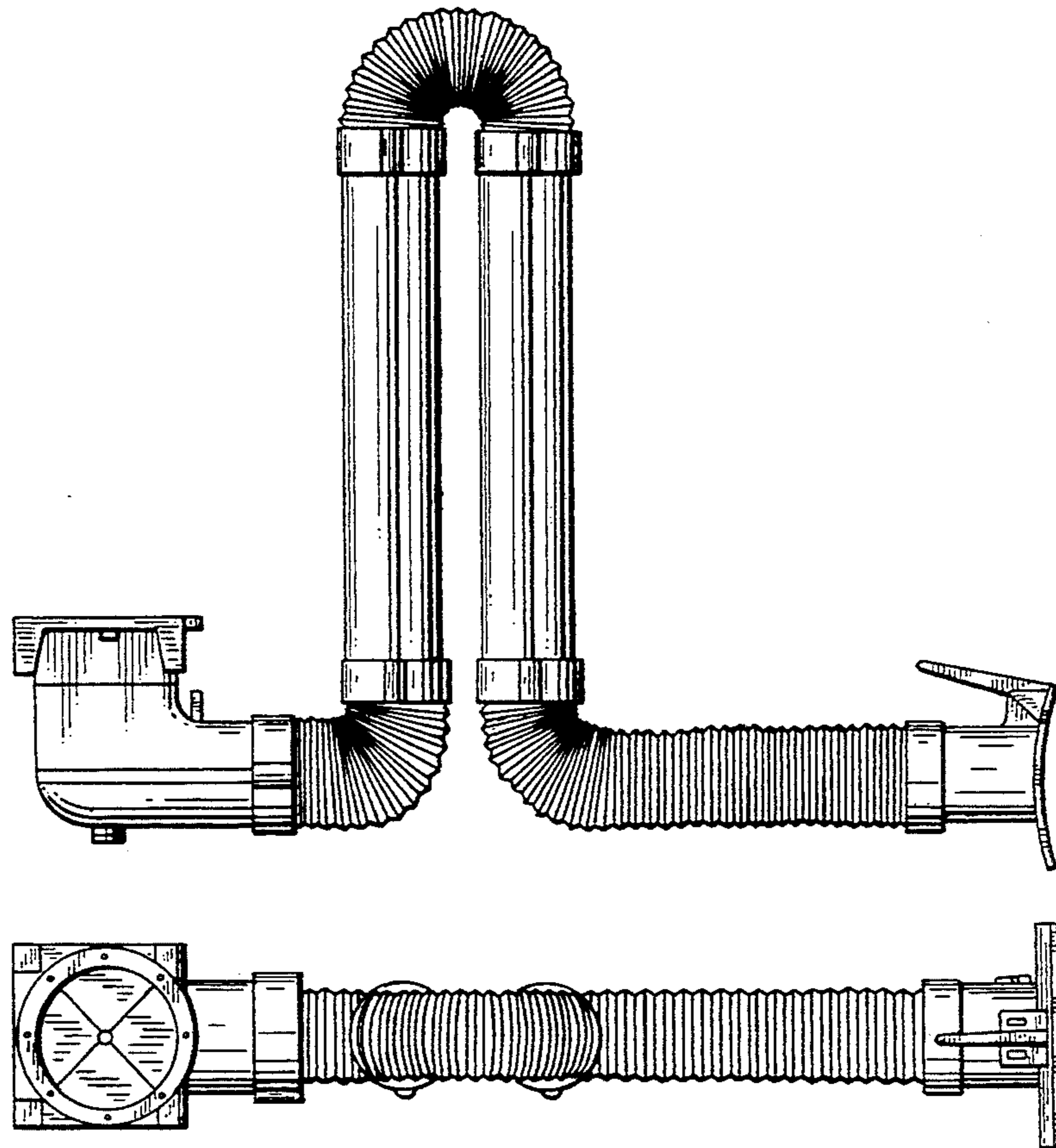


FIG. 1

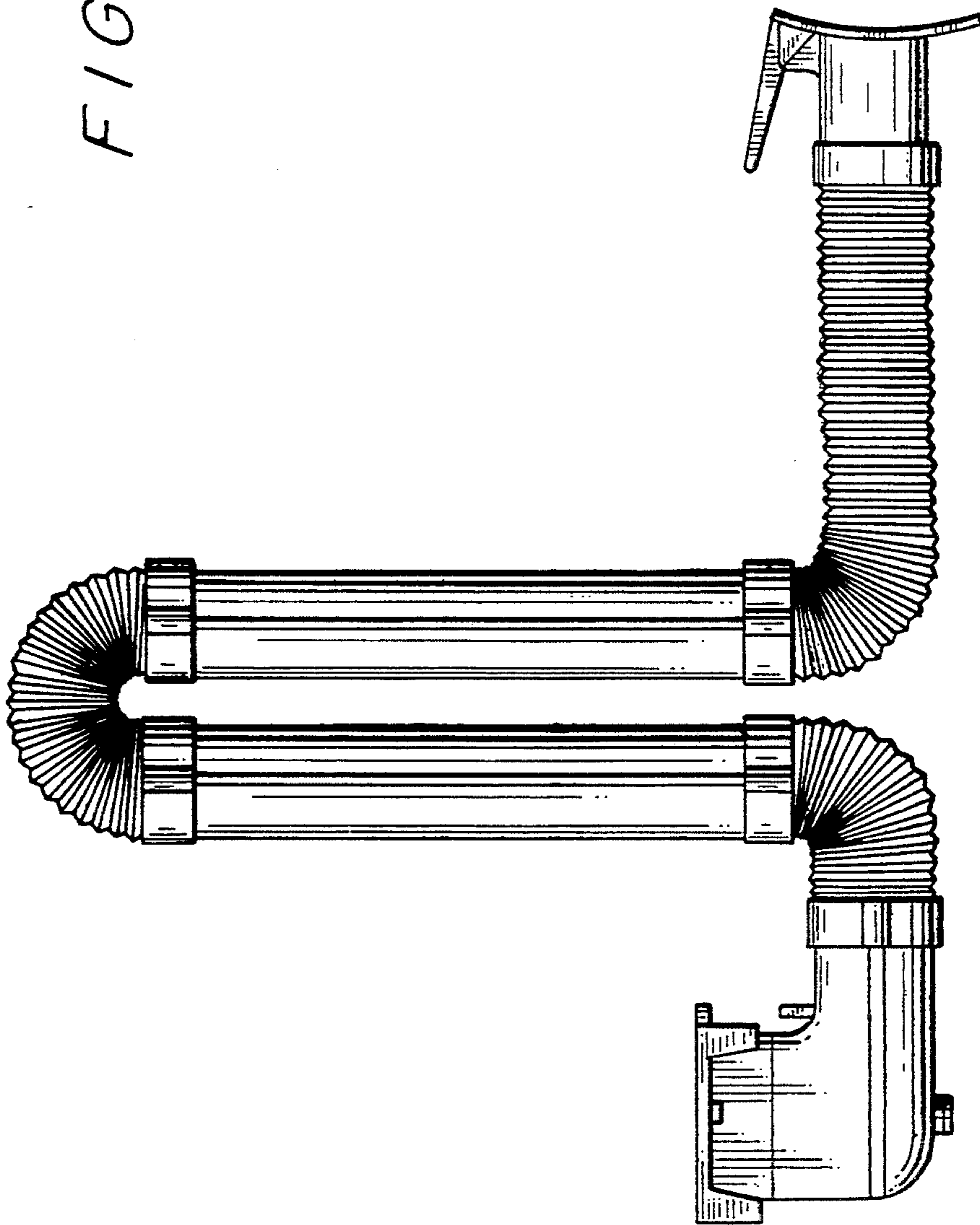


FIG. 2

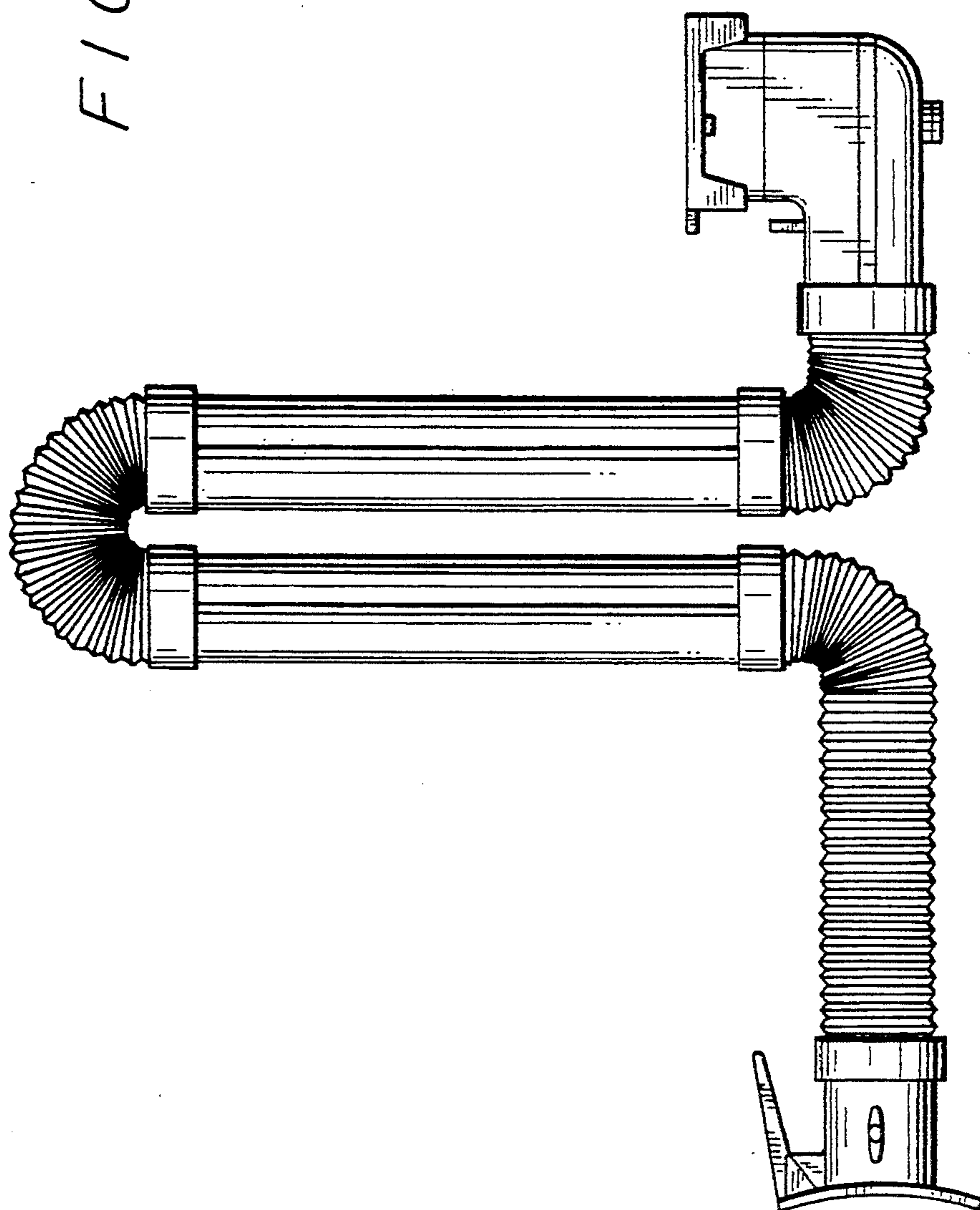


FIG. 4

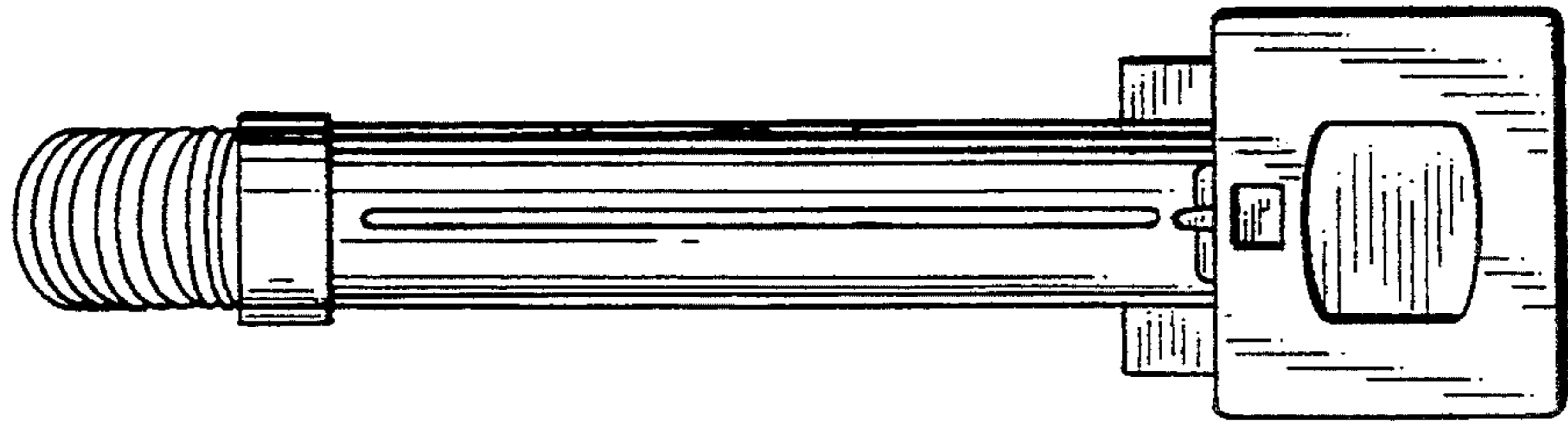


FIG. 3

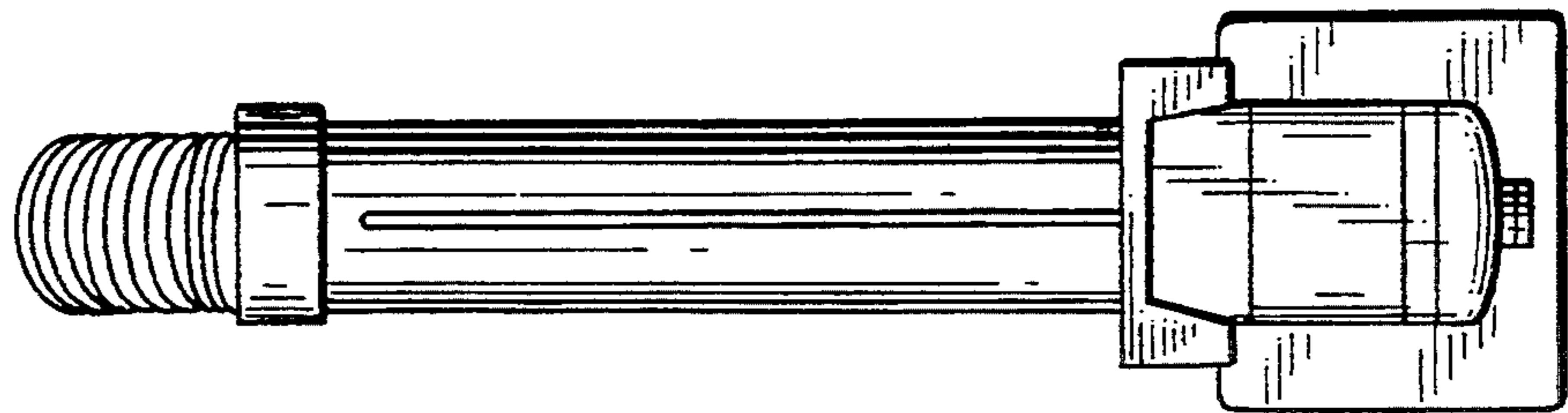


FIG. 5

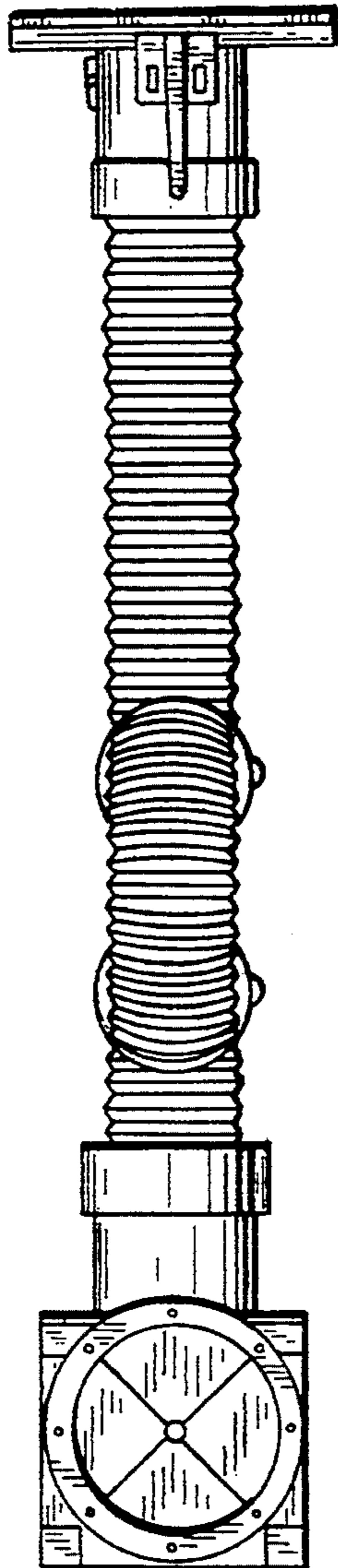


FIG. 6

