



US00D361834S

United States Patent [19]

[11] Patent Number: **Des. 361,834**

Hunniford

[45] Date of Patent: **** Aug. 29, 1995**

[54] AIR SCRUBBER UNIT FOR USE IN THE REMOVAL OF POLLUTANTS FROM THE AIR

[56] References Cited

U.S. PATENT DOCUMENTS

692,255	2/1902	Doolan	261/22
2,684,870	7/1954	Berg	96/130

FOREIGN PATENT DOCUMENTS

658750	4/1938	Germany	261/22
--------	--------	---------	--------

Primary Examiner—Lisa P. Lichtenstein
Attorney, Agent, or Firm—Nixon & Vanderhye

[75] Inventor: **David J. Hunniford**, Sarasota, Fla.

[73] Assignee: **Davis Water & Waste Industries, Inc.**, Tallevast, Fla.

[**] Term: **14 Years**

[21] Appl. No.: **17,896**

[22] Filed: **Jan. 25, 1994**

[57] CLAIM

The ornamental design for an air scrubber unit for use in the removal of pollutants from the air, as shown and described.

DESCRIPTION

FIG. 1 is a right side view of an air scrubber unit for use in removal of pollutants from the air, showing my new design, the left side view being identical to that shown; FIG. 2 is a top view thereof; FIG. 3 is a front view thereof on a reduced scale; and, FIG. 4 is a rear view thereof.

Related U.S. Application Data

[62] Division of Ser. No. 708,624, May 31, 1991, Pat. No. Des. 347,469.

[52] U.S. Cl. D23/364

[58] Field of Search D23/364; 261/22; 422/170; 96/130

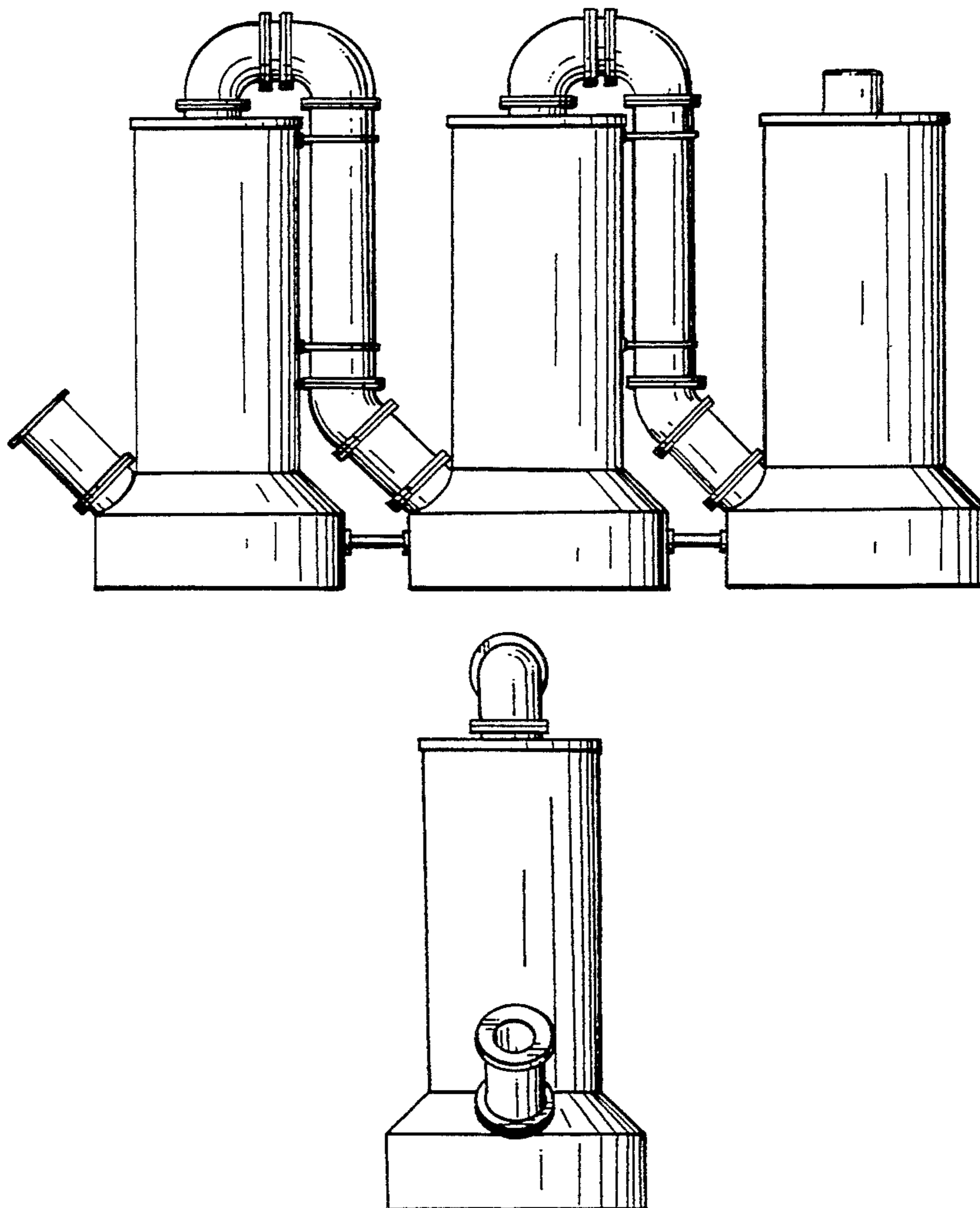


FIG. 1

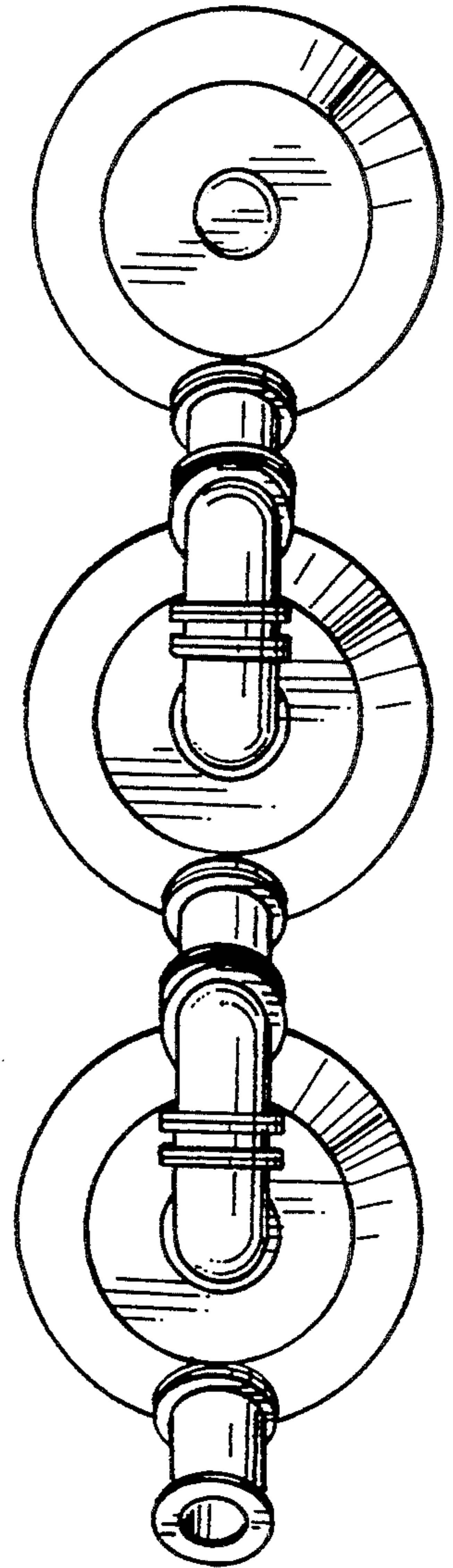
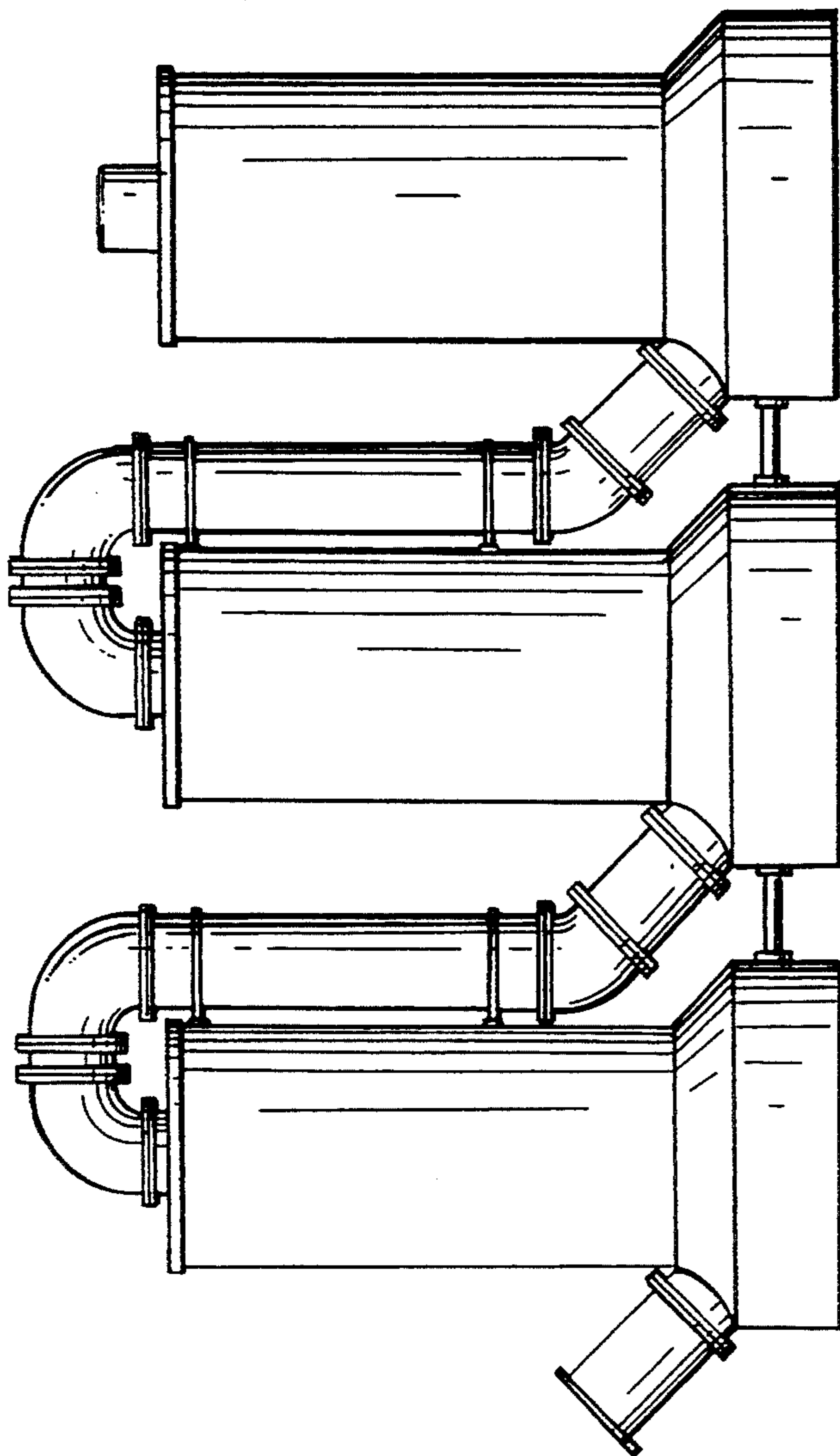


FIG. 2

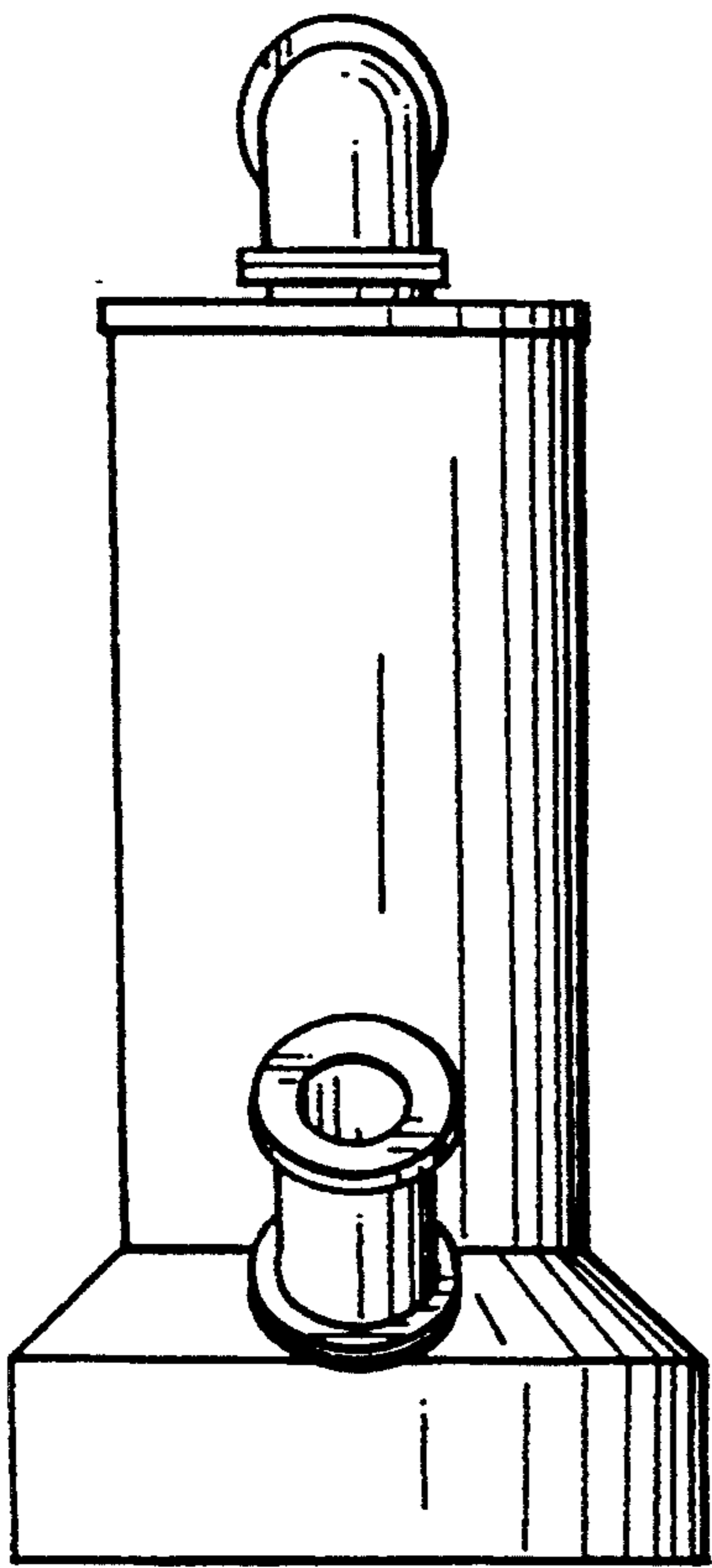


FIG. 3

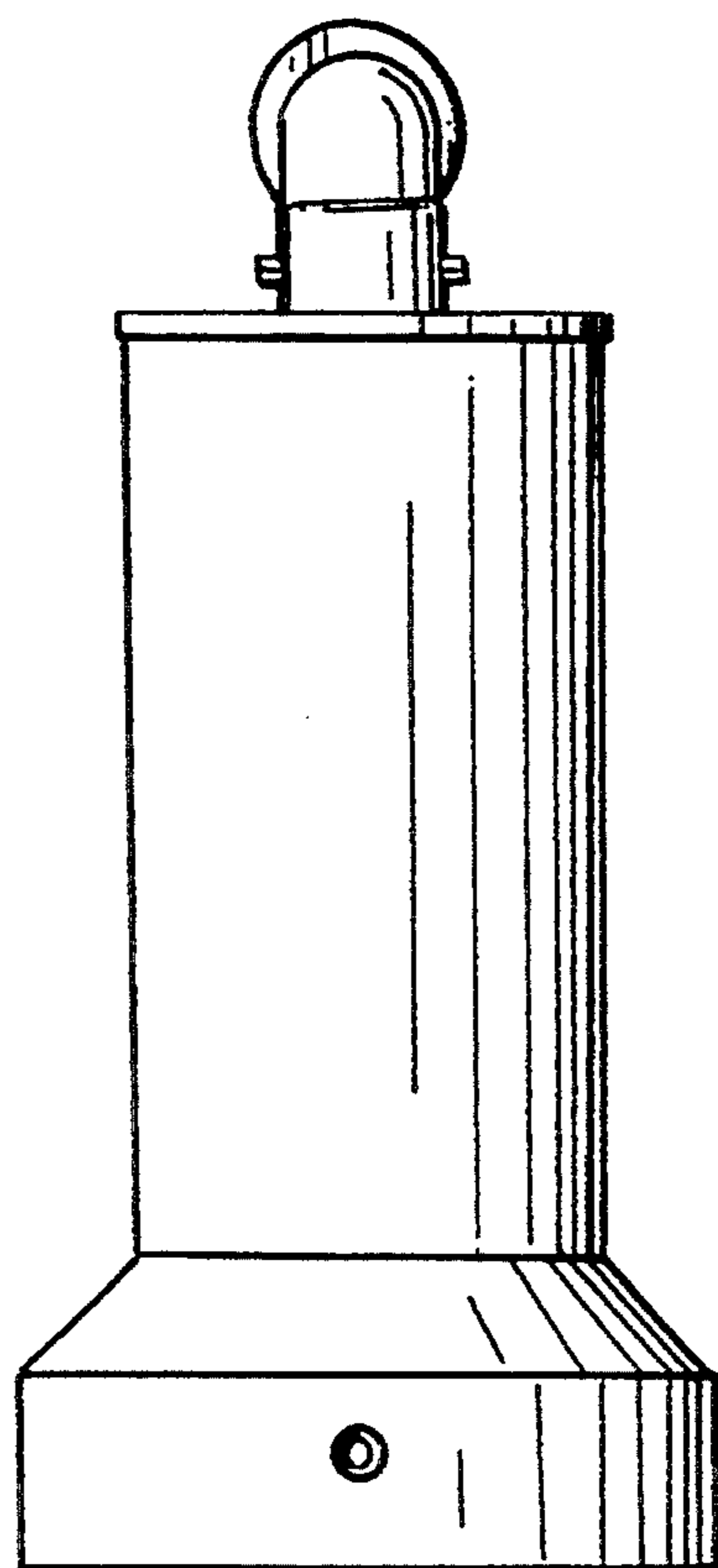


FIG. 4