



US00D361830S

United States Patent [19]

[11] Patent Number: **Des. 361,830**

Segenschmid

[45] Date of Patent: **** Aug. 29, 1995**

[54] LAVATORY

[75] Inventor: **Ludwig A. Segenschmid**, Munich, Germany

[73] Assignee: **American Standard Inc.**, N.J.

[**] Term: **14 Years**

[21] Appl. No.: **13,182**

[22] Filed: **Sep. 20, 1993**

[30] Foreign Application Priority Data

Mar. 19, 1993 [XH] Hague Agreement DM/025,574

[52] U.S. Cl. **D23/293.1**

[58] Field of Search D23/284-293;
4/619

[56] References Cited

U.S. PATENT DOCUMENTS

D. 220,396	4/1971	Skyhawk	D23/293.1
D. 238,070	12/1975	Ganger	D23/293.1
D. 240,727	7/1976	Garasi et al.	D23/293.1
D. 240,825	8/1976	Gruber	D23/293.1
D. 246,050	10/1977	Garasi	D23/293.1

D. 260,678	9/1981	Hiller	D23/293.1
D. 267,336	12/1982	Fortuno	D23/293.1
D. 274,166	6/1984	Kaiser	D23/293.1
D. 281,449	11/1985	Stairs, Jr.	D23/293.1
D. 312,123	11/1990	Enthoven	D23/293.1
4,991,241	2/1991	Bergmann	4/619

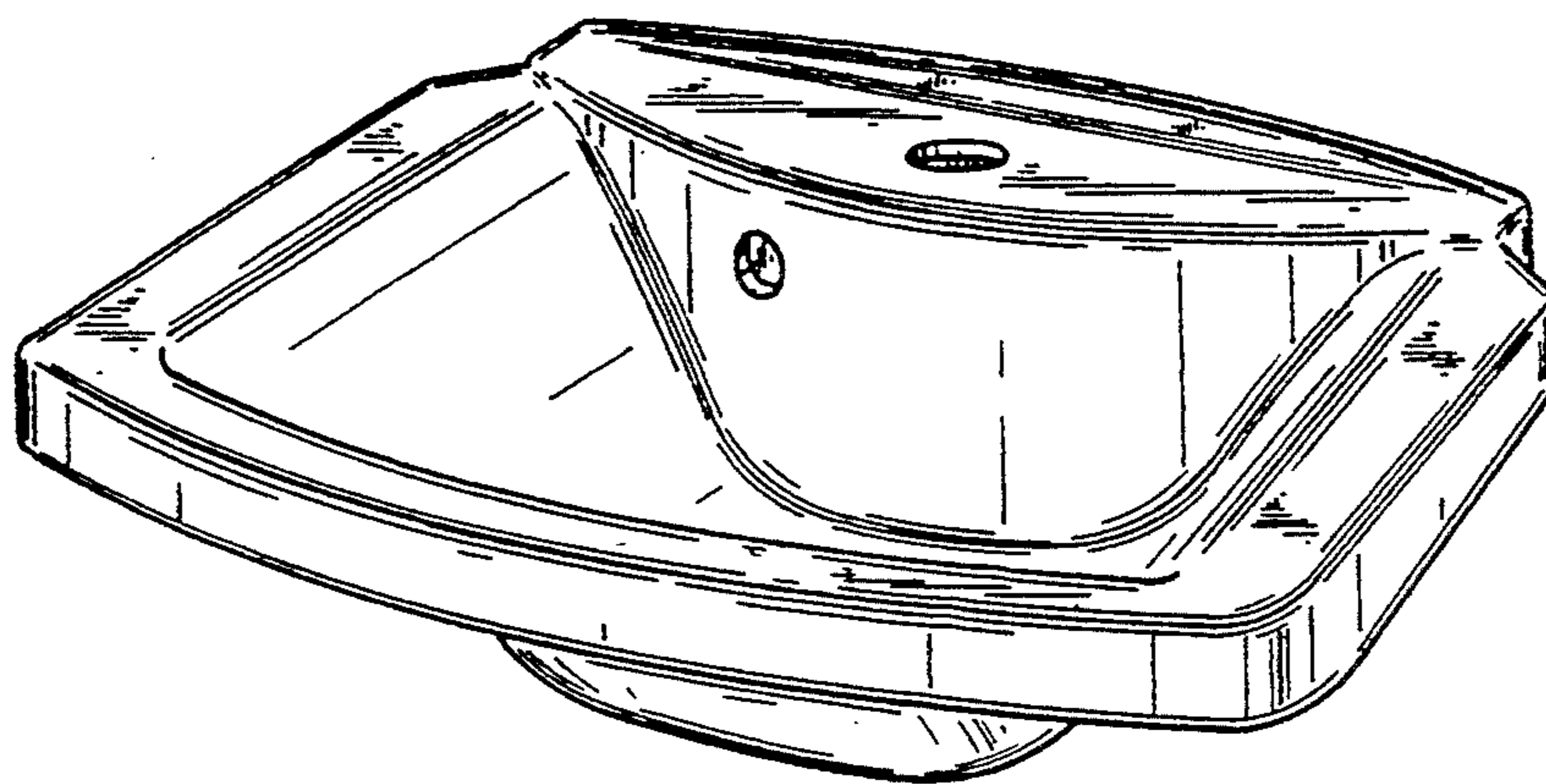
Primary Examiner—Louis S. Zarfaz
Assistant Examiner—E. Watterson
Attorney, Agent, or Firm—Elaine Brenner Robinson;
Ann M. Knab

[57] CLAIM

The ornamental design for a lavatory, as shown and described.

DESCRIPTION

FIG. 1 is a top, front and right side perspective view of a lavatory showing my new design;
FIG. 2 is a left side elevational view thereof, the right side being a mirror image of the left side;
FIG. 3 is a front elevational view thereof;
FIG. 4 is a top plan view thereof;
FIG. 5 is a bottom plan view thereof; and,
FIG. 6 is a rear elevational view thereof.



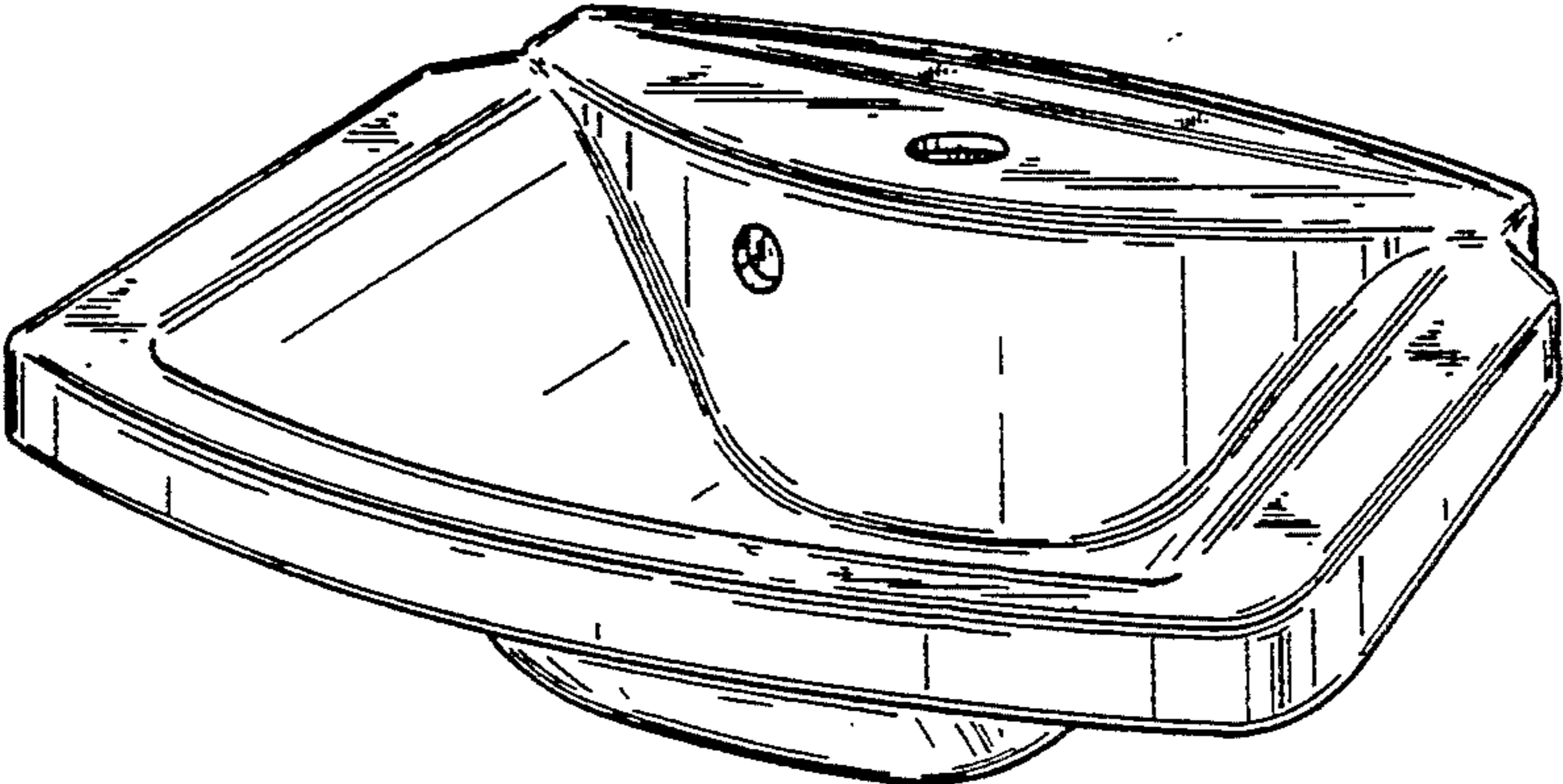


FIG. 1

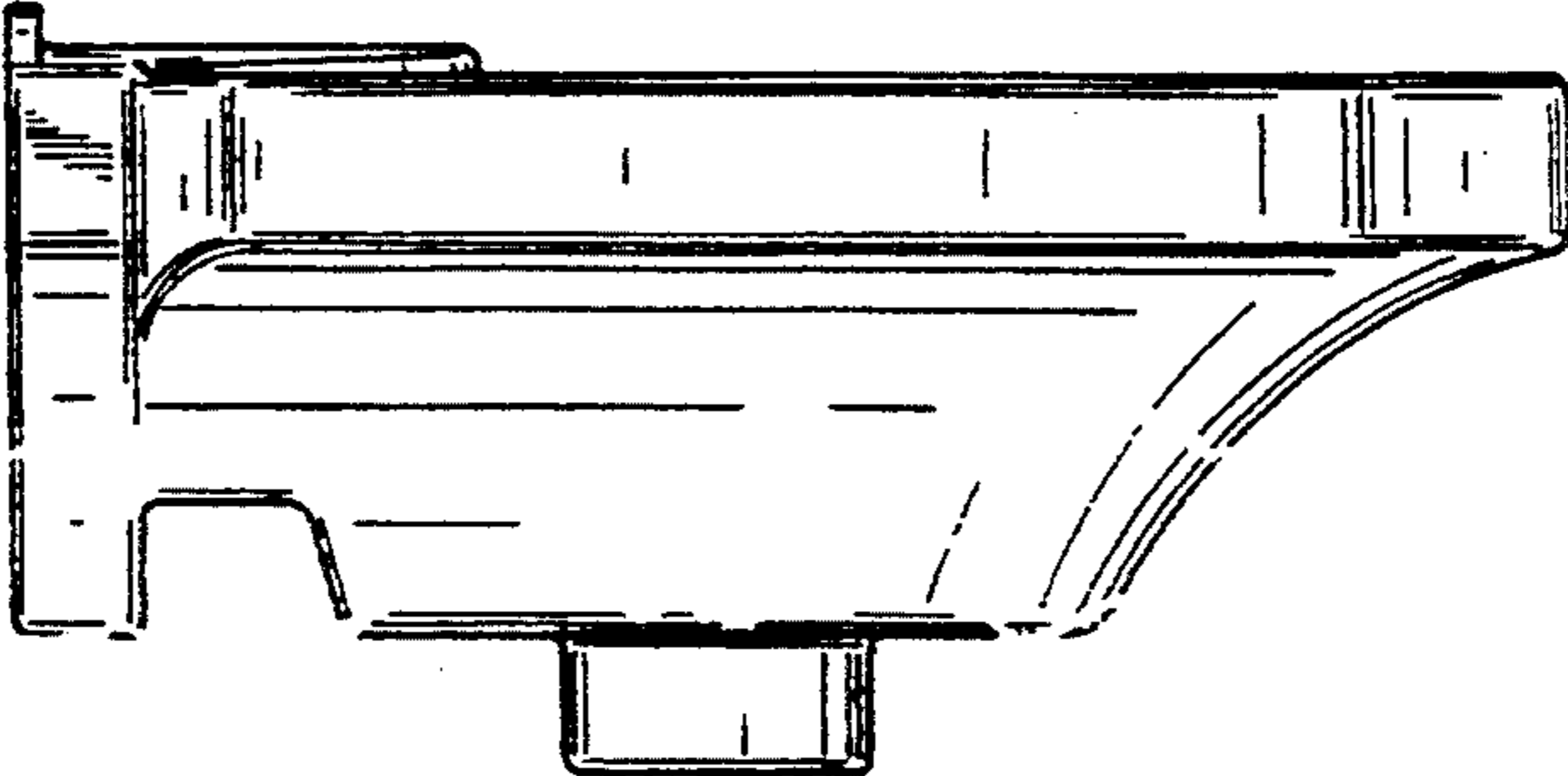


FIG. 2

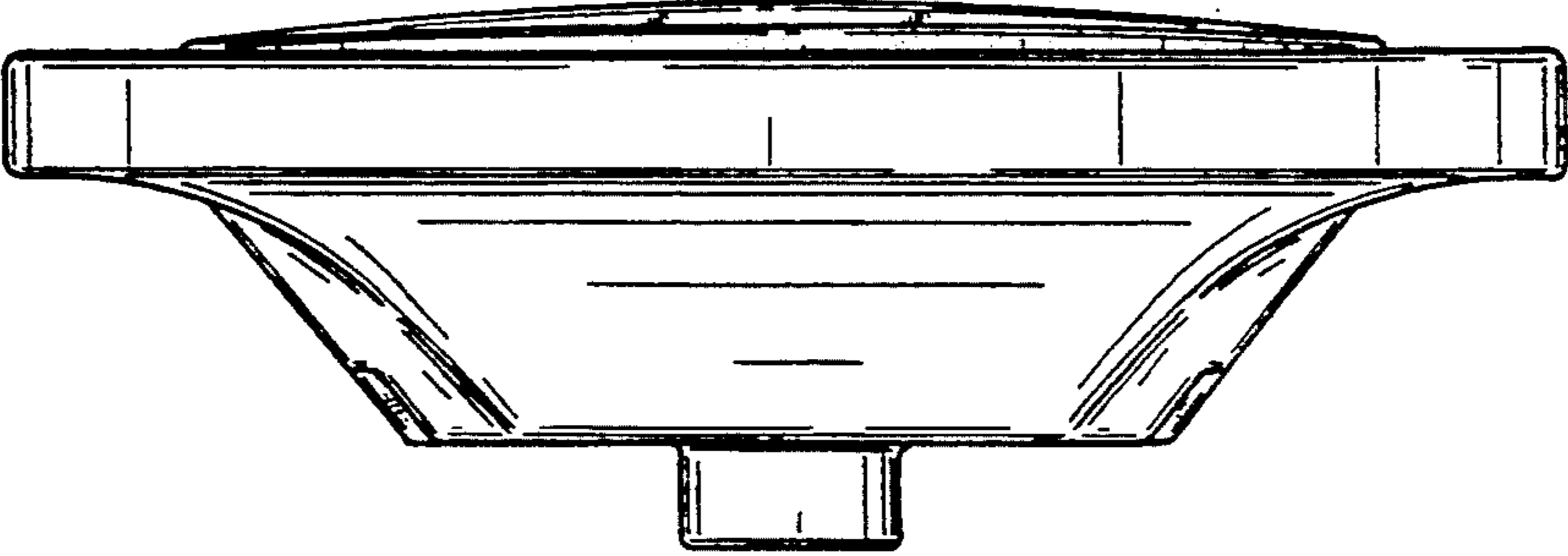


FIG. 3

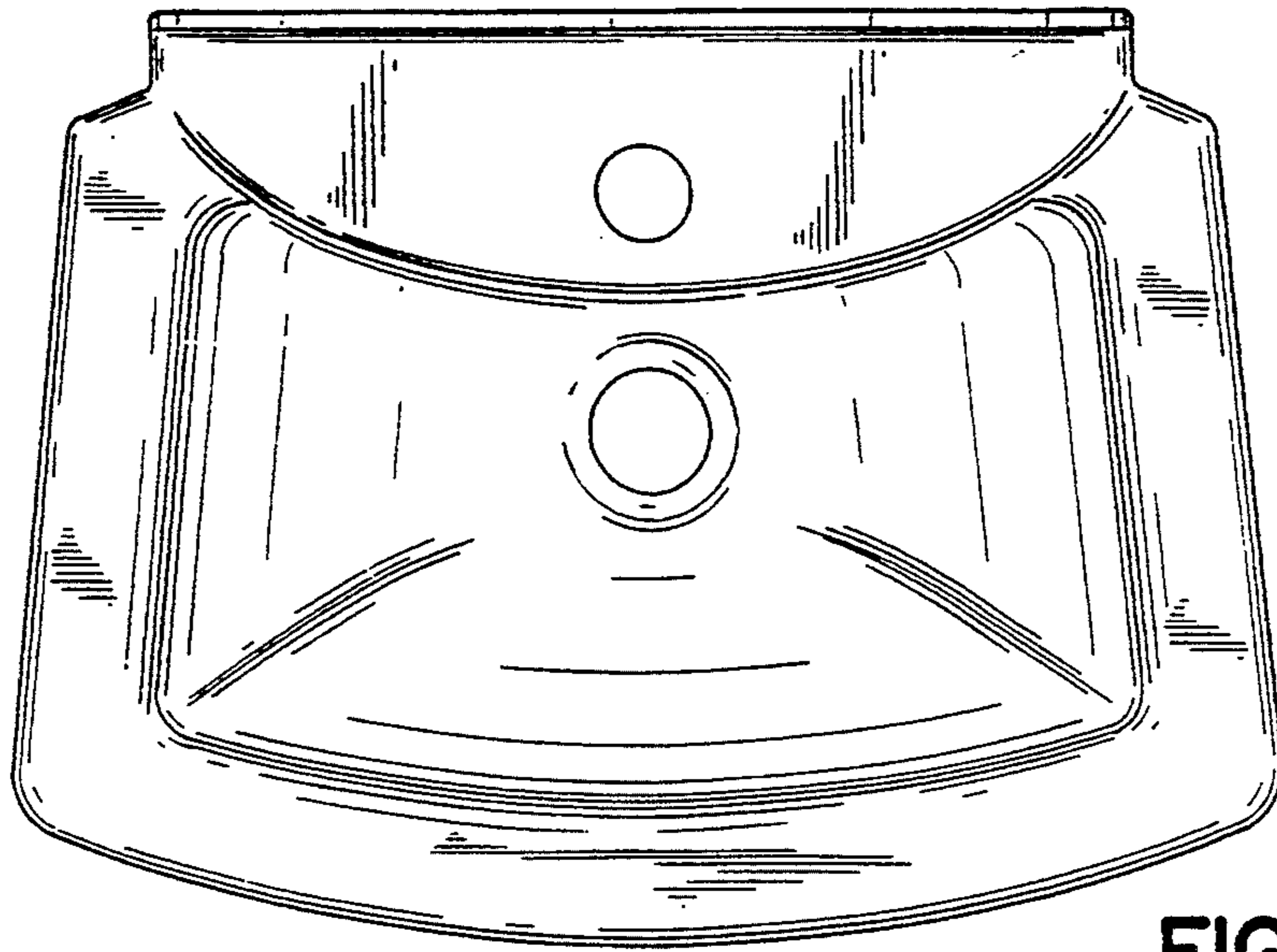


FIG. 4

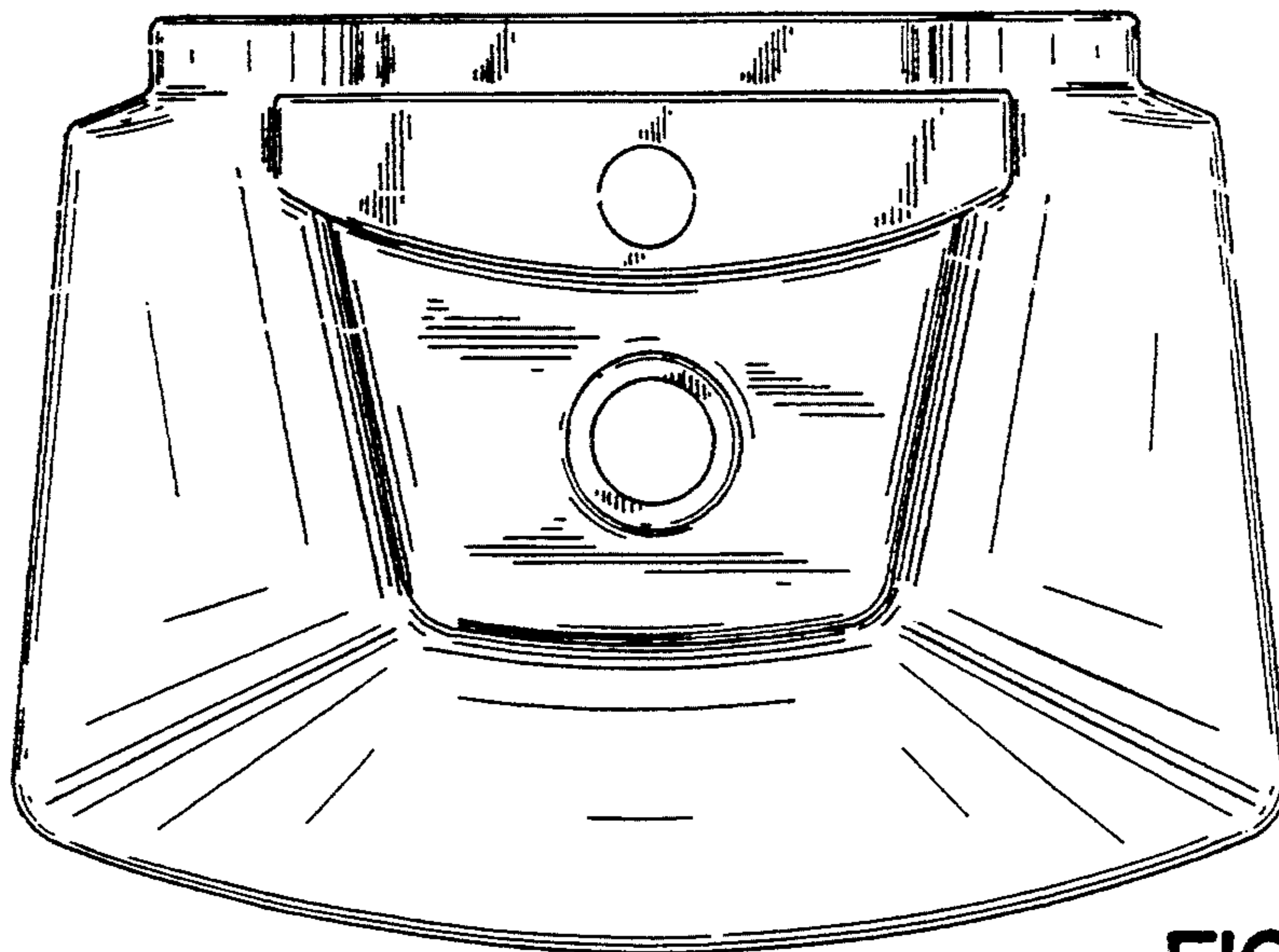


FIG. 5

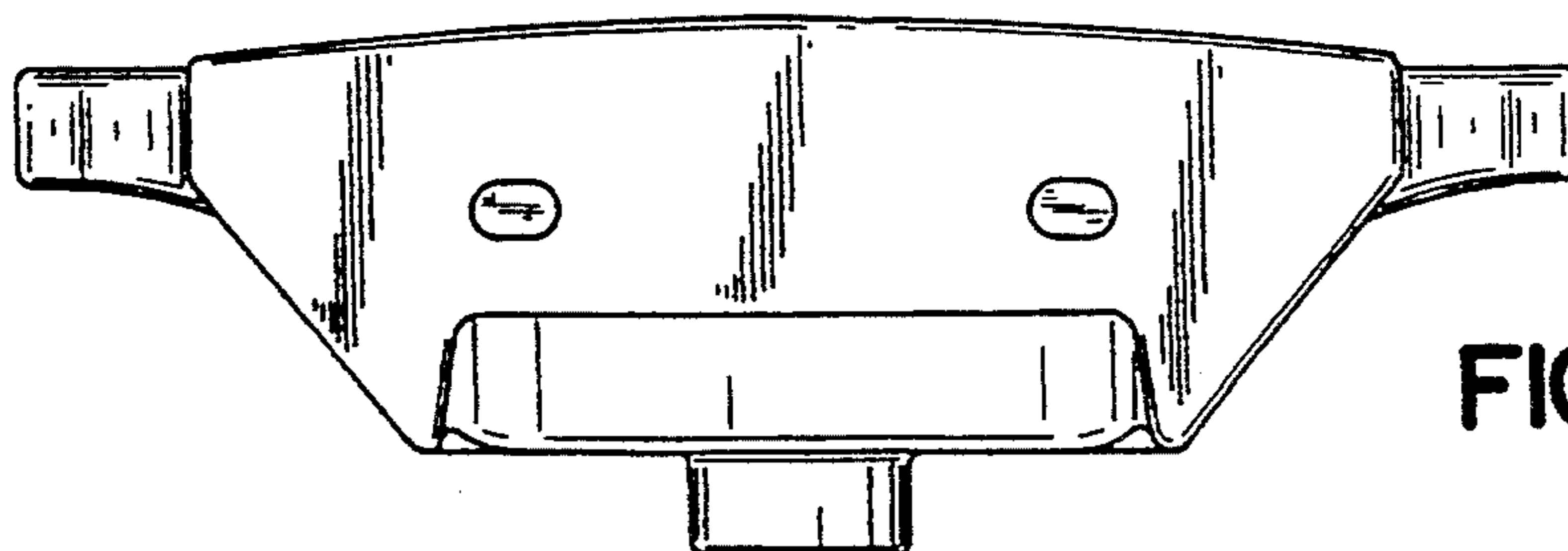


FIG. 6