



US00D361825S

# United States Patent [19] Mine

[11] Patent Number: **Des. 361,825**

[45] Date of Patent: **\*\* Aug. 29, 1995**

[54] **INFRARED FAUCET**

[75] Inventor: **Yukio Mine, Kitakyushu, Japan**

[73] Assignee: **Toto Ltd., Kitakyushu, Japan**

[\*\*] Term: **14 Years**

[21] Appl. No.: **27,595**

[22] Filed: **Aug. 25, 1994**

[52] U.S. Cl. .... **D23/238**

[58] Field of Search ..... 4/623, 675-678;  
D23/238-243, 255-258; 137/801, 216, 606,  
625.17

4,635,673 1/1987 Gerdes ..... 137/216  
4,998,555 3/1991 Barhydt, Sr. et al. .... 4/678 X

*Primary Examiner*—Louis S. Zarfes  
*Assistant Examiner*—Eric Watterson

### [57] CLAIM

The ornamental design for an infrared faucet, as shown and described.

### DESCRIPTION

FIG. 1 is a perspective view of an infrared faucet showing my new design;  
FIG. 2 is a front elevational view thereof;  
FIG. 3 is a rear elevational view thereof;  
FIG. 4 is a top plan view thereof;  
FIG. 5 is a bottom plan view thereof;  
FIG. 6 is a side elevational view thereof, the opposite side being a mirror image thereof; and,  
FIG. 7 is a sectional view taken on line 7—7 of FIG. 2.

### [56] References Cited

#### U.S. PATENT DOCUMENTS

D. 329,083 9/1992 Dannenberg .  
2,173,064 9/1939 Judell ..... 4/676  
3,505,692 4/1970 Forbes ..... 4/623

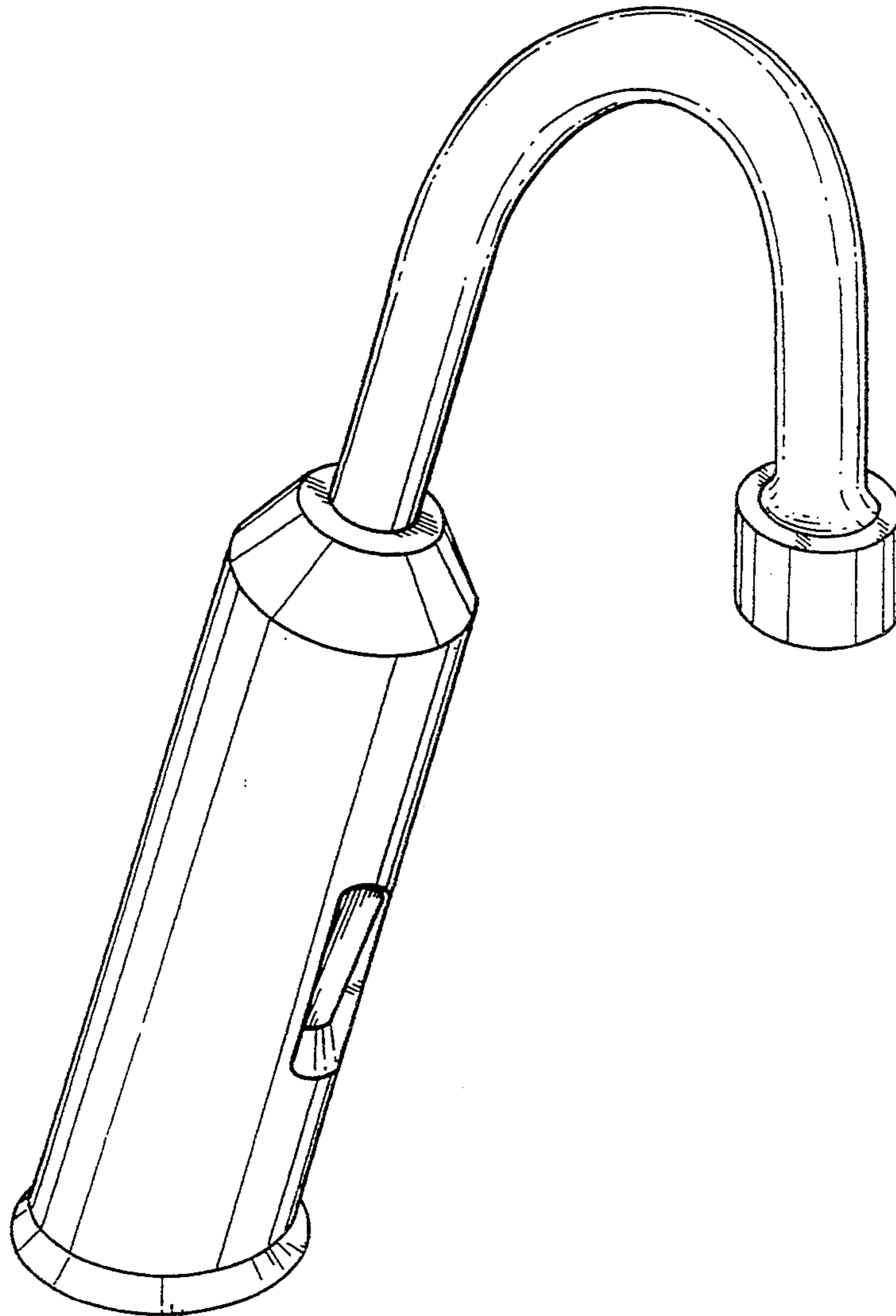


FIG. 1

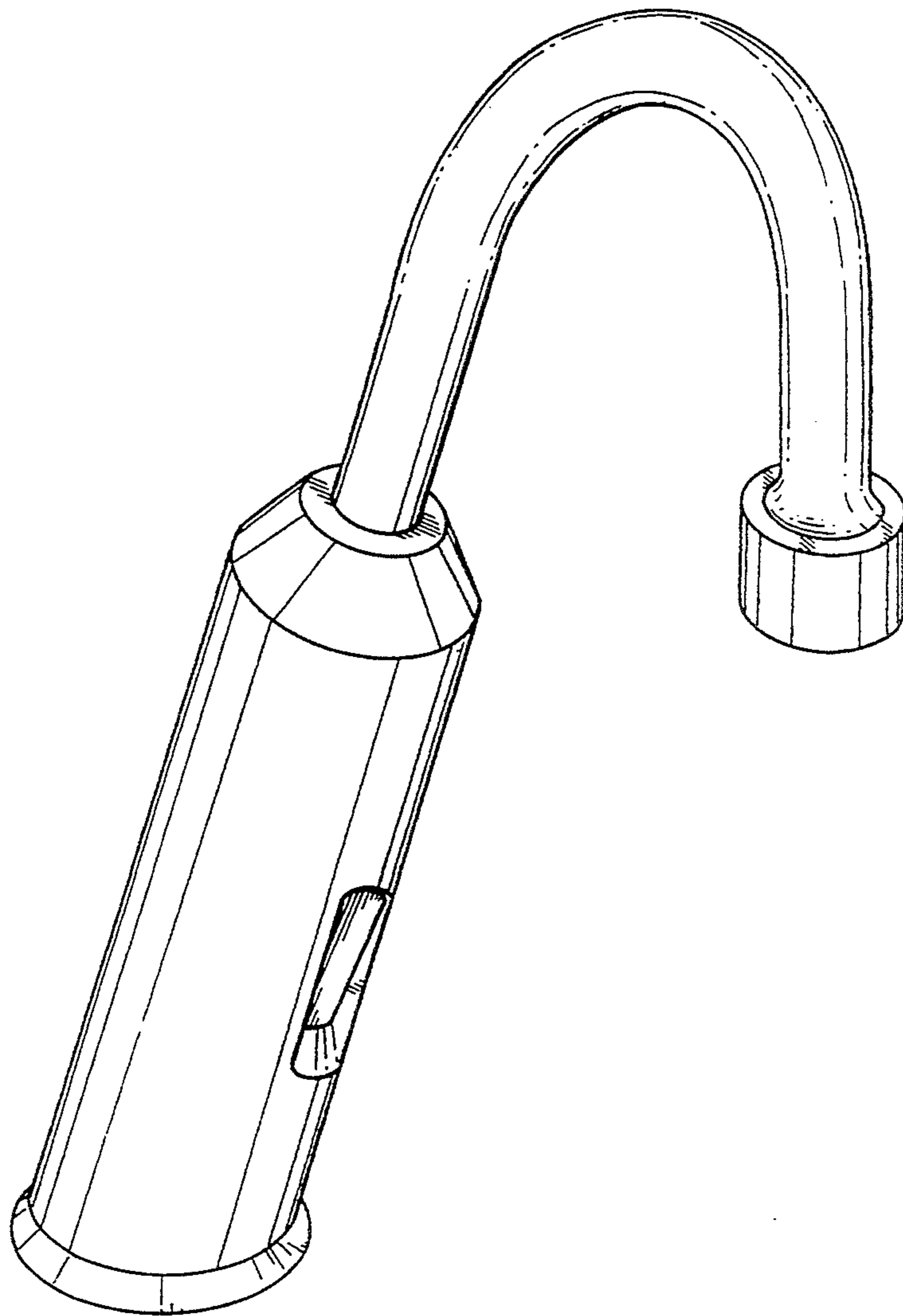


FIG. 2

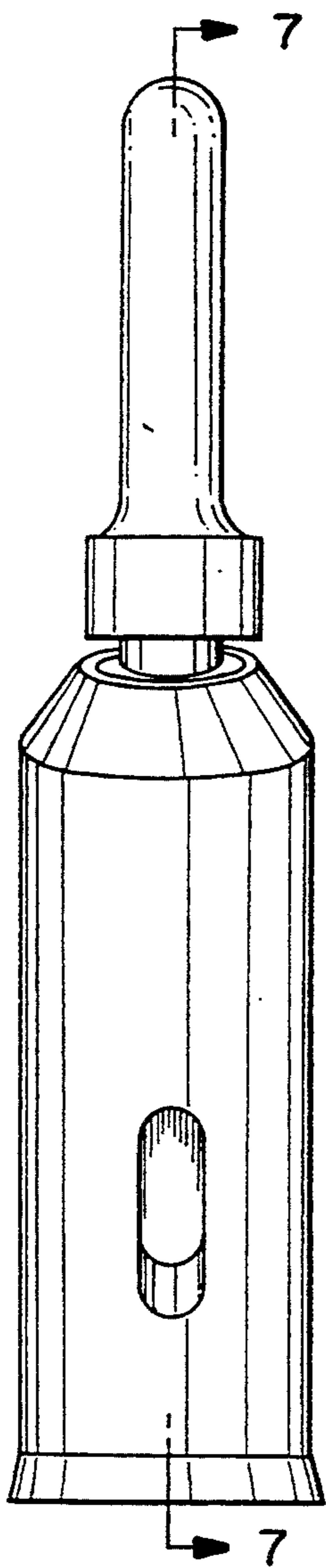


FIG. 3

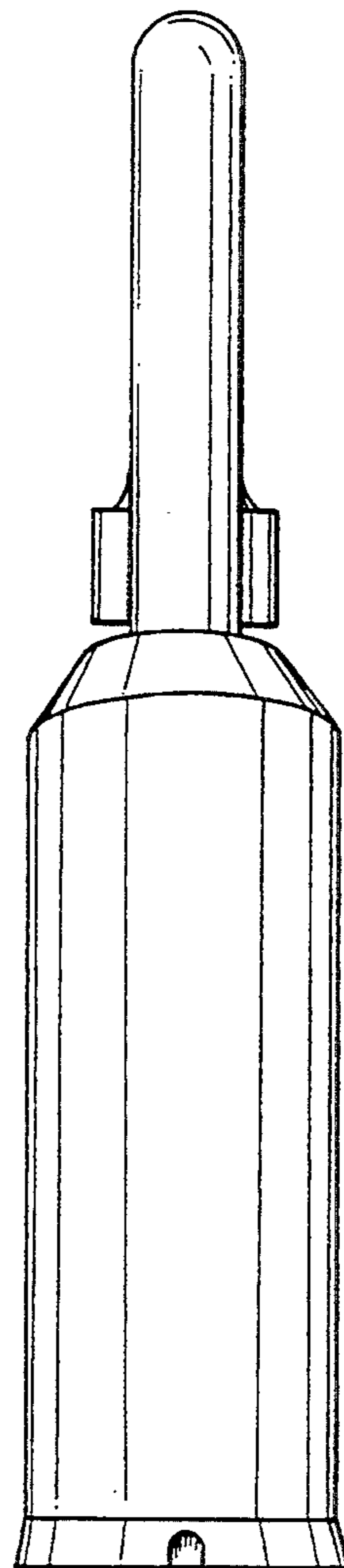


FIG. 4

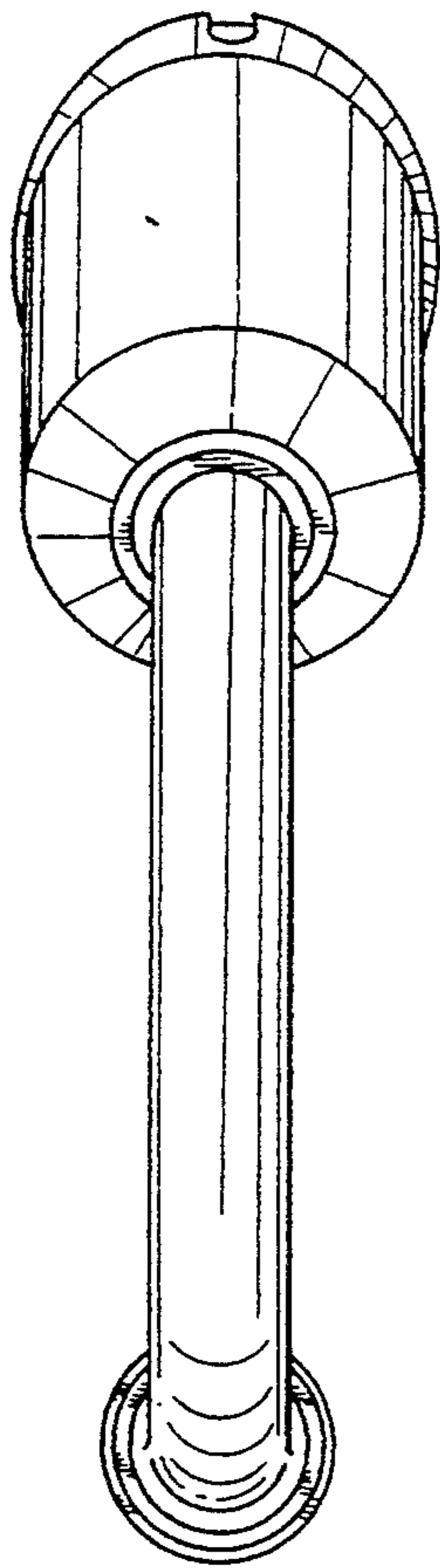
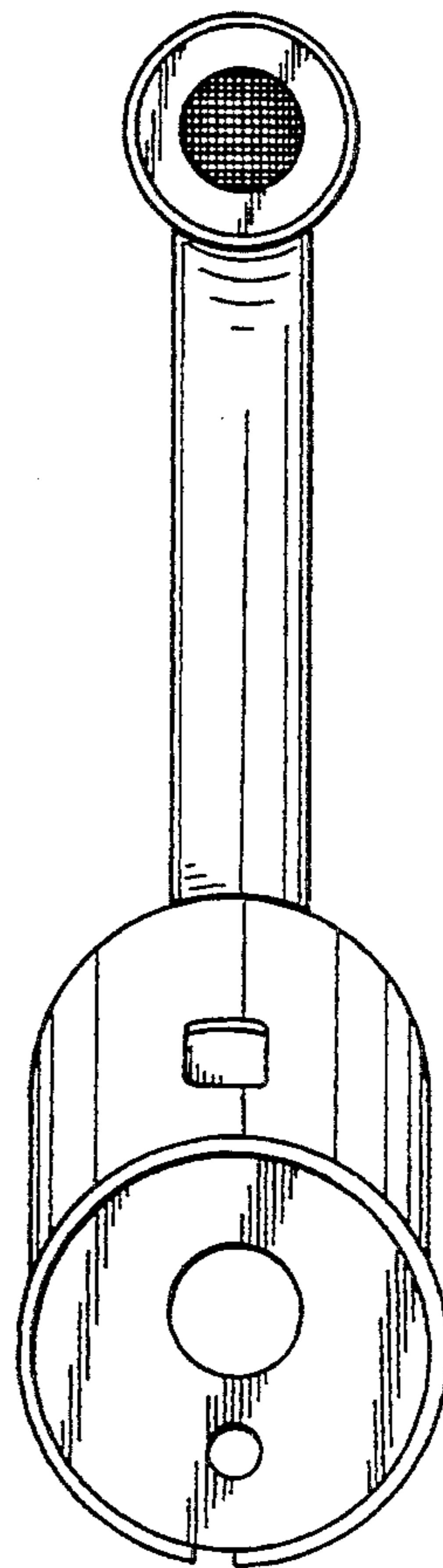


FIG. 5



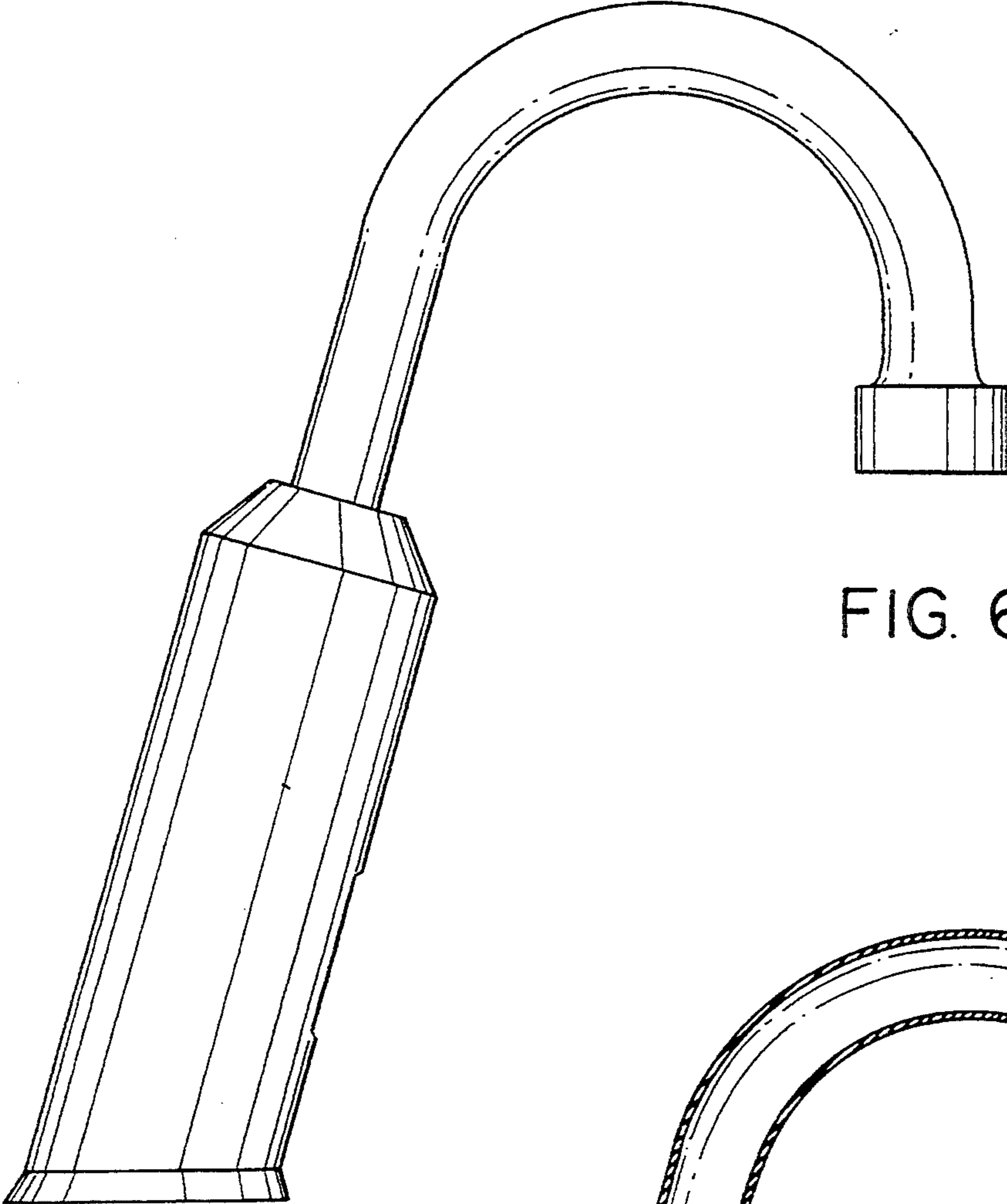


FIG. 6

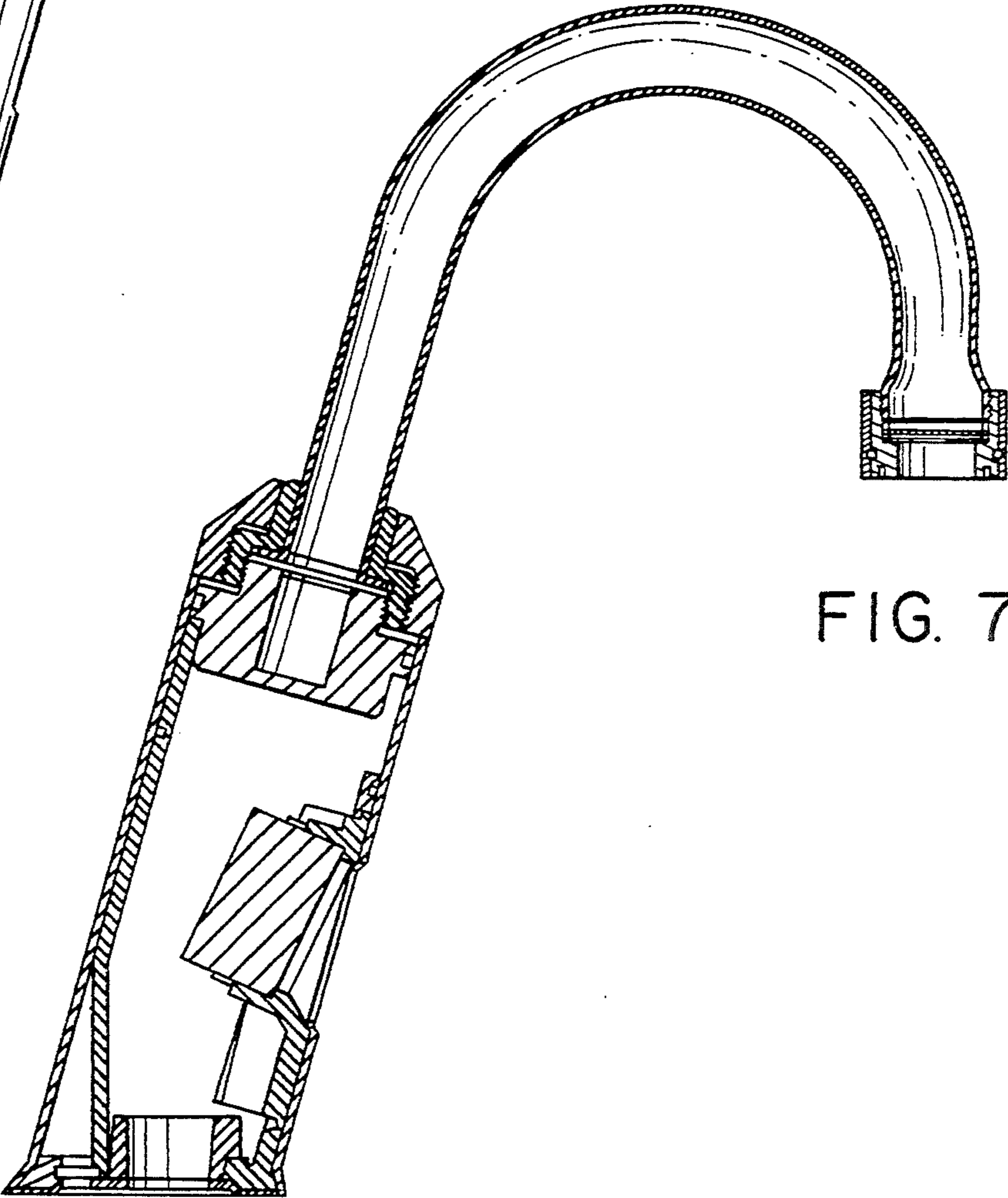


FIG. 7