



US00D361823S

United States Patent [19]

[11] Patent Number: **Des. 361,823**

Layton et al.

[45] Date of Patent: **** Aug. 29, 1995**

[54] **WATER TREATMENT DEVICE**

4,476,023 10/1984 Horikoshi et al. 210/282 X
5,108,599 4/1992 Lowery 210/282 X

[75] Inventors: **James R. Layton**, Quakertown;
Michael Yoshpa, Chalfont; **Pavel Talberg**, Doylestown, all of Pa.

Primary Examiner—Louis S. Zarfes
Assistant Examiner—Monica A. Hannon
Attorney, Agent, or Firm—Panitch, Schwarze, Jacob & Nadel

[73] Assignee: **Aquarium Pharmaceuticals, Inc.**, Chalfont, Pa.

[**] Term: **14 Years**

[57] **CLAIM**

[21] Appl. No.: **28,421**

The ornamental design for a water treatment device, as shown and described.

[22] Filed: **Sep. 7, 1994**

DESCRIPTION

[52] U.S. Cl. **D23/207; D23/200**

[58] **Field of Search** **D23/200-209;**
202/185.5, 185.6, 200; 210/192, 222, 223, 257.2,
282, 446, 448, 744; 222/185, 189

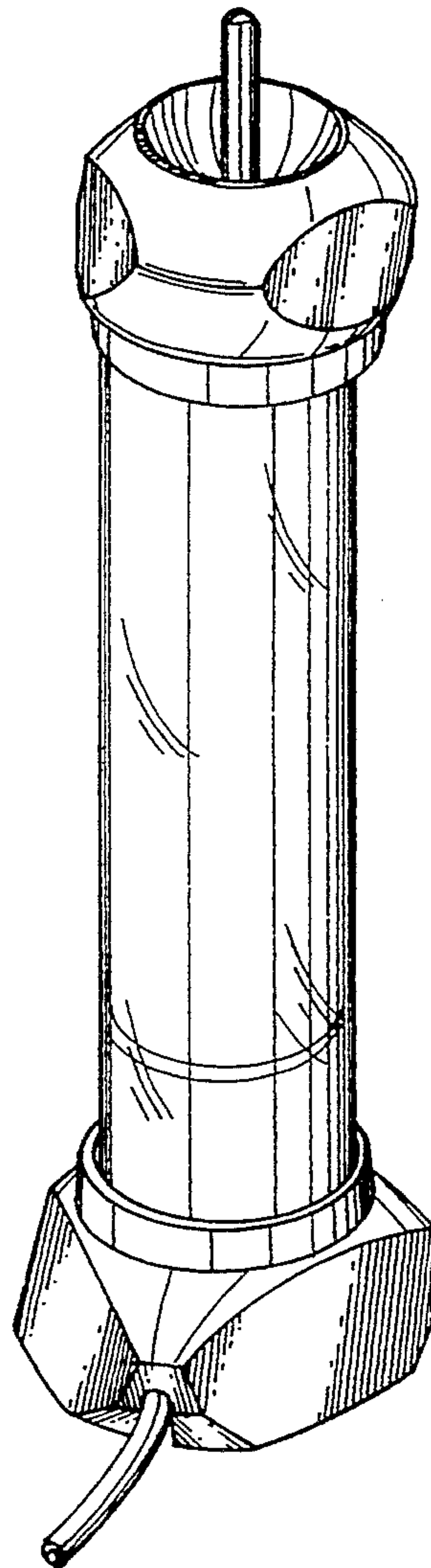
FIG. 1 is a front elevational view of a water treatment device showing the new design;
FIG. 2 is a rear elevational view thereof;
FIG. 3 is a right side elevational view of the device;
FIG. 4 is a top plan view of the water treatment device;
FIG. 5 is a bottom plan view thereof; and,
FIG. 6 is a perspective view of the device.

[56] **References Cited**

U.S. PATENT DOCUMENTS

3,831,757 8/1974 Gossett et al. 210/257.2 X
3,957,644 5/1976 Edmonson 210/446 X

The left side elevational view is a mirror image of the right side elevational view.



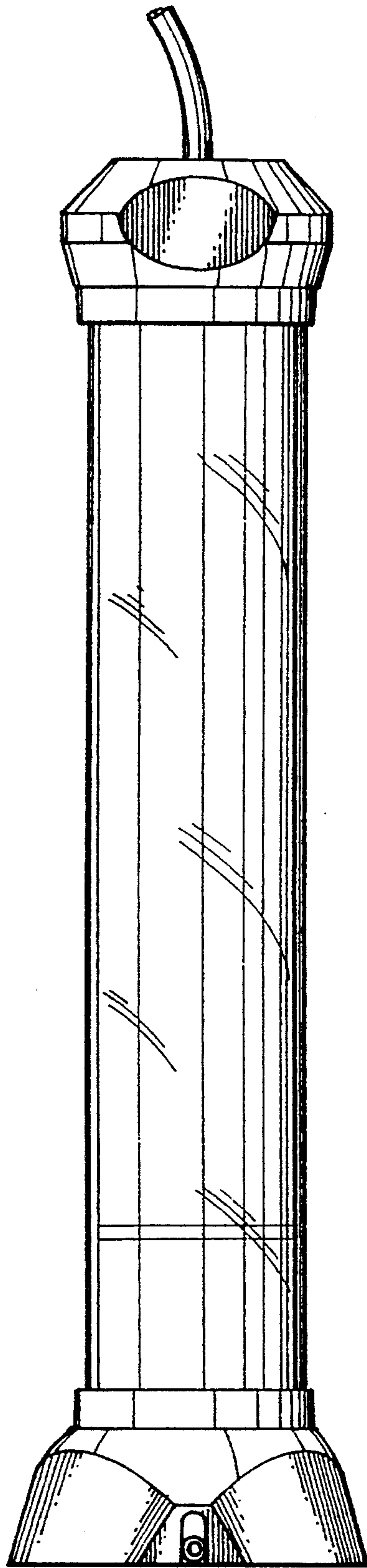


FIG. 1

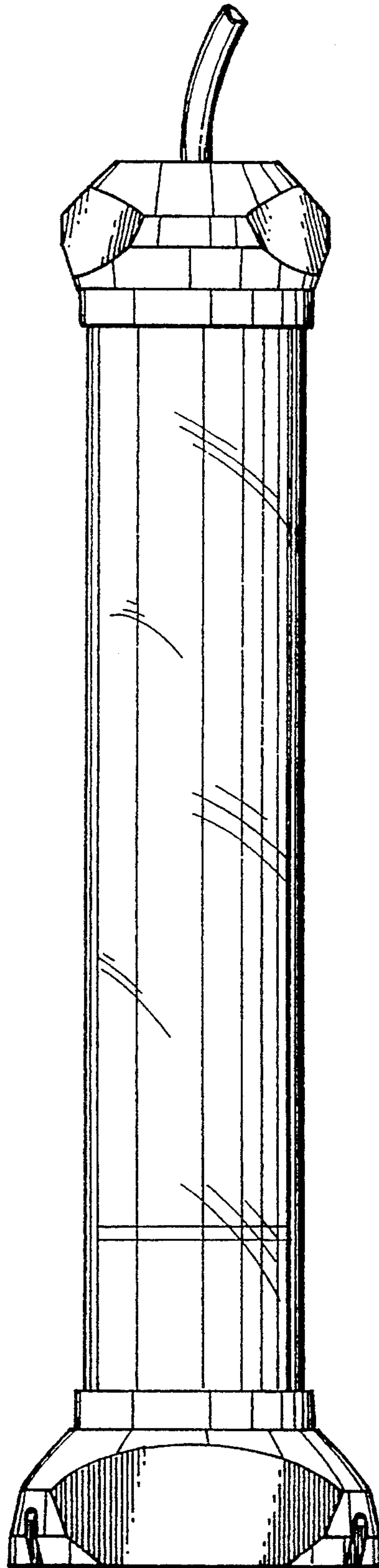


FIG. 2

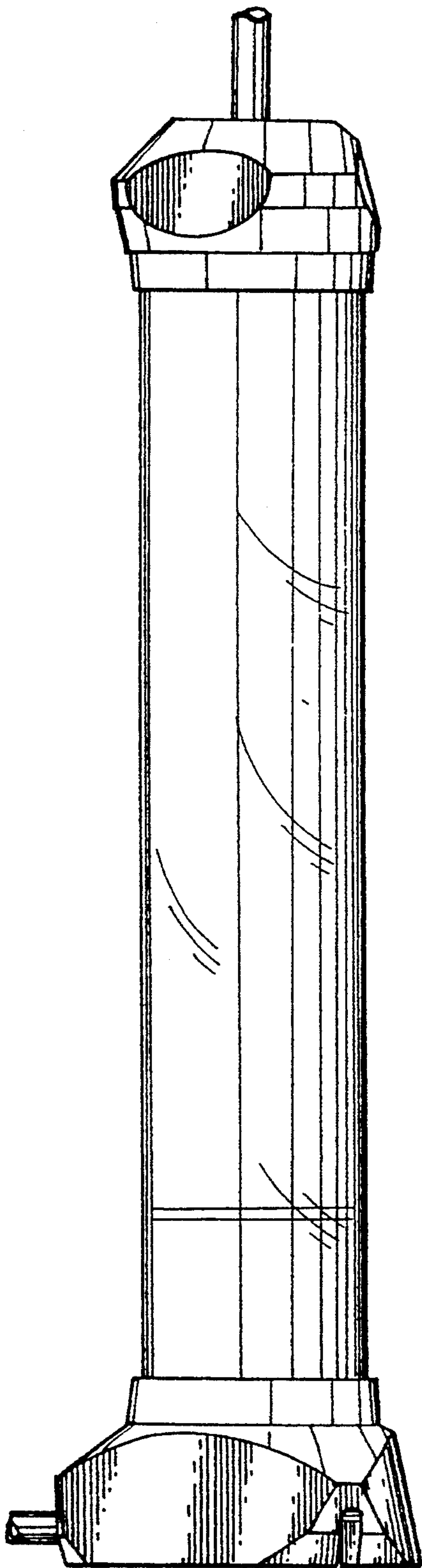


FIG. 3

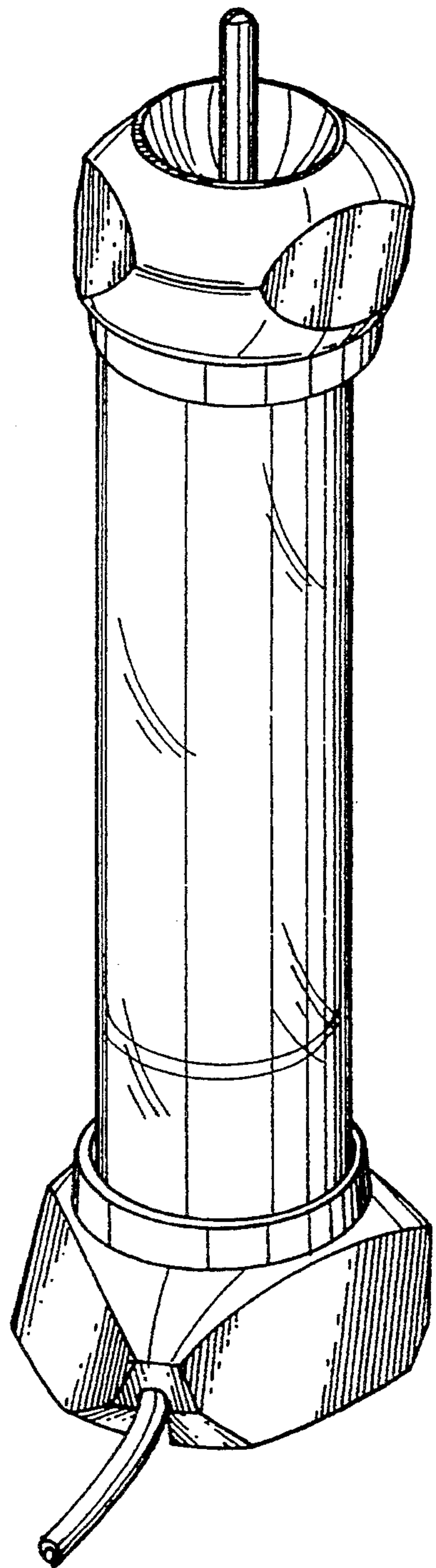


FIG. 6

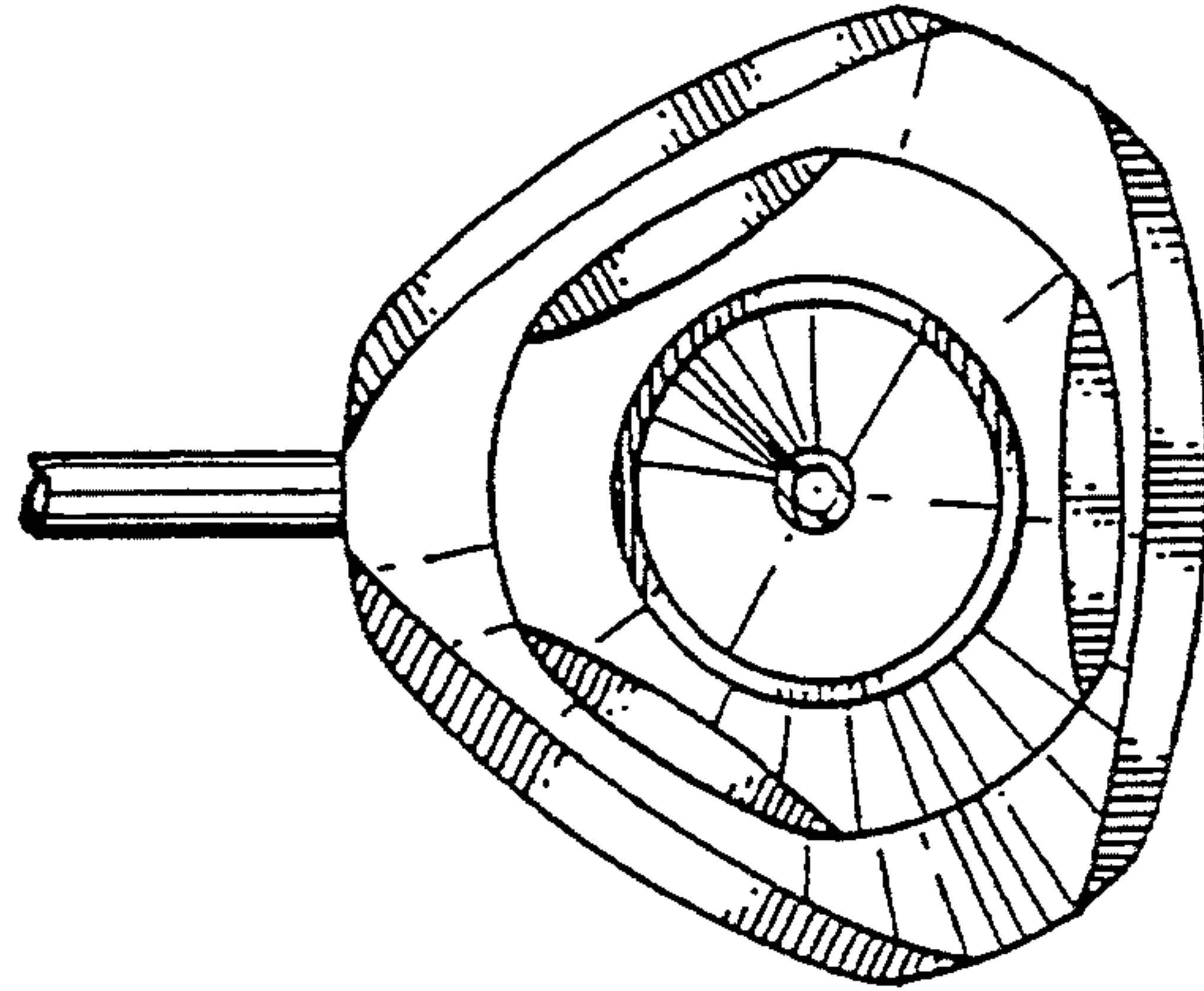


FIG. 4

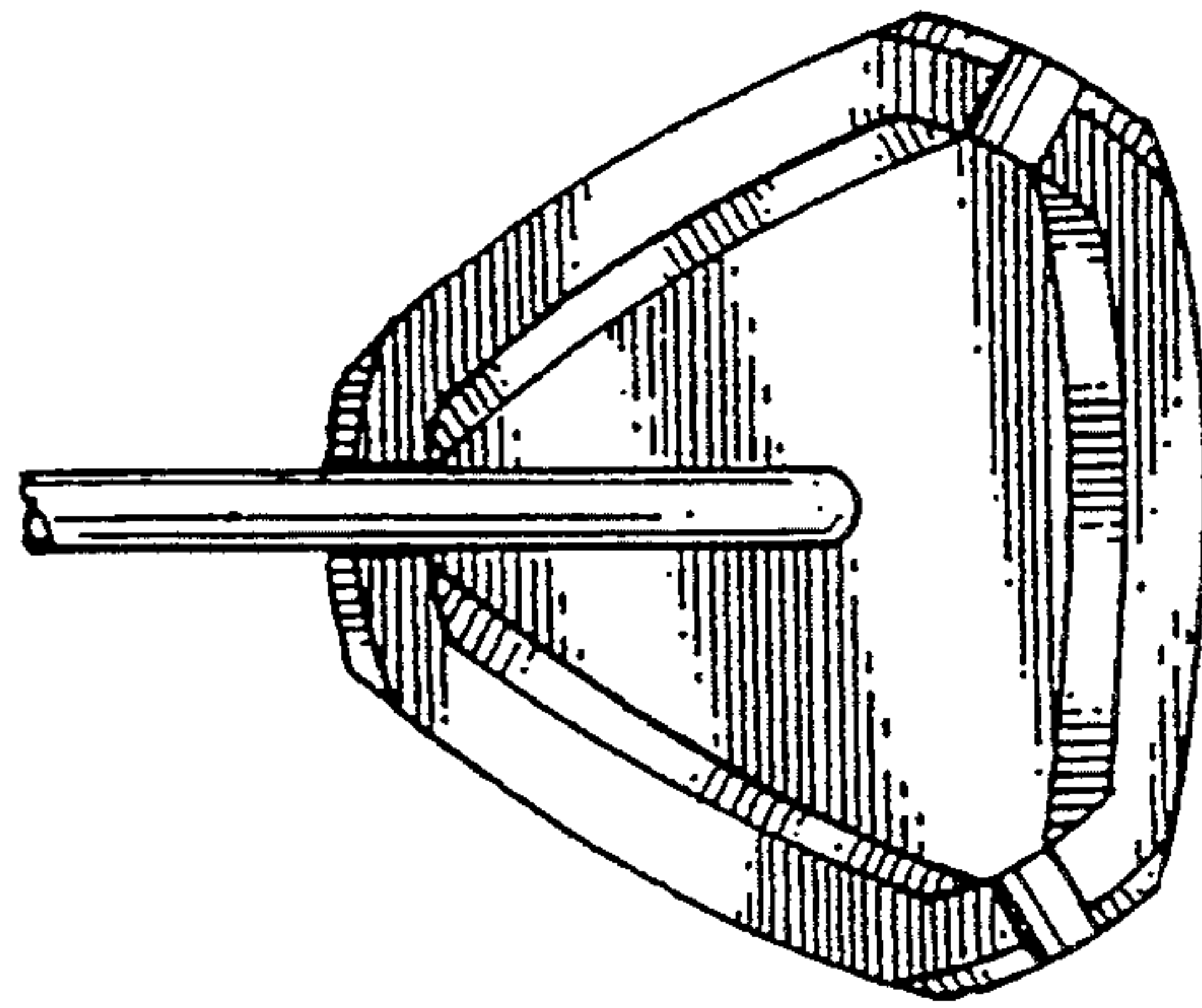


FIG. 5