



US00D361819S

United States Patent [19]

[11] Patent Number: **Des. 361,819**

Serrao

[45] Date of Patent: **** Aug. 29, 1995**

- [54] MUZZLE LOCK FOR FIREARM BARREL
- [76] Inventor: **Anthony Serrao**, 6363 Lowell Dr.,
Verona, Pa. 15147
- [**] Term: **14 Years**
- [21] Appl. No.: **21,073**
- [22] Filed: **Apr. 8, 1994**
- [52] U.S. Cl. **D22/108; D22/100**
- [58] Field of Search **D22/100, 101, 108;**
42/70.11; 89/194, 195, 160

3,208,176 9/1965 Giles 42/70.11 X
 4,048,741 9/1977 Chiodo et al. 42/70.11 X

Primary Examiner—Louis S. Zarfaz
Assistant Examiner—Monica A. Hannon
Attorney, Agent, or Firm—H. Jay Spiegel

[57] CLAIM

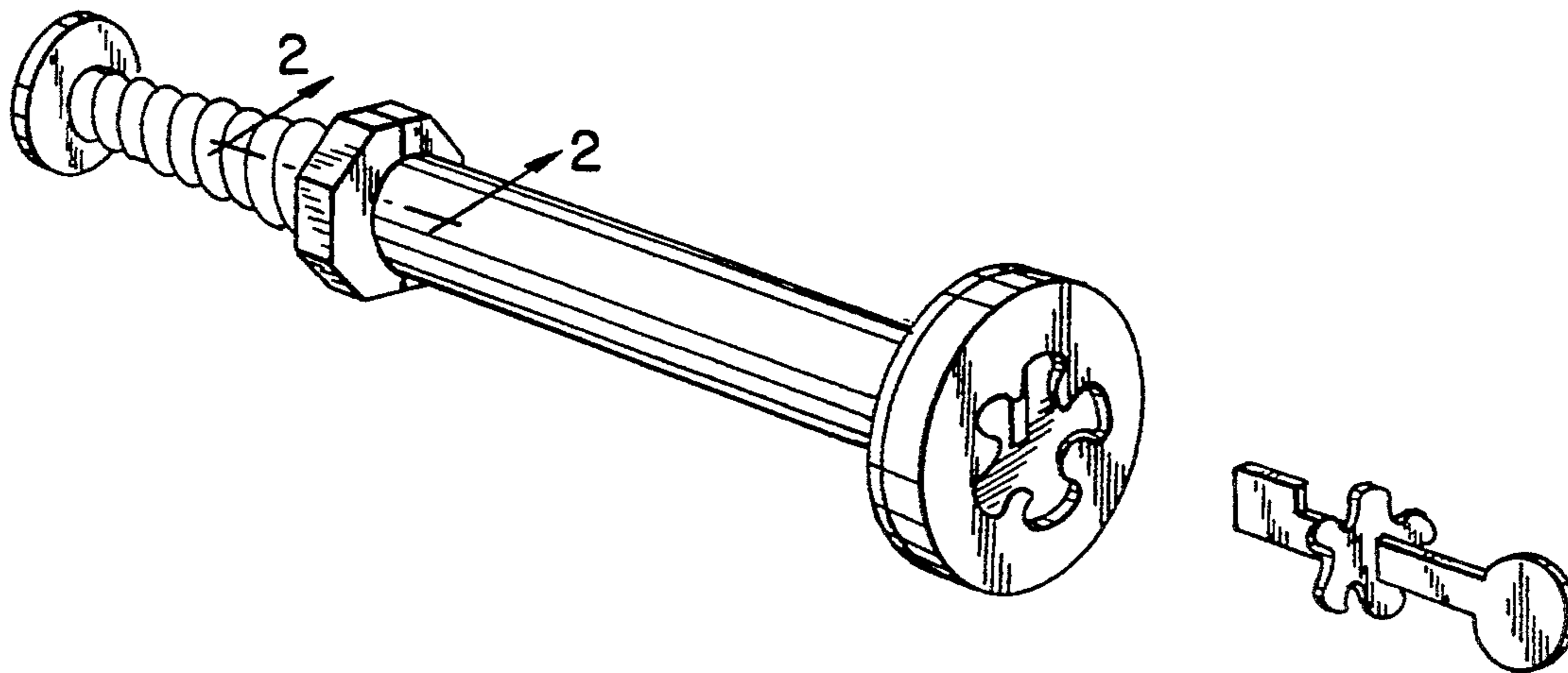
The ornamental design for a muzzle lock for firearm barrel, as shown and described.

DESCRIPTION

FIG. 1 shows an exploded perspective view of the present invention;
 FIG. 2 shows a side view of the present invention with the environment of intended use shown in phantom;
 FIG. 3 shows the other side view of the present invention;
 FIG. 4 shows a front view of the present invention; and,
 FIG. 5 shows a rear view of the present invention.

[56] **References Cited**
U.S. PATENT DOCUMENTS

2,478,098	8/1949	Hansen	42/70.11
2,937,666	5/1960	Maisch	42/70.11 X
2,943,411	7/1960	Salva	42/70.11 X
3,027,674	4/1962	Mahan	42/70.11 X



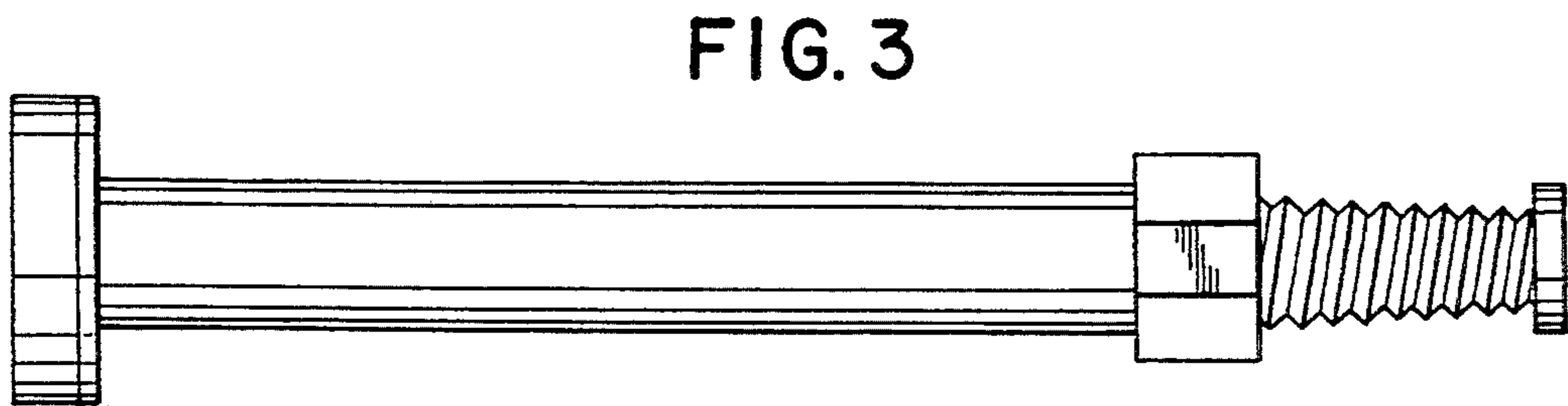
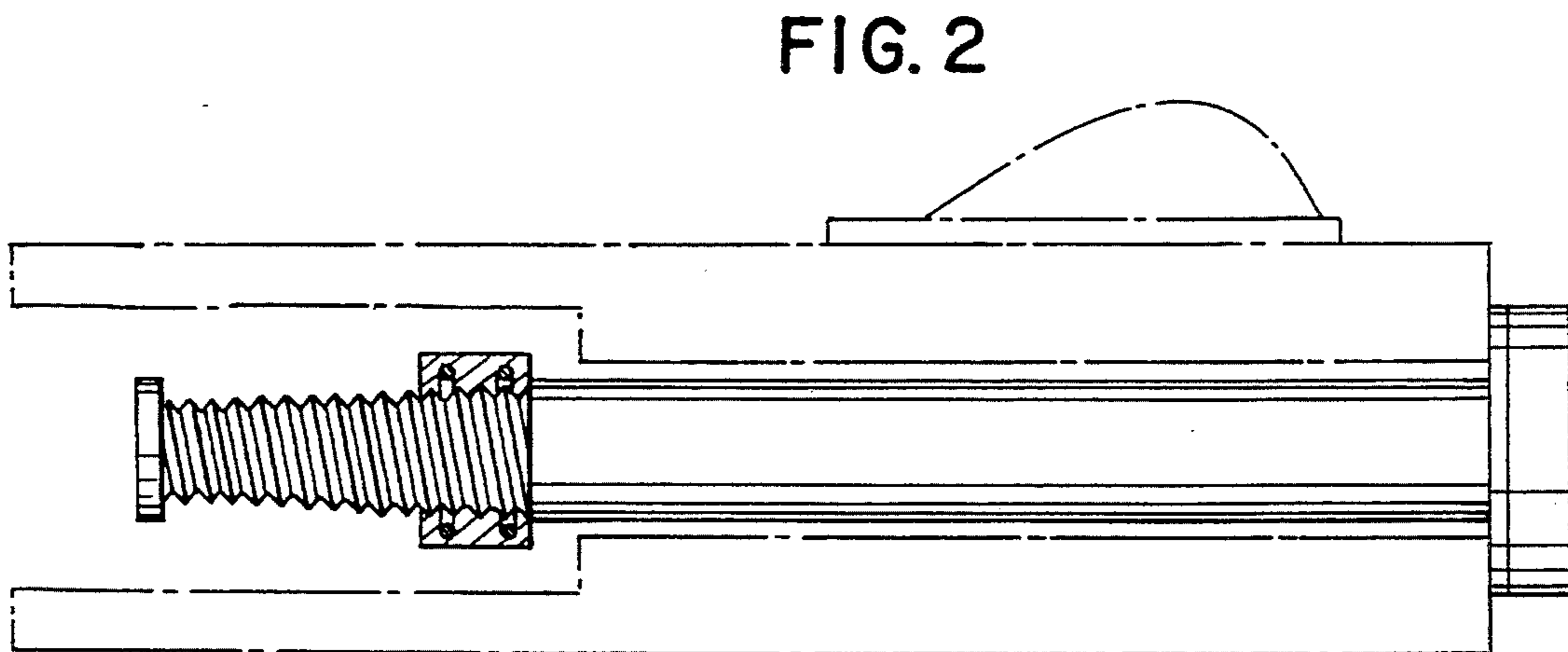
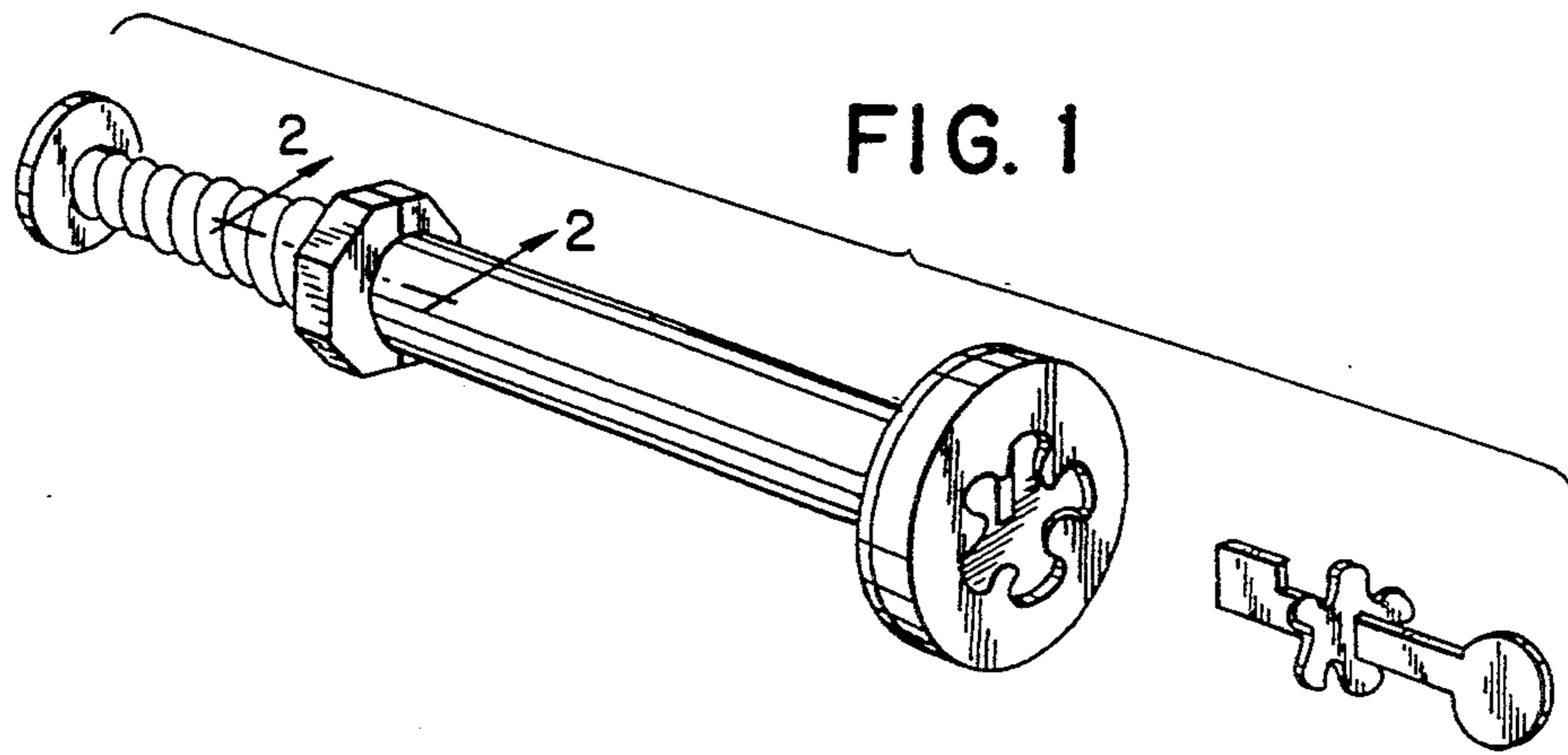


FIG. 4

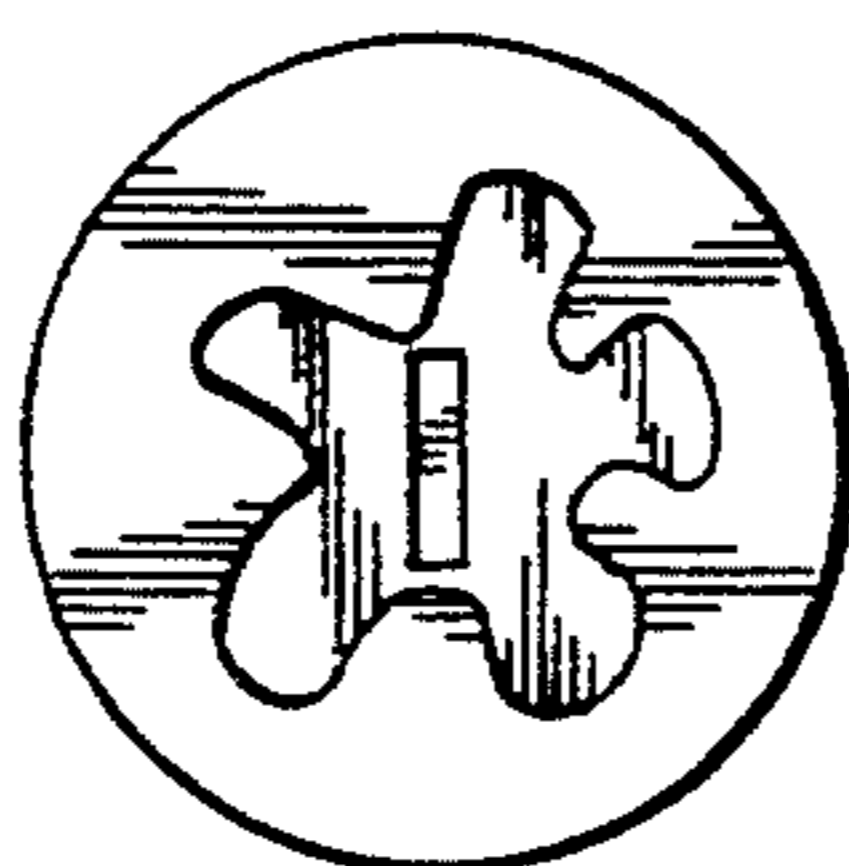


FIG. 5

