



US00D361812S

United States Patent [19]

[11] Patent Number: **Des. 361,812**

Rey

[45] Date of Patent: **** Aug. 29, 1995**

[54] **GOLF CLUB HEAD**

4,714,252 12/1987 Roraback 273/167 A X
5,286,027 2/1994 Koumariounous 273/167 A

[75] Inventor: **Robert C. Rey**, Huntington Beach, Calif.

Primary Examiner—Theodore M. Shooman
Assistant Examiner—Mitchell I. Siegel
Attorney, Agent, or Firm—Edward A. Sokolski

[73] Assignee: **Pacific Golf USA**, Westminster, Calif.

[57] **CLAIM**

[**] Term: **14 Years**

The ornamental design for a golf club head, as shown and described.

[21] Appl. No.: **22,328**

DESCRIPTION

[22] Filed: **May 3, 1994**

[52] U.S. Cl. **D21/217**

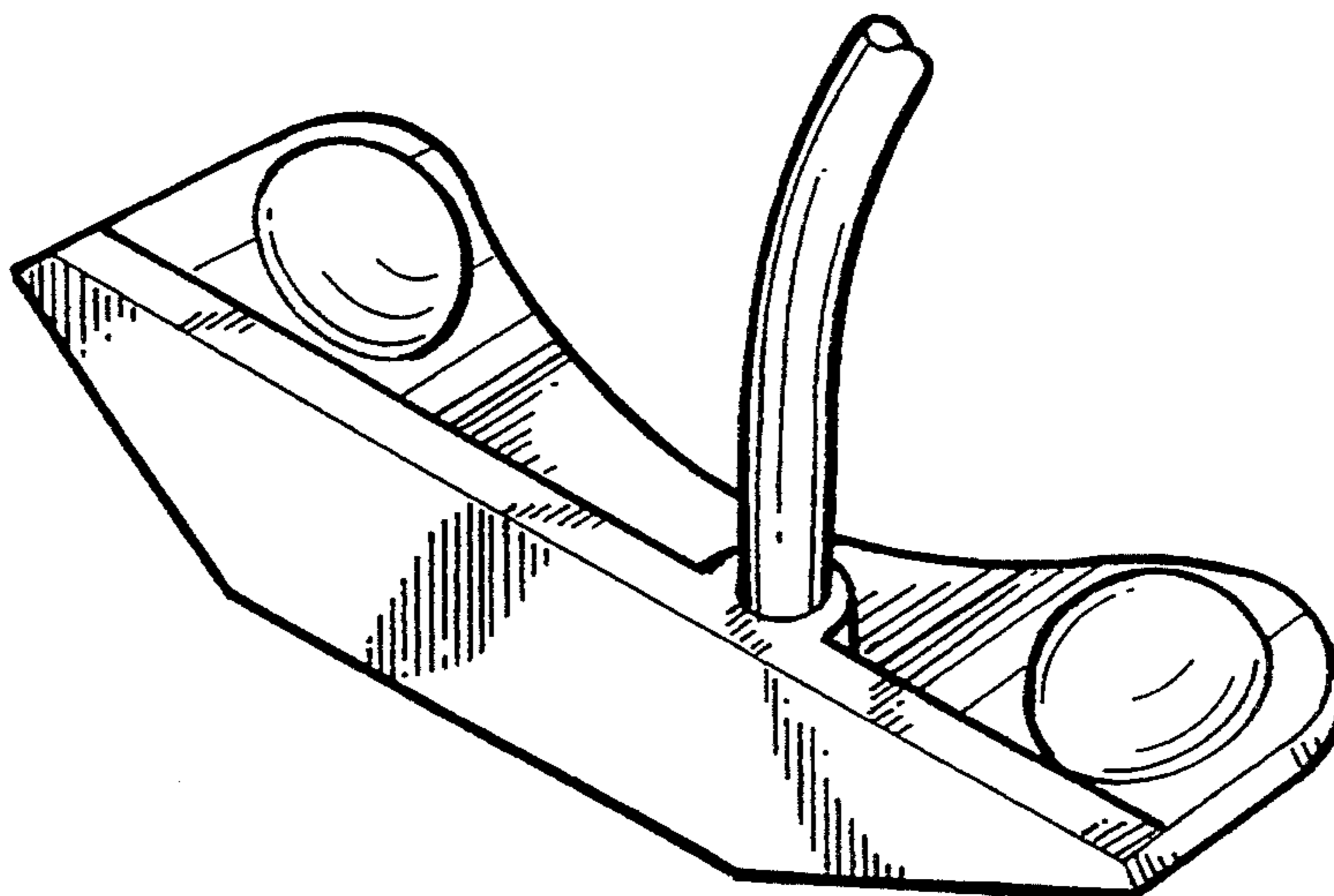
[58] Field of Search **D21/217-219;**
273/167-175

FIG. 1 is a front elevational view of a golf club head showing my new design;
FIG. 2 is a rear elevational view thereof;
FIG. 3 is a top plan view thereof;
FIG. 4 is a bottom plan view thereof;
FIG. 5 is a left side elevational view thereof;
FIG. 6 is a right side elevational view thereof; and,
FIG. 7 is a top left hand perspective view thereof.

[56] **References Cited**

U.S. PATENT DOCUMENTS

D. 295,205 4/1988 Perkins D21/219



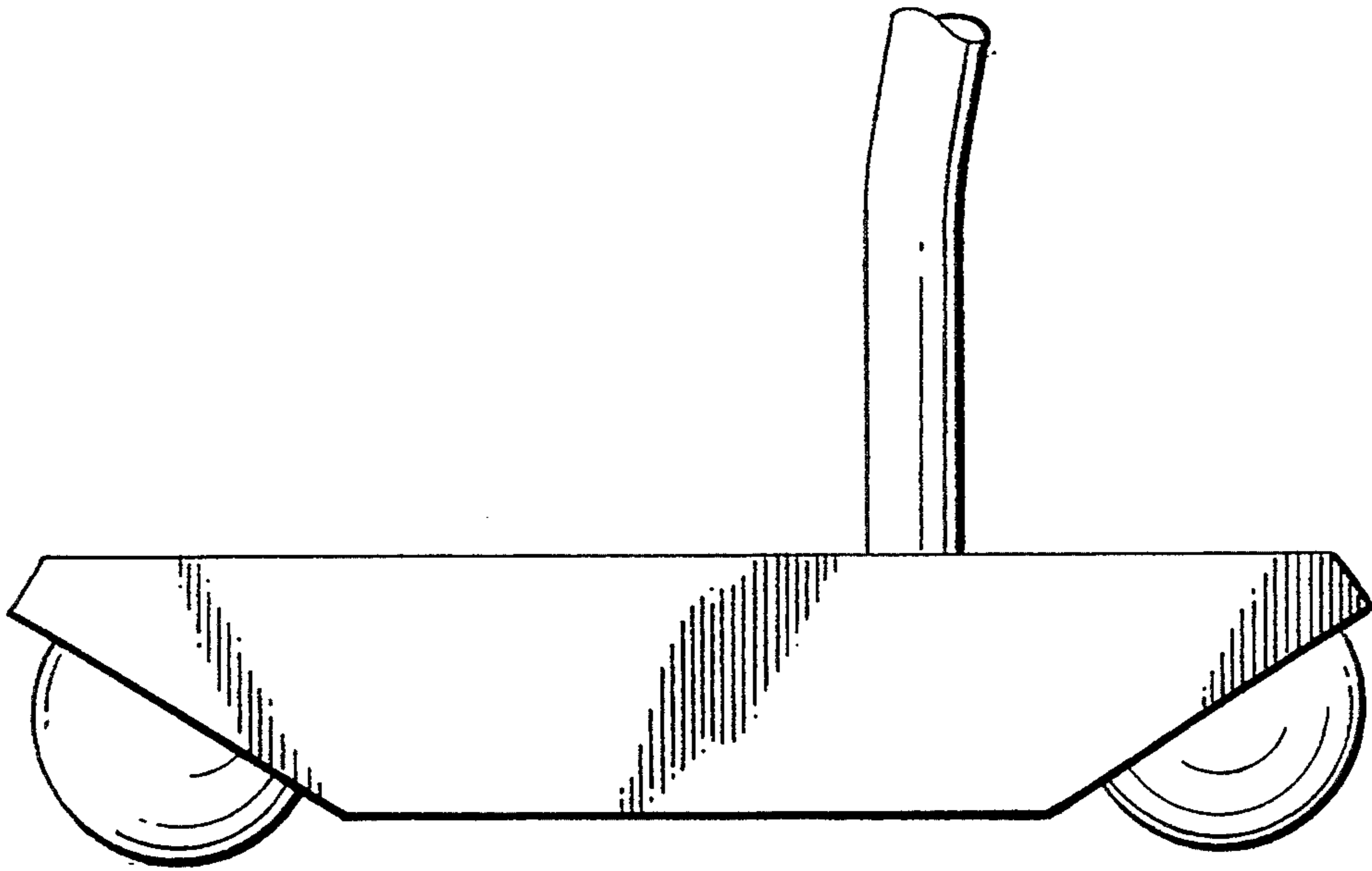


FIG. 1

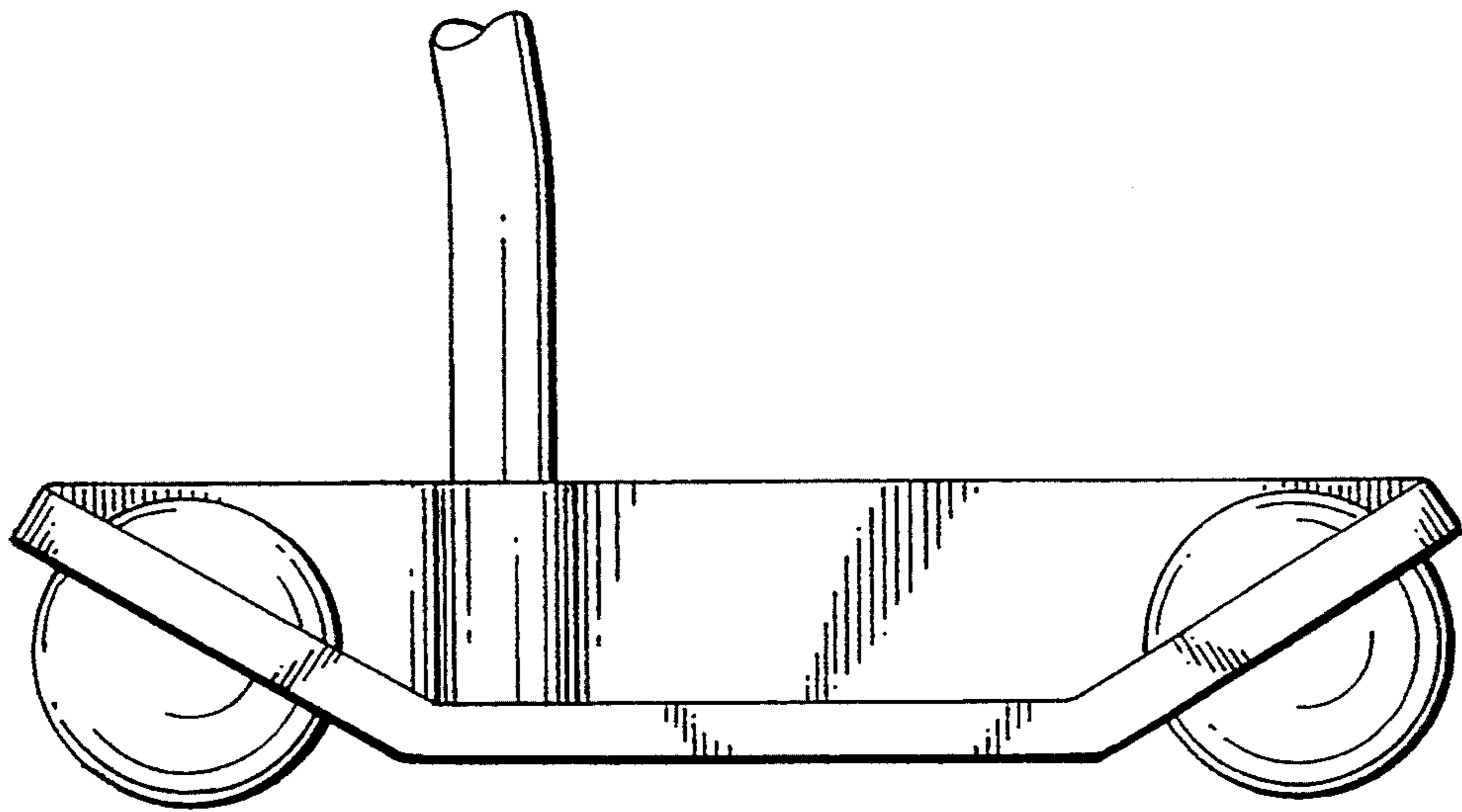


FIG. 2

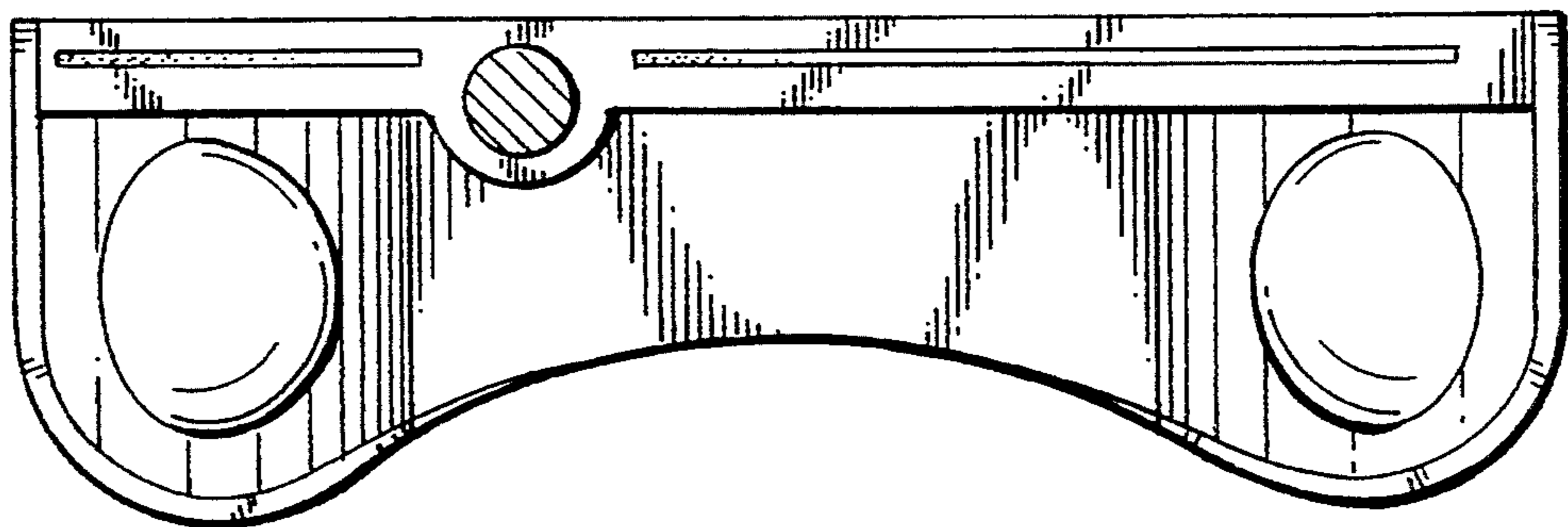


FIG. 3

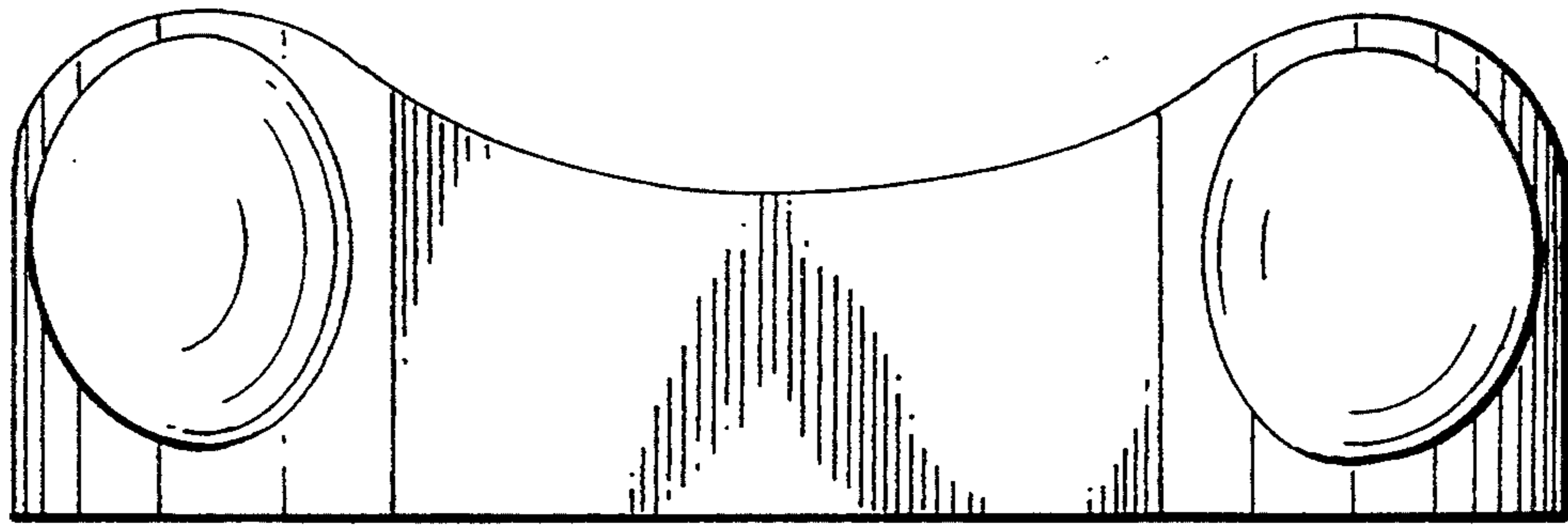


FIG. 4

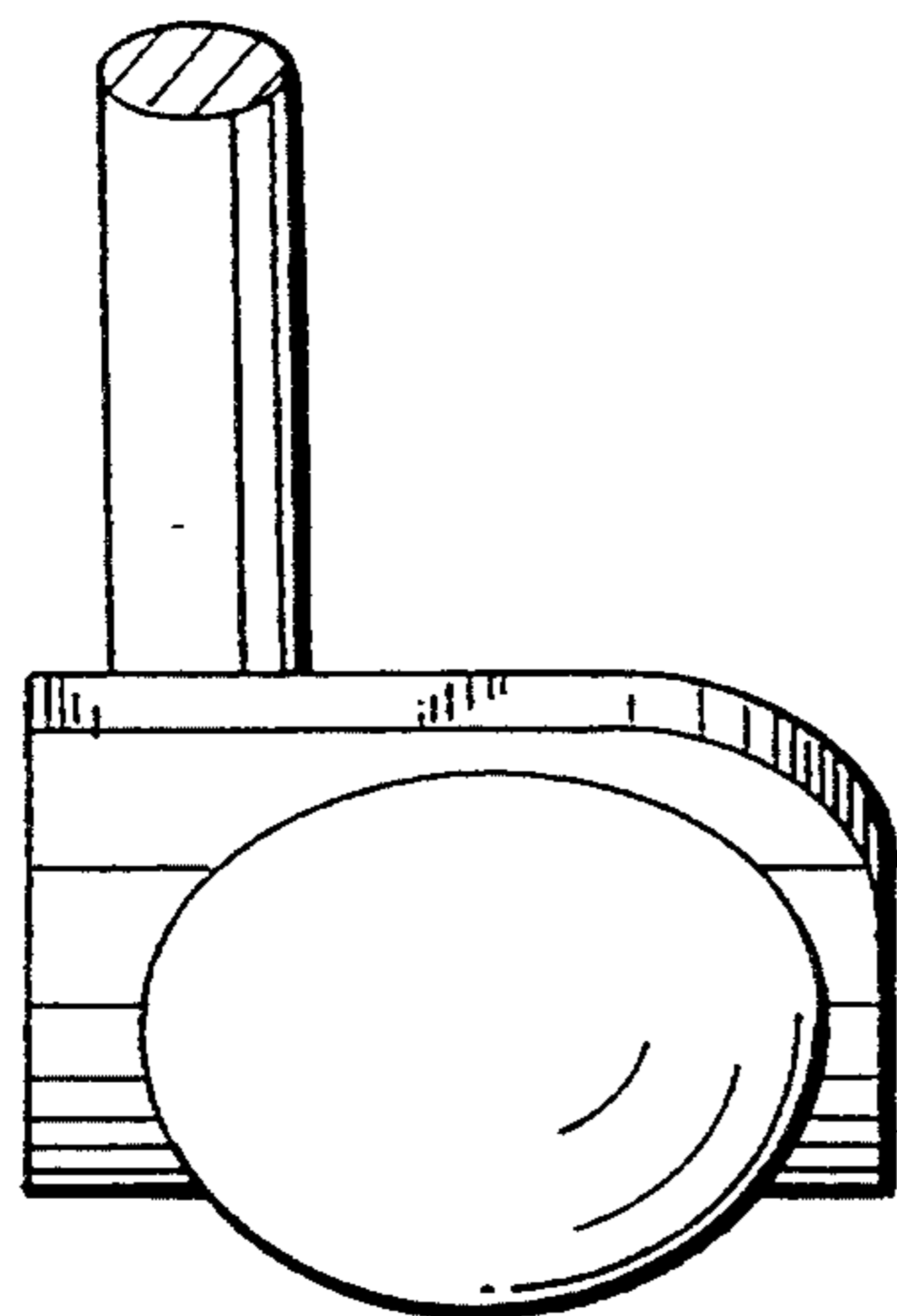


FIG. 5

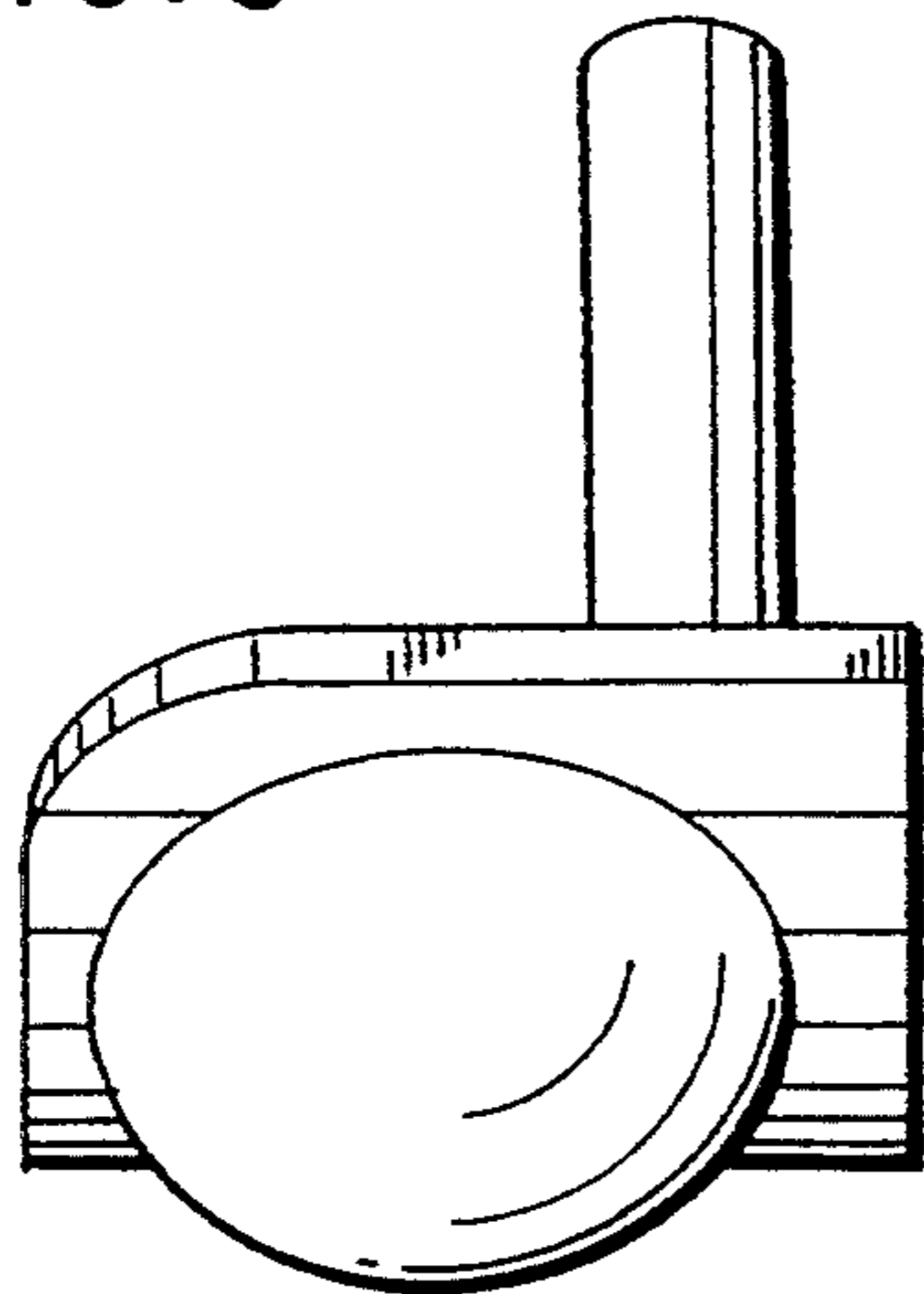


FIG. 6

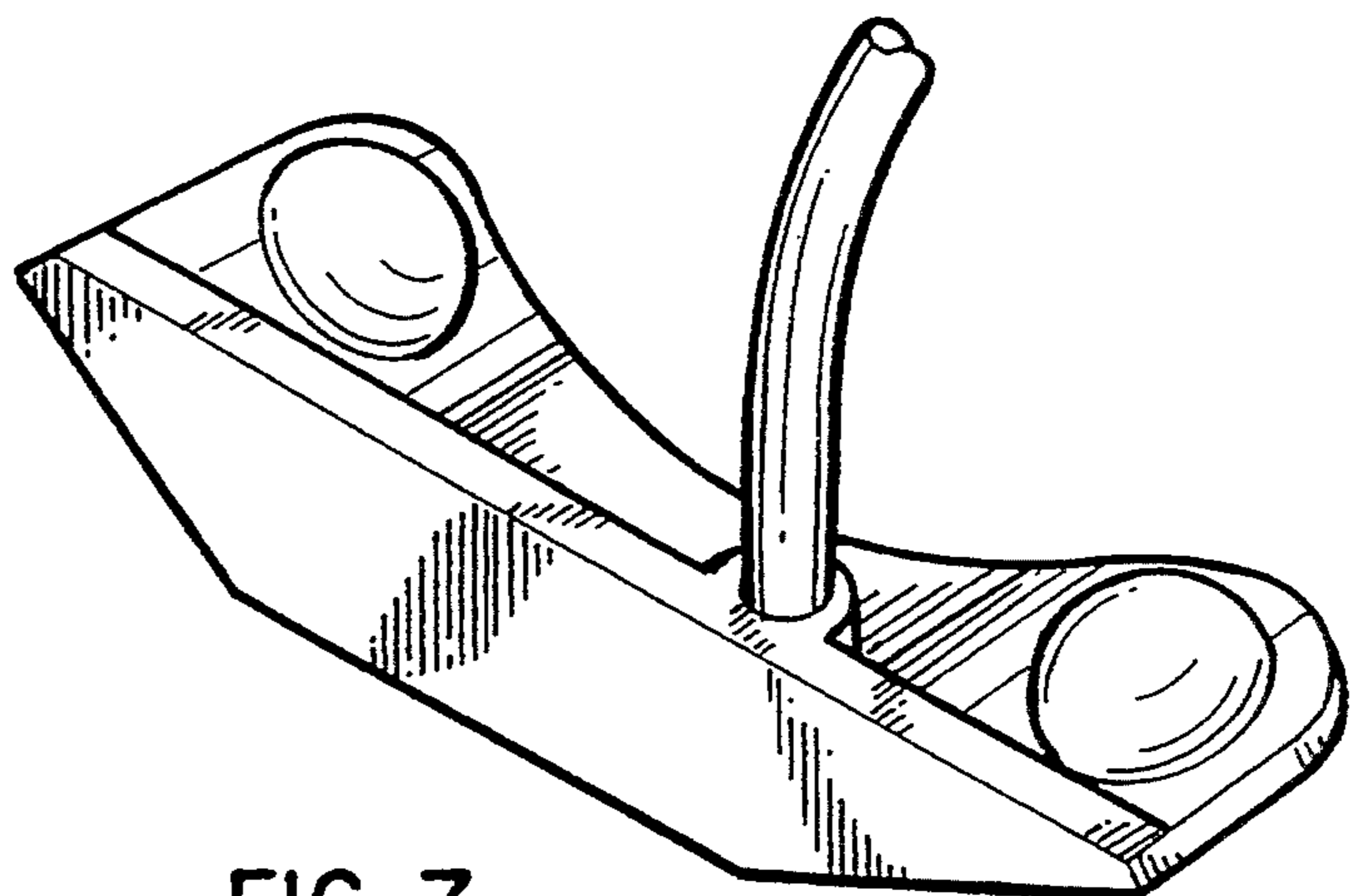


FIG. 7