



US00D361807S

United States Patent [19]
Bartlett

[11] **Patent Number: Des. 361,807**

[45] **Date of Patent: ** Aug. 29, 1995**

[54] **TREADMILL**

[75] **Inventor: Randall Bartlett, Opelika, Ala.**

[73] **Assignee: Diversified Products Corporation, Opelika, Ala.**

[**] **Term: 14 Years**

[21] **Appl. No.: 18,079**

[22] **Filed: Jan. 28, 1994**

[52] **U.S. Cl. D21/192**

[58] **Field of Search D21/191, 192, 193, 194, D21/195; 482/54, 51**

[56] **References Cited**

U.S. PATENT DOCUMENTS

D. 313,826	1/1991	Birrell	D21/192
D. 315,765	3/1991	Meason et al.	D21/192
D. 317,960	7/1991	Stearns et al.	D21/192
D. 321,734	11/1991	Dunham et al.	D21/192

OTHER PUBLICATIONS

Service Merchandise Catalog, 1992, p. 499, Weslo Stair climber.

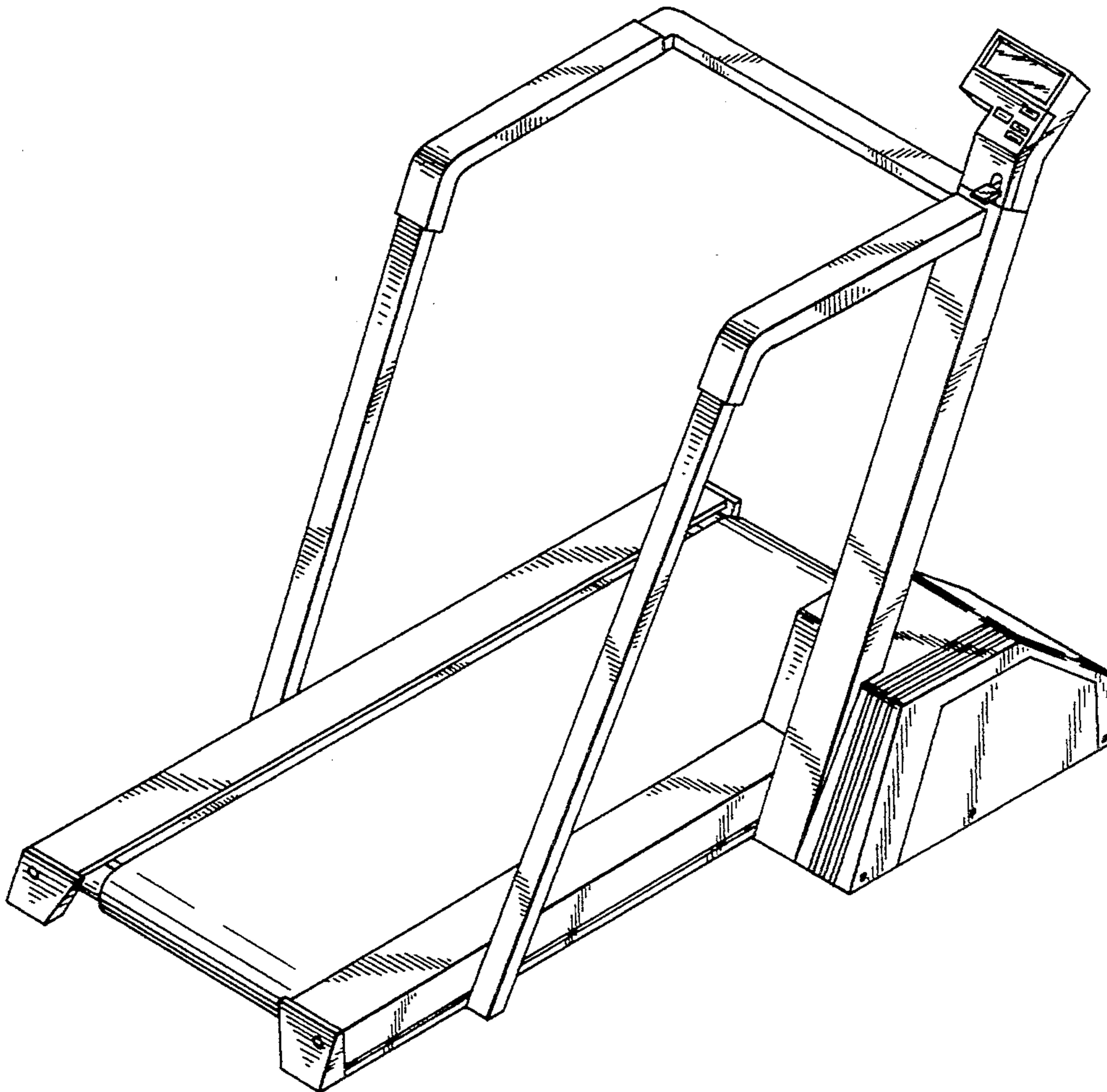
Primary Examiner—Theodore M. Shooman
Assistant Examiner—Philip Hyder
Attorney, Agent, or Firm—Banner & Allegretti, Ltd.

[57] **CLAIM**

The ornamental design for an exercise treadmill, as shown and described.

DESCRIPTION

FIG. 1 is an elevational view of one side of an exercise treadmill showing my new design;
FIG. 2 is an elevational view of the other side of the exercise treadmill as shown in FIG. 1;
FIG. 3 is a front elevational view of the exercise treadmill shown in FIG. 1;
FIG. 4 is a rear elevational view of the exercise treadmill shown in FIG. 1;
FIG. 5 is a top plan view of the exercise treadmill shown in FIG. 1;
FIG. 6 is a bottom plan view thereof; and,
FIG. 7 is a perspective view thereof.



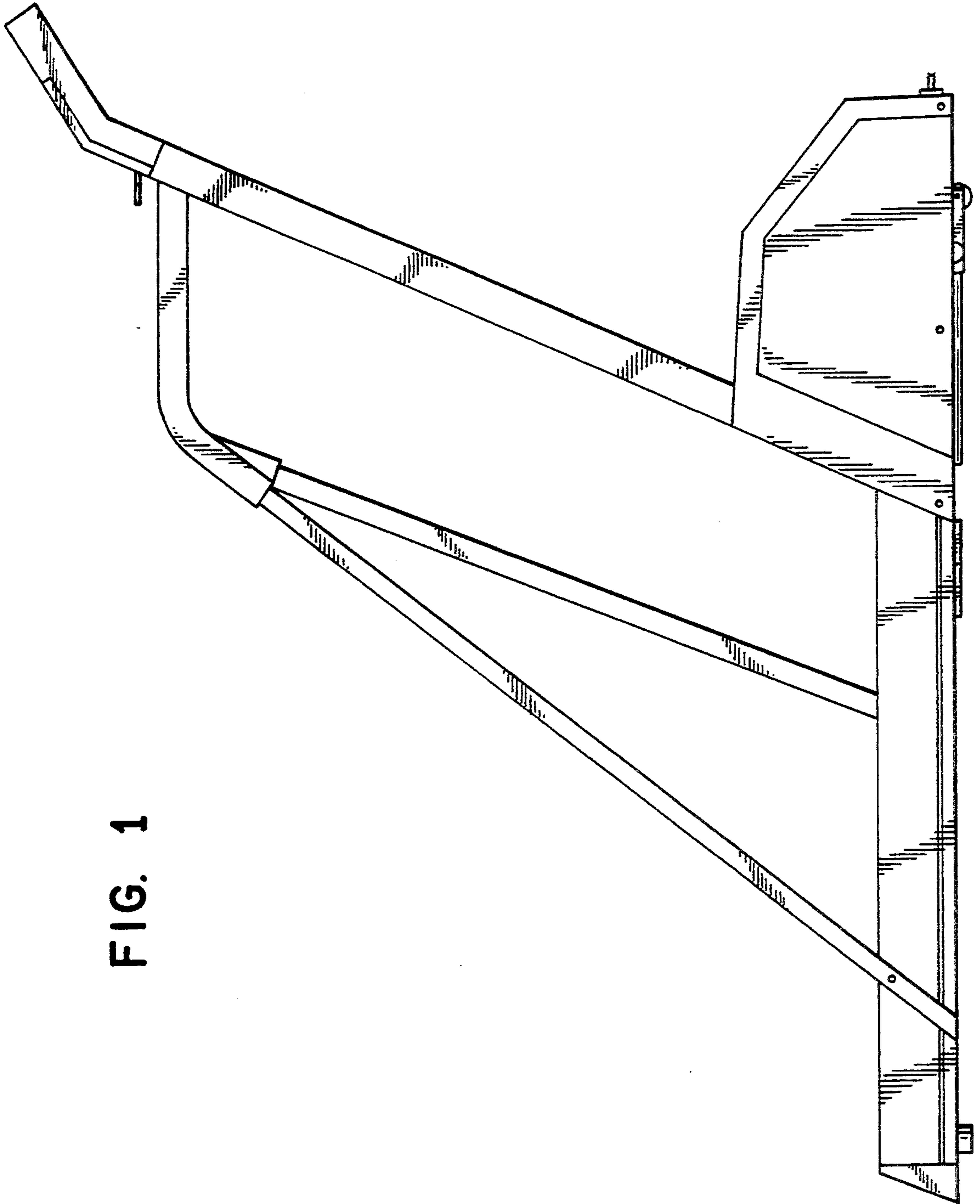


FIG. 1

FIG. 2

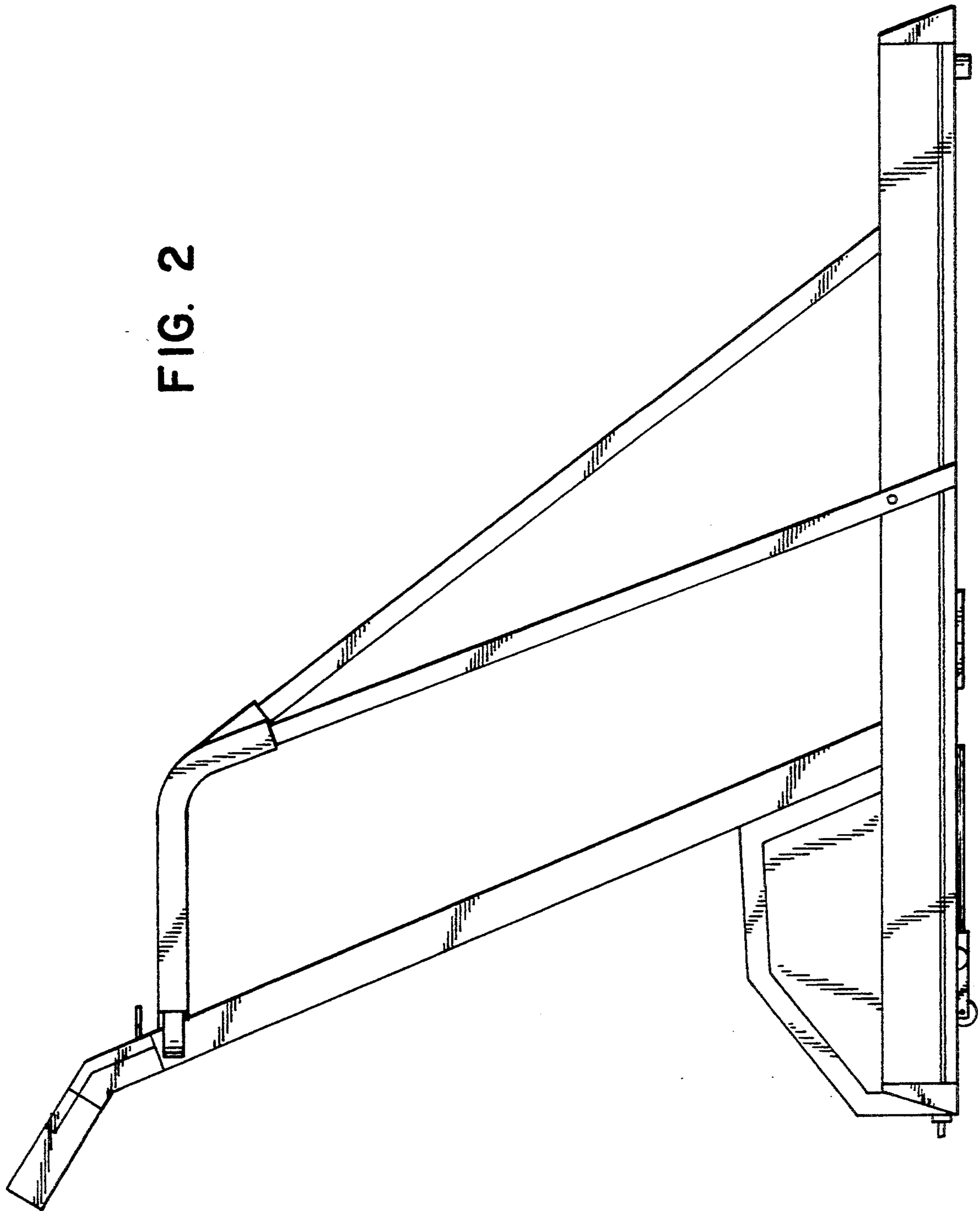


FIG. 4

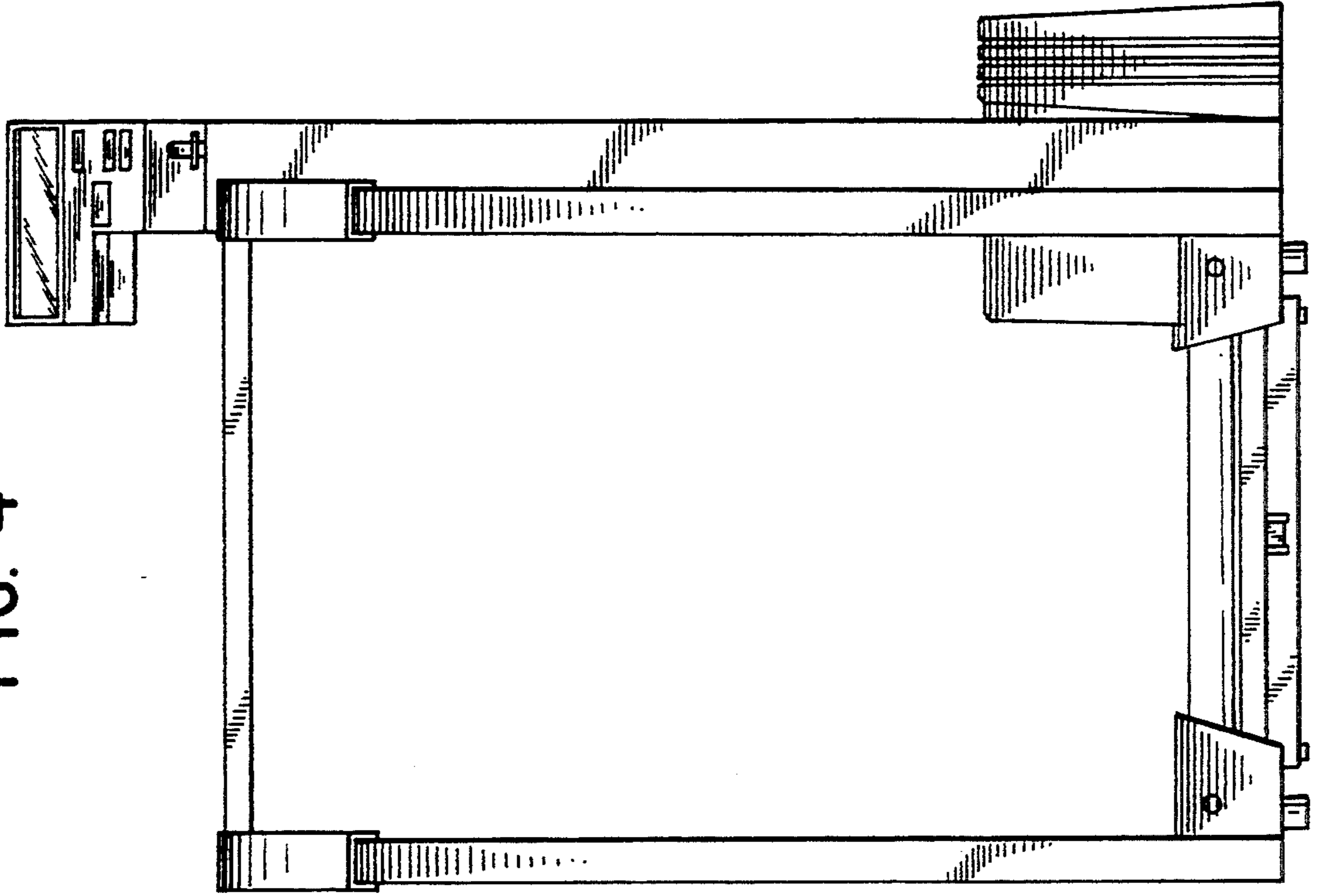


FIG. 3

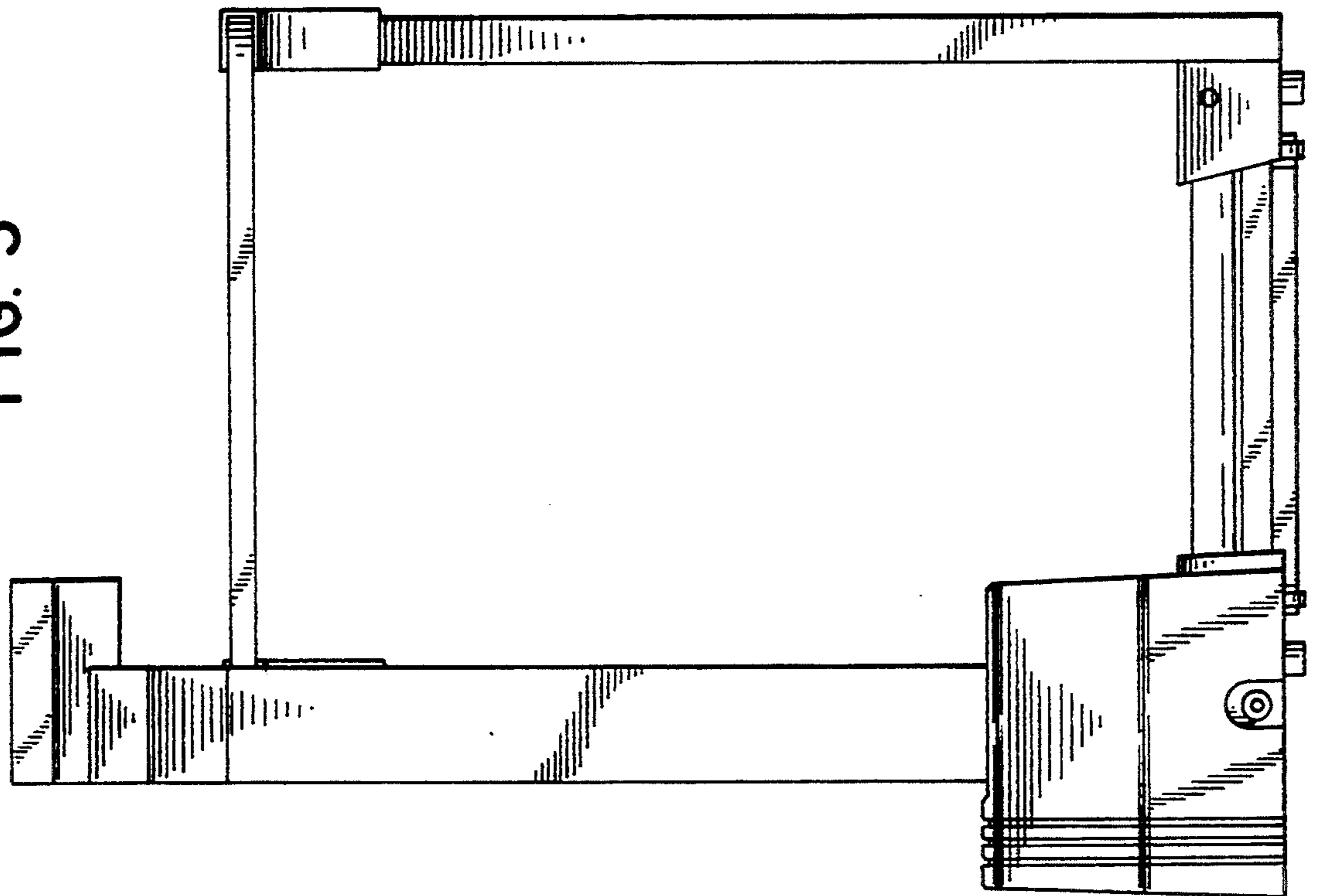


FIG. 5

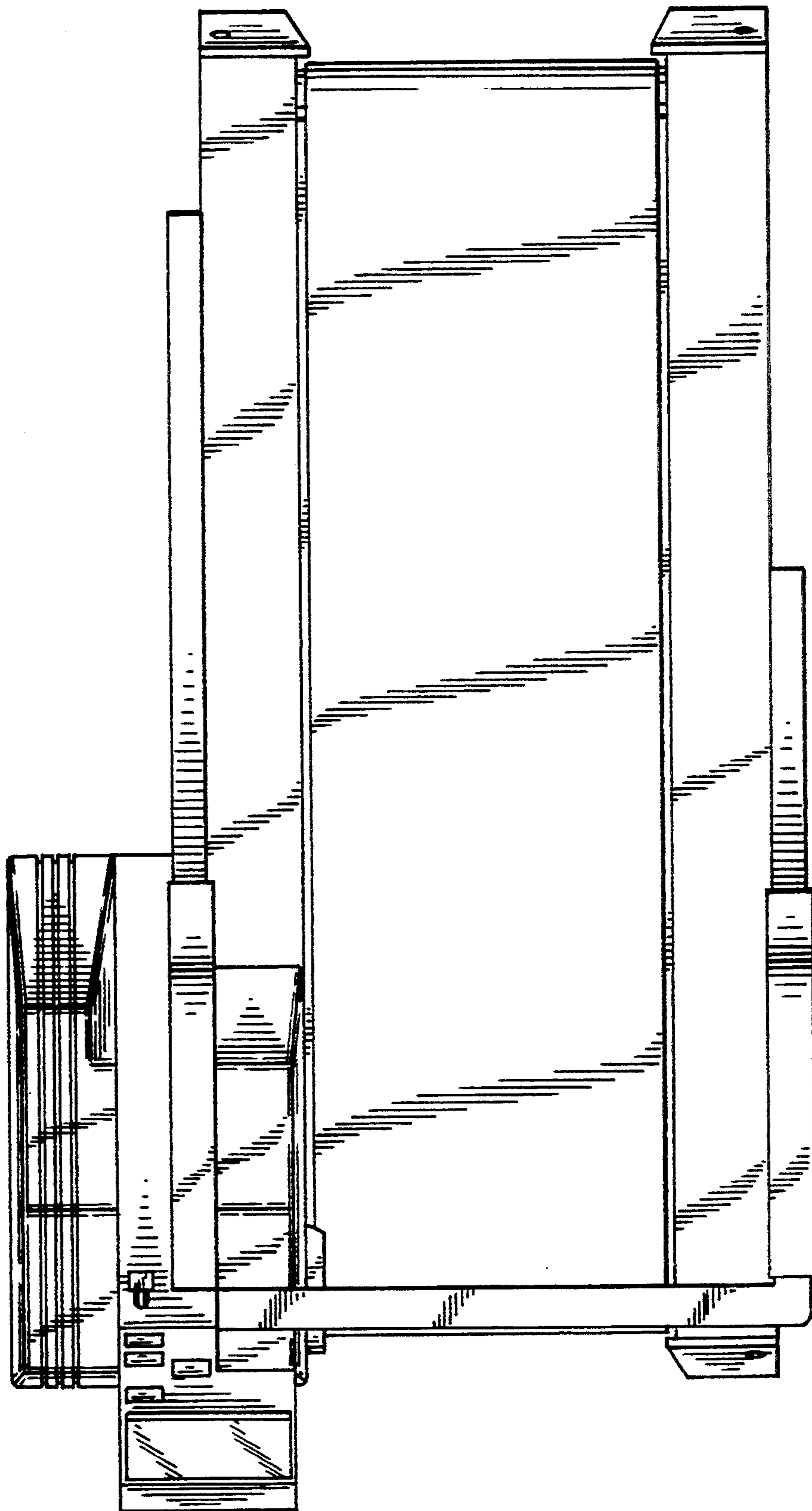


FIG. 6

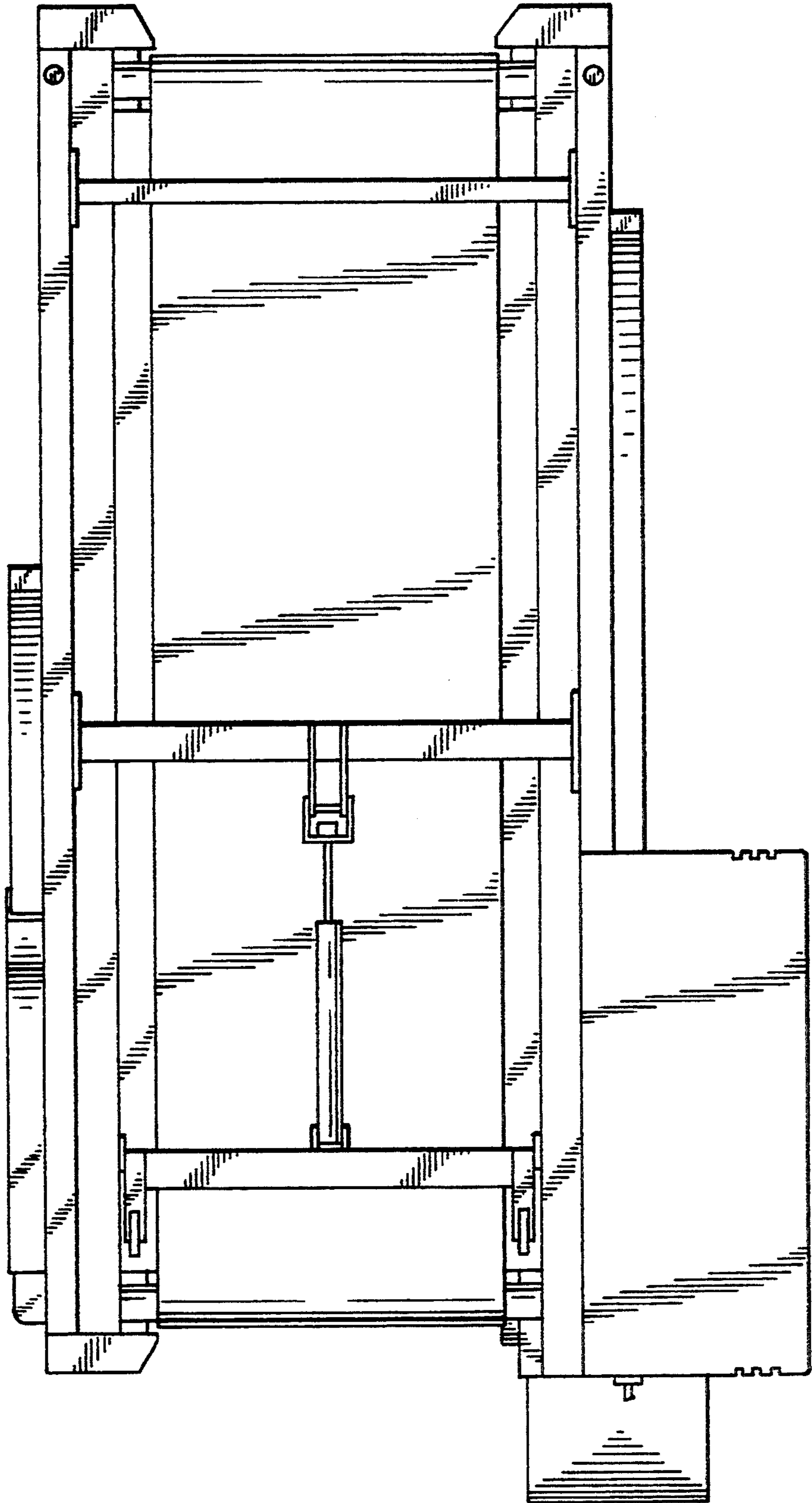


FIG. 7

