



US00D361806S

# United States Patent [19] Bartlett

[11] Patent Number: **Des. 361,806**  
[45] Date of Patent: **\*\* Aug. 29, 1995**

[54] **EXERCISE TREADMILL**

[75] Inventor: **Randall N. Bartlett, Opelika, Ala.**

[73] Assignee: **Diversified Products Corporation, Opelika, Ala.**

[\*\*] Term: **14 Years**

[21] Appl. No.: **18,074**

[22] Filed: **Jan. 28, 1994**

[52] U.S. Cl. .... **D21/192**

[58] Field of Search ..... **D21/191, 192, 193, 194, D21/195; 482/54, 51**

[56] **References Cited**

**U.S. PATENT DOCUMENTS**

D. 316,124	4/1991	Dalebout et al. ....	D21/192
D. 323,198	1/1992	Dalebout et al. ....	D21/192
D. 330,923	11/1992	Furline .....	D21/192
5,141,479	8/1992	Vanjani et al. ....	482/54

**OTHER PUBLICATIONS**

Service Merchandise Catalog, 1992, p. 499, Weslo Treadmills.

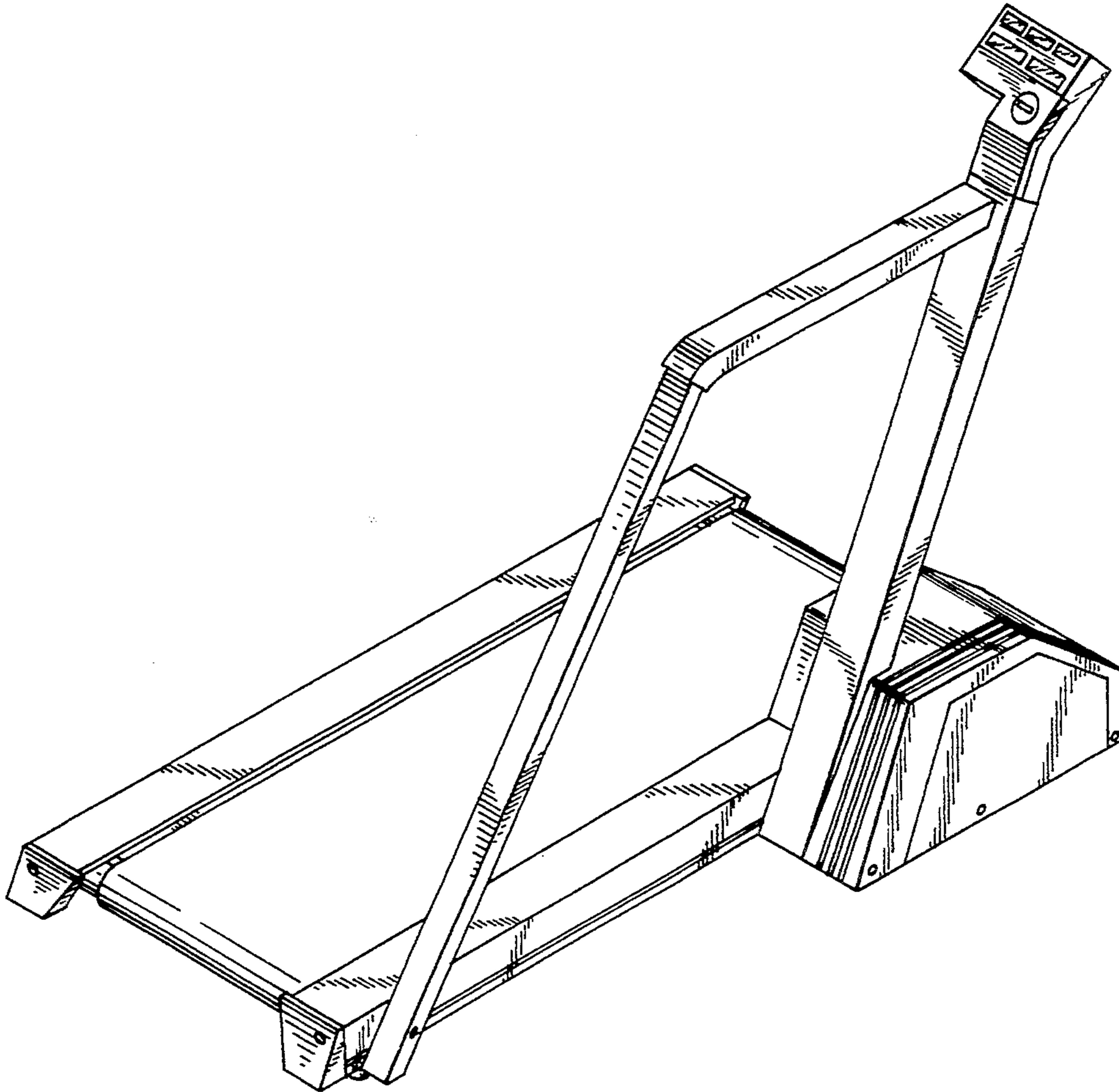
*Primary Examiner*—Theodore M. Shooman  
*Assistant Examiner*—Philip Hyder  
*Attorney, Agent, or Firm*—Banner & Allegretti, Ltd.

[57] **CLAIM**

The ornamental design for an exercise treadmill, as shown and described.

**DESCRIPTION**

FIG. 1 is a side elevational view of an exercise treadmill showing my new design;  
FIG. 2 is an elevational view of the other side of the exercise treadmill as shown in FIG. 1;  
FIG. 3 is a front elevational view of the exercise treadmill, as shown in FIG. 1;  
FIG. 4 is a rear elevational view of the exercise treadmill as shown in FIG. 1;  
FIG. 5 is a top plan view of the exercise treadmill as shown in FIG. 1;  
FIG. 6 is a bottom plan view thereof; and,  
FIG. 7 is a perspective view thereof.



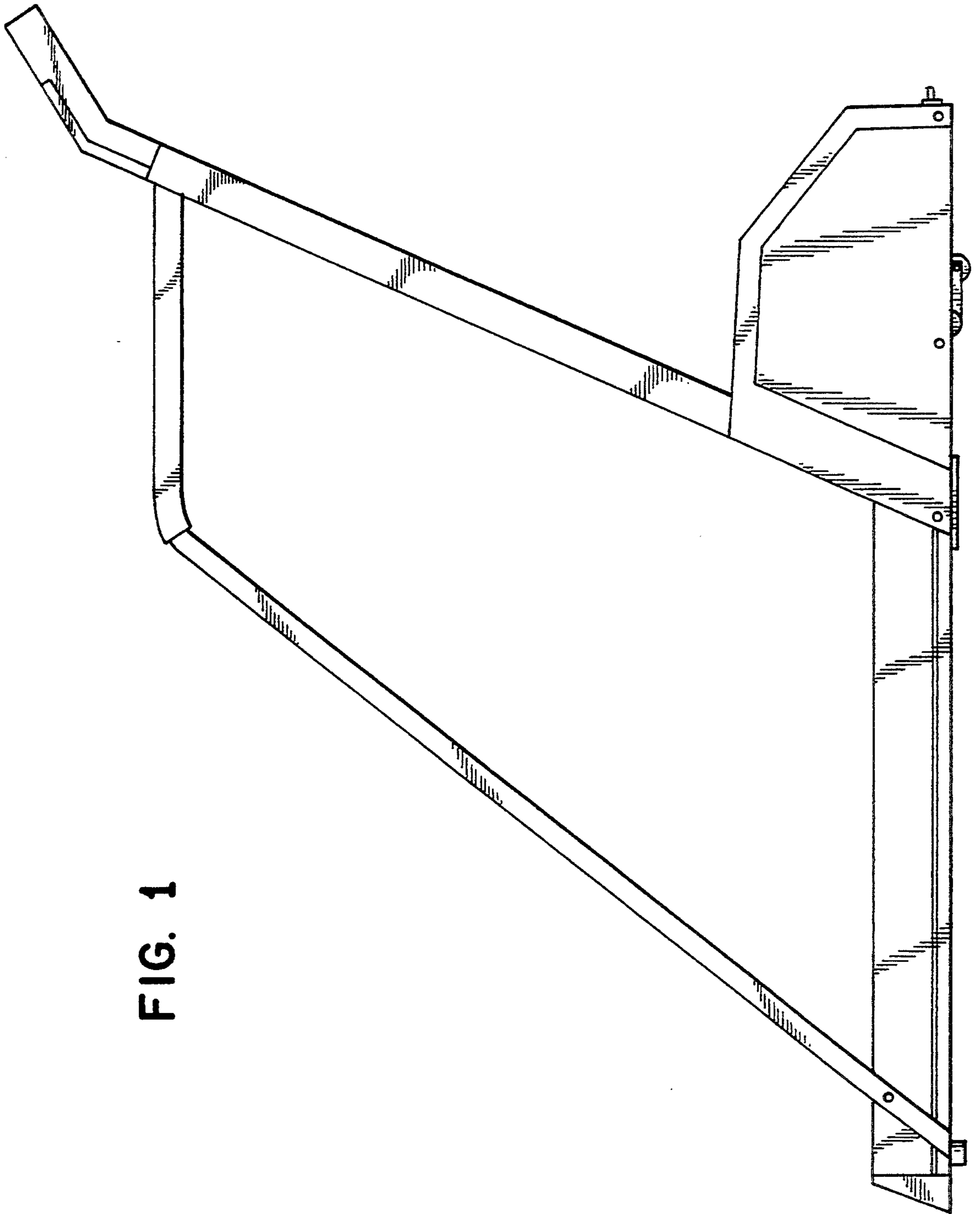
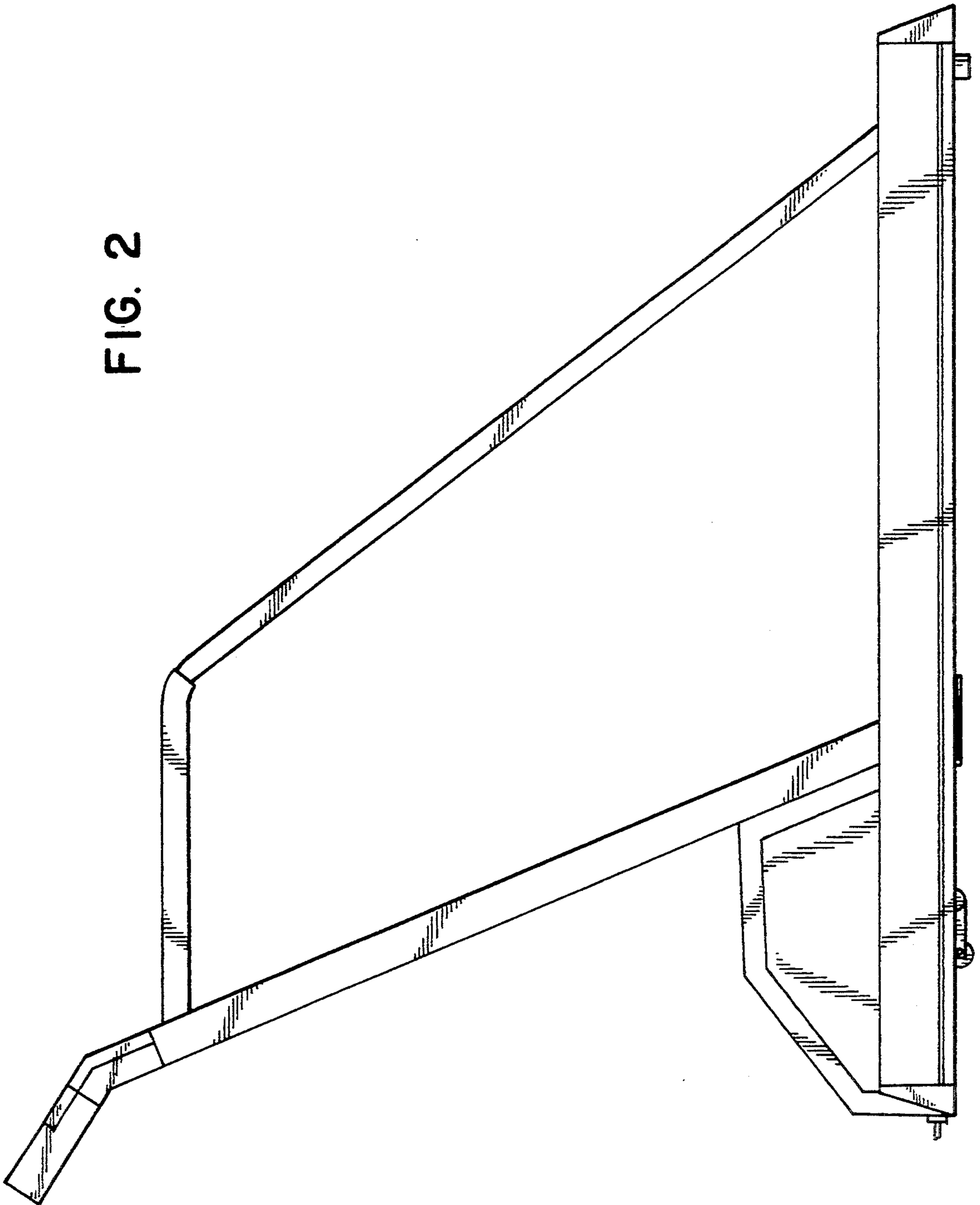


FIG. 1

FIG. 2



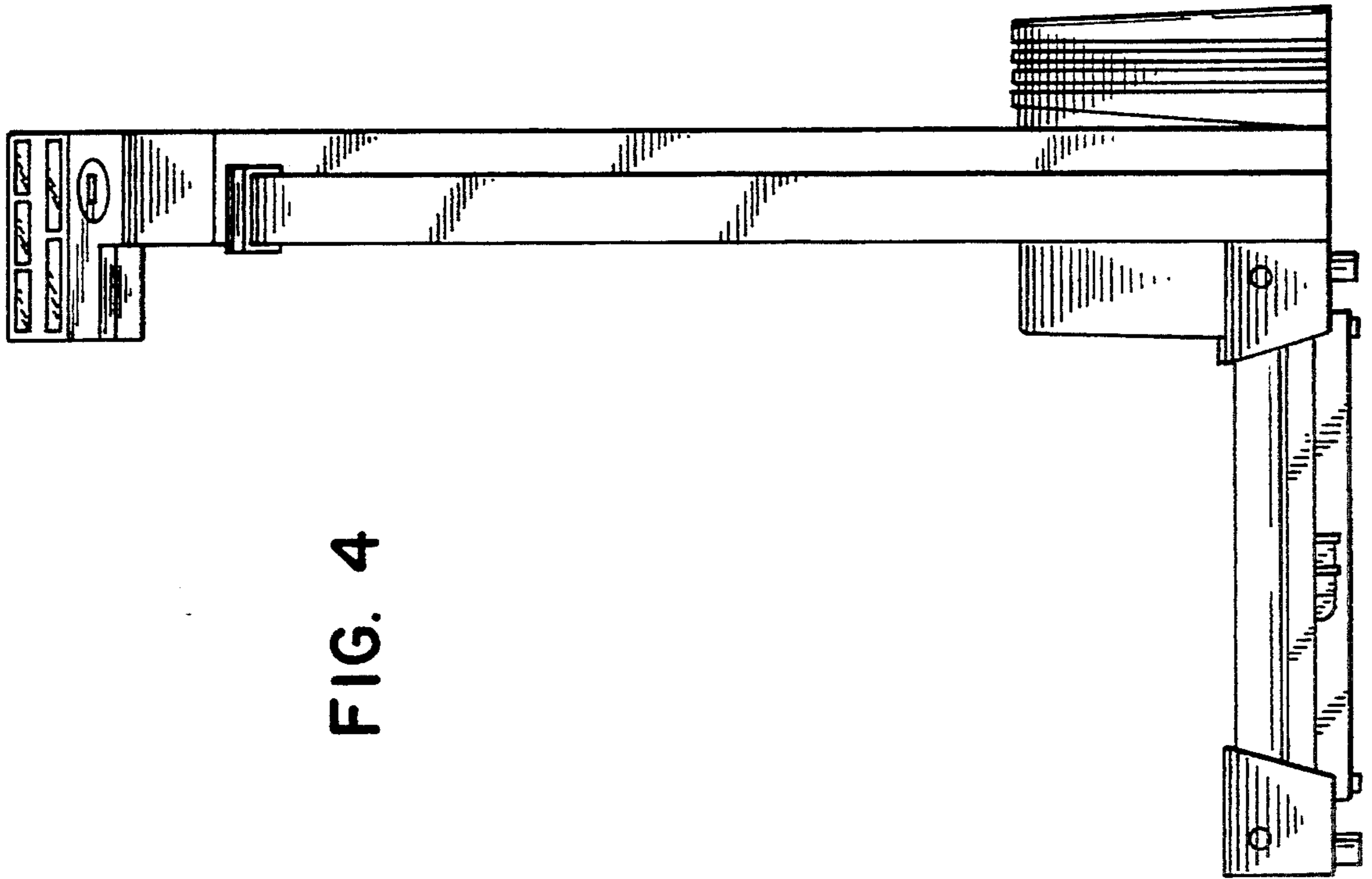


FIG. 4

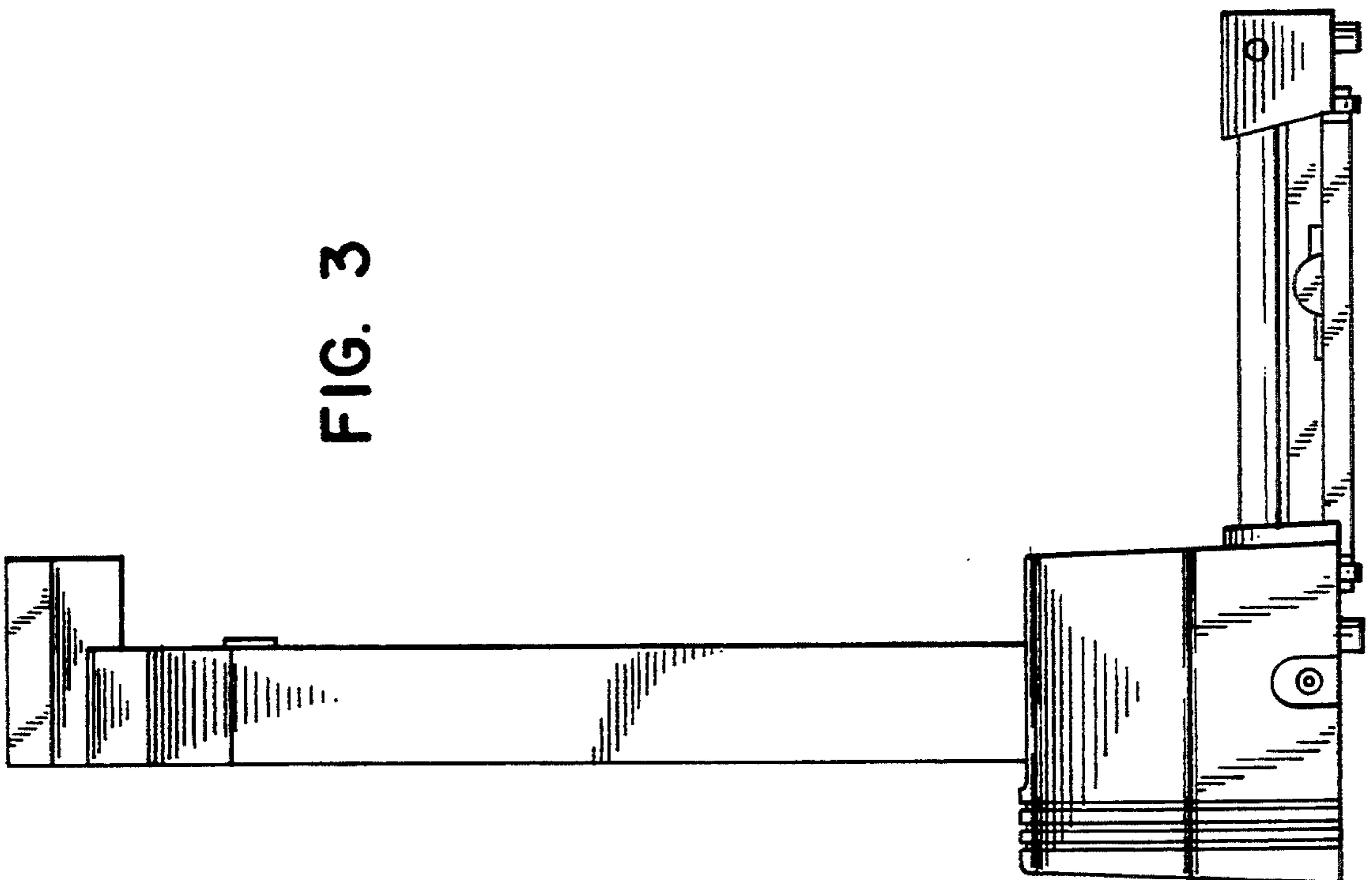


FIG. 3



FIG. 5

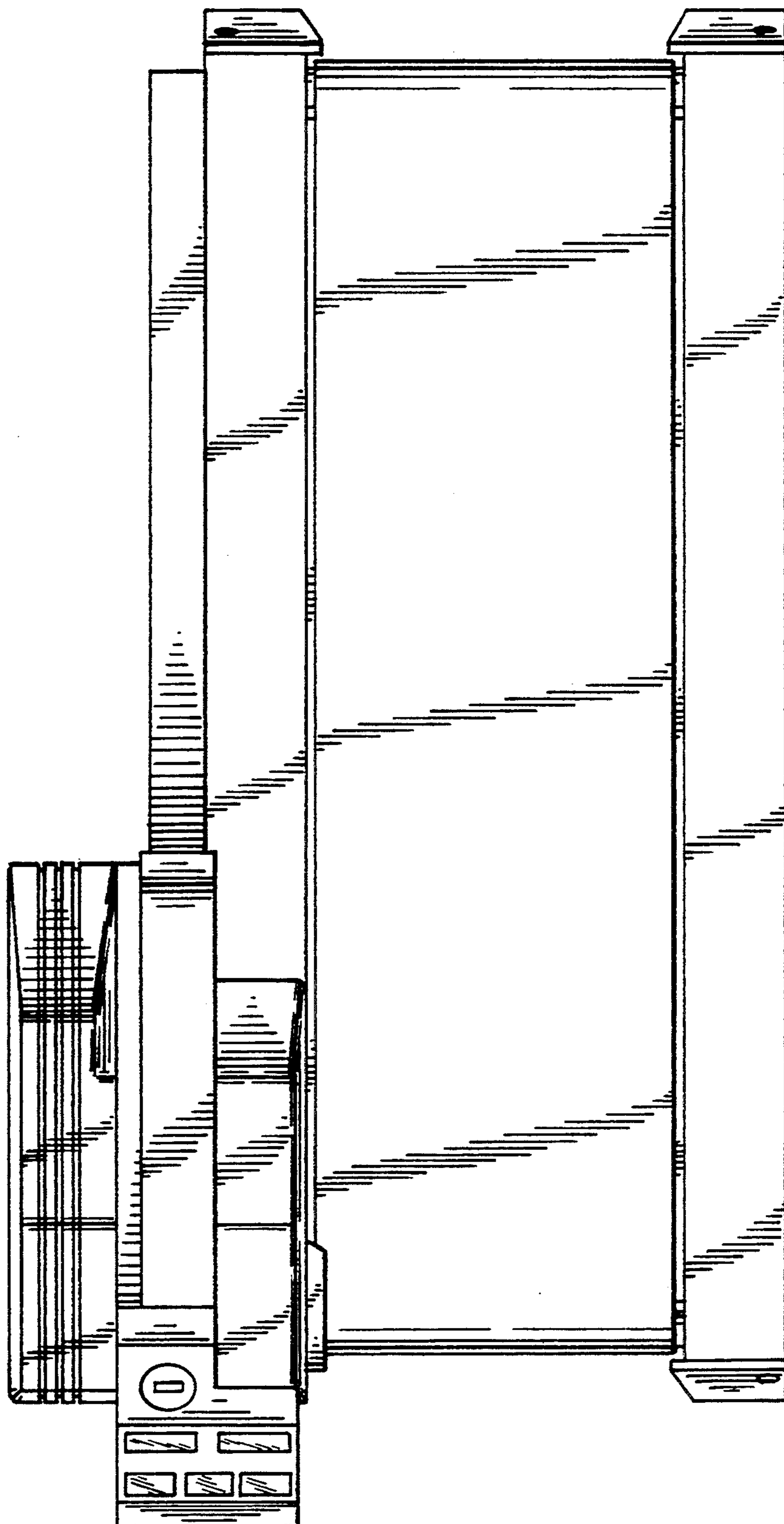


FIG. 6

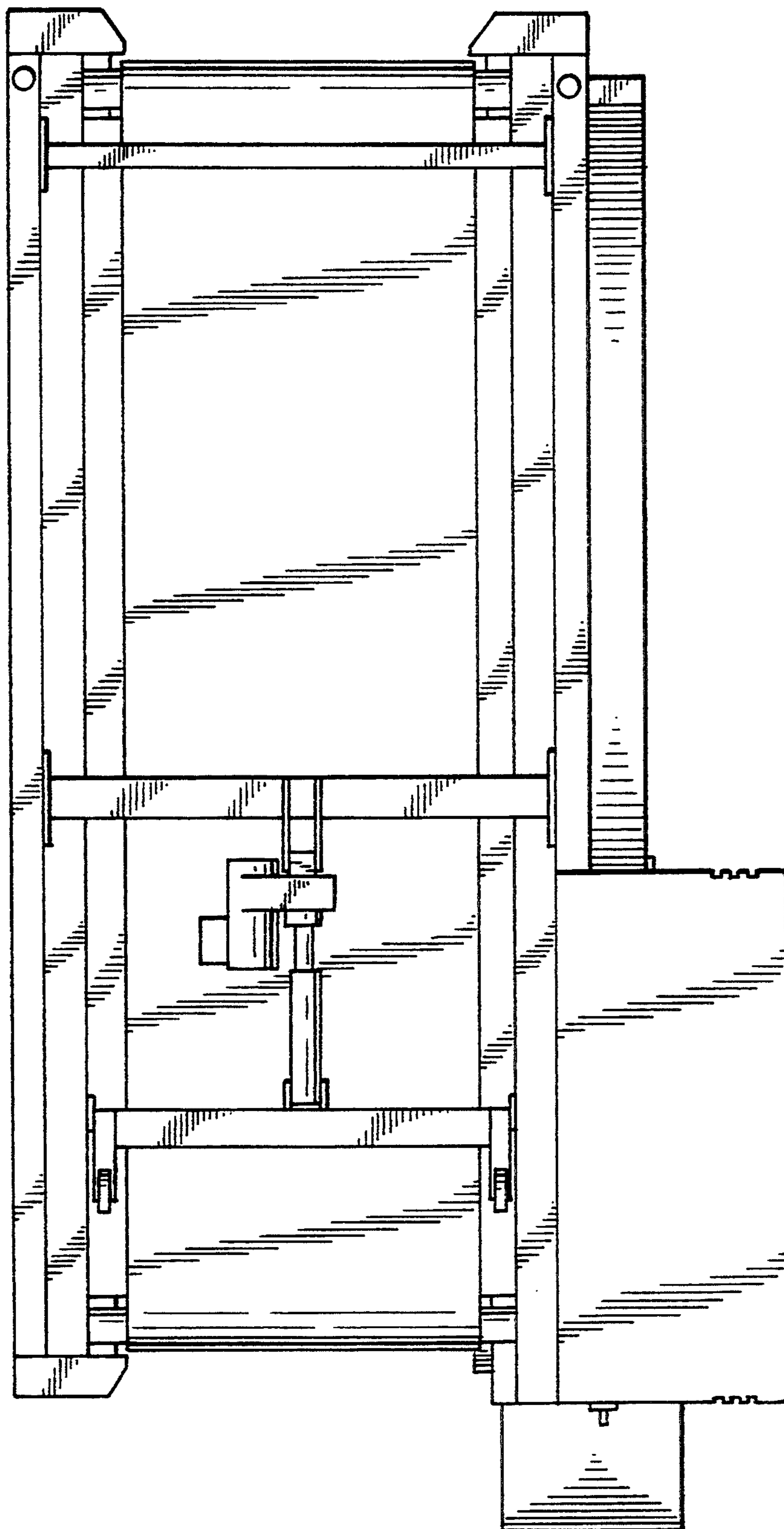


FIG. 7

