



US00D361803S

United States Patent [19]

[11] Patent Number: **Des. 361,803**

Houry et al.

[45] Date of Patent: **** Aug. 29, 1995**

[54] UPRIGHT PORTION OF A TOY VACUUM CLEANER WITH APERTURE FOR STORING A TOY HAND VACUUM

[75] Inventors: **Robert L. Houry**, Solon; **John R. Nottingham**, Chagrin Falls; **John W. Spirk, Jr.**, Moreland Hills, all of Ohio

[73] Assignee: **The Little Tikes Company**, Hudson, Ohio

[**] Term: **14 Years**

[21] Appl. No.: **7,002**

[22] Filed: **Apr. 13, 1993**

[52] U.S. Cl. **D21/122**

[58] Field of Search **D21/120-124;**
D32/22; 446/73, 75, 144, 450, 479, 411, 474,
483

Avenue, East Aurora, N.Y., 14052-1879. Publication date 1991.

P. 275, Vacuum Cleaner; Service Merchandise Co. Inc., P.O. Box 25130, Nashville, Tenn. 37202-5130. Publication date 1990-91.

P. 104, Toy Vacuum Cleaner; The Little Tikes Company, 2180 Barlow Road.; Hudson, Ohio 44236. Publication date 1992.

Primary Examiner—Terry A. Wallace

Assistant Examiner—R. Barkai

Attorney, Agent, or Firm—Richard B. O'Planick; Lisa B. Riedesel

[57] CLAIM

The ornamental design for a upright portion of a toy vacuum cleaner with aperture for storing a toy hand vacuum, as shown and described.

DESCRIPTION

FIG. 1 is a top right front perspective view of an upright portion of a toy vacuum cleaner with aperture for storing a toy hand vacuum showing our new design, the broken lines are for illustrative purposes only and form no part of the claimed design;

FIG. 2 is a right side elevational view thereof; the left side being a mirror image;

FIG. 3 is a front elevational view thereof;

FIG. 4 is a rear elevational view thereof;

FIG. 5 is a top plan view thereof; and,

FIG. 6 is a bottom plan view thereof.

The broken lines in FIGS. 2-6 are for illustrative purposes only and forms no part of the claimed design.

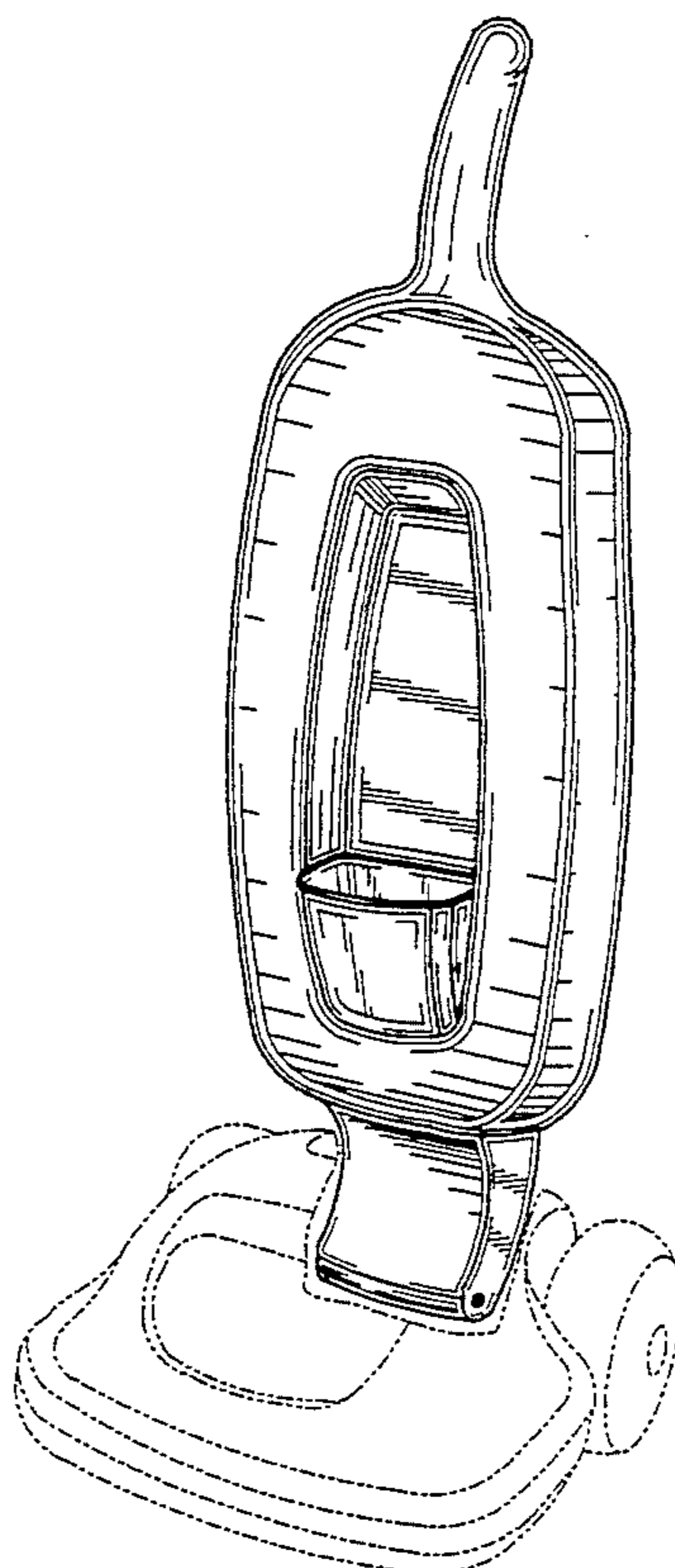
[56] References Cited

U.S. PATENT DOCUMENTS

D. 201,814	8/1965	Rockwell	D21/122
D. 280,000	8/1985	Klawitter	D21/122
D. 295,770	5/1988	Hilton	D21/122
D. 299,175	12/1988	Nimon et al.	D32/22
D. 314,072	1/1991	Shinozaki et al.	D32/22
3,273,194	9/1966	Jepson et al.	D32/22
4,621,390	11/1986	Hampton et al.	D32/22

OTHER PUBLICATIONS

P. 20, Toy Vacuum Cleaner; Fisher Price, 820 Girard



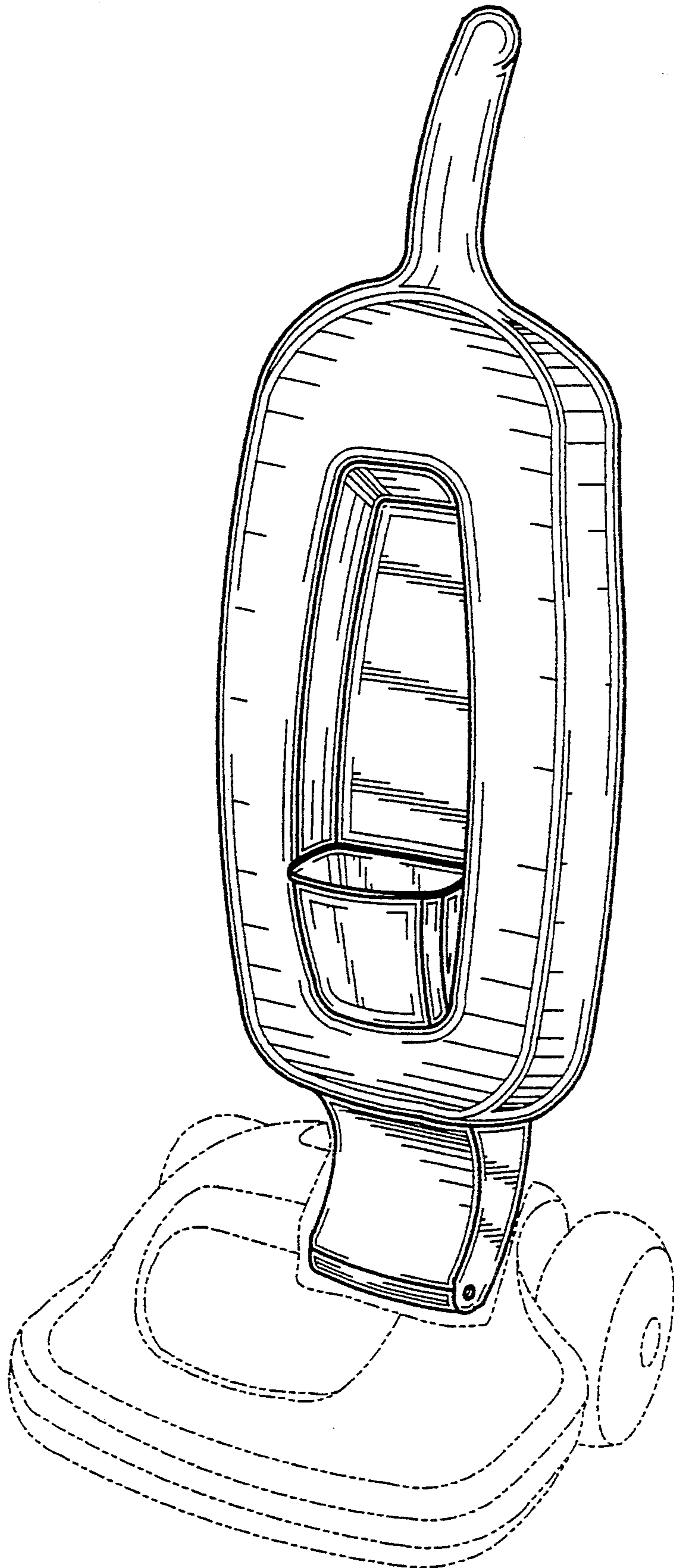


Fig. 1

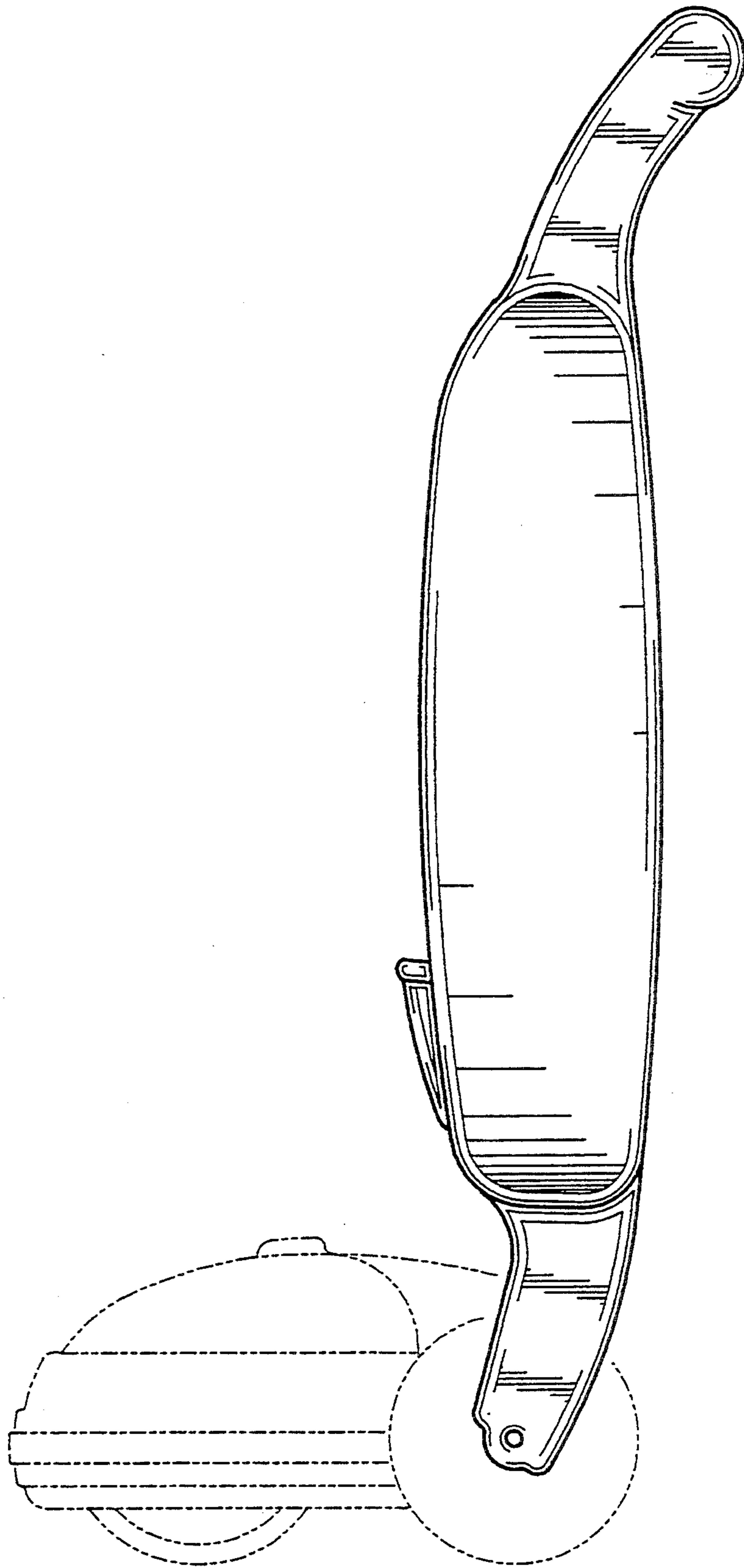


Fig. 2

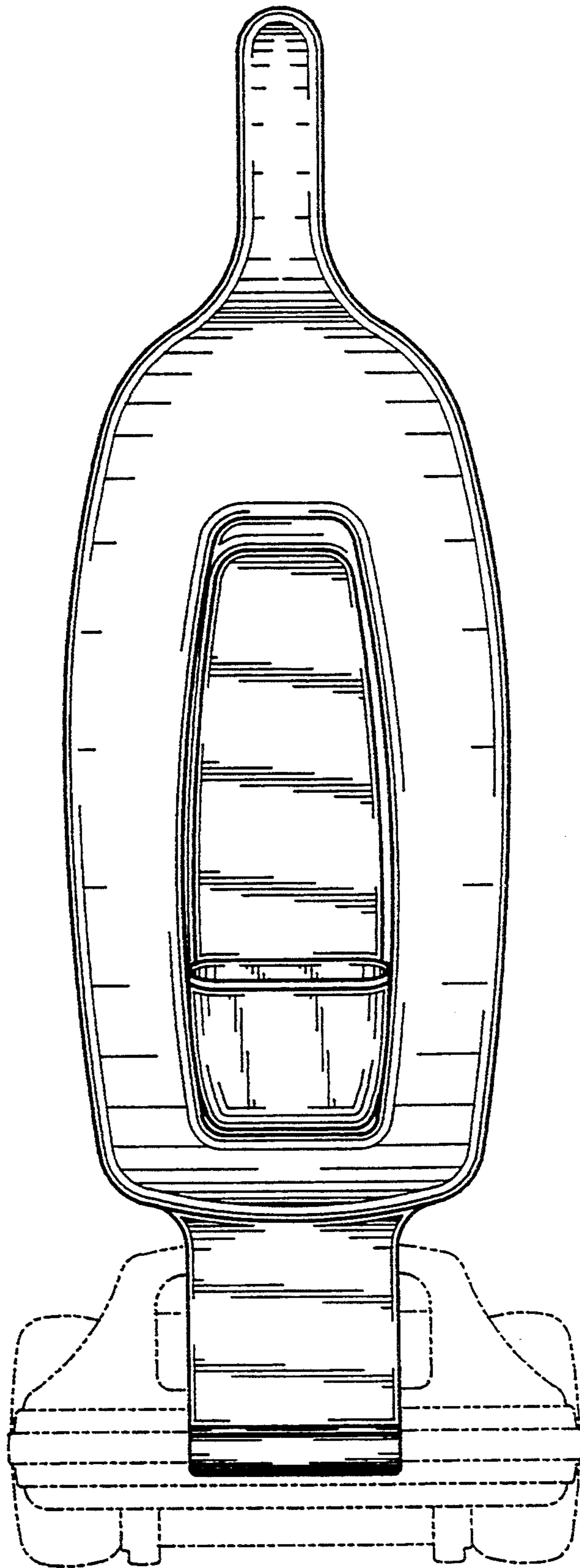


Fig. 3

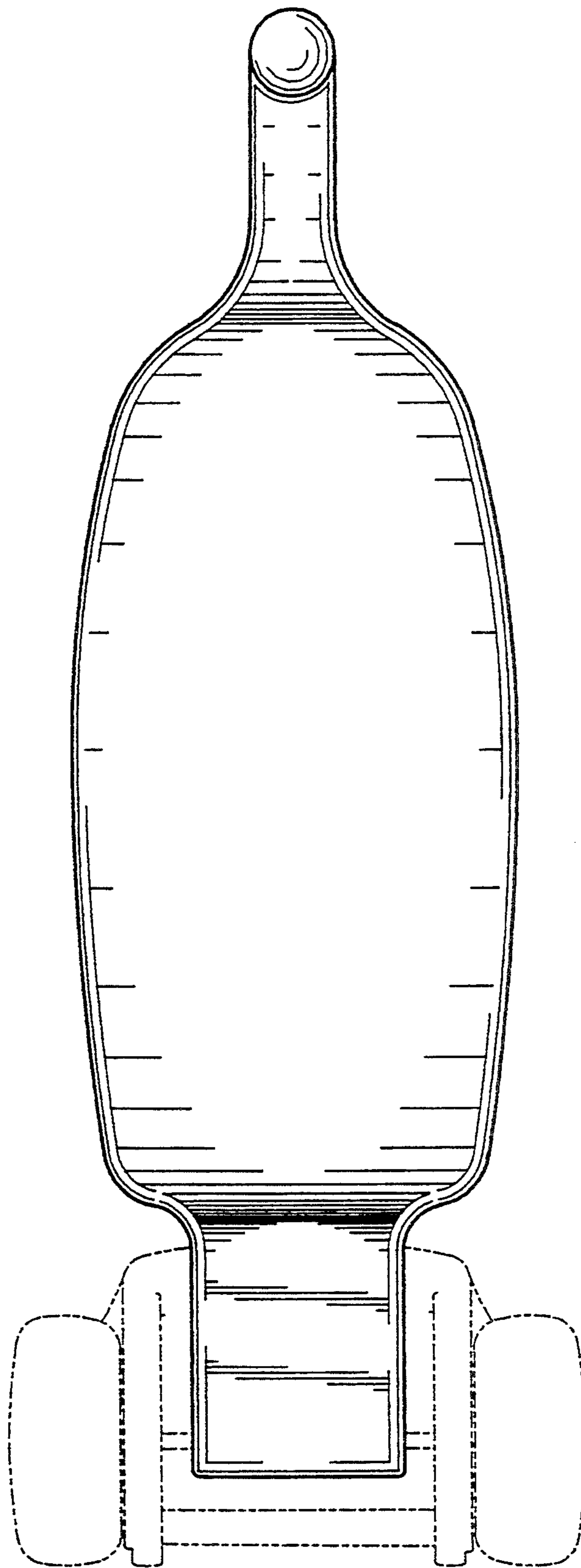


Fig. 4

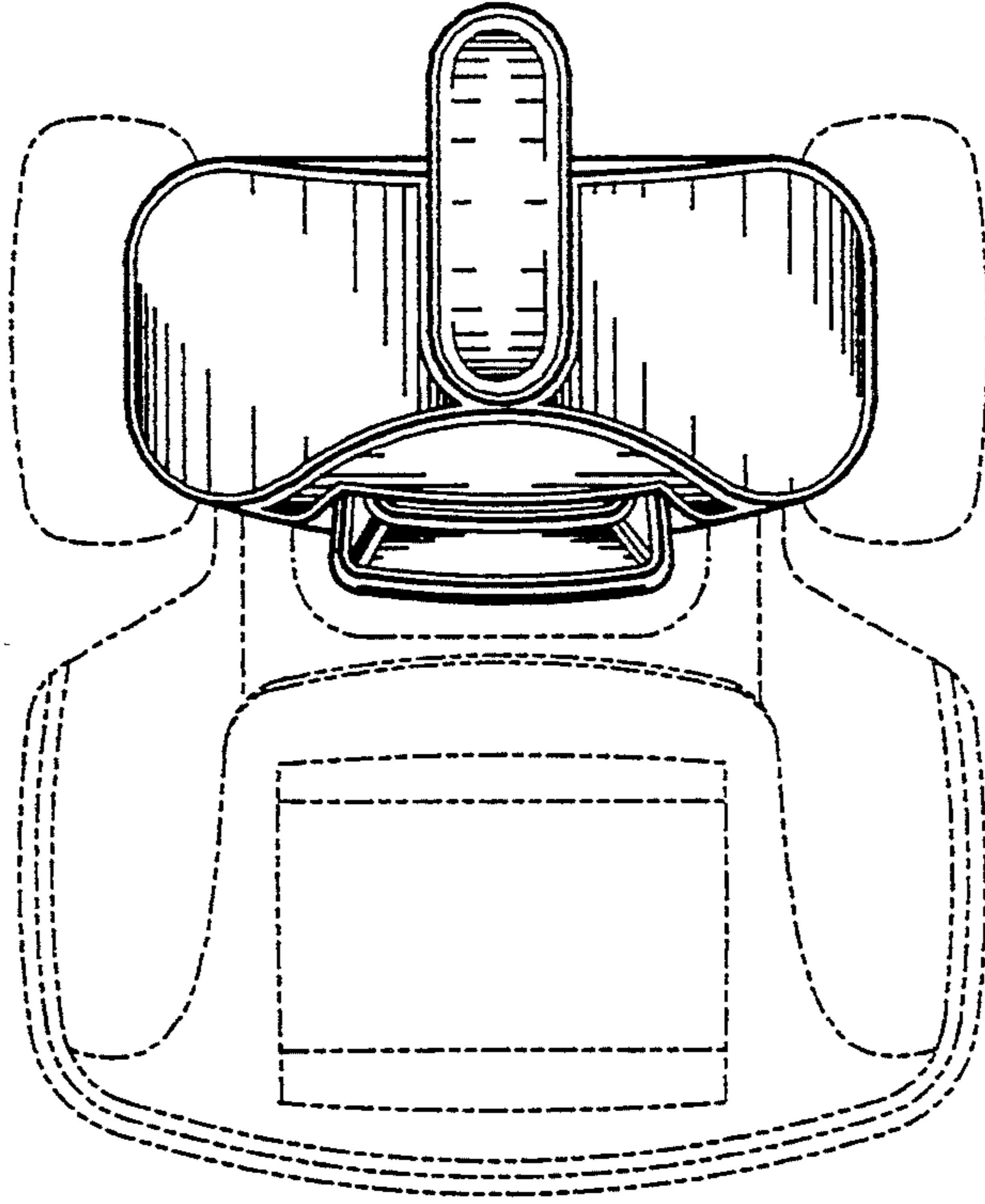


Fig. 5

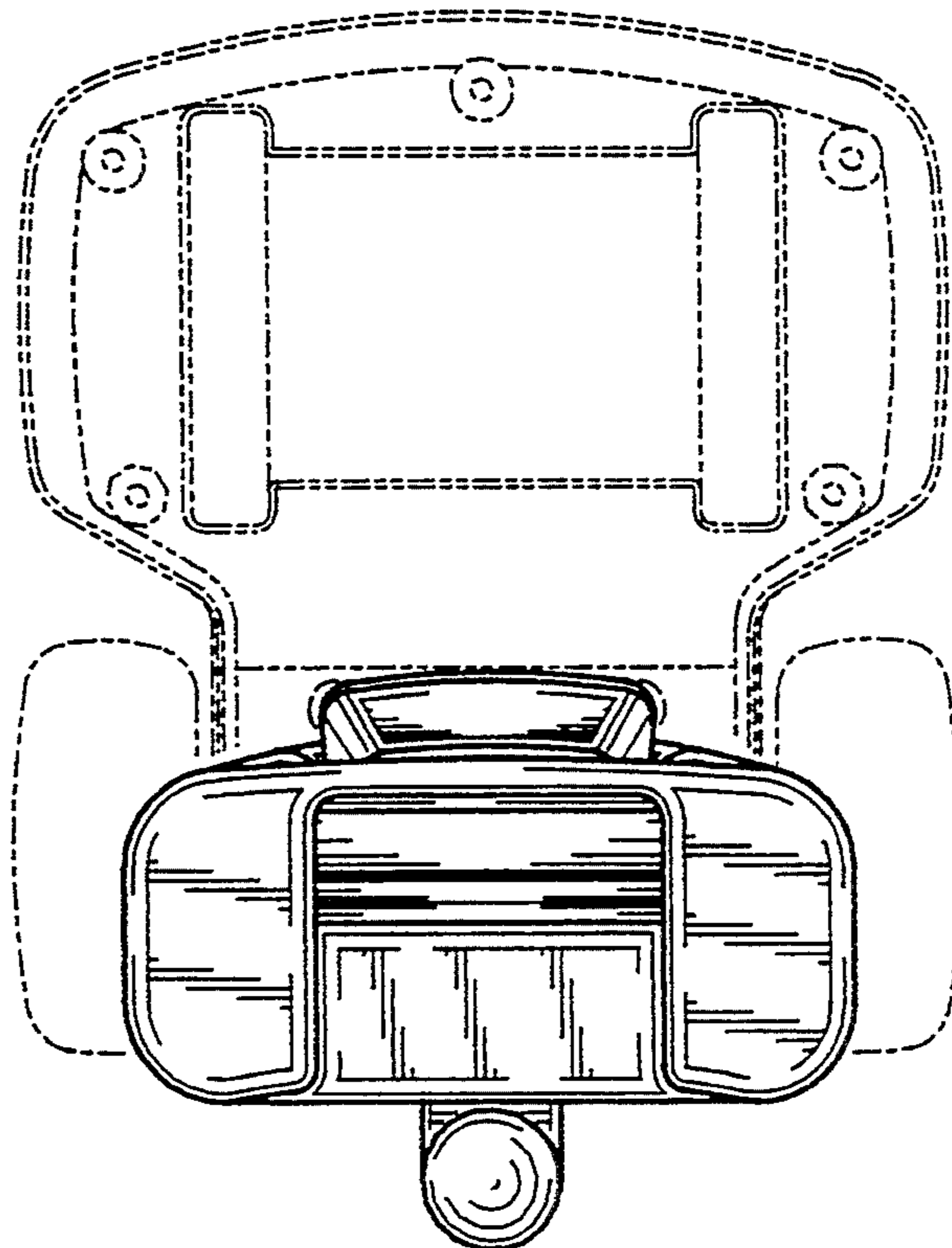


Fig. 6