



US00D361802S

United States Patent [19]

[11] Patent Number: **Des. 361,802**

Shiraishi

[45] Date of Patent: **** Aug. 29, 1995**

[54] **TOY LOADER SET**

[75] Inventor: **Hisashi Shiraishi, Tokyo, Japan**

[73] Assignee: **Tomy Company Ltd., Katsushika, Japan**

[**] Term: **14 Years**

[21] Appl. No.: **11,993**

[22] Filed: **Aug. 19, 1993**

[30] **Foreign Application Priority Data**

Feb. 19, 1993 [JP] Japan 5-4774

[52] U.S. Cl. **D21/118**

[58] Field of Search D21/108, 114-115, D21/118-119, 128, 134, 141, 143; D25/7, 14, 19; 446/110, 128, 423, 424, 451, 476, 494

[56] **References Cited**

U.S. PATENT DOCUMENTS

D. 248,888 8/1978 Sato D21/143

D. 260,105	8/1981	Matsumoto	D21/143
D. 269,360	6/1983	Ng	D21/118
2,438,603	3/1948	Erhardt	446/424
2,934,853	5/1960	Smith	446/424
4,458,440	7/1984	D'Andrade	446/424

Primary Examiner—Theodore M. Shooman

Assistant Examiner—R. Barkai

Attorney, Agent, or Firm—Staas & Halsey

[57] **CLAIM**

The ornamental design for a toy loader set, as shown and described.

DESCRIPTION

FIG. 1 is a front elevational view of a toy loader set showing my new design;

FIG. 2 is a rear elevational view thereof;

FIG. 3 is a left side elevational view thereof;

FIG. 4 is a right side elevational view thereof;

FIG. 5 is a top plan view thereof;

FIG. 6 is a bottom plan view thereof; and,

FIG. 7 is a perspective view thereof.

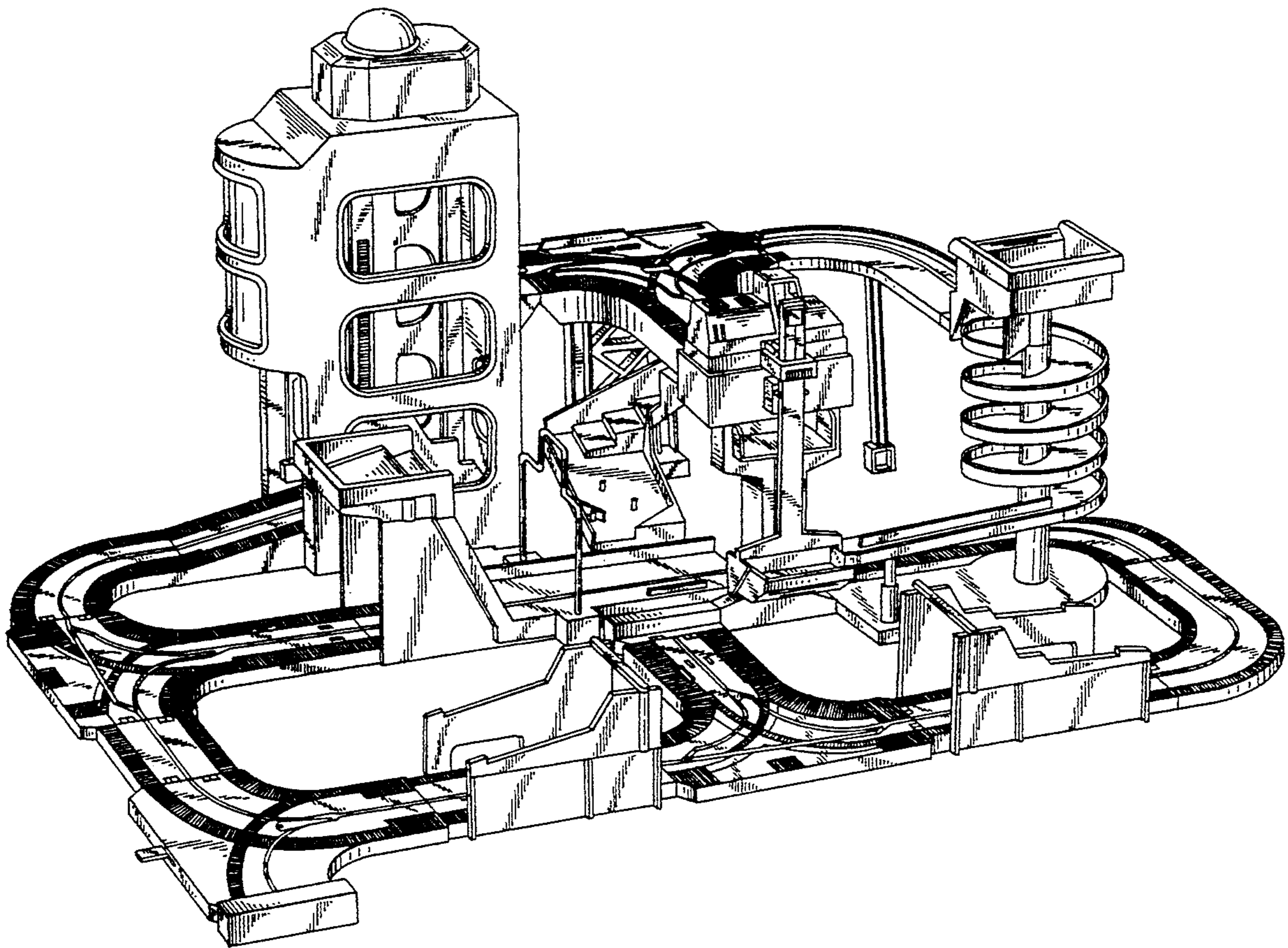


FIG. 1

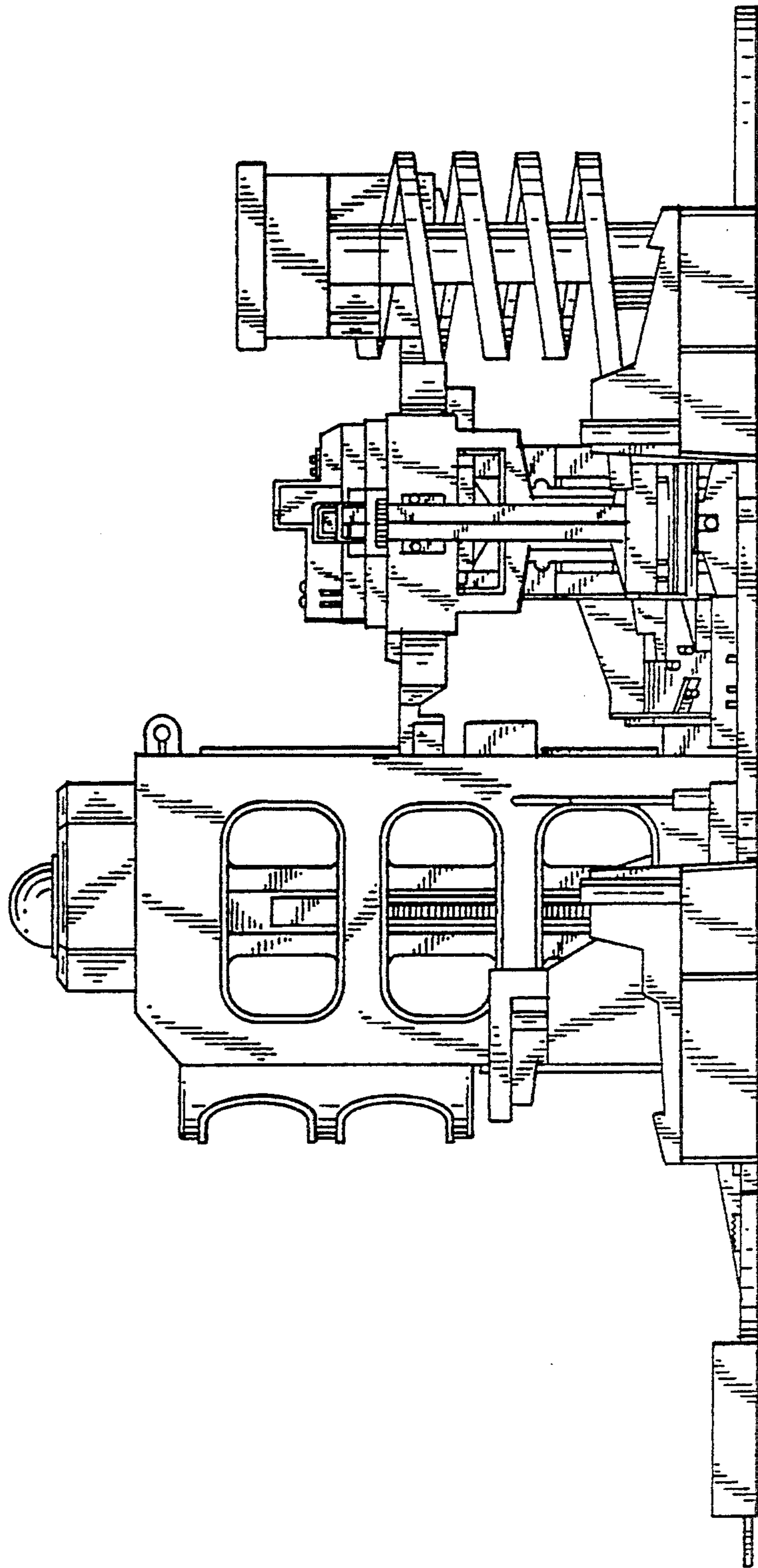


FIG. 2

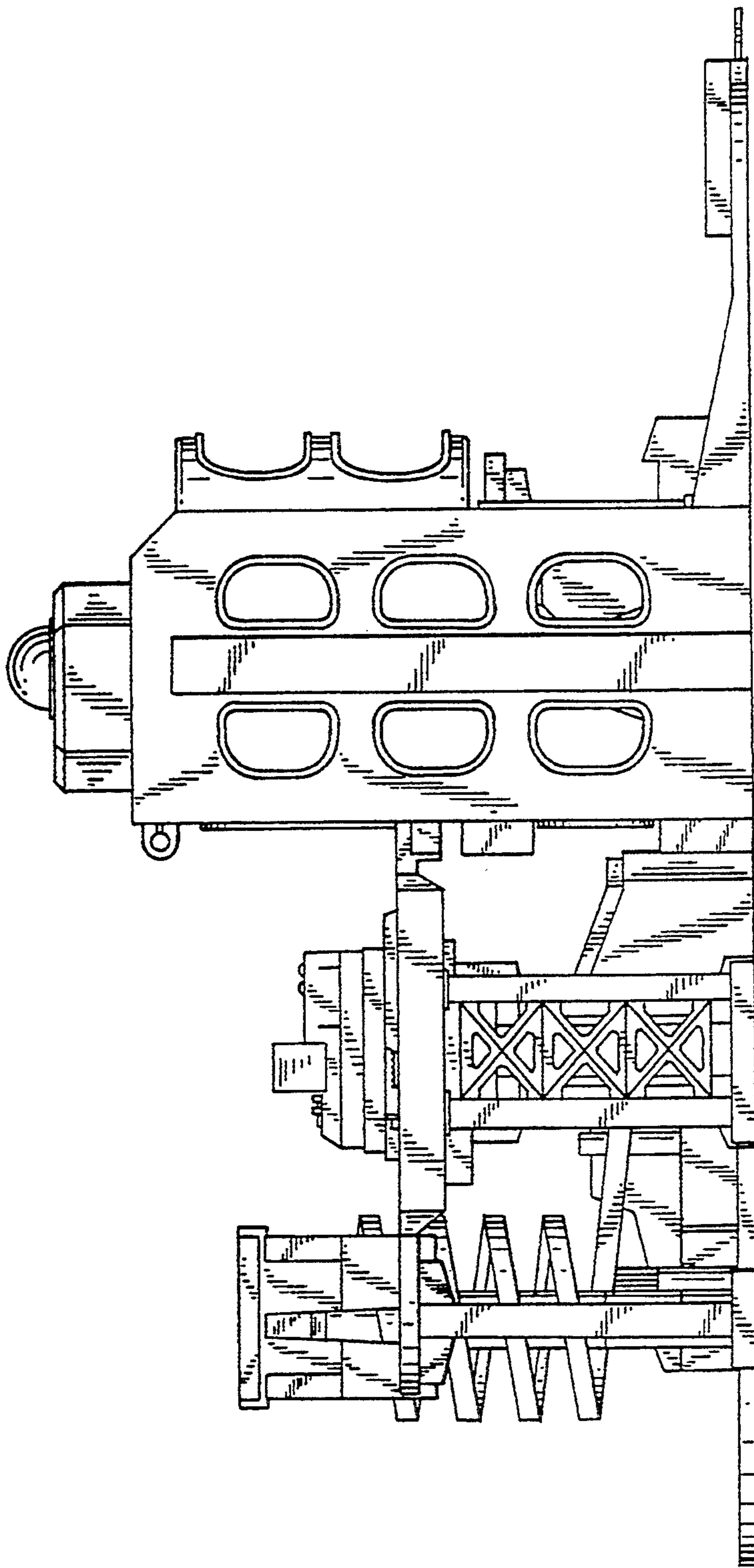


FIG. 3

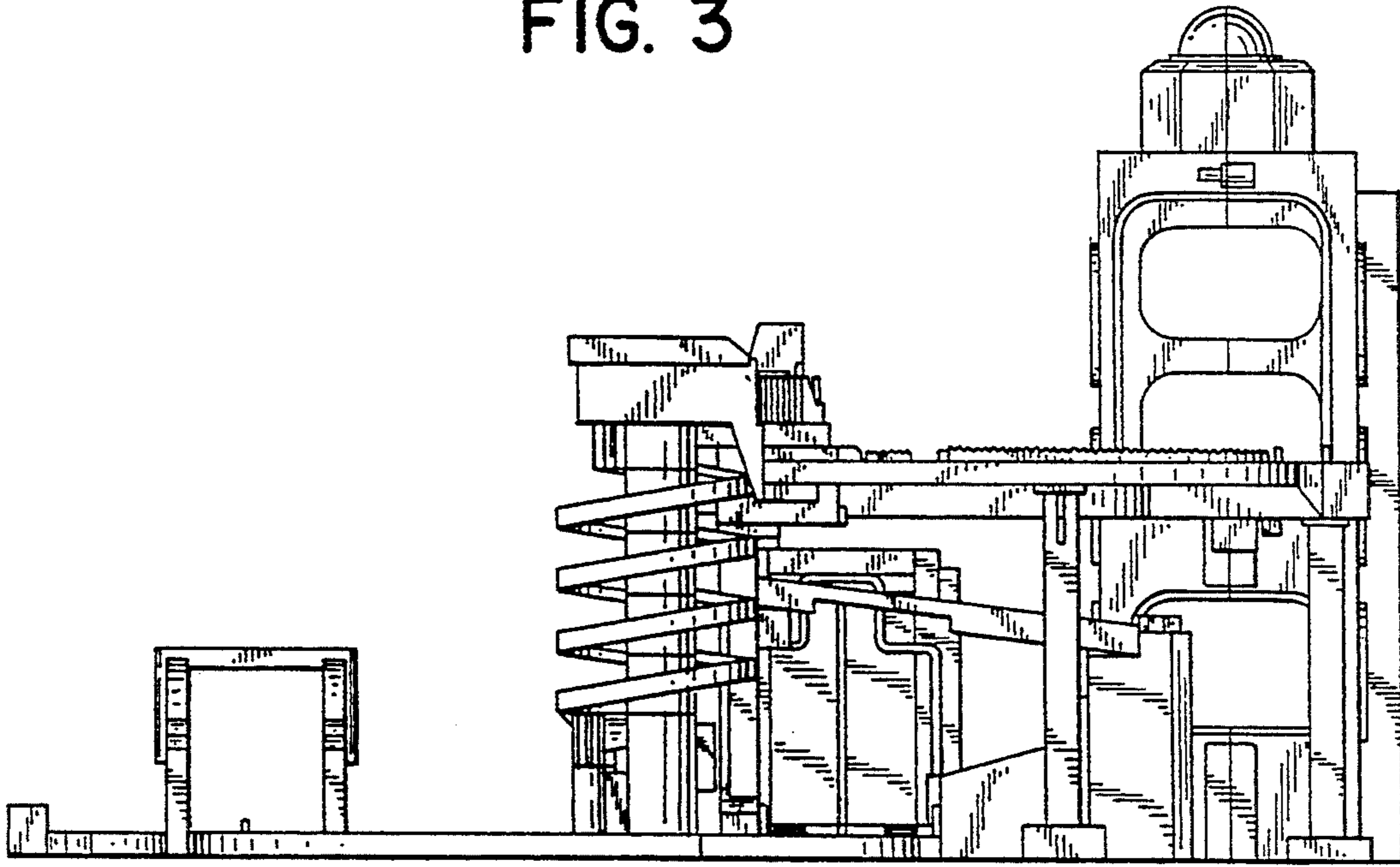


FIG. 4

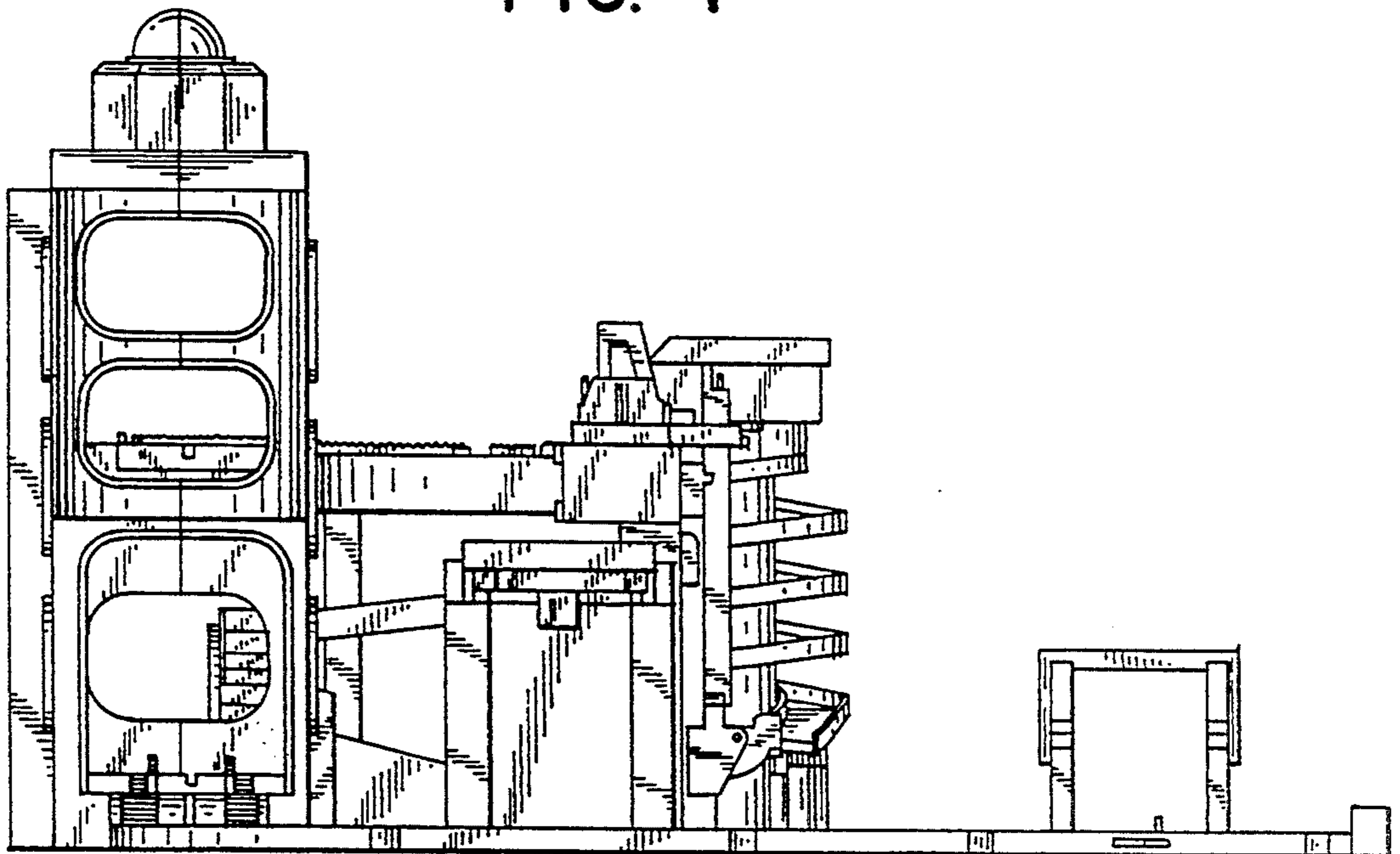


FIG. 5

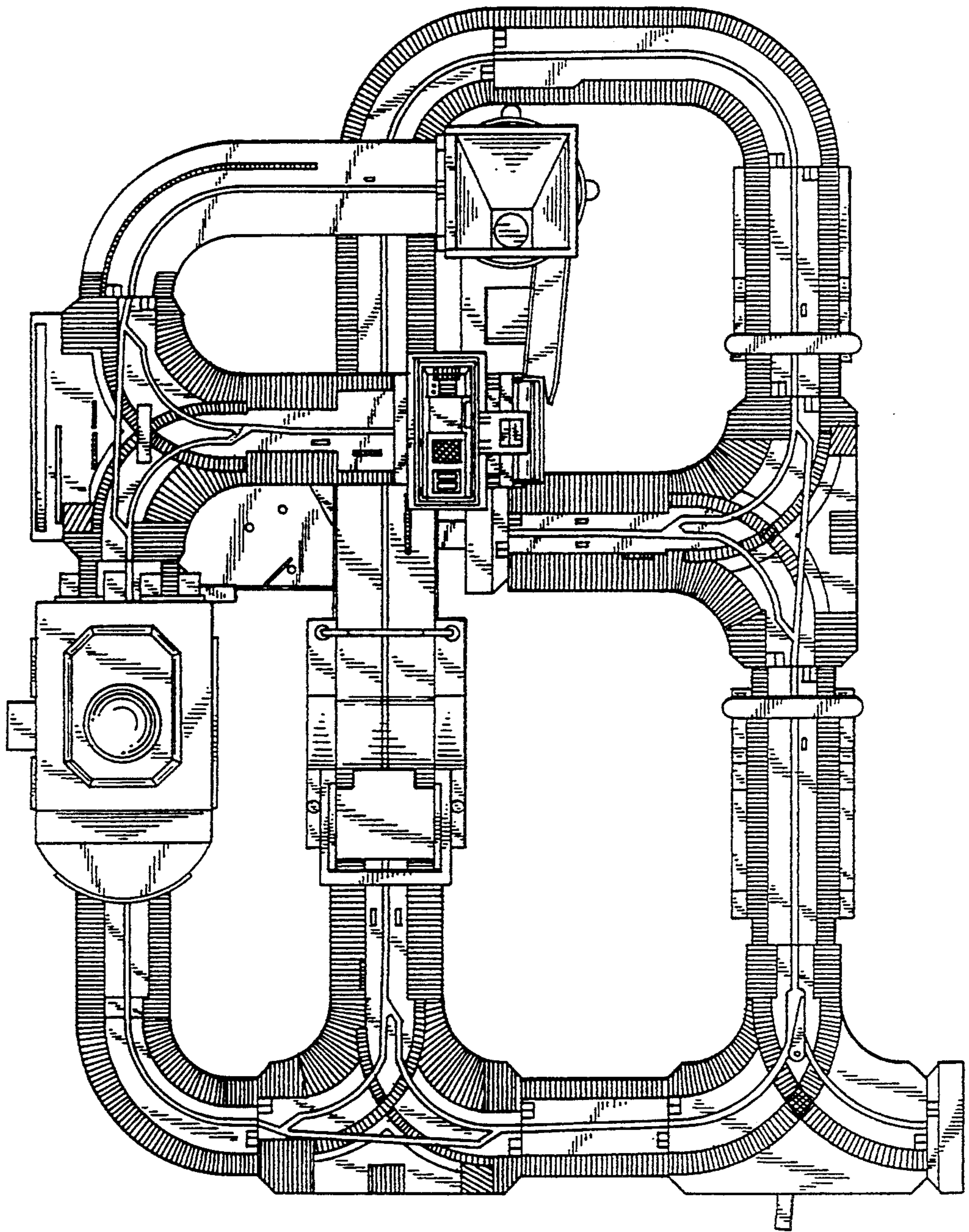


FIG. 6

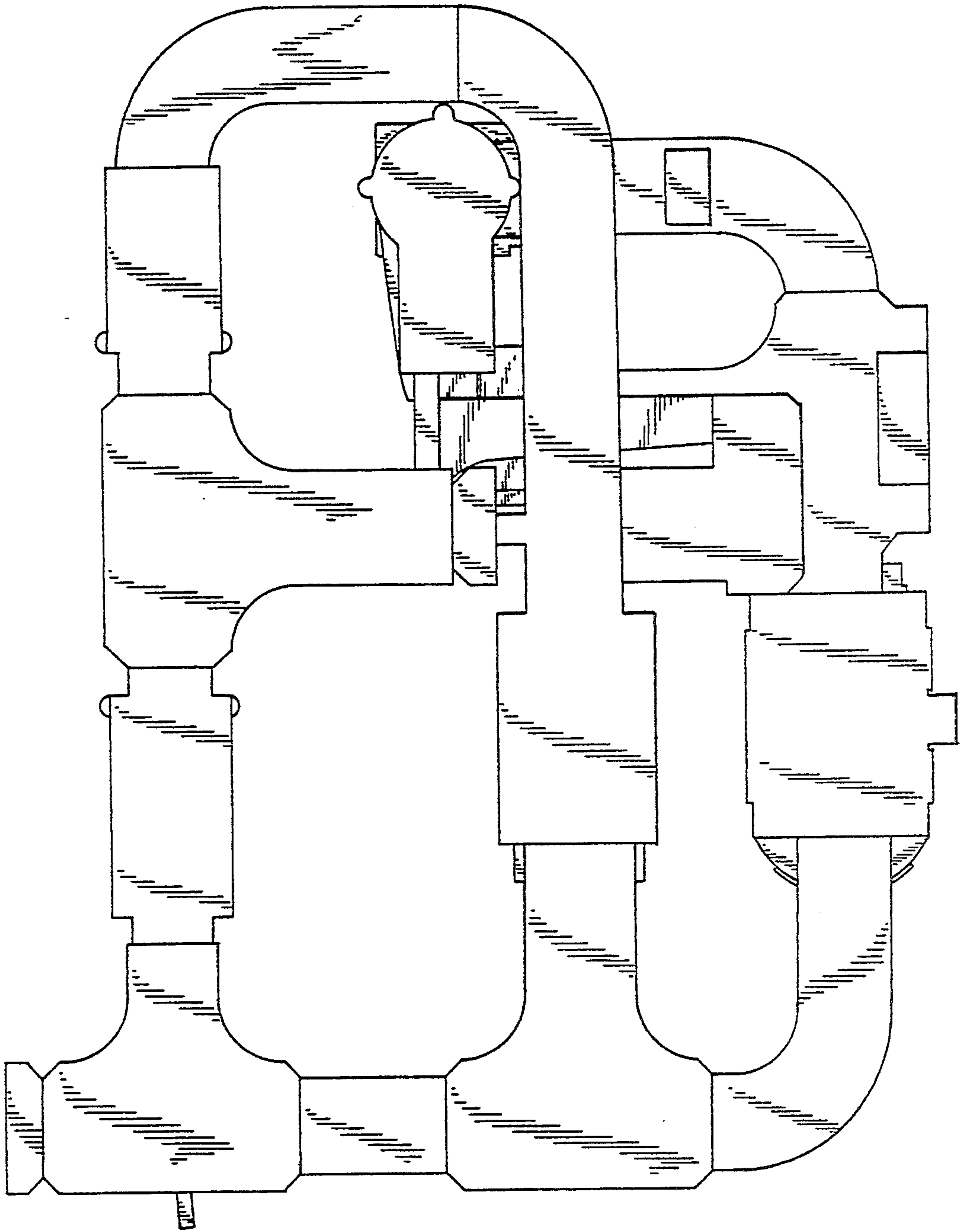


FIG. 7

