



US00D361800S

United States Patent [19]

[11] Patent Number: **Des. 361,800**

Lenihan

[45] Date of Patent: **** Aug. 29, 1995**

[54] TOY CAR

[75] Inventor: **Gary Lenihan**, East Aurora, N.Y.

[73] Assignee: **Fisher Price, Inc.**, East Aurora, N.Y.

[**] Term: **14 Years**

[21] Appl. No.: **27,332**

[22] Filed: **Aug. 19, 1994**

[52] U.S. Cl. **D21/78**

[58] Field of Search D21/71, 76, 78, 133, D21/134, 136, 137, 140; D12/90, 91, 92; 446/93, 95, 128, 465, 468, 470; 280/87.051, 87.01, 87.021, 828

Little Tikes: Toys That Last, 1994, "Cozy Coupe", p. 42.

Step Two: A Step Beyond, 1994 "Snuggle Bug", p. 12.
Step Two: A Step Beyond, 1994, "Round-About", p. 13.

Step Two: A Step Beyond, 1994 "Van-4-2", p. 17.
Today's Kids: Better Toys by Design, 1994, "Super Car", p. 34.

Primary Examiner—Terry A. Wallace

Assistant Examiner—R. Barkai

Attorney, Agent, or Firm—Howrey & Simon; C. Scott Talbot; Leo J. Jennings

[57] CLAIM

The ornamental design for a toy car, as shown and described.

[56] References Cited

U.S. PATENT DOCUMENTS

D. 179,549	1/1957	Rivolta	D12/90
D. 251,587	4/1979	Marson	D12/90
D. 264,608	5/1982	Mariol	D21/78
D. 282,675	2/1986	Arigaya	D21/136
D. 323,193	1/1992	Litwicki	D21/78
D. 383,925	8/1993	Van Huystee	D21/78
5,106,150	4/1992	Litwicki	296/216

OTHER PUBLICATIONS

Little Tikes: Toys That Last, 1994, "Mini Van", p. 42.

DESCRIPTION

FIG. 1 is a right perspective view of a toy car showing my new design;

FIG. 2 is a front elevation view thereof;

FIG. 3 is a rear elevation view thereof;

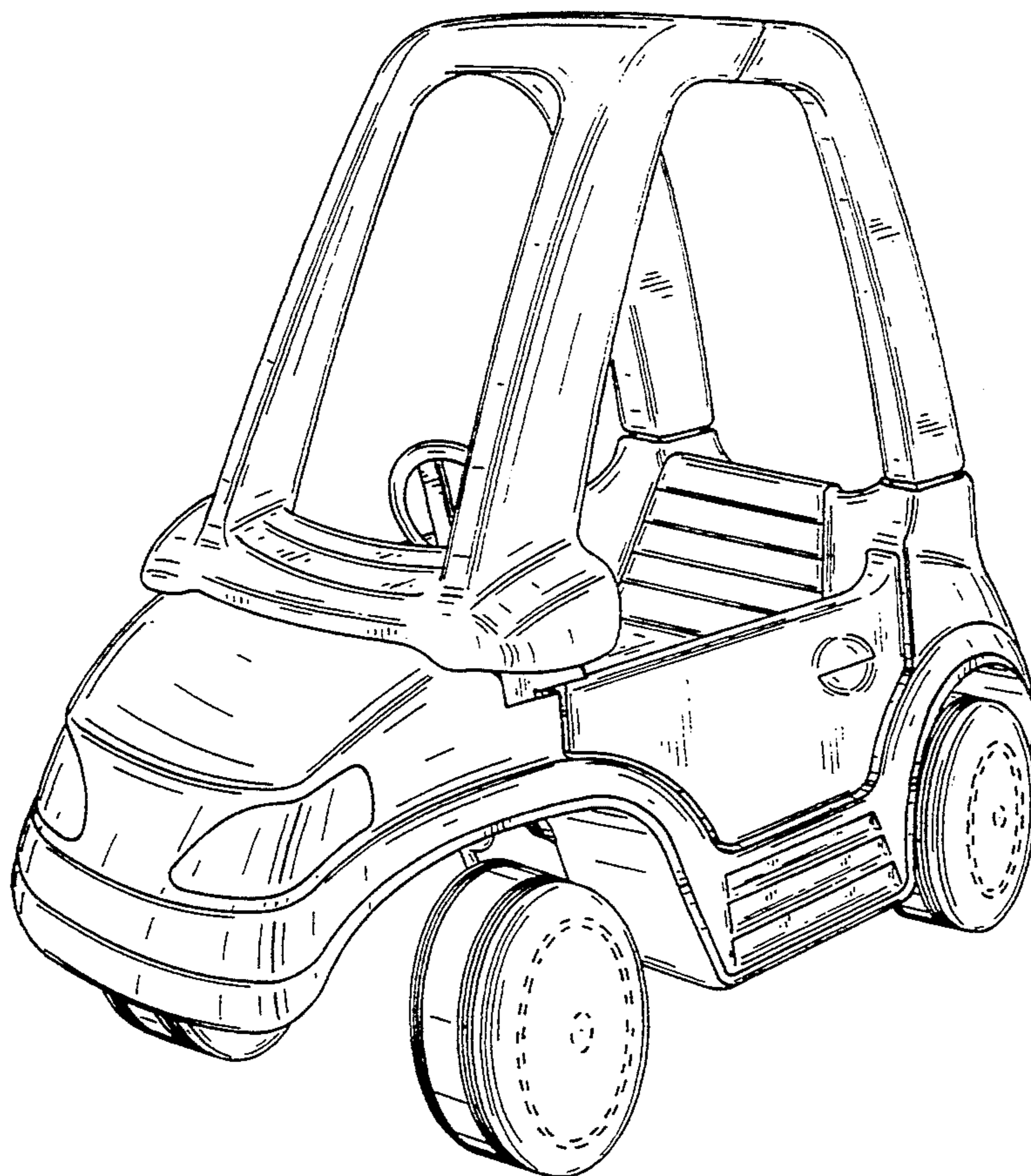
FIG. 4 is a right side elevation view thereof;

FIG. 5 is a left side elevation view thereof;

FIG. 6 is a top plan view thereof; and,

FIG. 7 is a bottom plan view.

The broken line showing of the hub cap in FIGS. 1, 4 and 5 is for illustrative purposes only and forms no part of the claimed design.



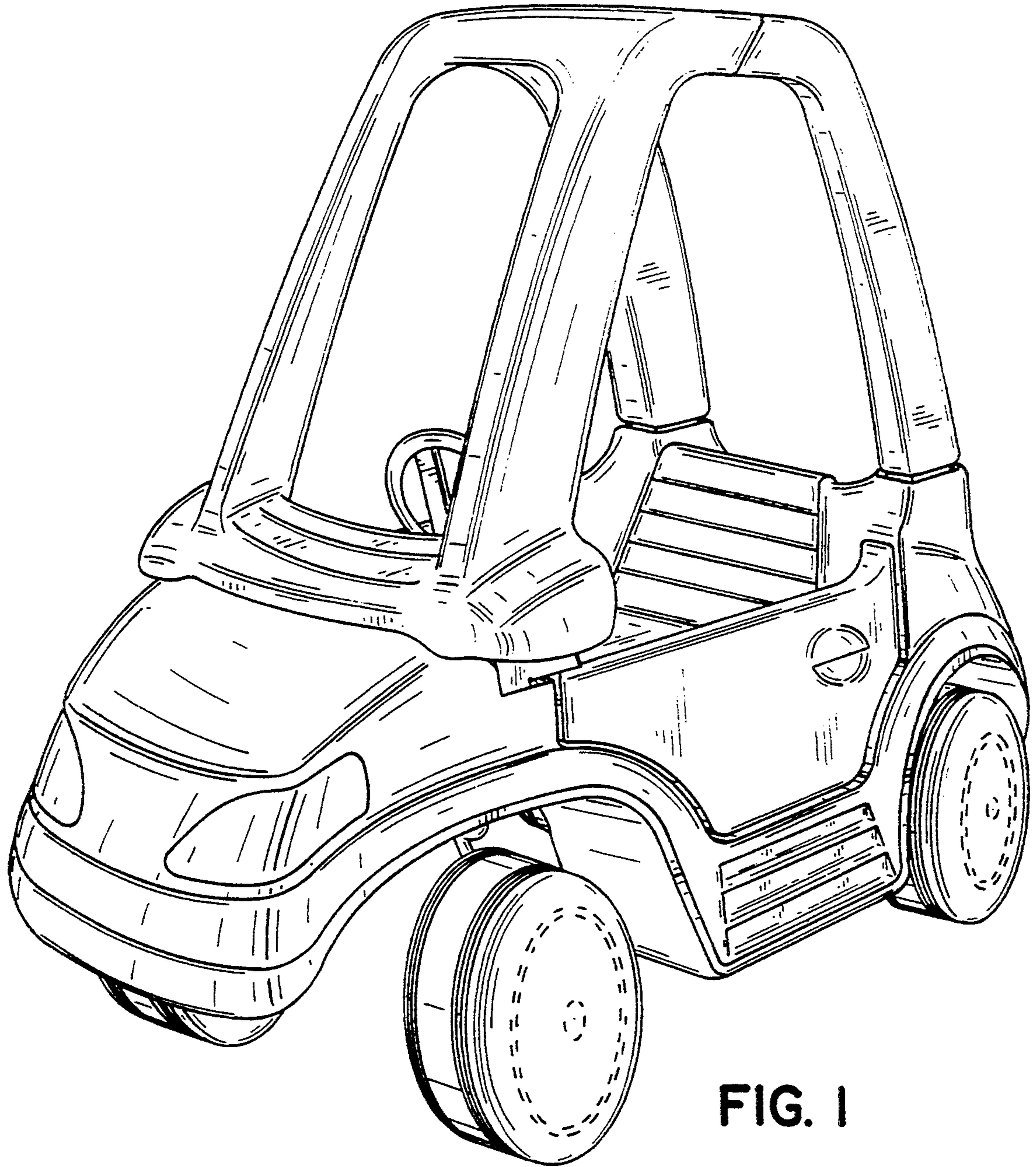


FIG. 1

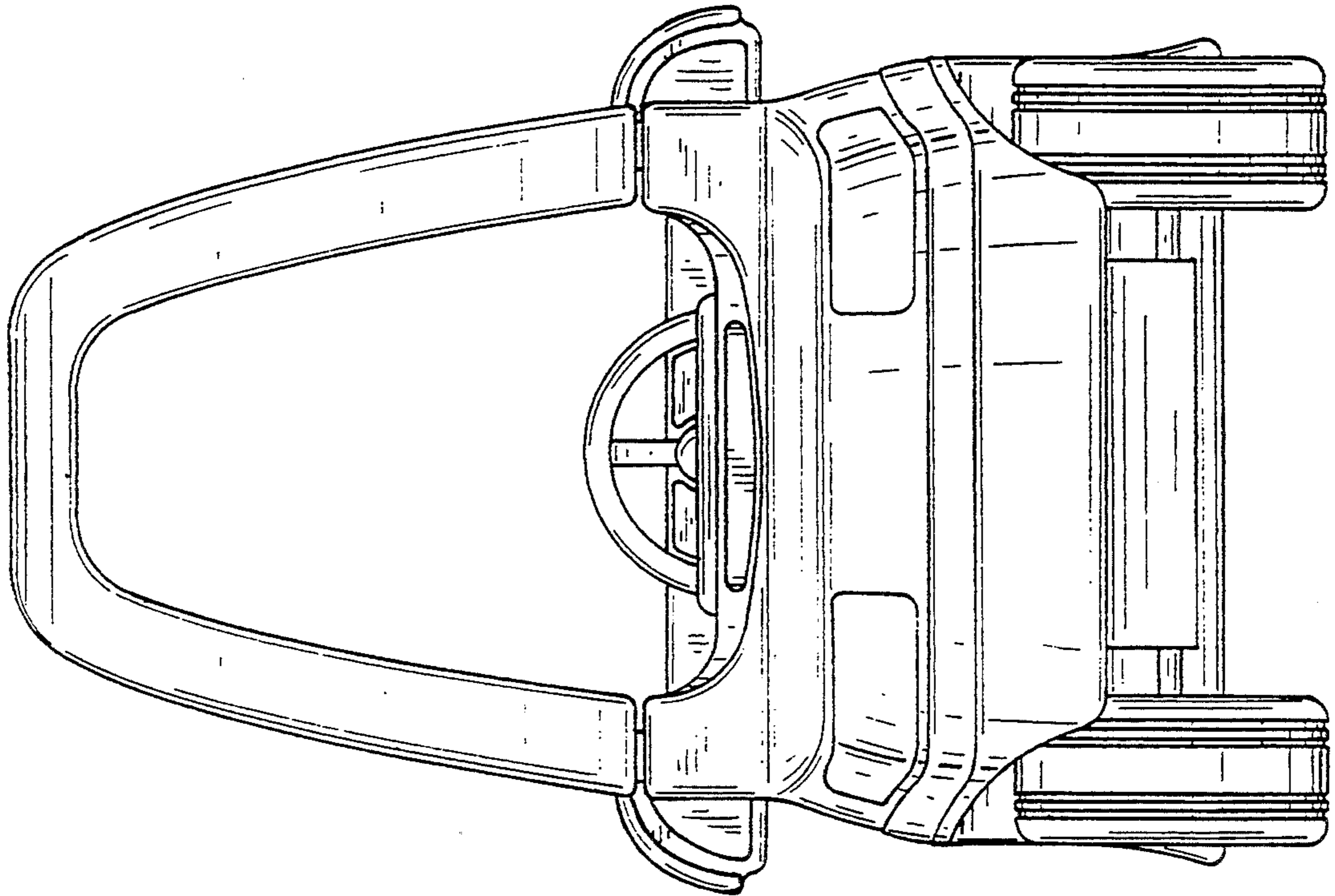


FIG. 3

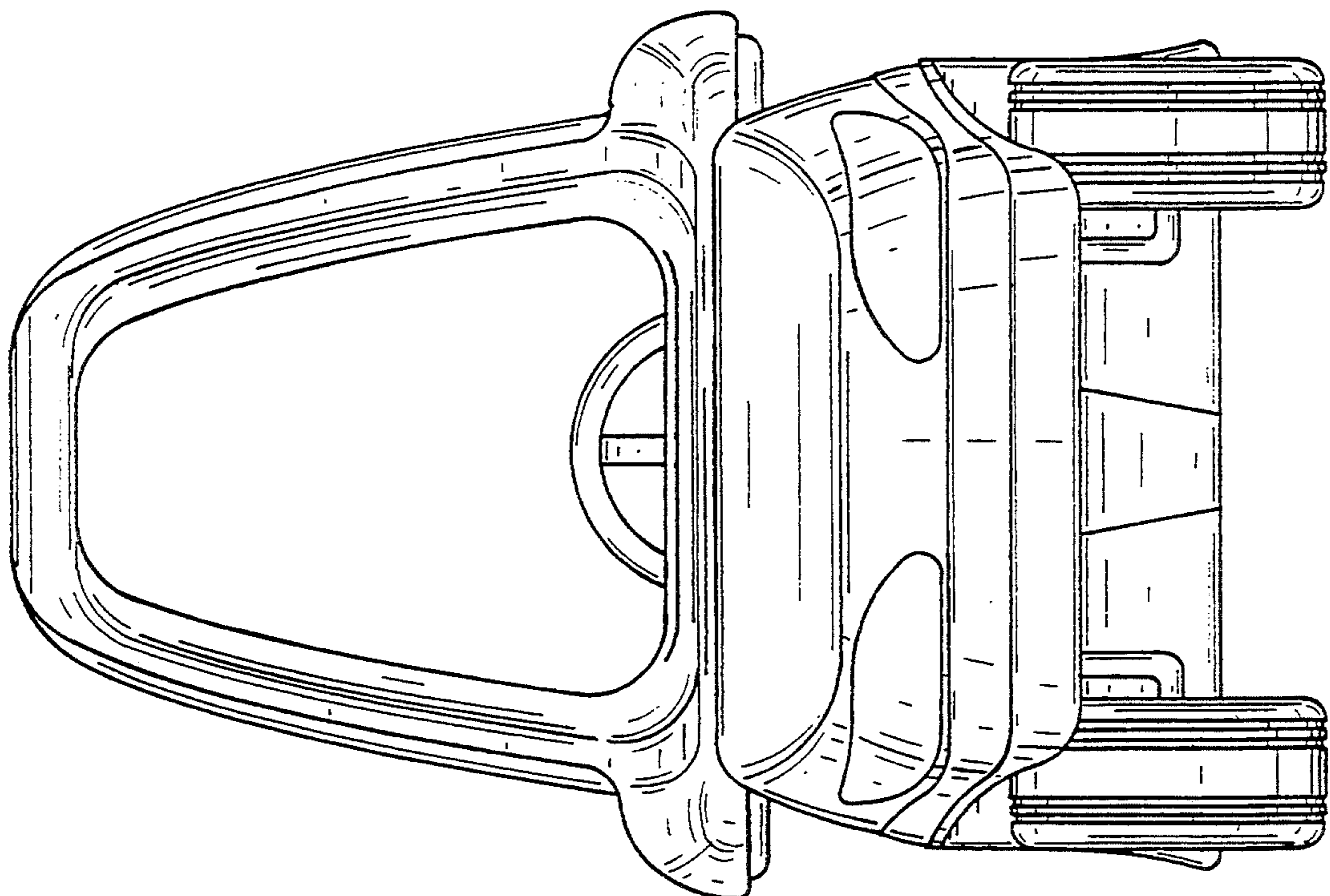


FIG. 2

FIG. 4

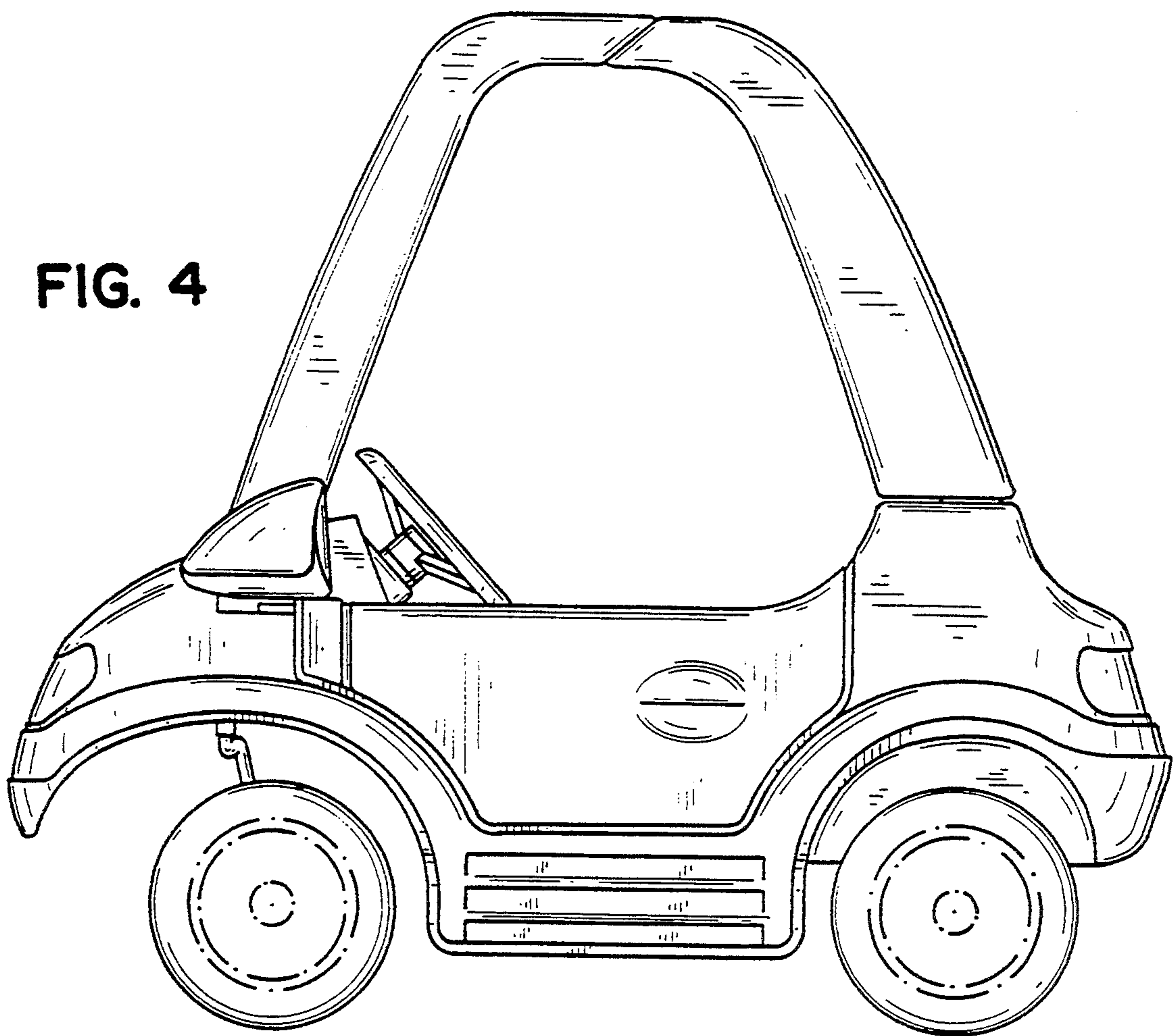
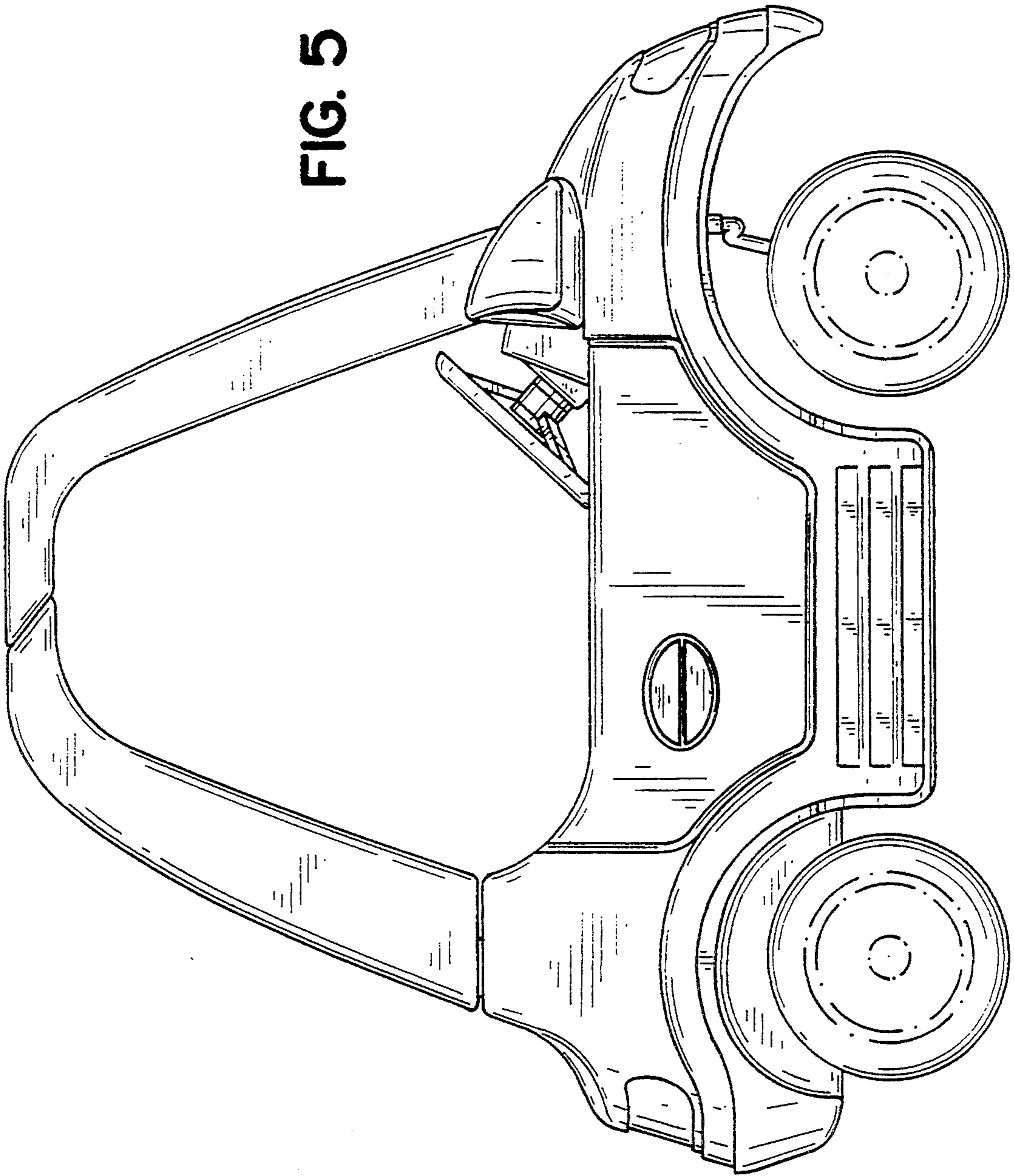


FIG. 5



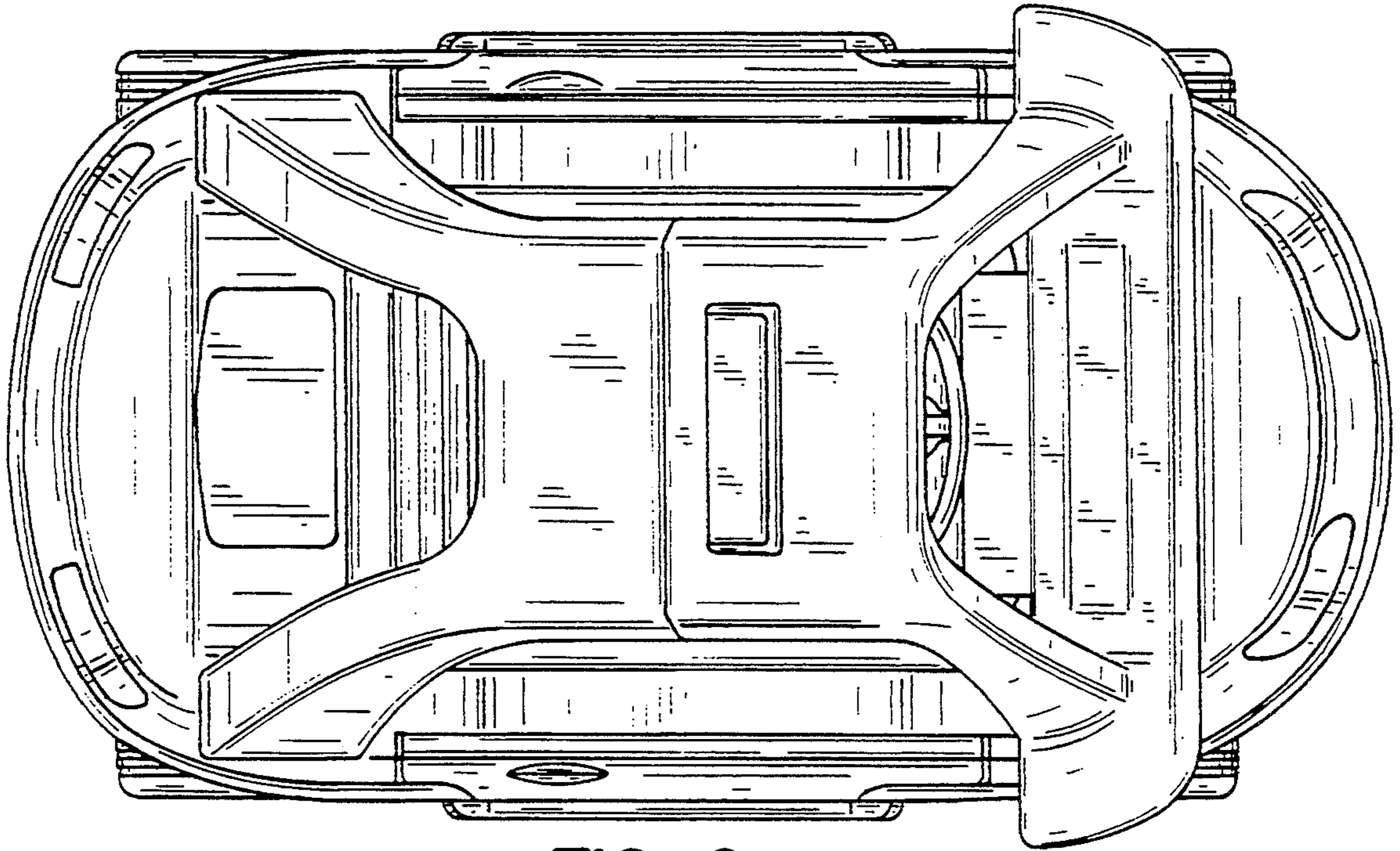


FIG. 6

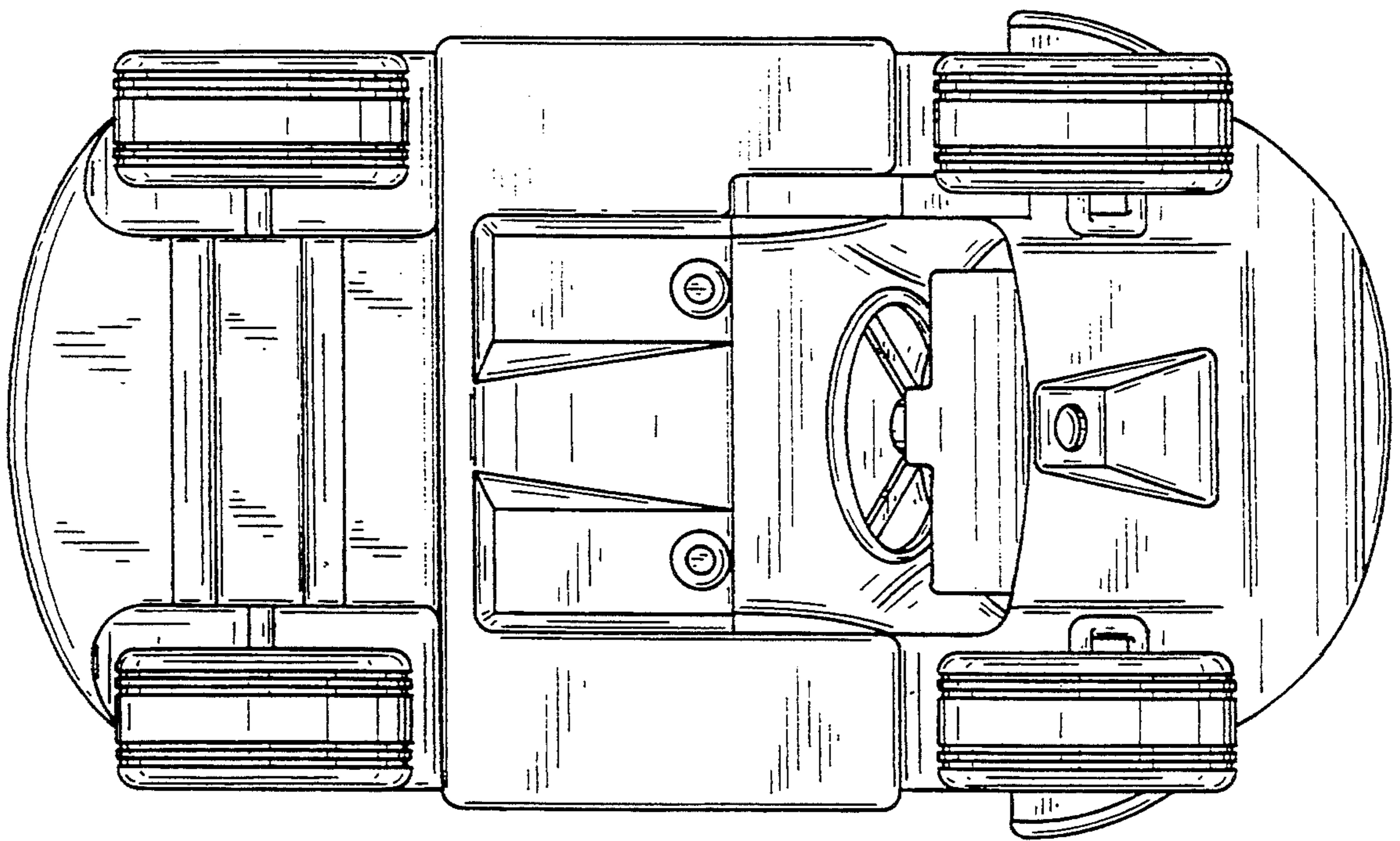


FIG. 7