



US00D361799S

United States Patent [19]

[11] Patent Number: **Des. 361,799**

Ferreira

[45] Date of Patent: **** Aug. 29, 1995**

[54] **TRUNDLE TOY**

[76] Inventor: **Eduardo M. Ferreira**, P.O. Box
24040-301 Oxford St. W., London,
Ontario, Canada, N6H-5C4

D. 270,743 9/1983 Fields D21/71
D. 270,847 10/1983 Wood D21/71
D. 337,622 7/1993 Schiffman D21/71
D. 344,105 2/1994 Offutt D21/59

[**] Term: **14 Years**

Primary Examiner—Terry A. Wallace
Assistant Examiner—R. Barkai

[21] Appl. No.: **19,412**

[57] **CLAIM**

[22] Filed: **Mar. 1, 1994**

The ornamental design for a trundle toy, as shown and described.

[52] U.S. Cl. **D21/71**

[58] Field of Search **D21/59, 71, 73, 74-79,**
D21/128, 132, 134, 136, 137, 141; 446/427, 428,
456, 465, 470; 280/1.13, 8.28, 87.021; D12/135

DESCRIPTION

[56] **References Cited**

U.S. PATENT DOCUMENTS

D. 52,815 12/1918 White D21/71
D. 75,260 5/1928 Kirst D21/78
D. 216,723 3/1970 Navickas D21/71
D. 220,447 4/1971 Bolstridge D21/73
D. 234,617 3/1975 Lamb D21/71

FIG. 1 is a front elevational view of the trundle toy showing my new design;
FIG. 2 is a rear elevational view thereof;
FIG. 3 is a left side elevational view thereof;
FIG. 4 is a right side elevational view thereof;
FIG. 5 is a top plan view thereof;
FIG. 6 is a bottom plan view thereof; and,
FIG. 7 is an exploded isometric view thereof, with the elements shown separately for ease of illustration only.

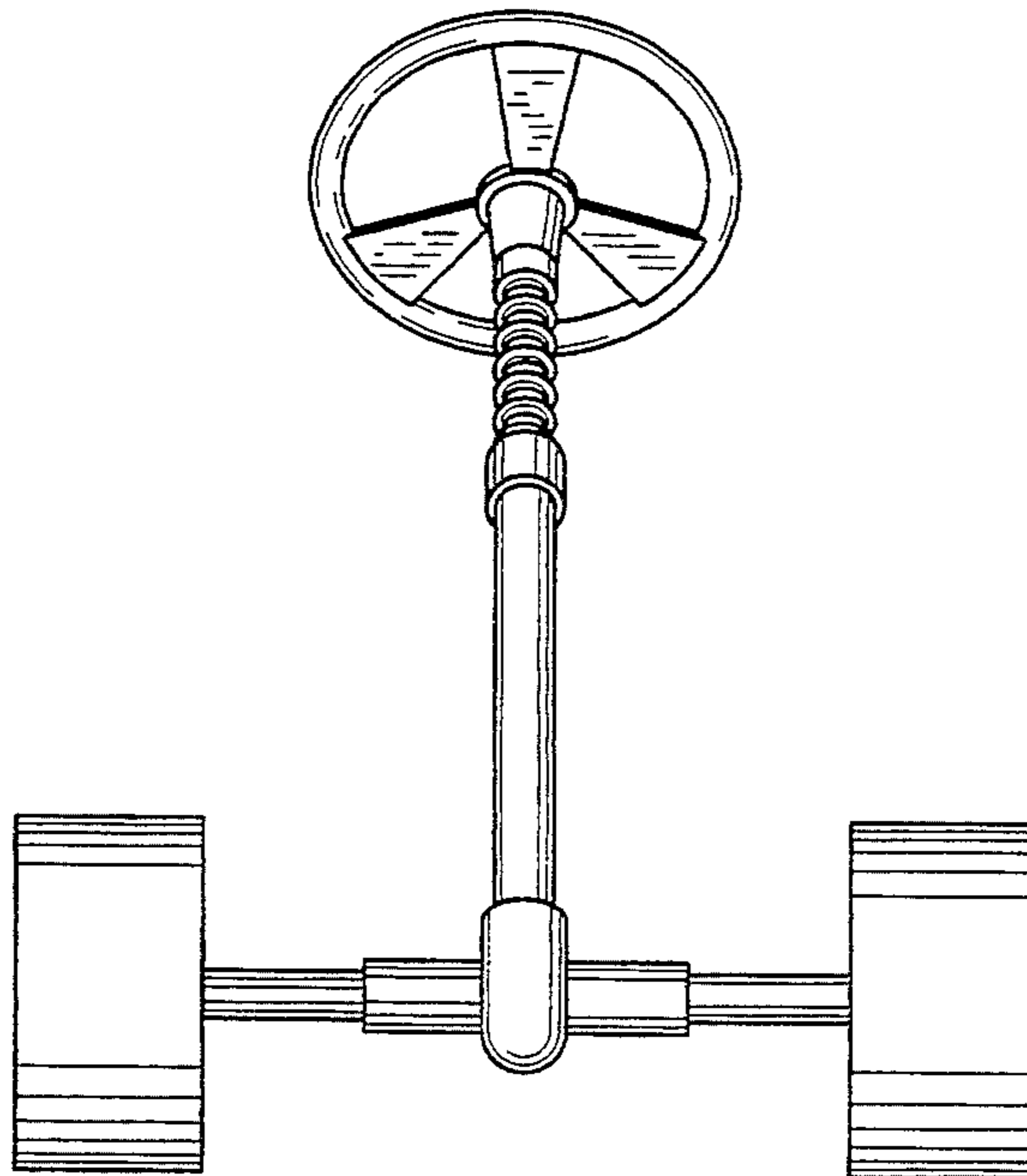


FIG. 1

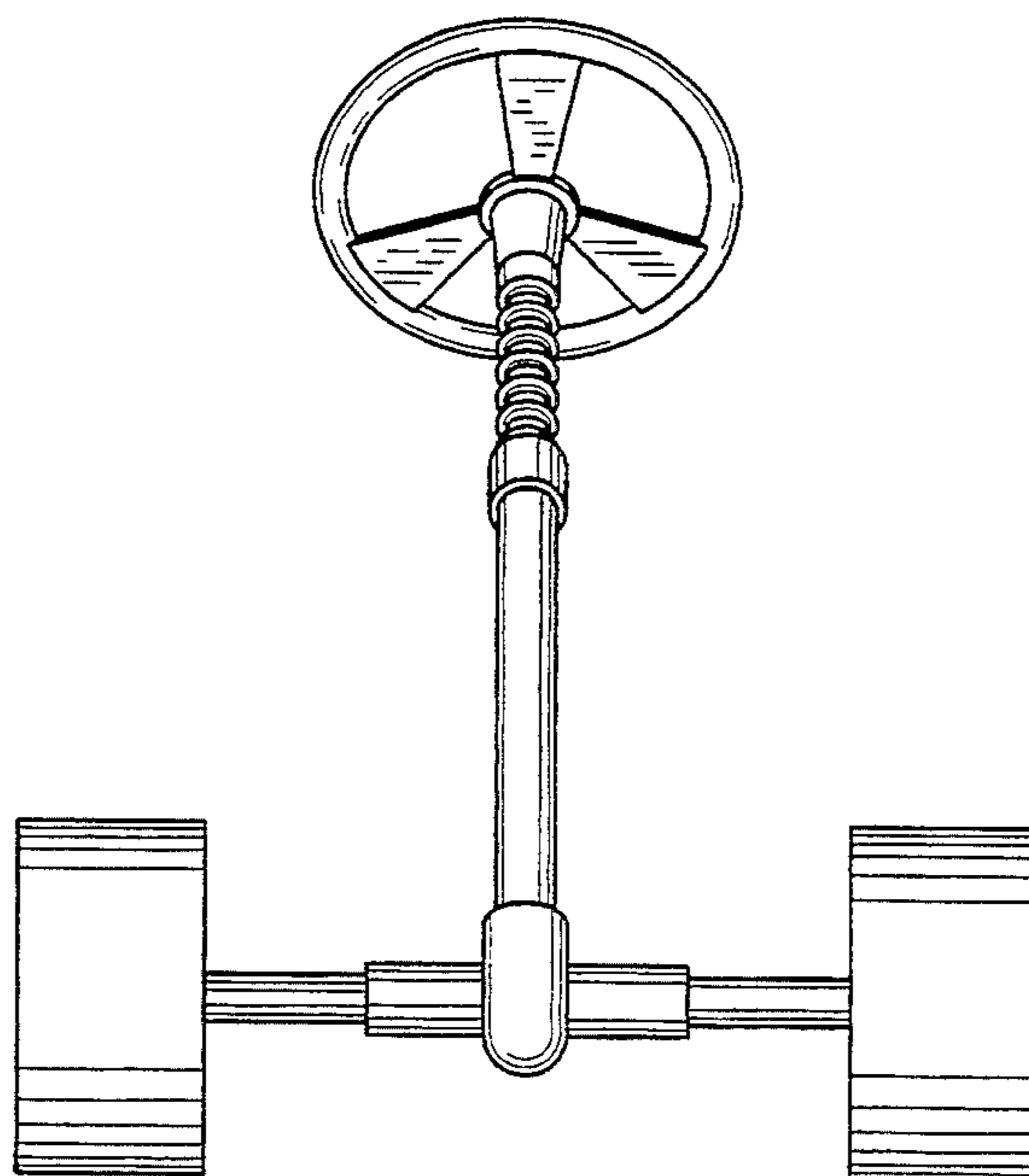


FIG. 2

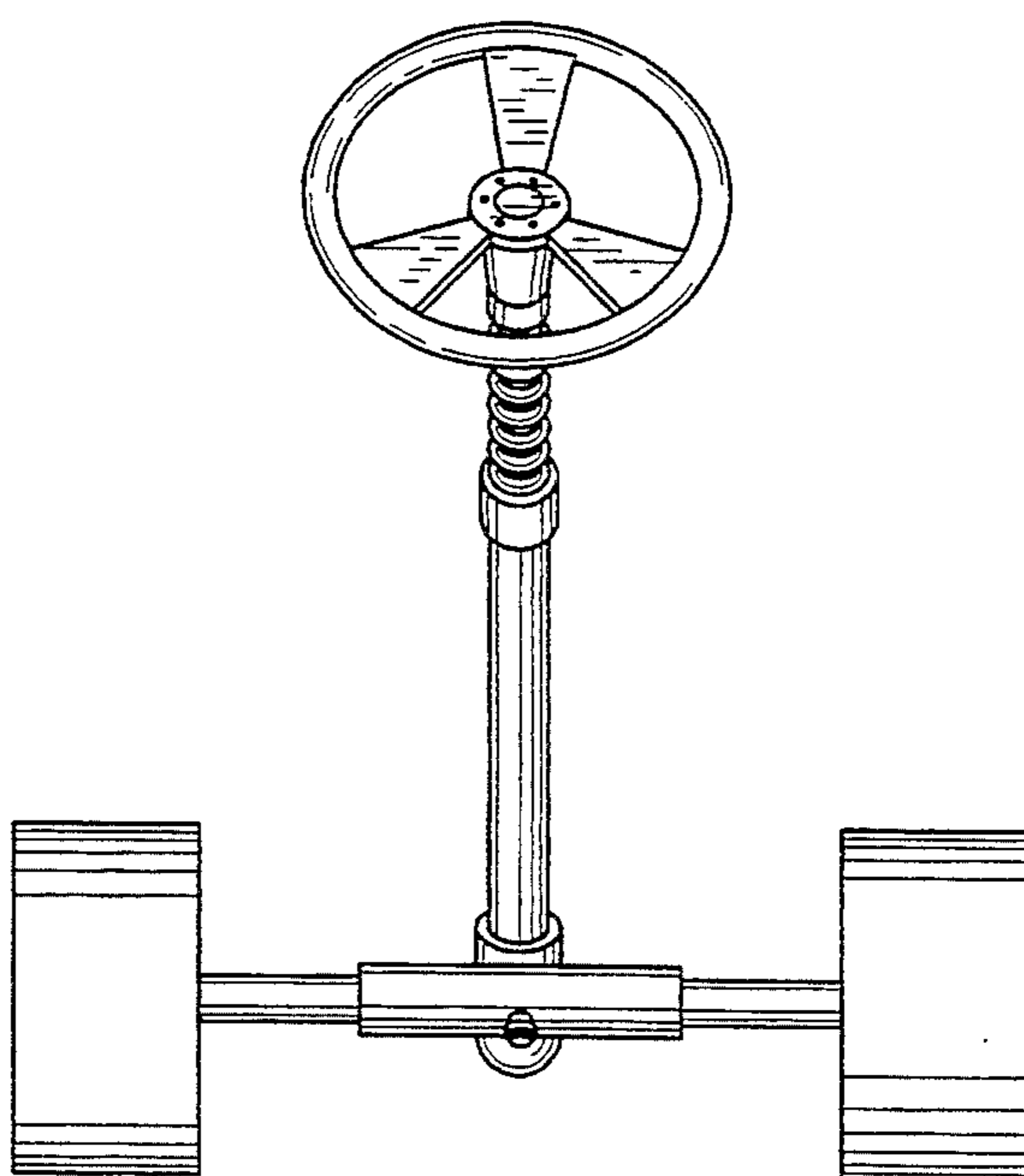


FIG. 3

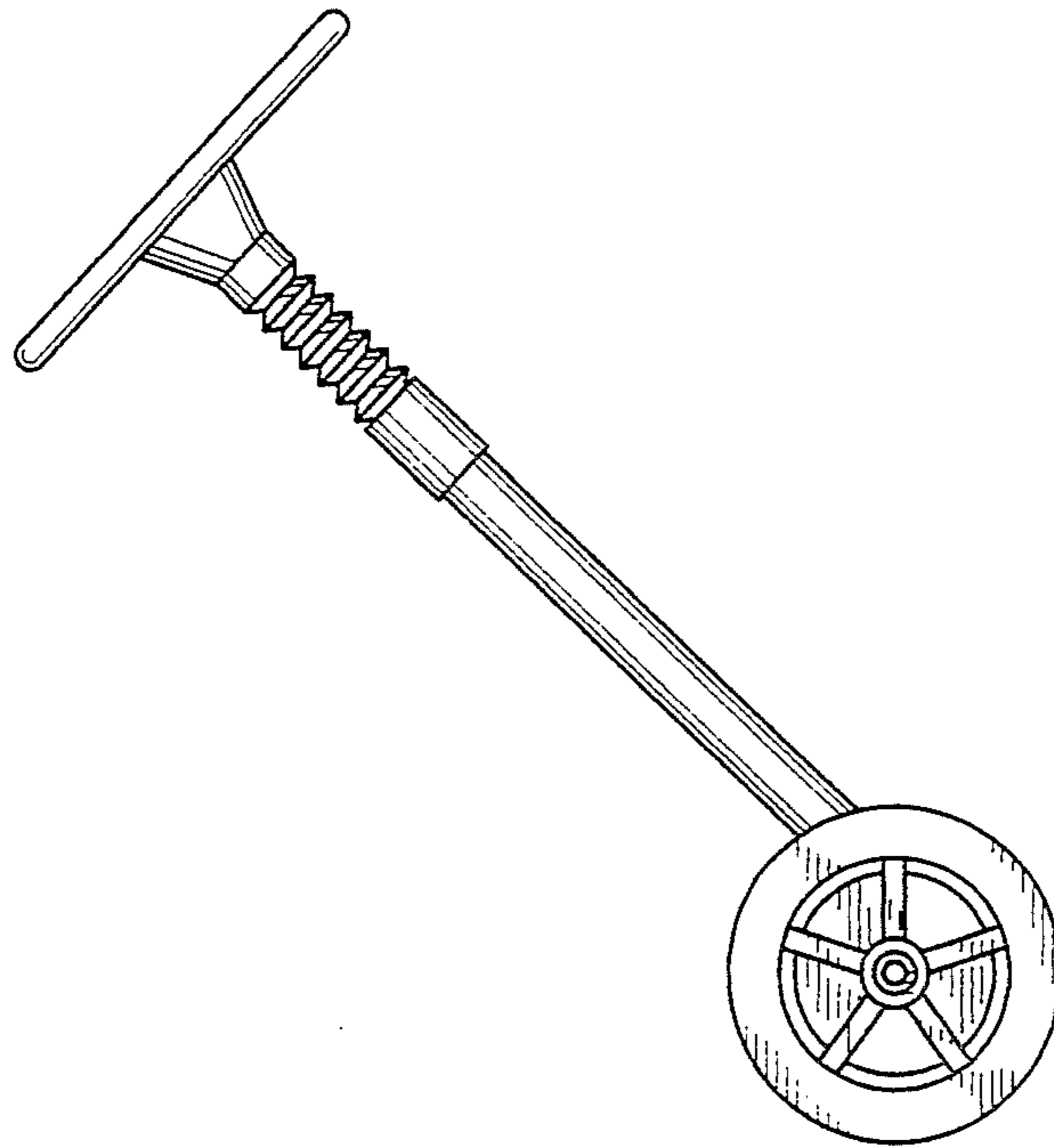


FIG. 4

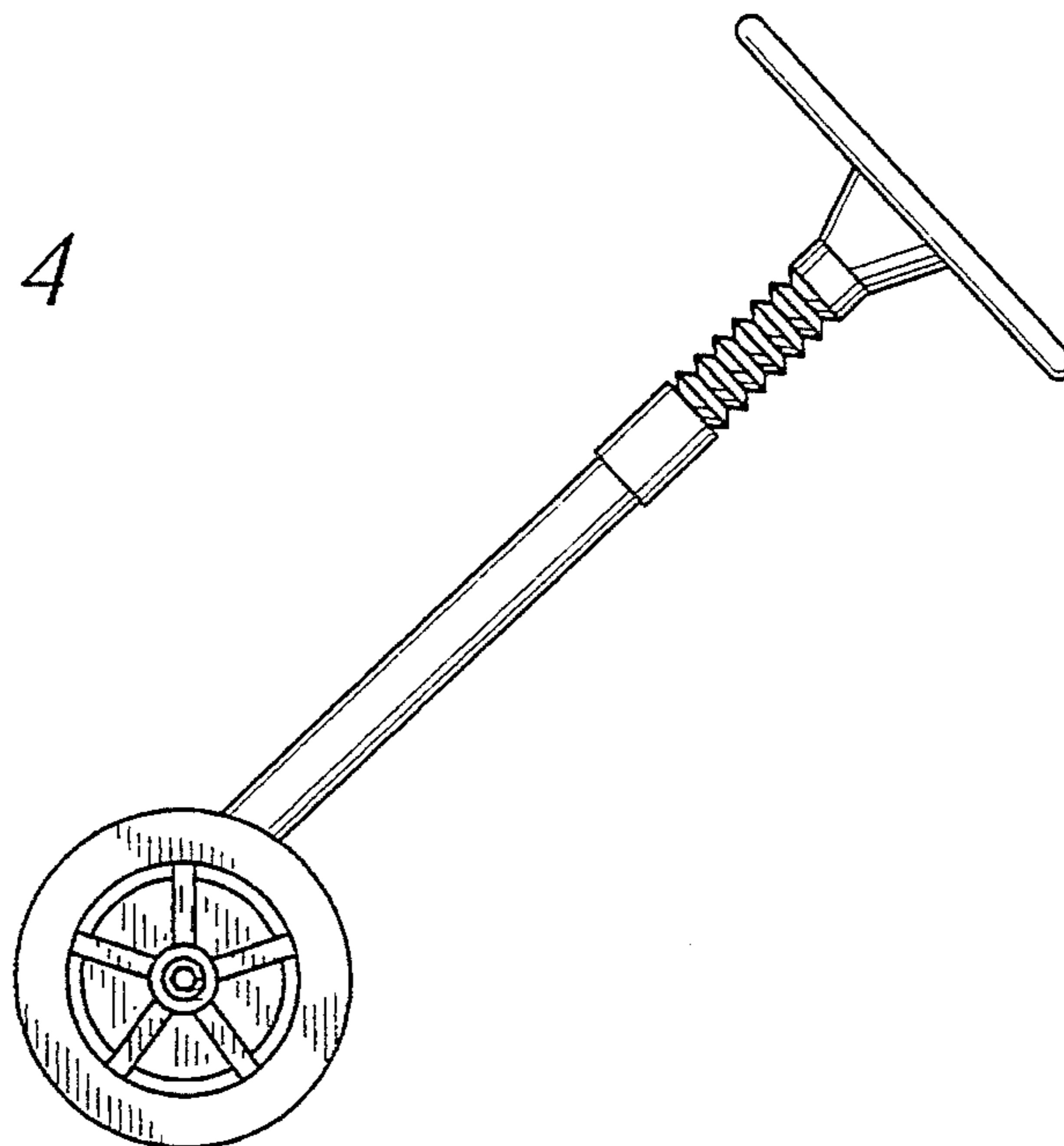


FIG. 5

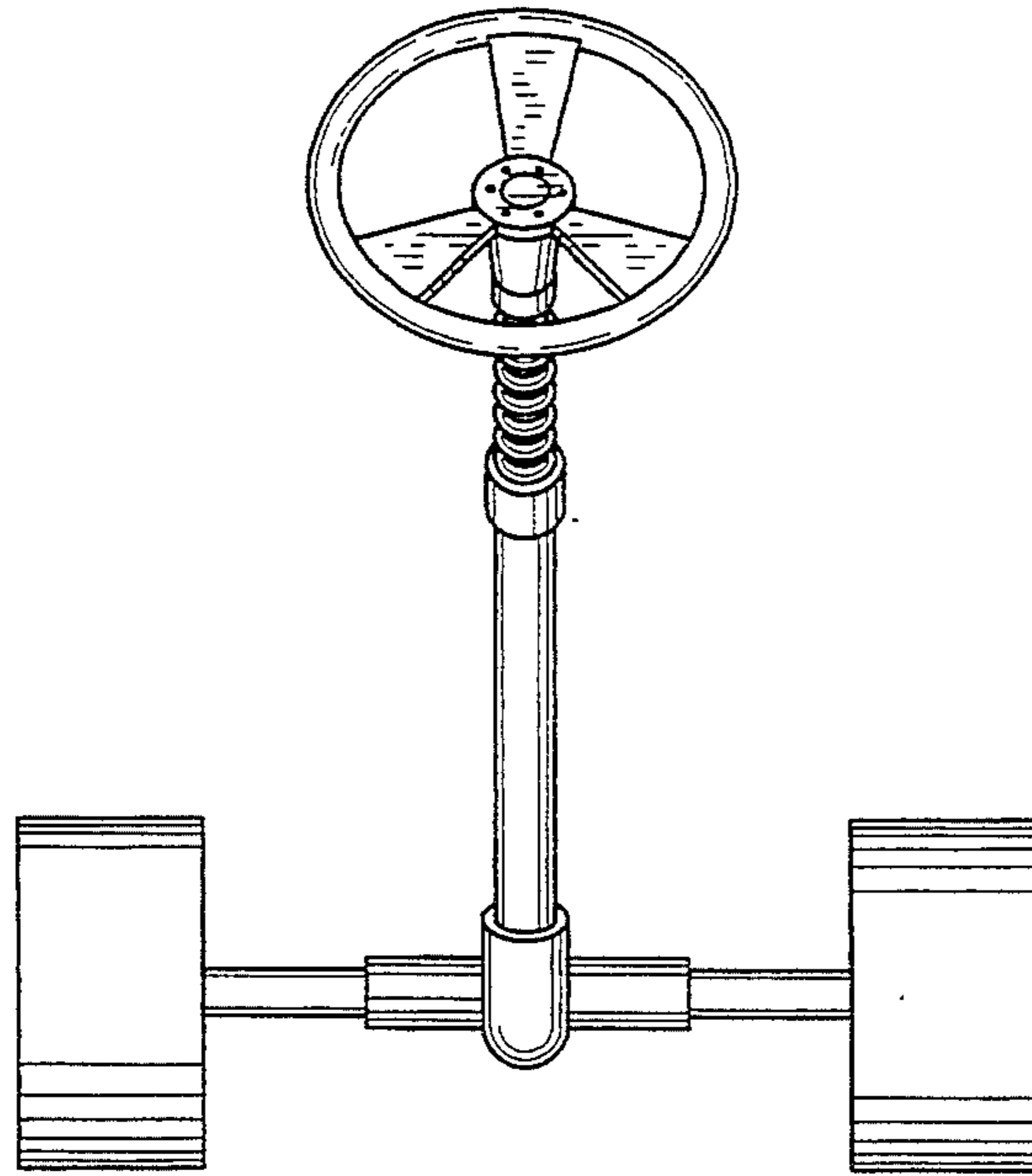


FIG. 6

