



US00D361798S

United States Patent [19]

[11] Patent Number: **Des. 361,798**

Kino

[45] Date of Patent: **** Aug. 29, 1995**

[54] **TOY PIANO**

[75] Inventor: **Moriya Kino**, Yokohama, Japan

[73] Assignee: **Royal Co., Ltd.**, Tokyo, Japan

[**] Term: **14 Years**

[21] Appl. No.: **18,033**

[22] Filed: **Jan. 27, 1994**

[52] U.S. Cl. **D21/64**

[58] Field of Search **446/397, 408, 416, 418; D17/7, 8**

A catalog including "Piano" issued 1993 by COMBI, 2 pages.

Primary Examiner—Terry A. Wallace
Assistant Examiner—Dominic Simone
Attorney, Agent, or Firm—Ostrolenk, Faber, Gerb & Soffen

[57] CLAIM

The ornamental design for a toy piano, as shown and described.

DESCRIPTION

FIG. 1 is a front elevational view of a toy piano showing my new design;
FIG. 2 is a left side elevational view thereof;
FIG. 3 is a right side elevational view thereof;
FIG. 4 is a top plan view thereof;
FIG. 5 is a bottom plan view thereof;
FIG. 6 is a rear elevational view thereof;
FIG. 7 is a bottom plan view in an operating condition;
FIG. 8 is a bottom plan view in another operating condition; and,
FIG. 9 is a bottom plan view in still another operating condition.

[56] References Cited

U.S. PATENT DOCUMENTS

D. 184,444	2/1959	Lakin	D21/64
D. 217,687	5/1970	Doe	D21/64
D. 255,370	6/1980	Hayama et al.	D21/64
D. 258,899	4/1981	Hayama et al.	D21/64

OTHER PUBLICATIONS

A catalog including "C (Xylophano)" issued 1992/1993 by Early Learning Centre—2 pages.

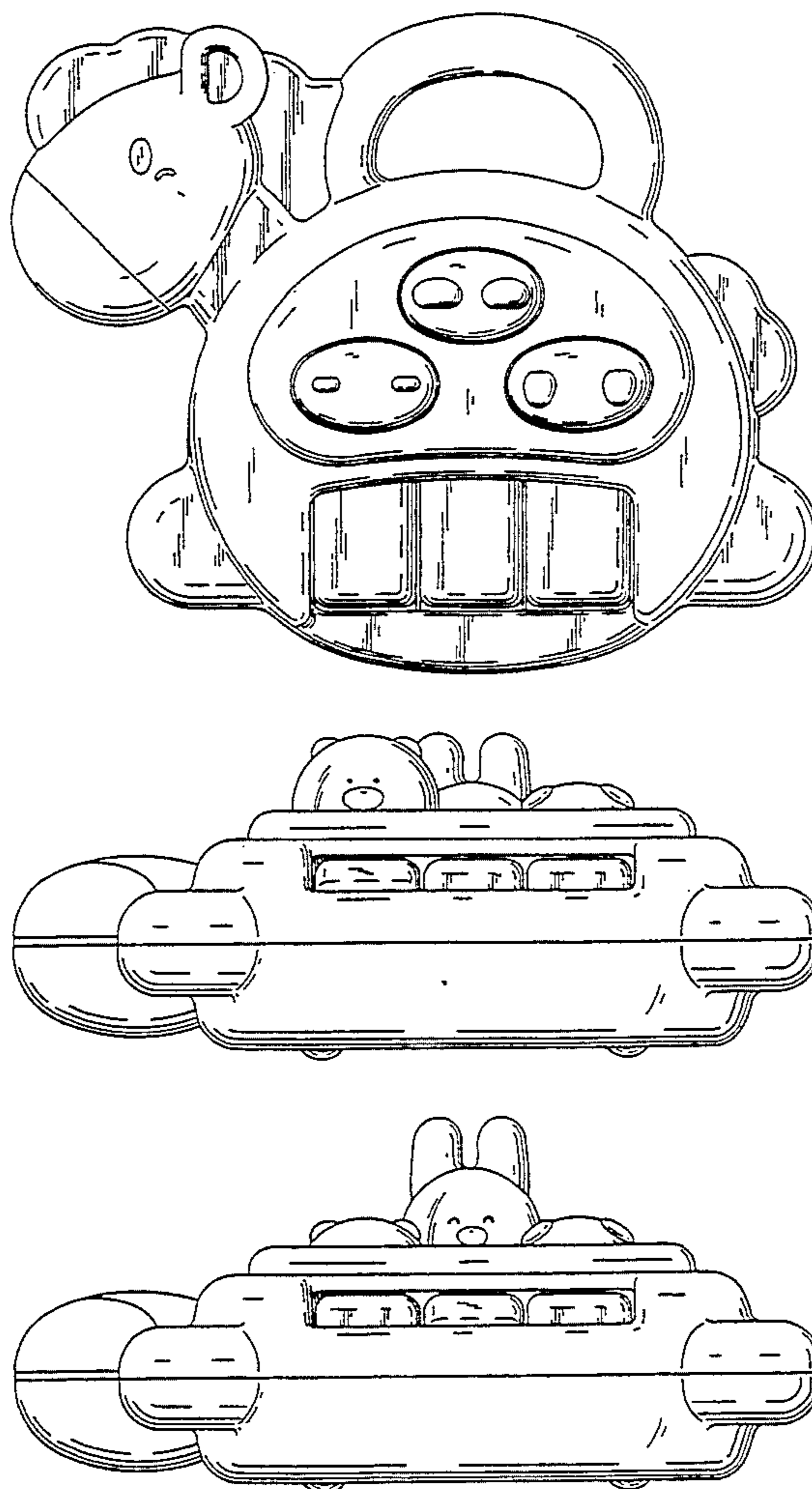


Fig. 1

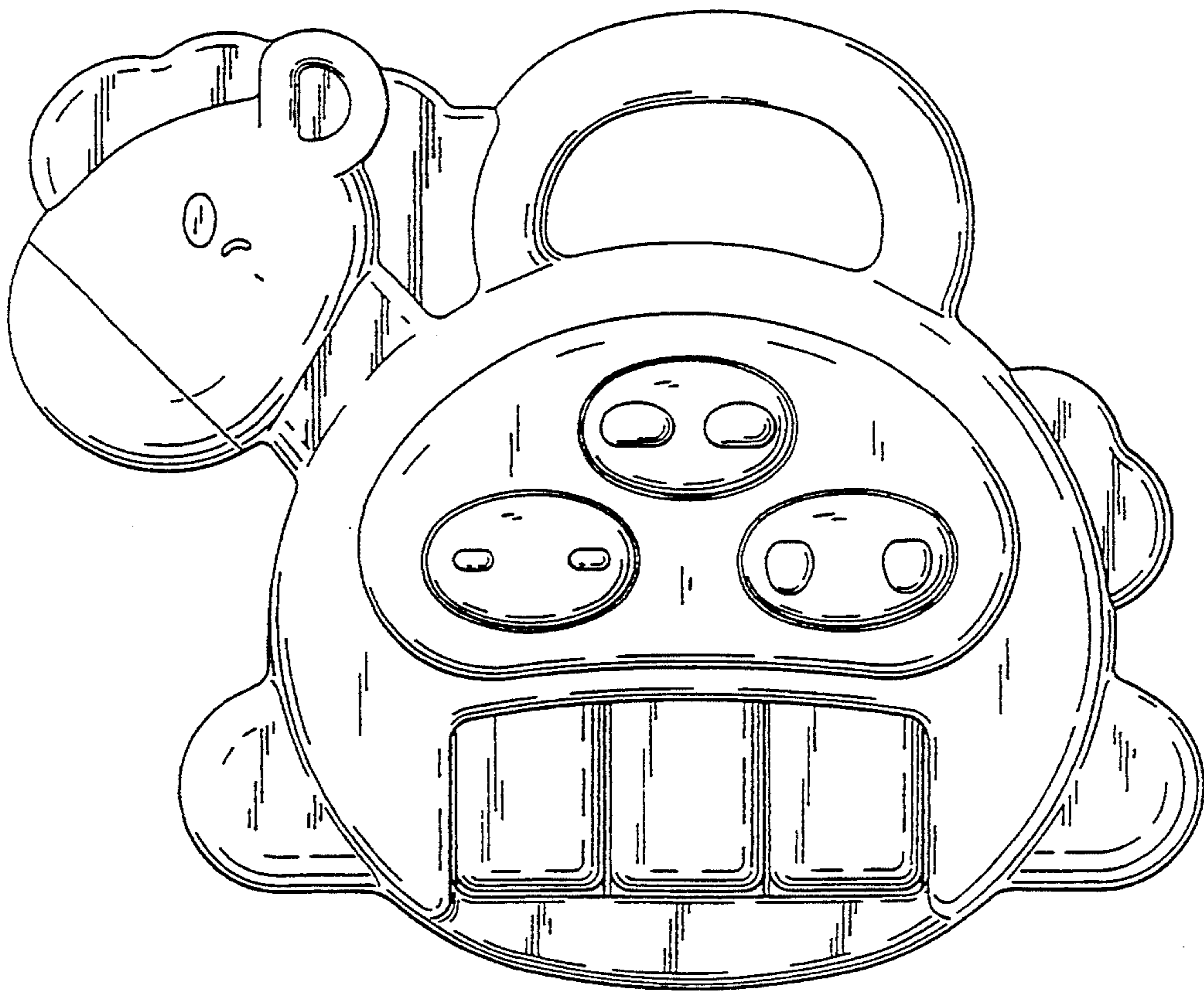


Fig. 2

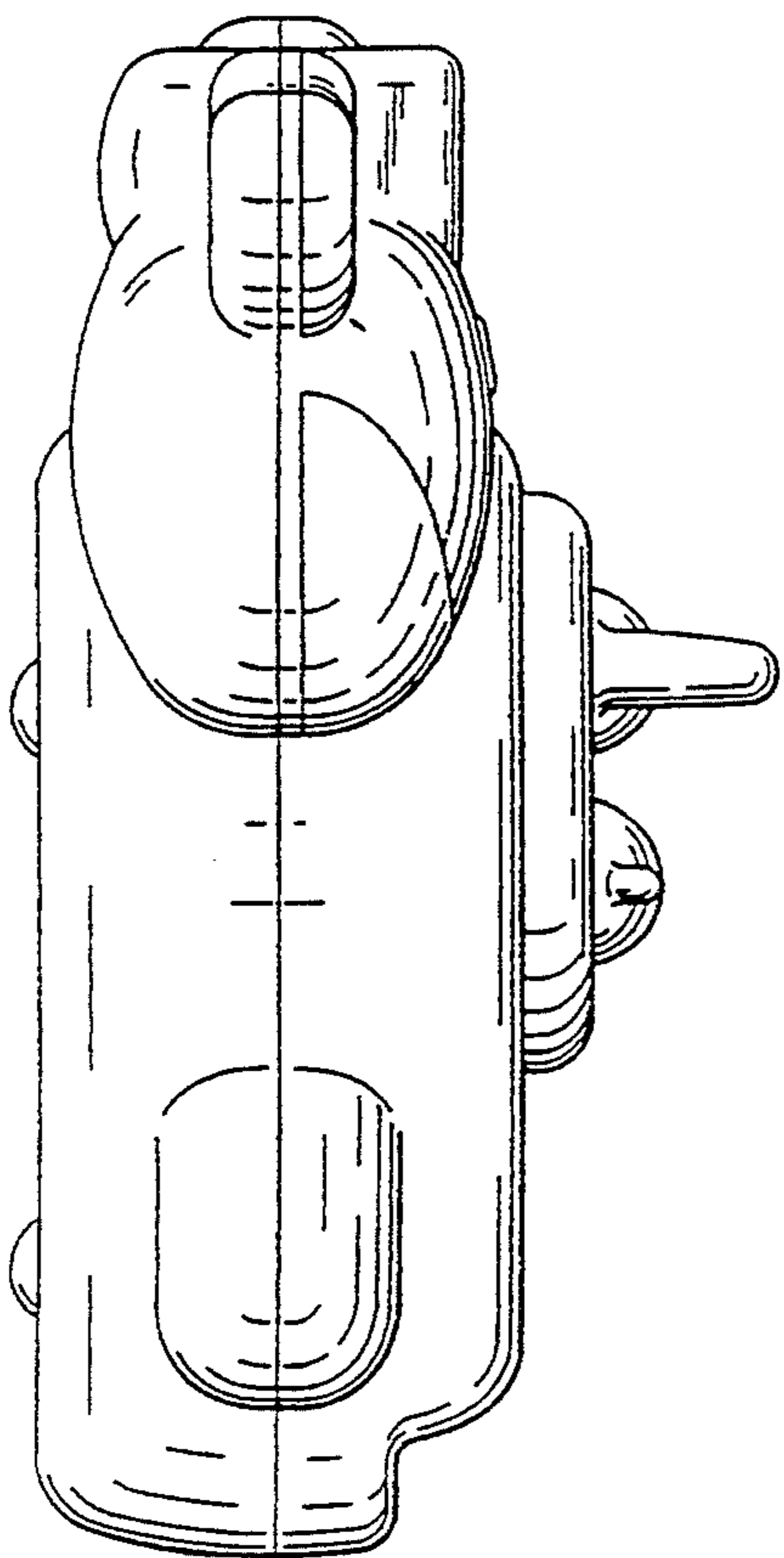


Fig. 3

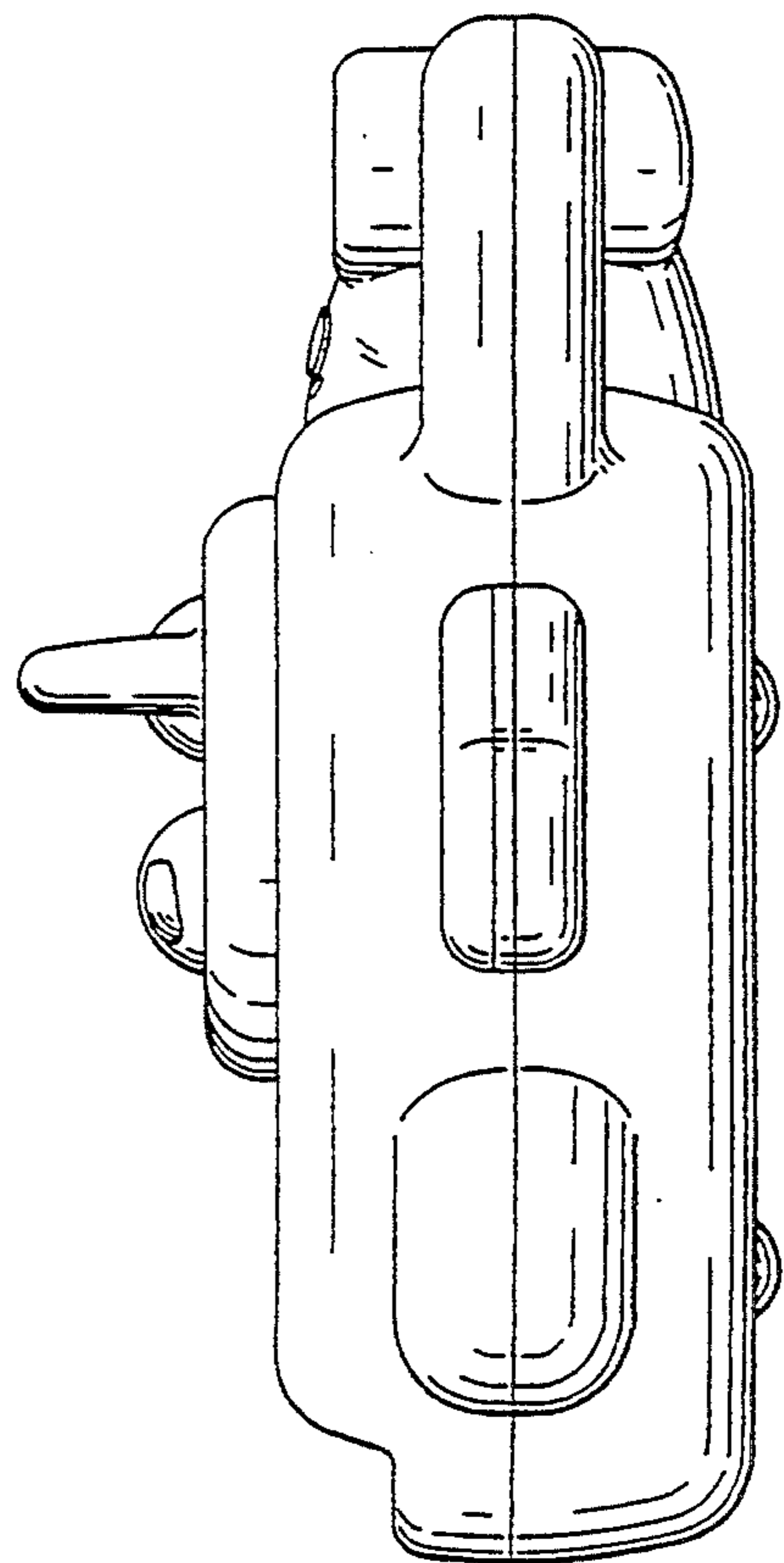


Fig. 4

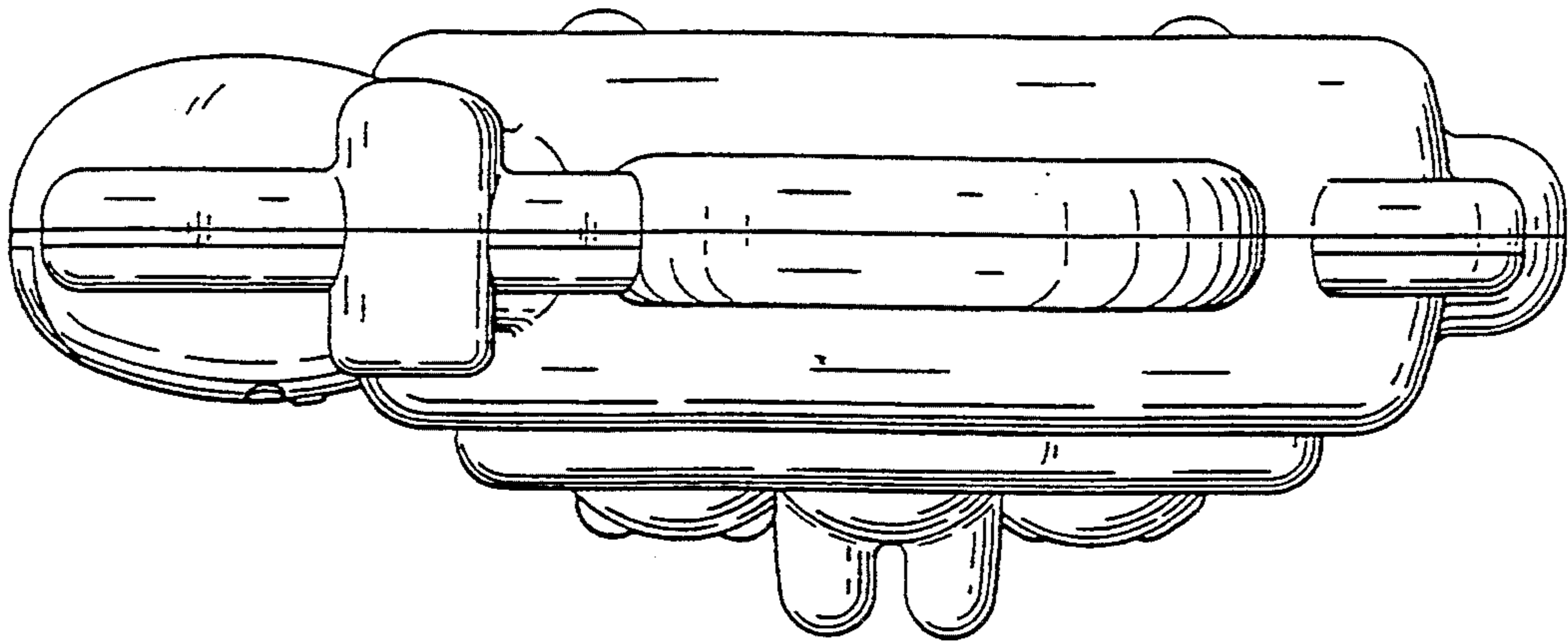


Fig. 5

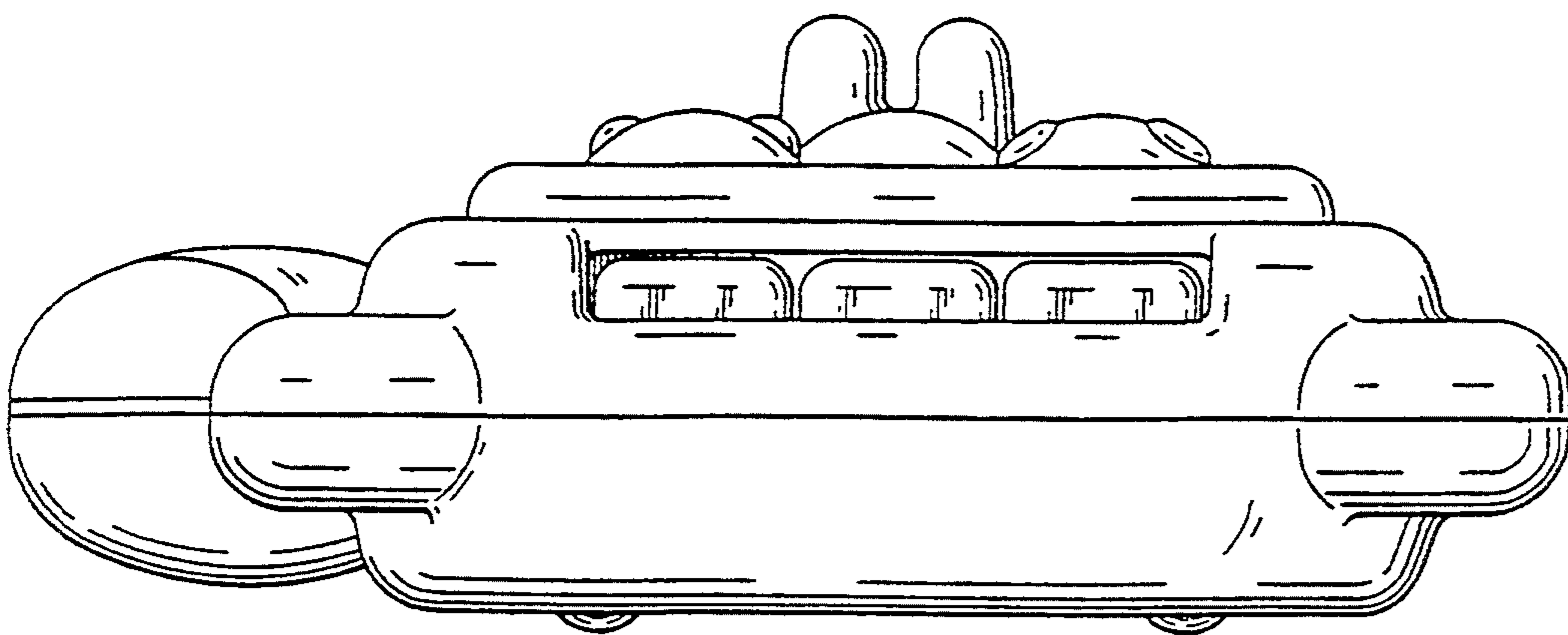


Fig. 6

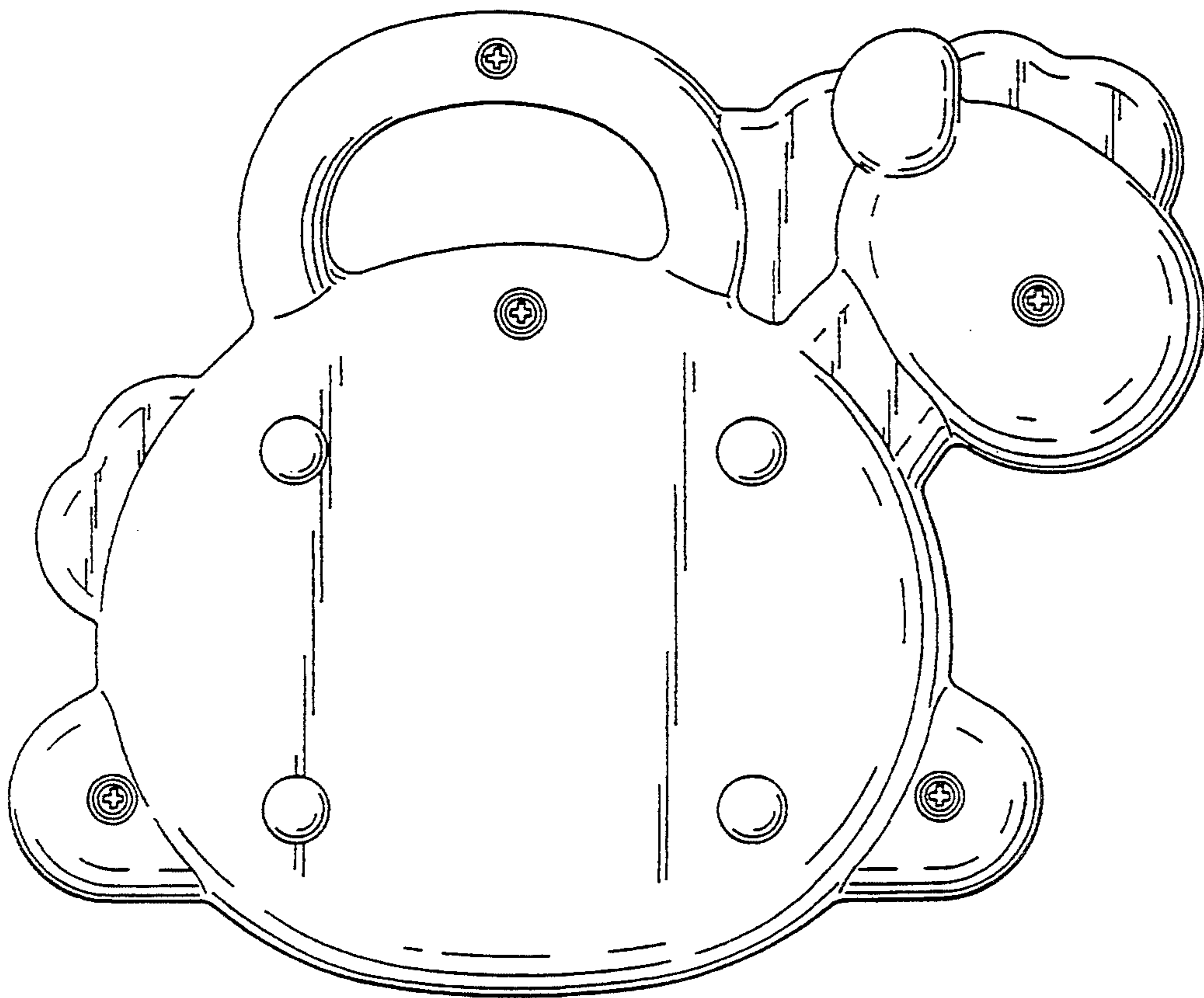


Fig. 7

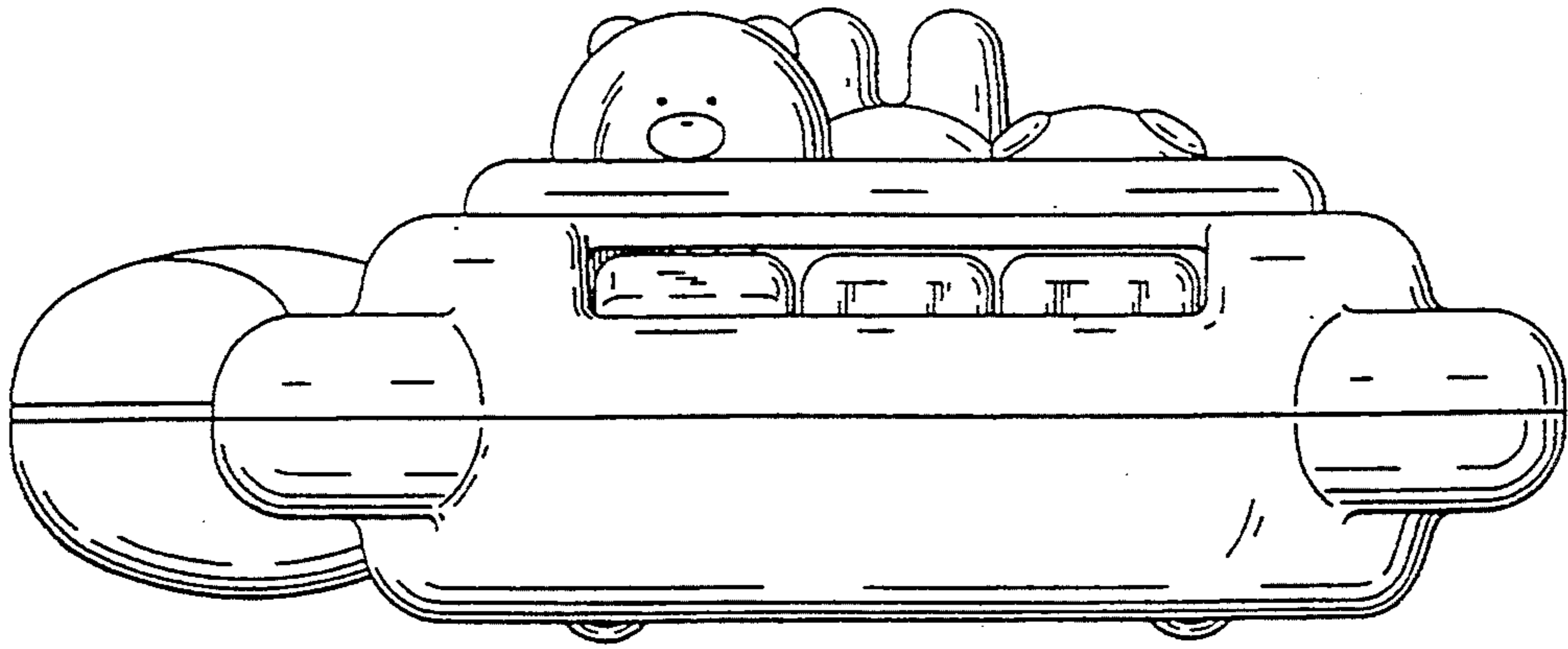


Fig. 8

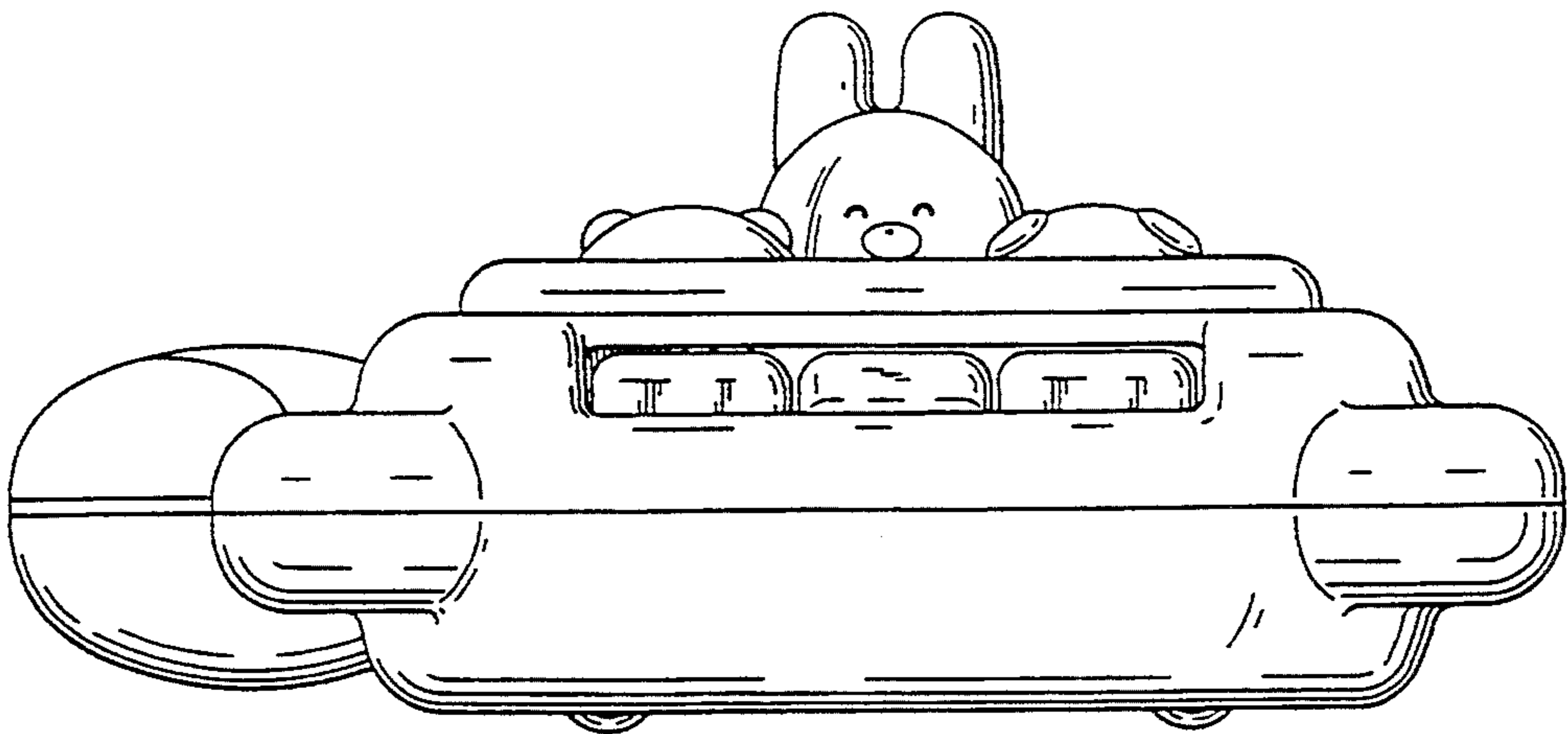


Fig. 9

