



US00D361786S

United States Patent [19]

[11] Patent Number: Des. 361,786

Yang

[45] Date of Patent: ** Aug. 29, 1995

[54] PUNCH
[76] Inventor: **Gee I. Yang**, 5Fl., No. 412-12, 2 Sec.,
Chung Shan Rd., Tai Peiping,
Taichung, Taiwan

2,494,836 1/1950 Segal 83/618 X
3,073,199 1/1963 Yerkes 83/167 X
3,176,570 4/1965 Gaya 83/618 X
4,688,457 8/1987 Neilsen et al. 83/468

[**] Term: **14 Years**

OTHER PUBLICATIONS

Jacobs Gardner Office Products, ©1991 see p. 788;
item H upper right and p. 789-item A, upper left.

[21] Appl. No.: **22,564**

Primary Examiner—Martie Thompson

[22] Filed: **May 9, 1994**

[52] U.S. Cl. **D19/72; D19/65**

[58] Field of Search D8/98; D19/65, 72, 95,
D19/99, 100; 83/166, 167, 454, 465, 467, 468,
560, 588, 618, 620, 633, 698

[57] CLAIM

The ornamental design for a punch, as shown.

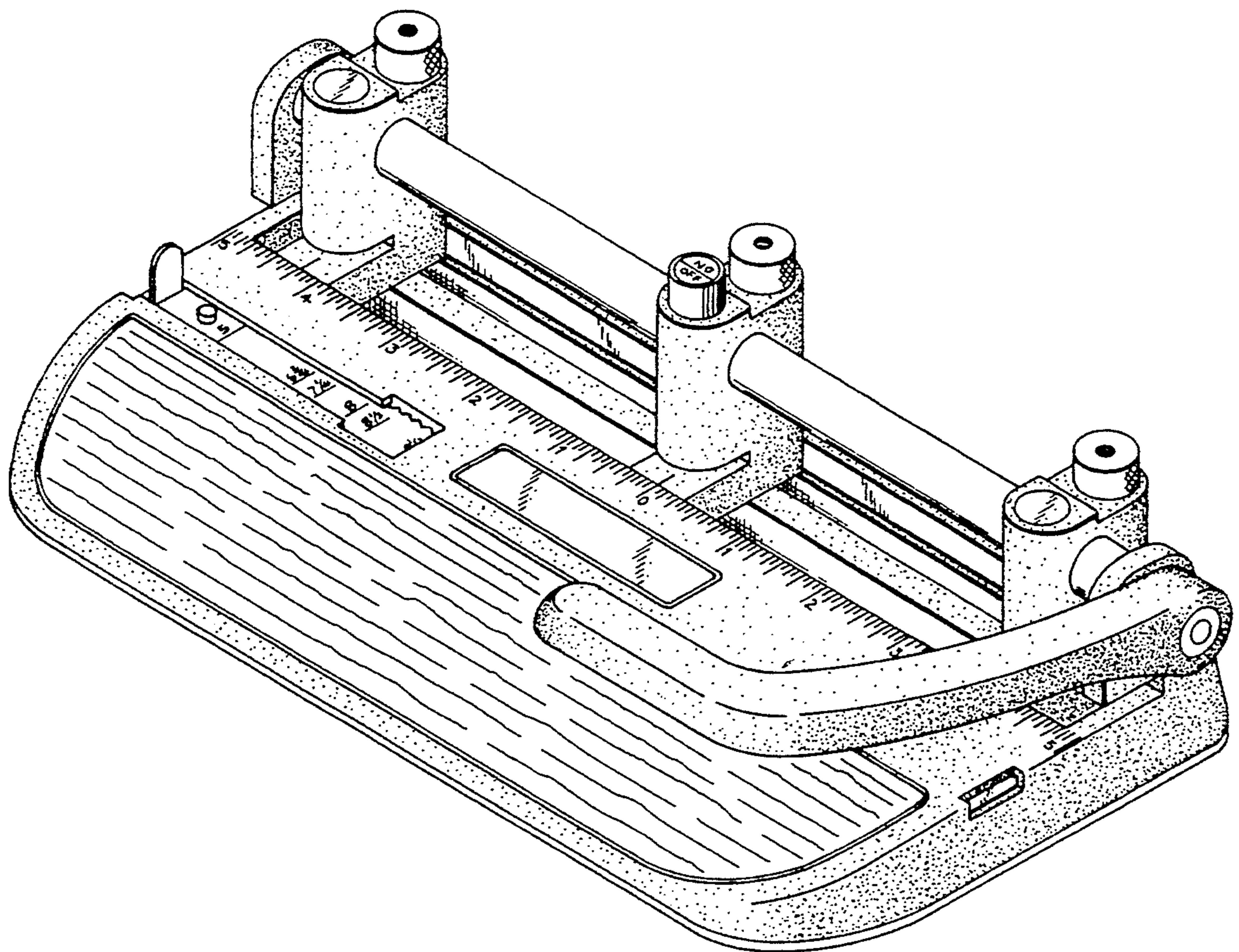
[56] References Cited

DESCRIPTION

U.S. PATENT DOCUMENTS

D. 283,035 3/1986 Goertz D19/72
1,541,188 6/1925 Salt 83/618
2,102,292 12/1937 Louis et al. 83/618 X
2,335,552 11/1943 Onger 83/618 X
2,405,150 8/1946 Kern 83/618

FIG. 1 is a perspective view;
FIG. 2 is a front view;
FIG. 3 is a rear view;
FIG. 4 is a left view;
FIG. 5 is a right view;
FIG. 6 is a top view; and,
FIG. 7 is a bottom view.



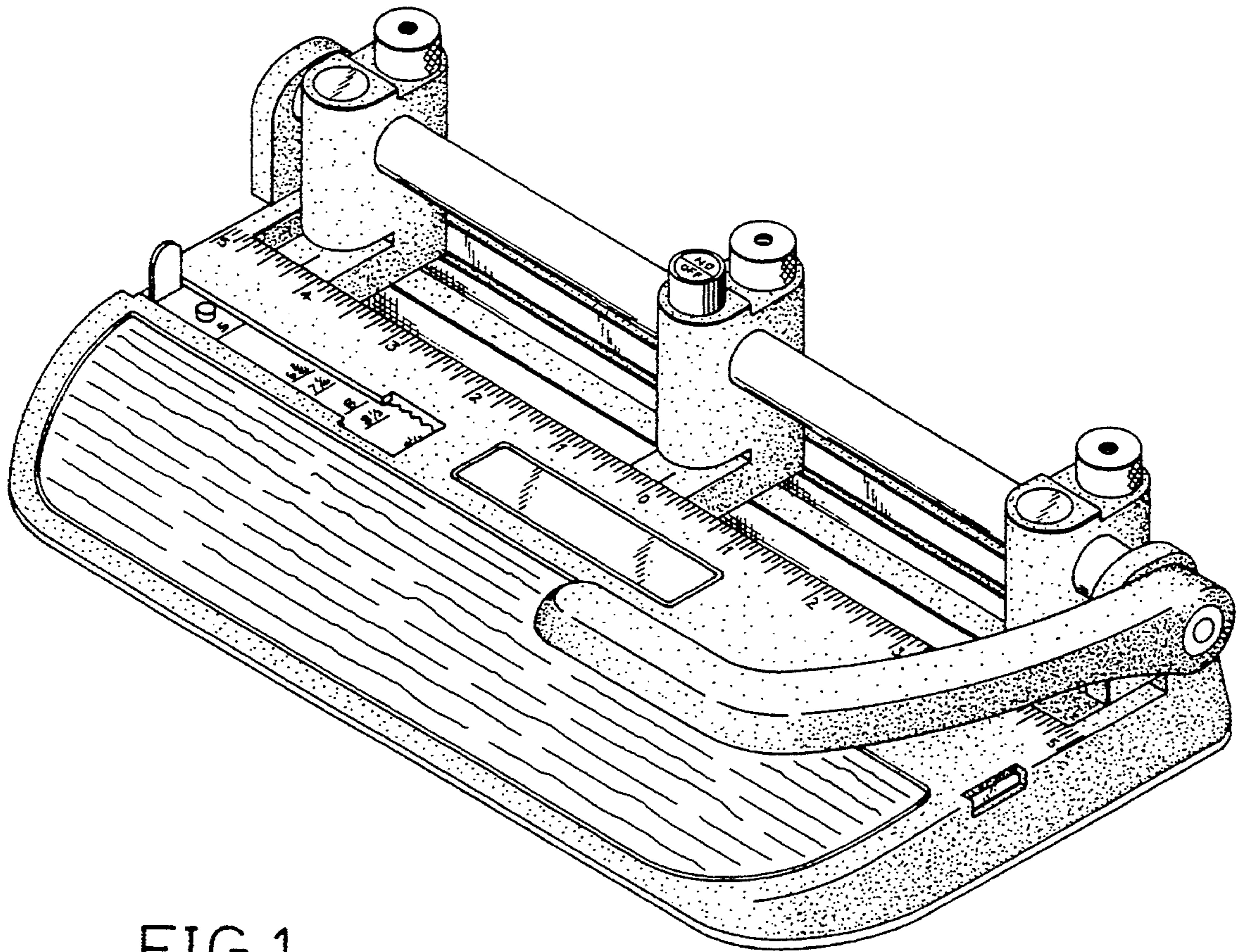


FIG.1

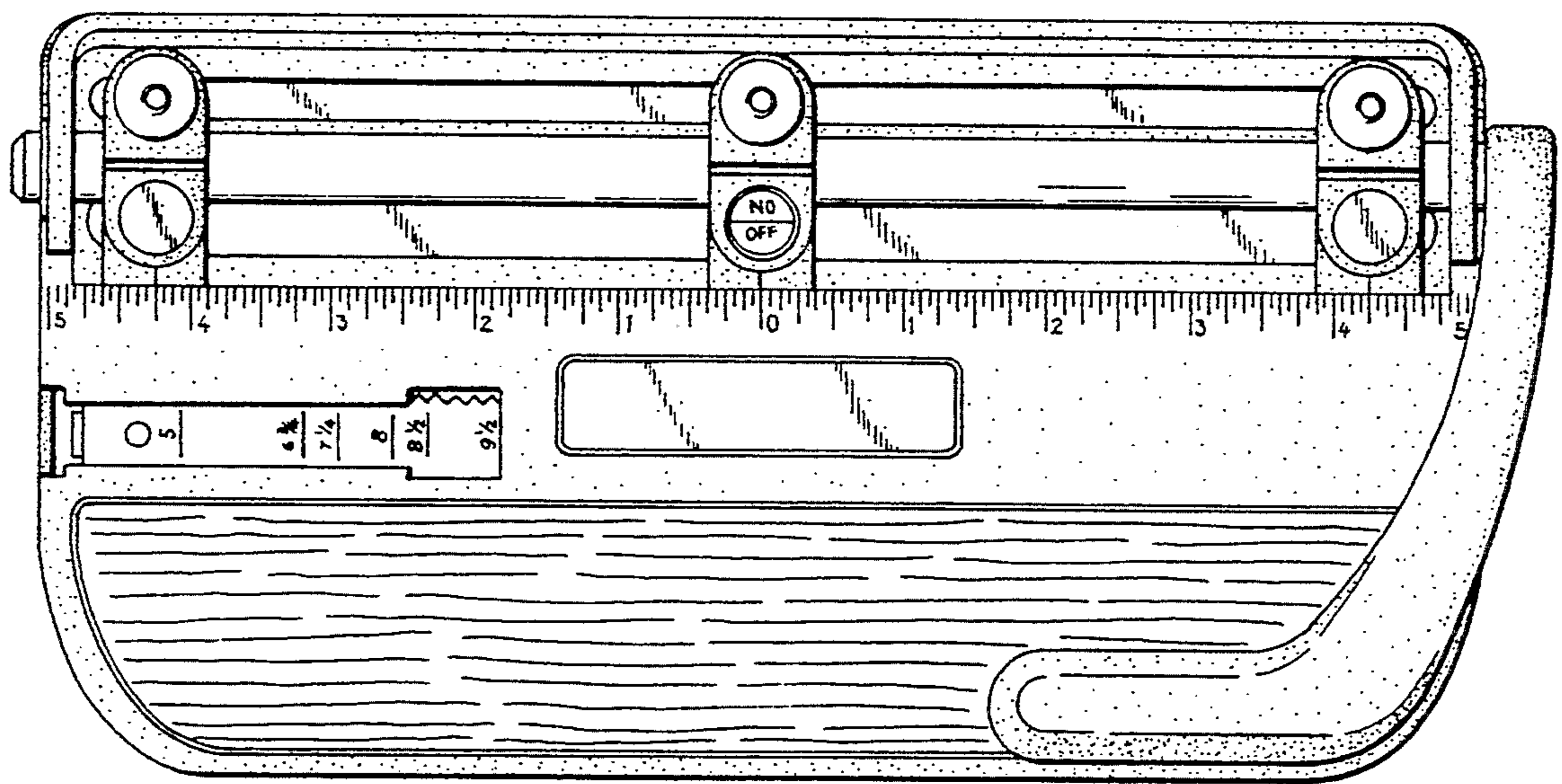


FIG. 6

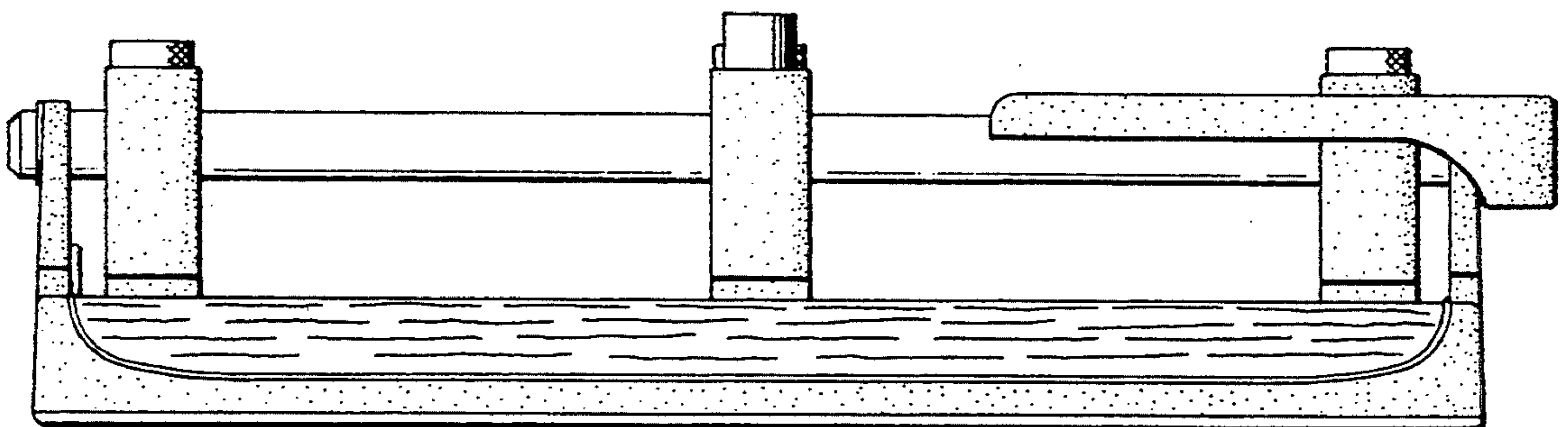


FIG. 2

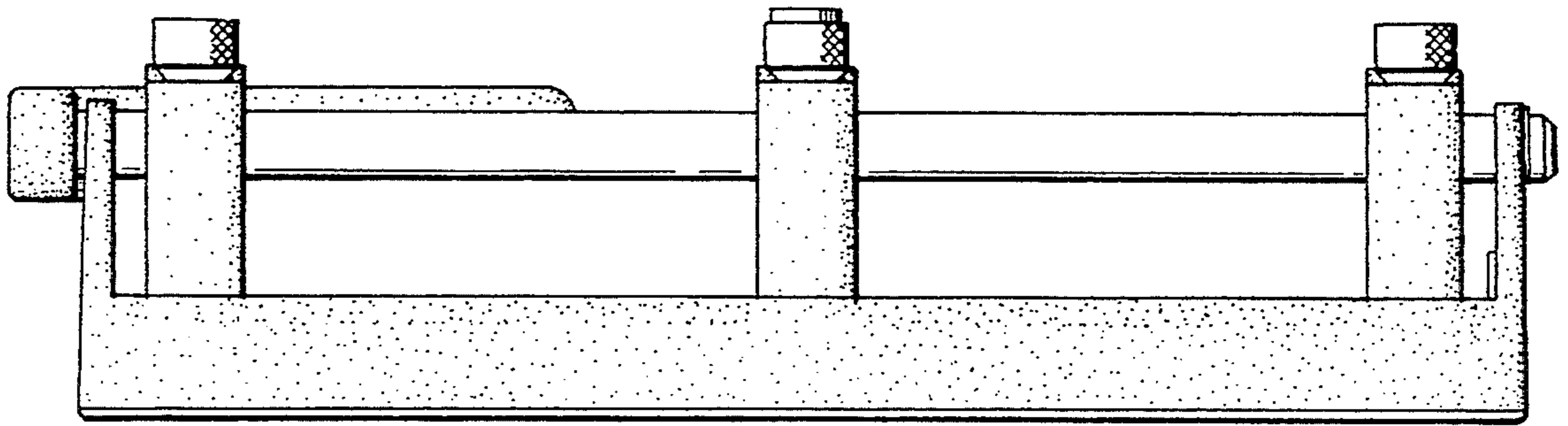


FIG. 3

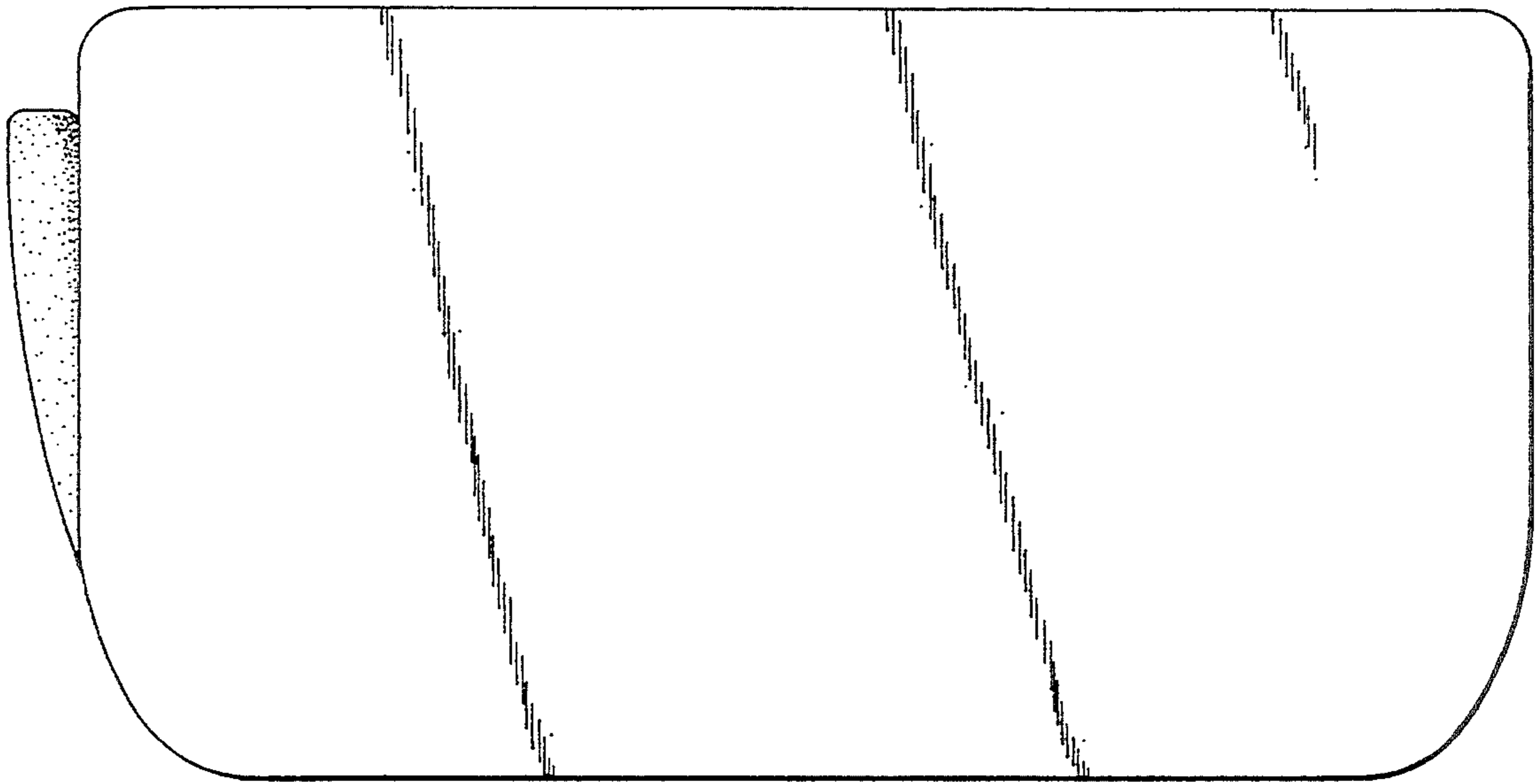


FIG. 7

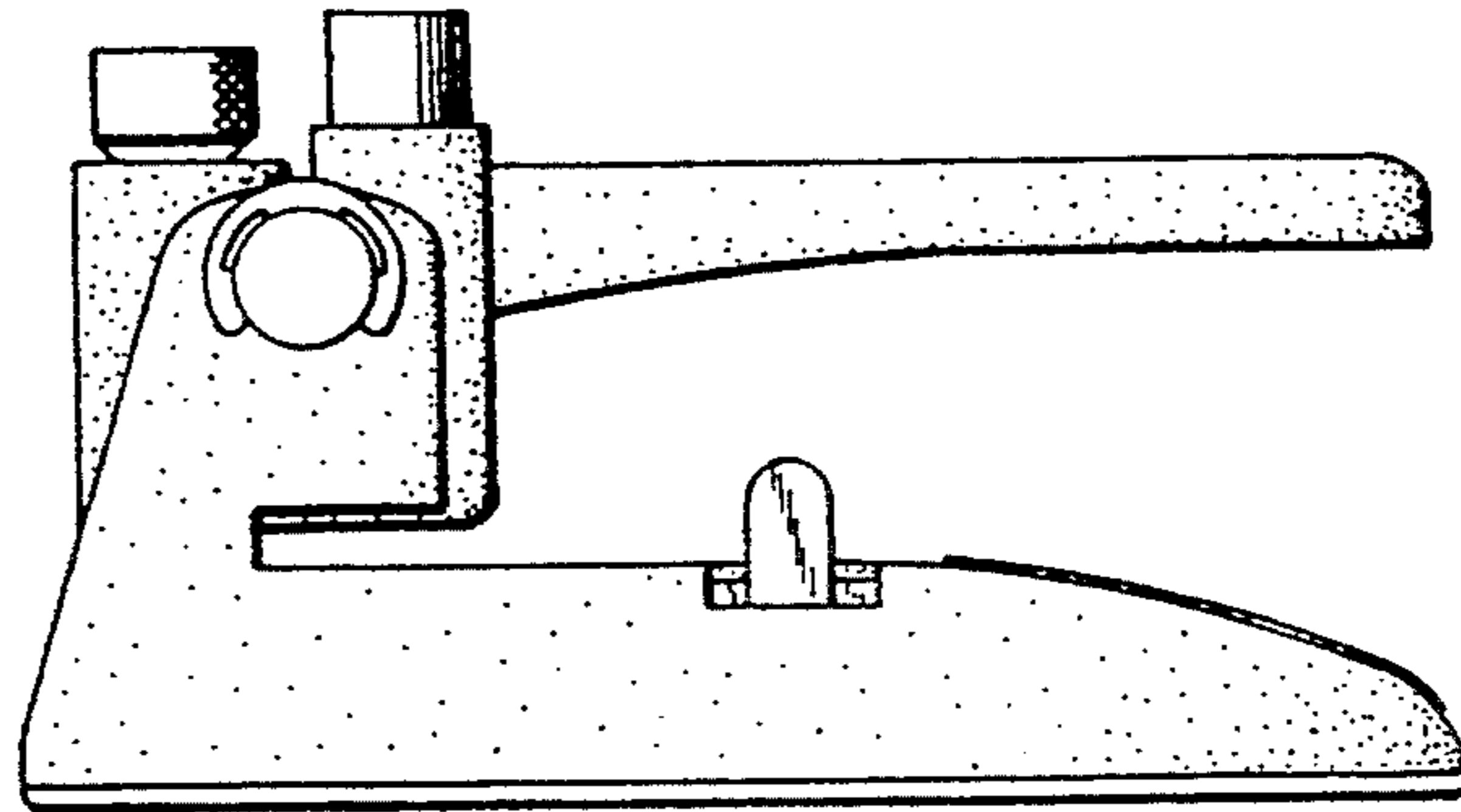


FIG. 4

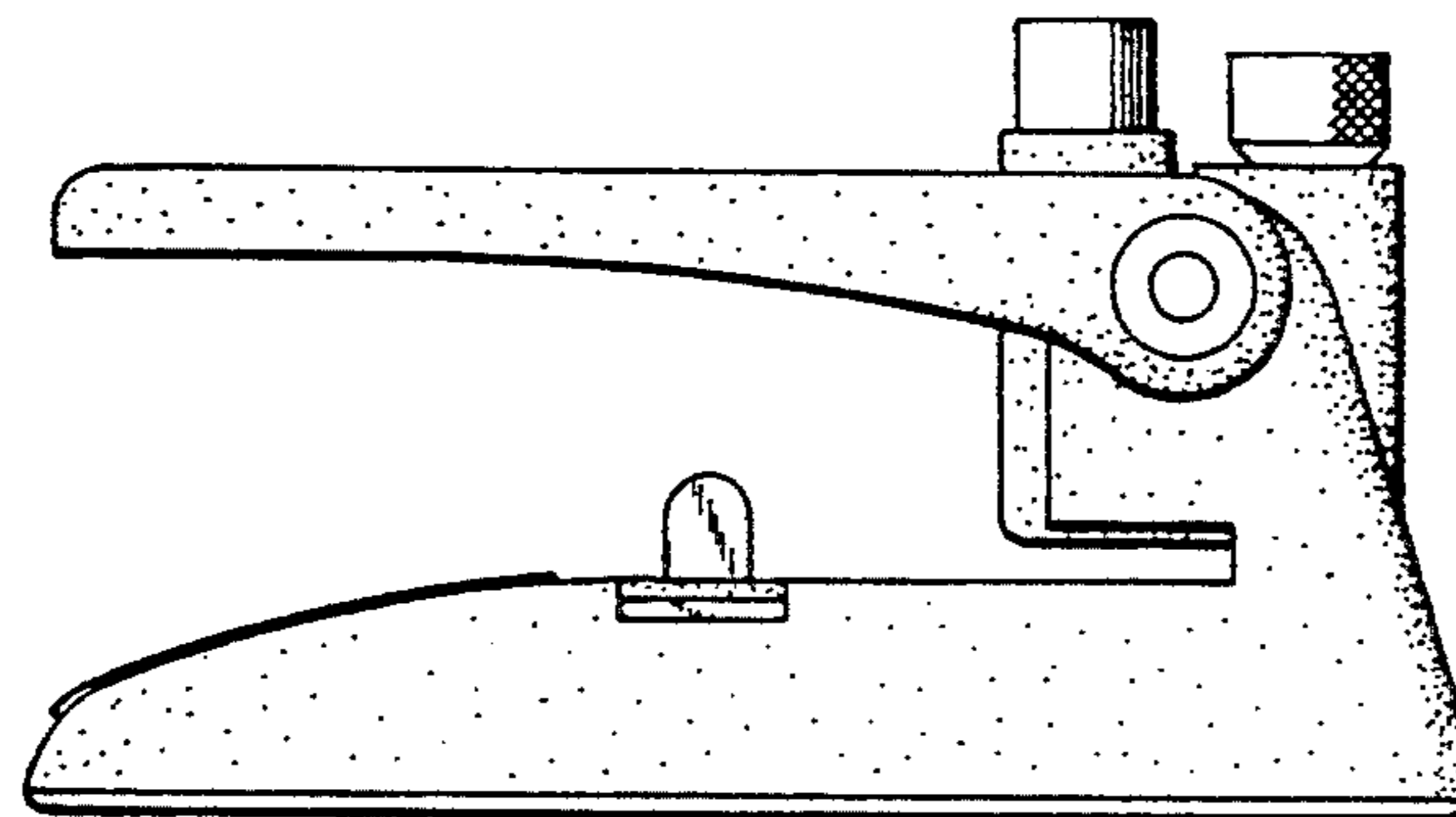


FIG. 5