



US00D361782S

United States Patent [19]

[11] Patent Number: Des. 361,782

Chung

[45] Date of Patent: ** Aug. 29, 1995

[54] POCKET NOTEBOOK

4,566,721 1/1986 Friedman et al. 281/31

[76] Inventor: **Won Y. Chung**, 250-1 1-dong,
Dapship-li, Dongdaemoon-gu,
Seoul, Rep. of Korea

FOREIGN PATENT DOCUMENTS

11652 of 1912 United Kingdom D19/L281 27

[**] Term: 14 Years

Primary Examiner—A. Hugo Word
Assistant Examiner—Pamela Burgess
Attorney, Agent, or Firm—Burns, Doane, Swecker &
Mathis

[21] Appl. No.: 12,120

[22] Filed: Aug. 23, 1993

[57] CLAIM

[30] Foreign Application Priority Data

The ornamental design for a pocket note-book, as shown and described.

Feb. 23, 1993 [KR] Rep. of Korea 3011/93

[52] U.S. Cl. D19/26

[58] Field of Search D19/26, 27, 28, 29;
281/31, 33, 29, 15.1; 40/904; D3/247; 434/339,
317; 283/63.1, 64

DESCRIPTION

[56] References Cited

U.S. PATENT DOCUMENTS

- D. 284,390 1/1986 Draddy D19/26
- D. 287,254 12/1986 Story D19/26
- 303,346 8/1884 Vernon 281/31
- D. 345,859 4/1994 Gribovsky D3/247
- 708,525 9/1902 Buskirk 281/31
- 3,553,864 1/1968 Karlyn et al. 40/904 X

FIG. 1 is a front perspective view of a pocket notebook showing my new design;
FIG. 2 is an enlarged scale top plan view thereof;
FIG. 3 is a front elevation view (rear elevation view in symmetry) thereof;
FIG. 4 is a right-side elevation view thereof;
FIG. 5 is a bottom plan view thereof;
FIG. 6 is a left-side elevation view thereof; and,
FIG. 7 is a reduced scale front elevational view thereof, the broken lines shown are for illustrative purposes only and form no part of the claimed design.

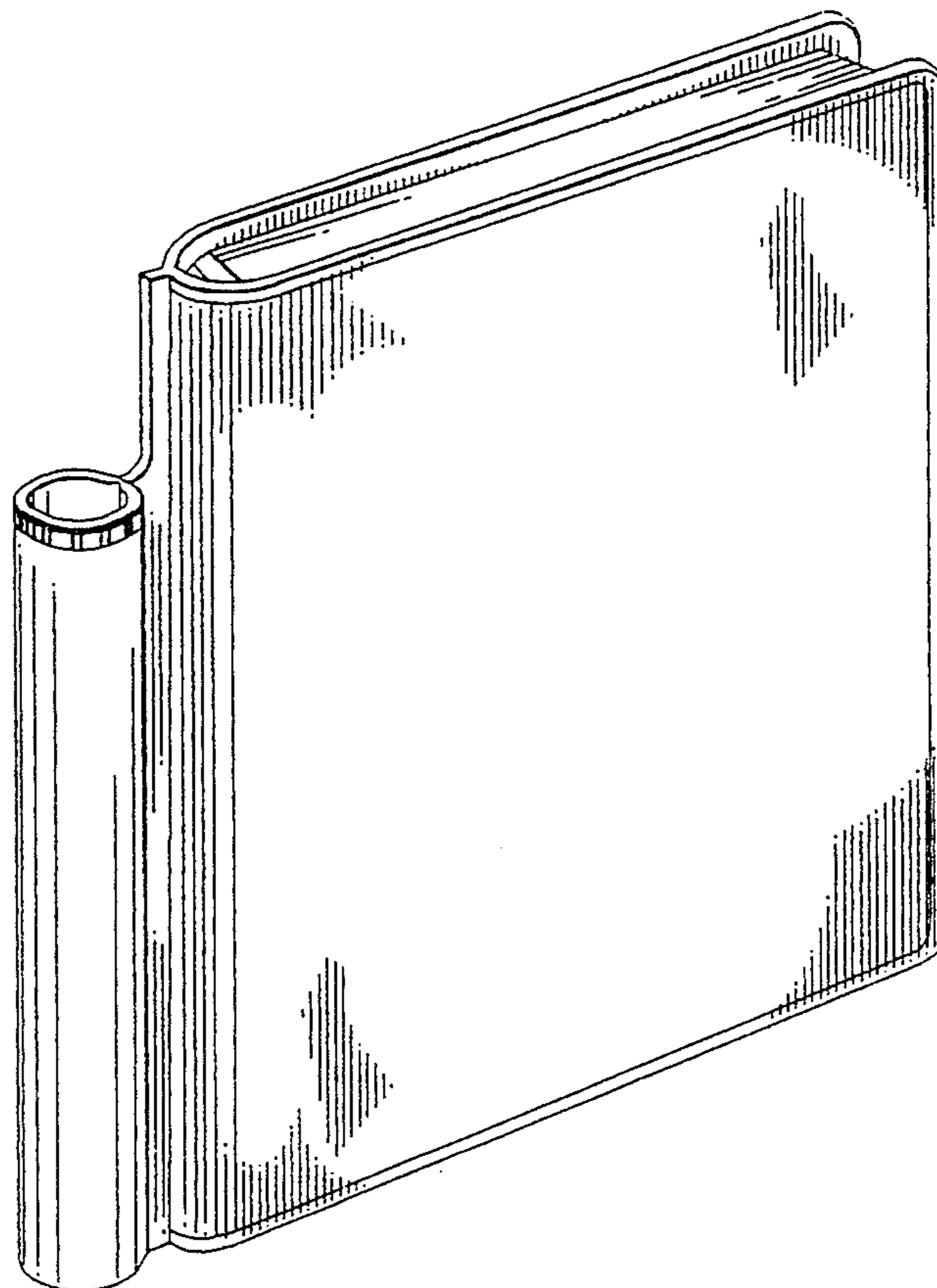


Fig.1

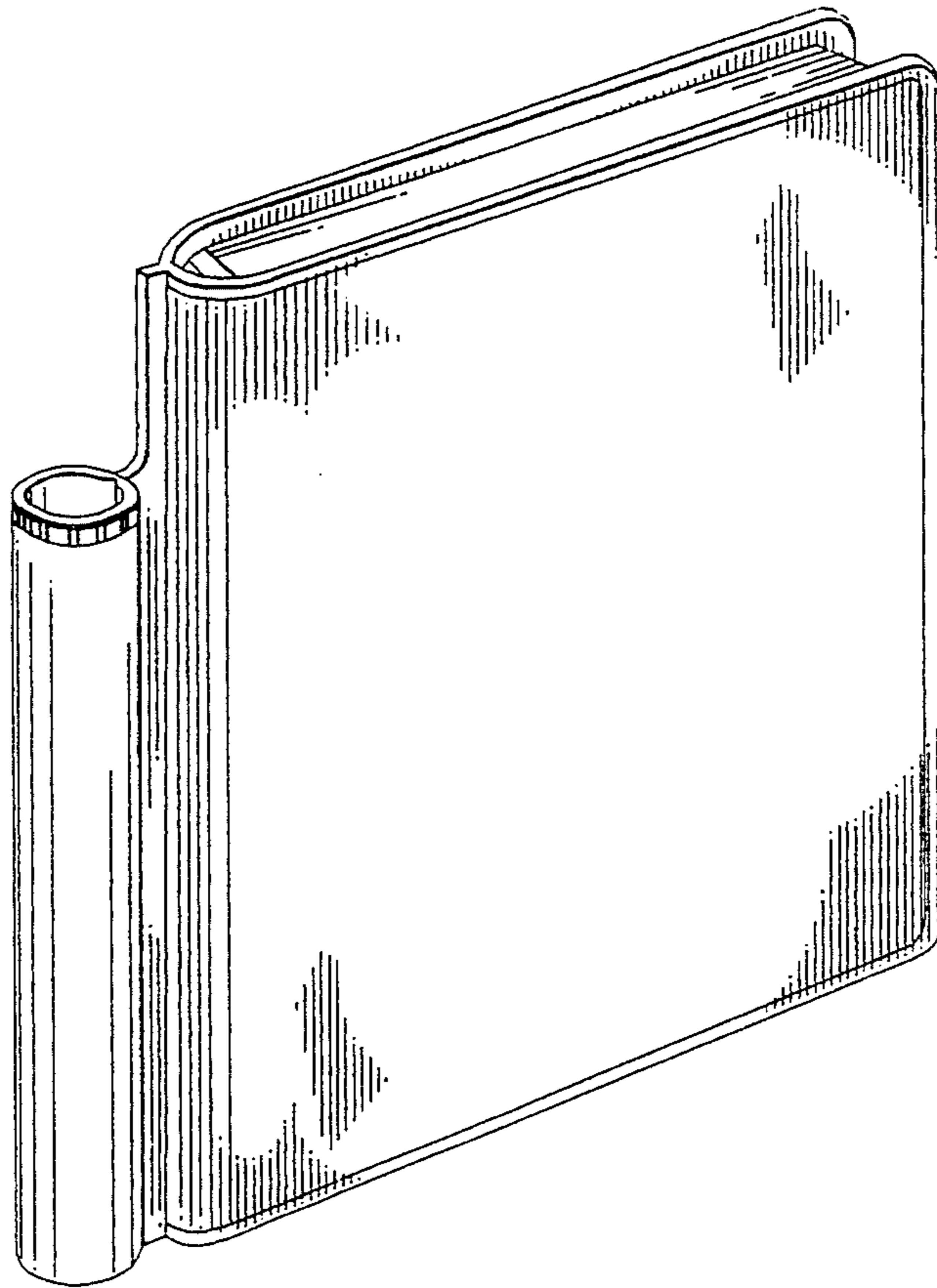


Fig.2

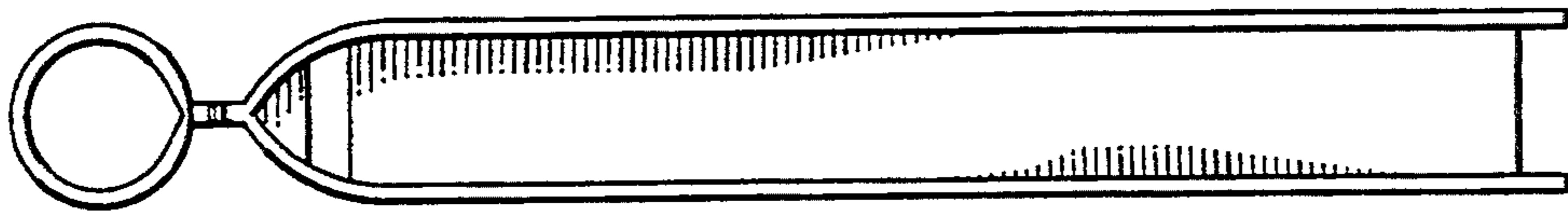


Fig.5

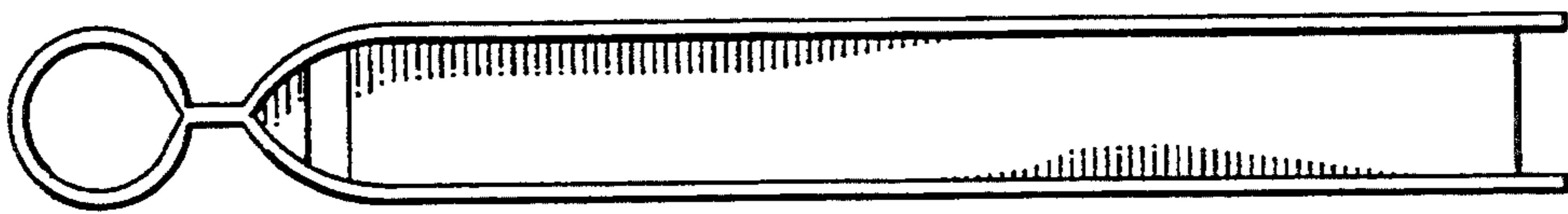


Fig.3

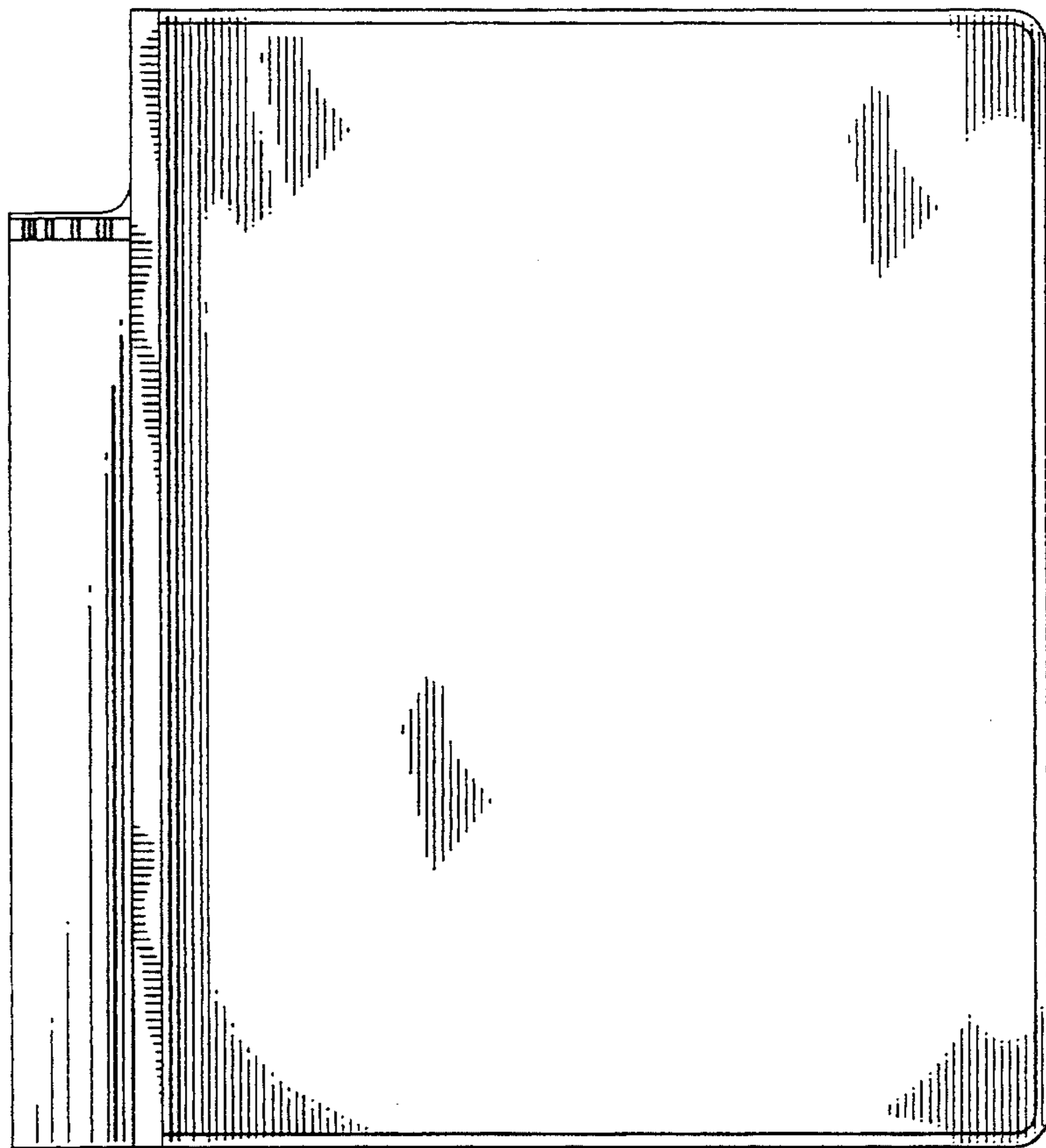


Fig.6



Fig.4

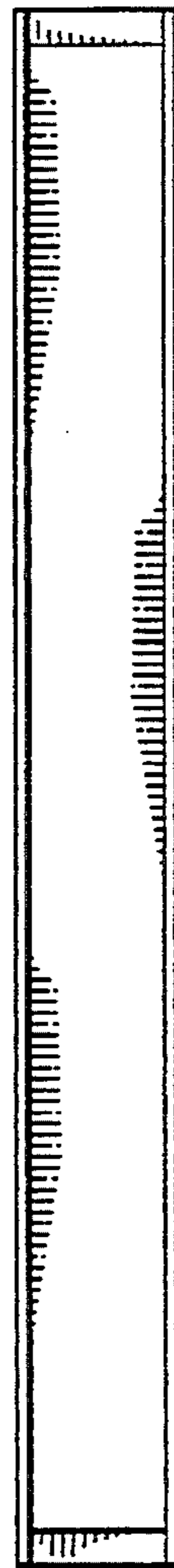


Fig.7

