



US00D361781S

United States Patent [19]

[11] Patent Number: **Des. 361,781**

Tsuchida et al.

[45] Date of Patent: **** Aug. 29, 1995**

[54] **PRINTER**

D. 327,289 6/1992 Iuester D18/55
D. 332,798 1/1993 Crowe et al. D18/55

[75] Inventors: **Makoto Tsuchida; Seiichi Miyaji;
Kaneatsu Uchiyama**, all of Kawasaki,
Japan

FOREIGN PATENT DOCUMENTS

8900464 9/1989 Germany D18/1.
5940889 8/1986 Japan D18/8 55
6135358 3/1988 Japan D18/8 55
6014682 10/1988 Japan D18/8 55

[73] Assignee: **Fujitsu Limited**, Kawasaki, Japan

[**] Term: **14 Years**

OTHER PUBLICATIONS

Genicom 5010 Laser Printer brochure; p. 5.
Damark Catalog; p. 45; Panasonic Laser Printer (top
right corner).
Mannisman Tally brochure; Apr. 1993; for MT908
Laser Printer; Cover photograph.
Canon LBP-II Laser Beam Printer brochure; ©1987;
Cover photograph.
Sanyo SPX-716 Printer brochure; 1988.
Global Computer Supplies Catalog; Mar. 1988; p. 17;
Hewlett Packard Laser Jet Series II printer.
Dell Catalog; p. 16; Epson Laser EPL-8000 Printer.

[21] Appl. No.: **23,842**

[22] Filed: **Jun. 1, 1994**

Related U.S. Application Data

[62] Division of Ser. No. 15,507, Nov. 18, 1993, U.S. Pat.
No. Des. 350,152.

Foreign Application Priority Data

May 24, 1993 [JP] Japan 5-15020
[52] U.S. Cl. **D18/55**
[58] Field of Search D18/50, 54-55,
D18/36-37; 400/691-693, 690.1-690.3, 613,
613.1-613.4

Primary Examiner—Cathy Anne MacCormac
Attorney, Agent, or Firm—Staas & Halsey

[57] CLAIM

The ornamental design for a printer, as shown and de-
scribed.

[56] References Cited

U.S. PATENT DOCUMENTS

D. 274,823 7/1984 Leach et al. D18/54
D. 281,256 11/1985 Yamamoto D18/37
D. 287,728 1/1987 Hara D18/54
D. 290,967 7/1987 Mochizuki D18/54
D. 302,279 7/1989 Nagaya D18/54
D. 319,656 9/1991 Tashiro et al. D18/54
D. 320,406 10/1991 Tokuda D18/54
D. 321,002 10/1991 Tashiro et al. D18/54

DESCRIPTION

FIG. 1 is a perspective view of a printer as it would be
positioned vertically showing our new design;
FIG. 2 is a front elevational view thereof;
FIG. 3 is a top plan view thereof;
FIG. 4 is a bottom plan view thereof;
FIG. 5 is a right side elevational view thereof;
FIG. 6 is a left side elevational view thereof; and,
FIG. 7 is a rear elevational view thereof.

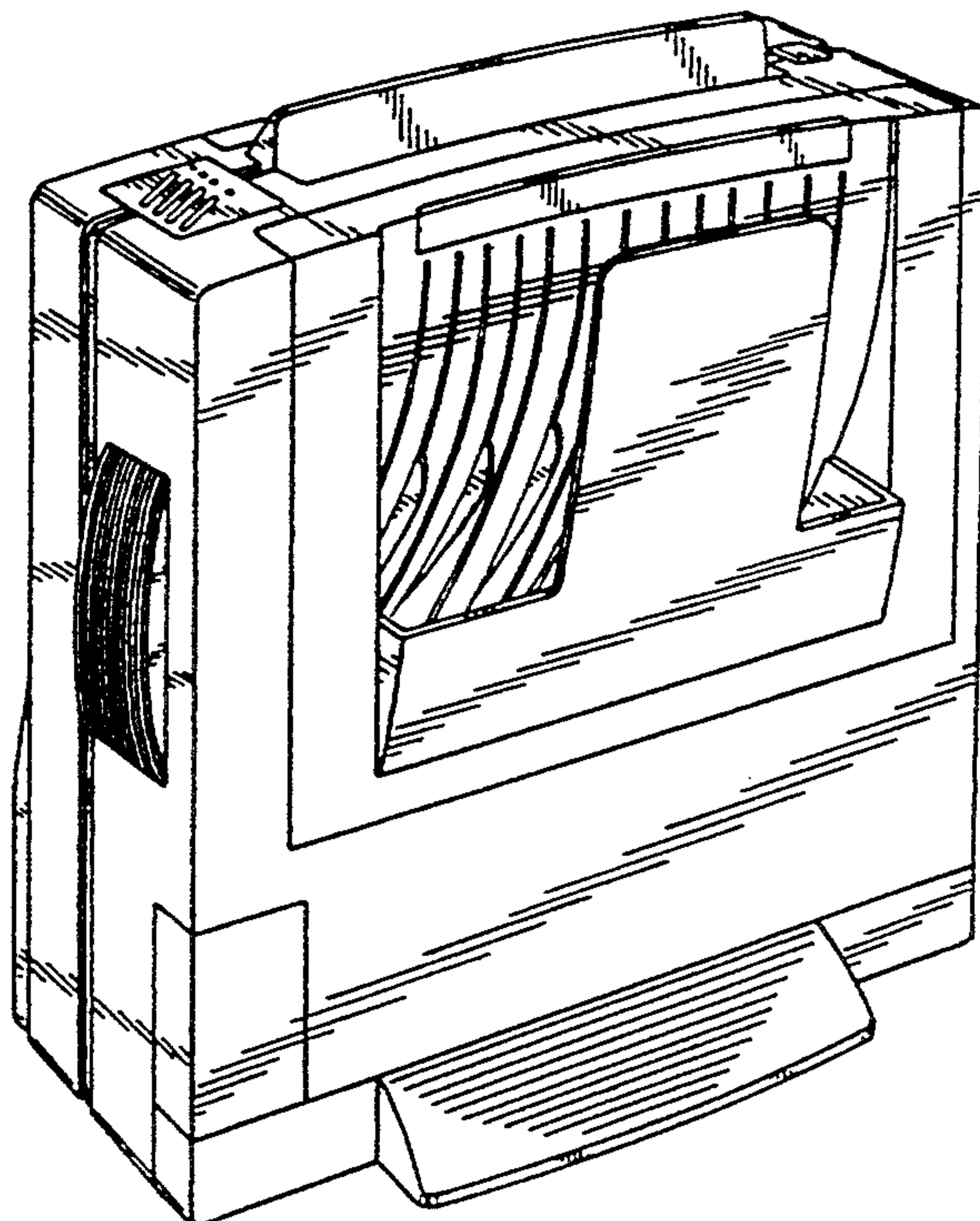


FIG. 1

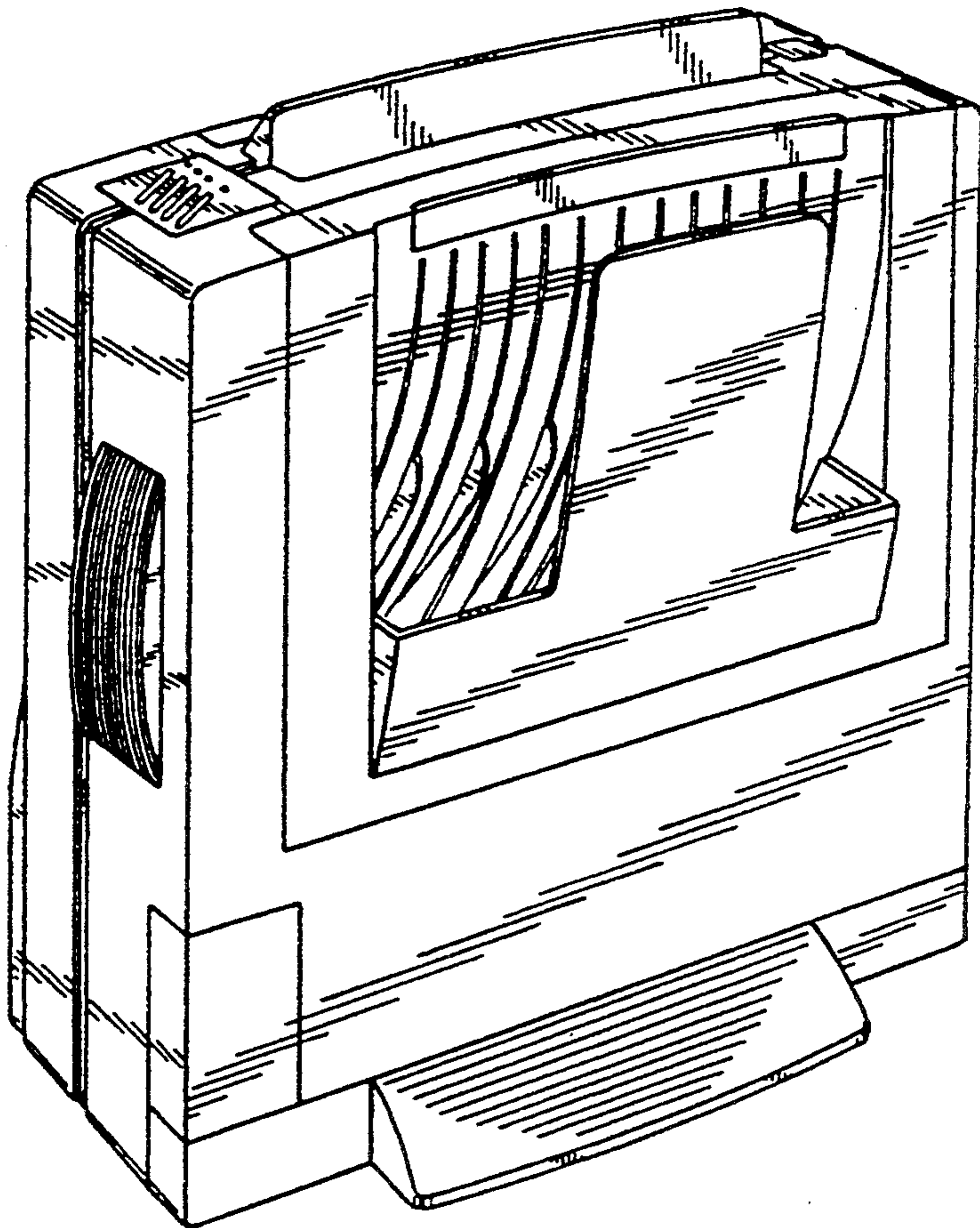


FIG. 2

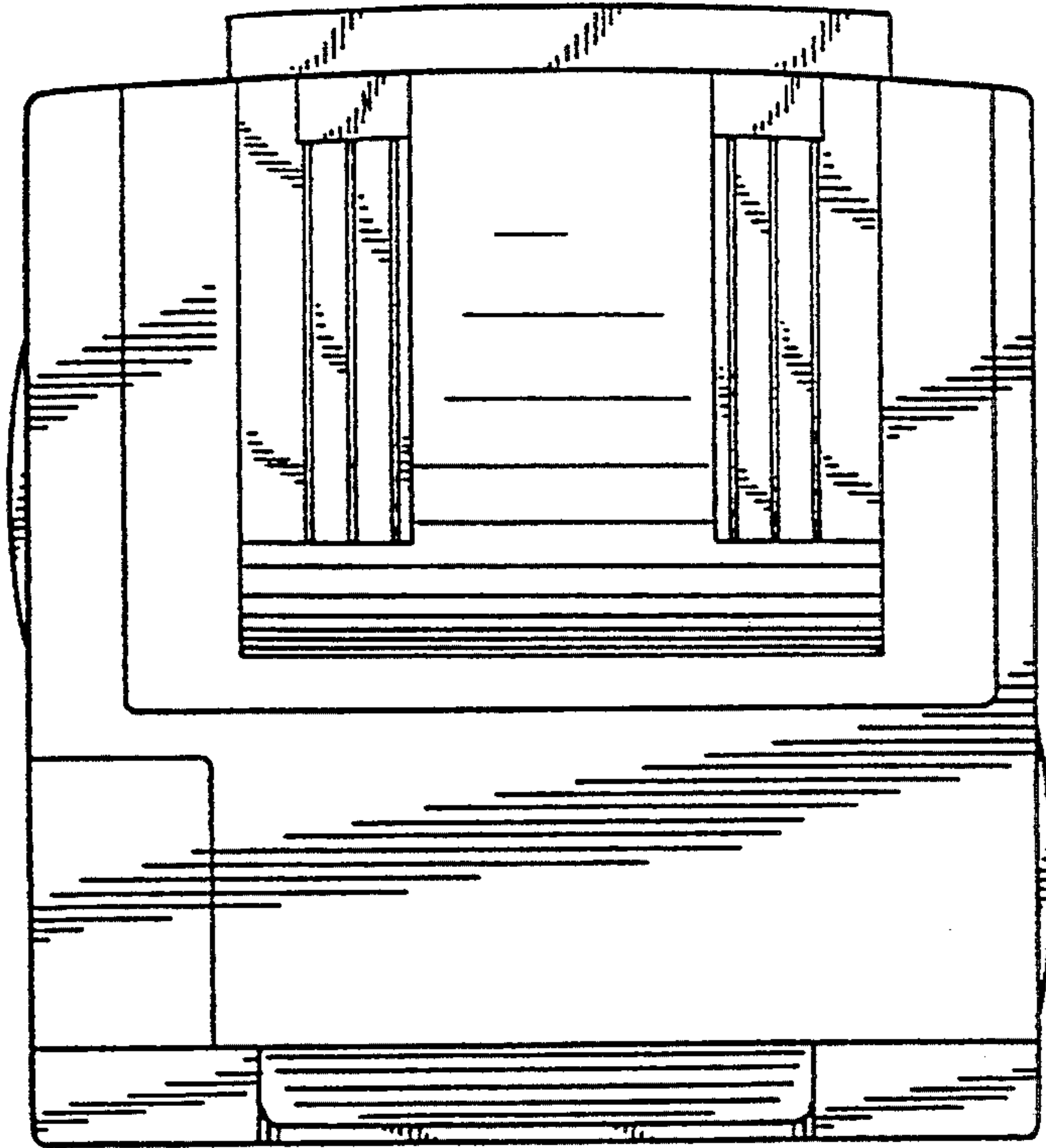


FIG. 3

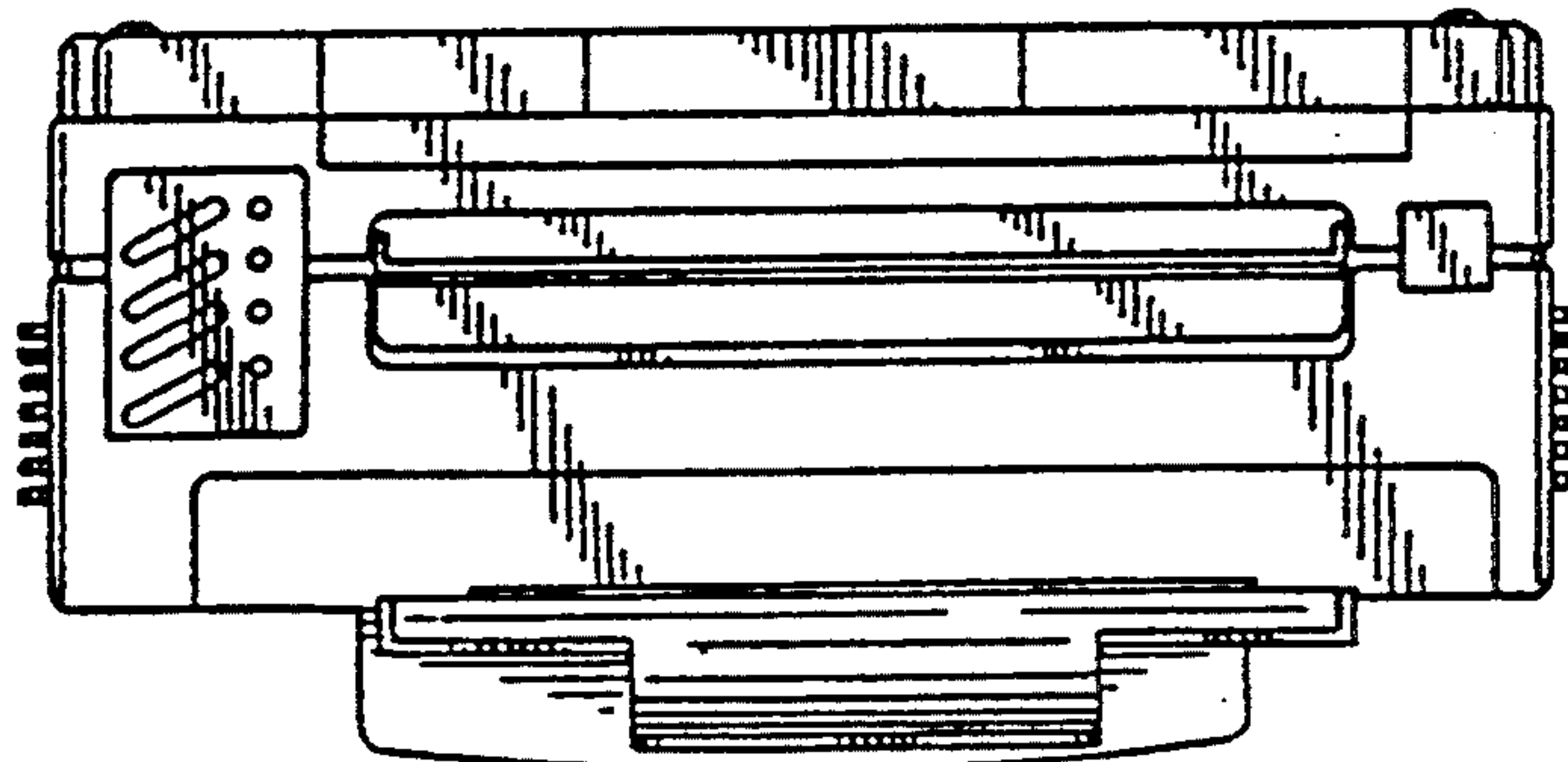


FIG. 4

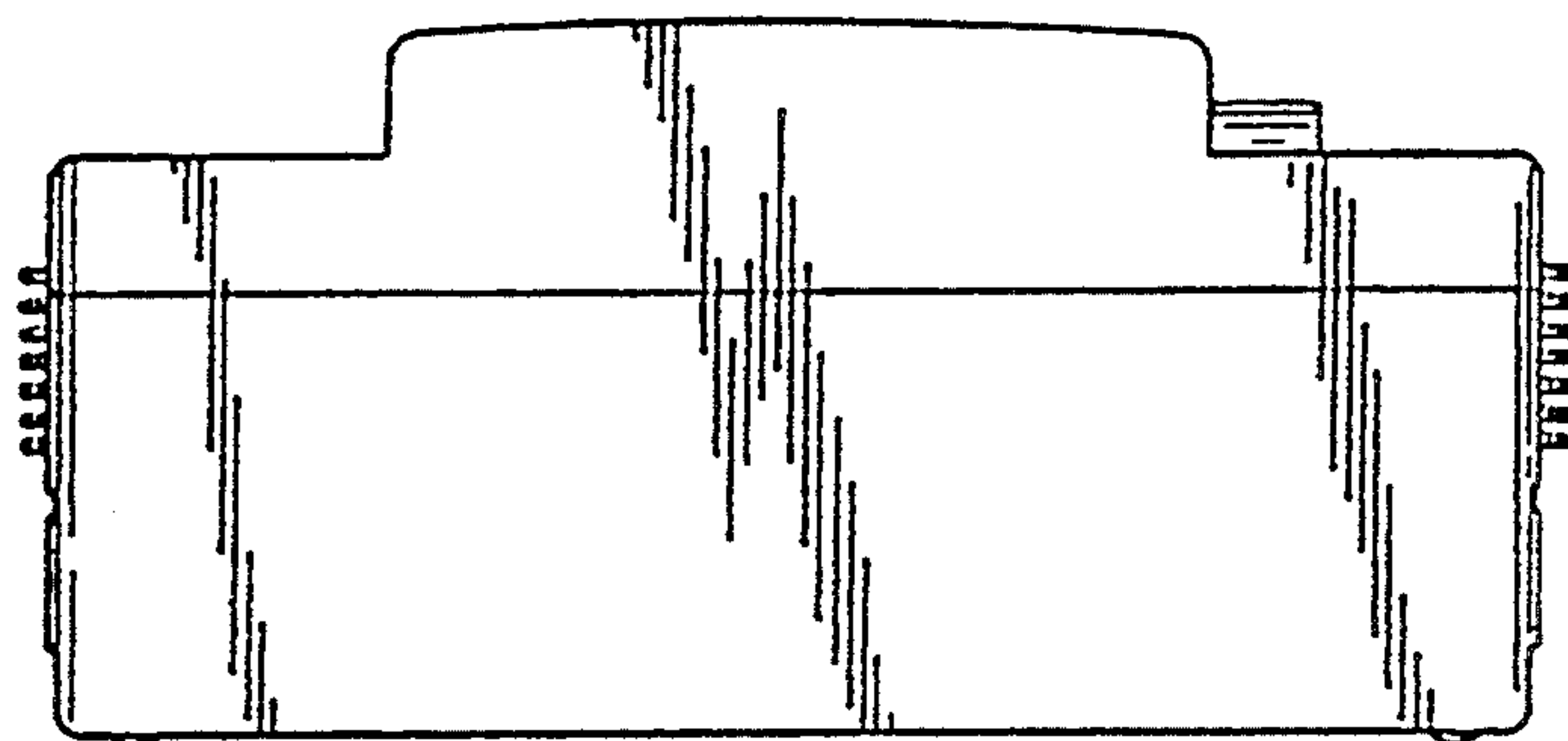


FIG. 6

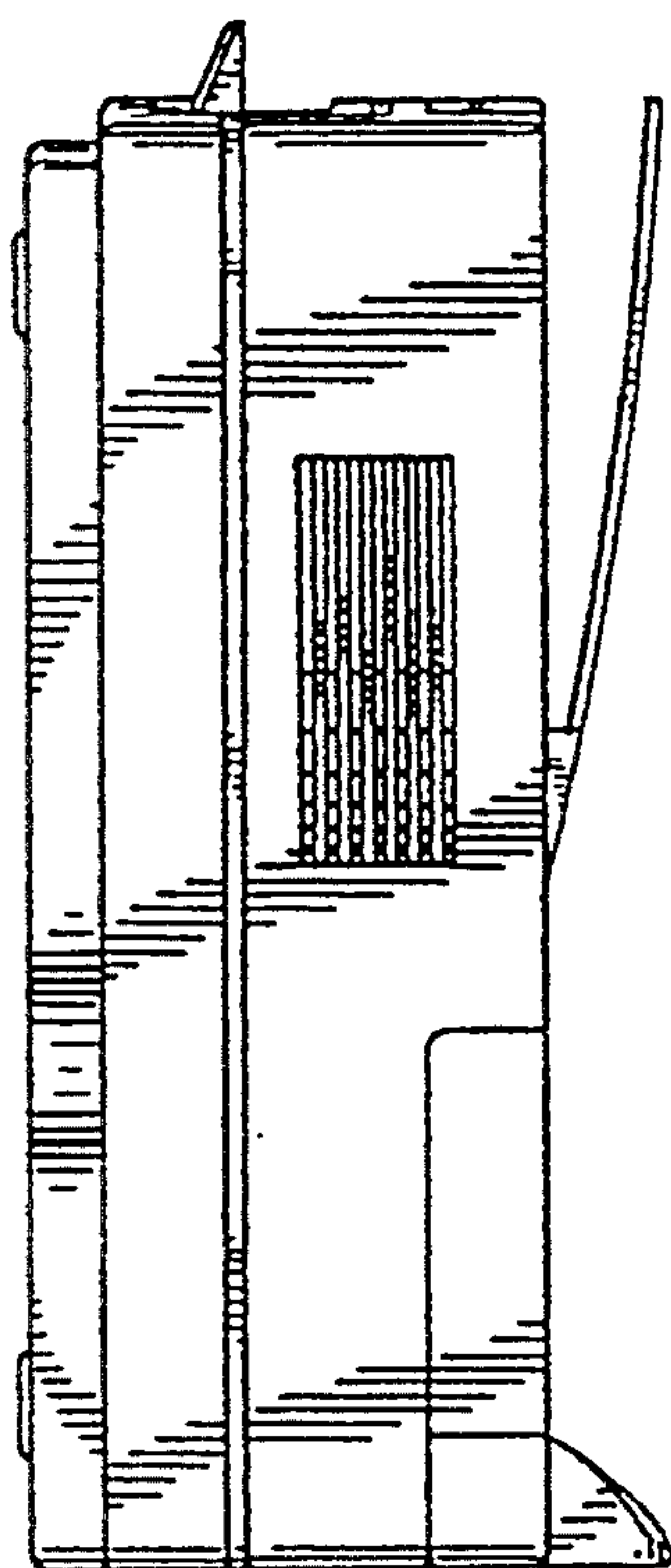


FIG. 5

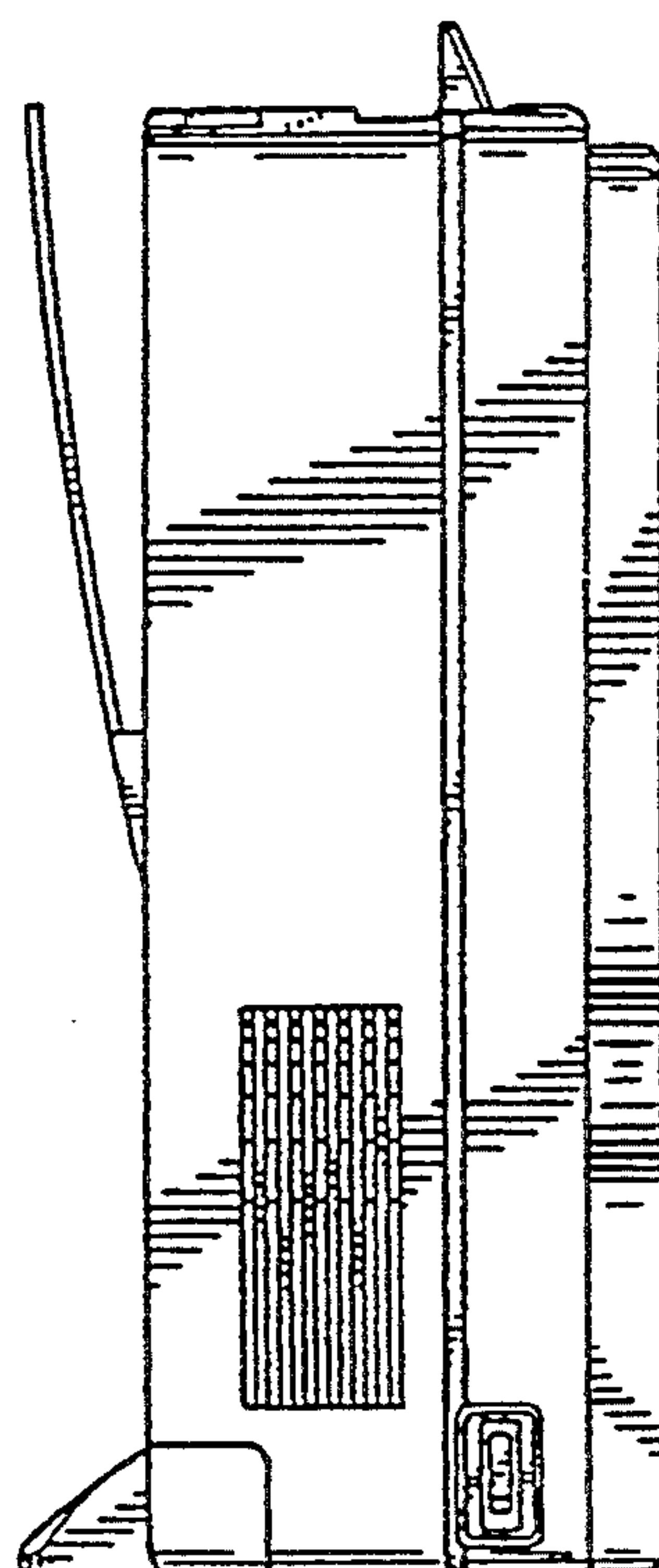


FIG. 7

