



US00D361780S

# United States Patent [19]

[11] Patent Number: **Des. 361,780**

Jenkins

[45] Date of Patent: **\*\* Aug. 29, 1995**

[54] MAIL PROCESSING MACHINE

[75] Inventor: **Ian R. Jenkins**, Fairfield, Conn.

[73] Assignee: **Pitney Bowes Inc.**, Stamford, Conn.

[\*\*] Term: **14 Years**

[21] Appl. No.: **22,495**

[22] Filed: **May 5, 1994**

[52] U.S. Cl. .... **D18/51; D18/50**

[58] Field of Search ..... 101/76, 77, 91, 47,  
101/95, 99, 85; 235/375; 400/692; 364/227.3,  
227.4, 918.52; D19/60; D14/105, 106;  
D18/50-52, 54-55; 347/222

4,186,659 2/1980 Rogers et al. .... 101/47  
4,301,507 11/1981 Soderberg et al. .... 364/918.52  
4,390,952 6/1983 Dlugos ..... 364/918.52  
4,739,343 4/1988 Dolan ..... D18/51  
5,080,509 1/1992 Stone ..... 101/47

### OTHER PUBLICATIONS

Pitney Bowes brochure for Mail Center 2000.

*Primary Examiner*—Cathy Anne MacCormac  
*Attorney, Agent, or Firm*—Charles G. Parks, Jr.; Melvin J. Scolnick

### CLAIM

[57] The ornamental design for a mail processing machine, as shown and described.

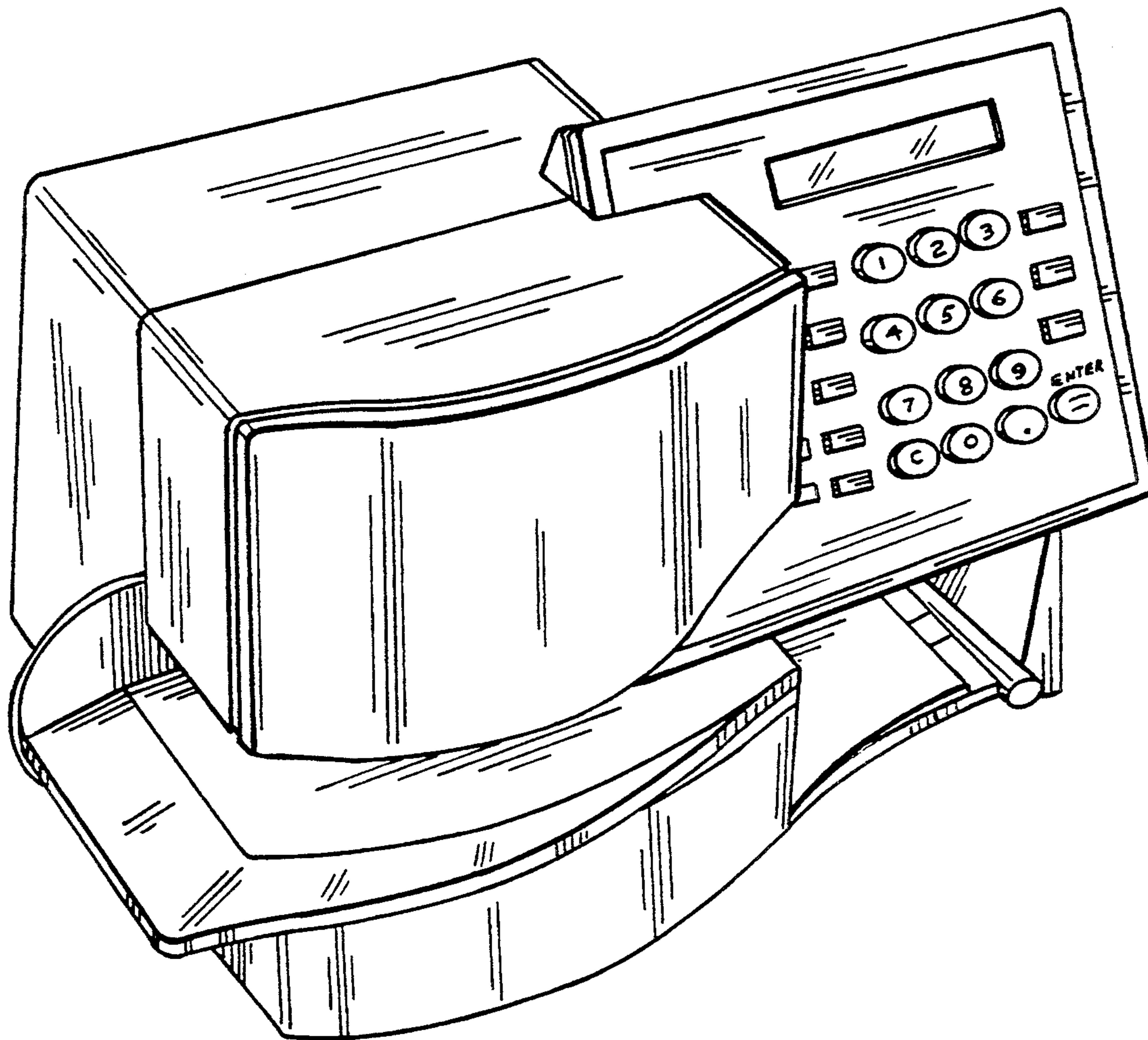
### References Cited

#### U.S. PATENT DOCUMENTS

D. 257,153 9/1980 Woods et al. .... D18/51  
D. 326,677 6/1992 Nobile et al. .... D18/51  
D. 330,386 10/1992 Doeberl et al. .... D18/51  
D. 343,408 1/1994 Hermann ..... D18/55  
3,301,176 1/1967 Lowell ..... D18/51  
3,688,112 8/1972 Morley et al. .... 101/47

### DESCRIPTION

FIG. 1 is a top, front and left side perspective view of a mail processing machine showing our new design;  
FIG. 2 is a top plan view thereof;  
FIG. 3 is a front elevational view thereof;  
FIG. 4 is a right side elevational view thereof;  
FIG. 5 is a left side elevational view thereof; and,  
FIG. 6 is a rear side elevational view thereof.



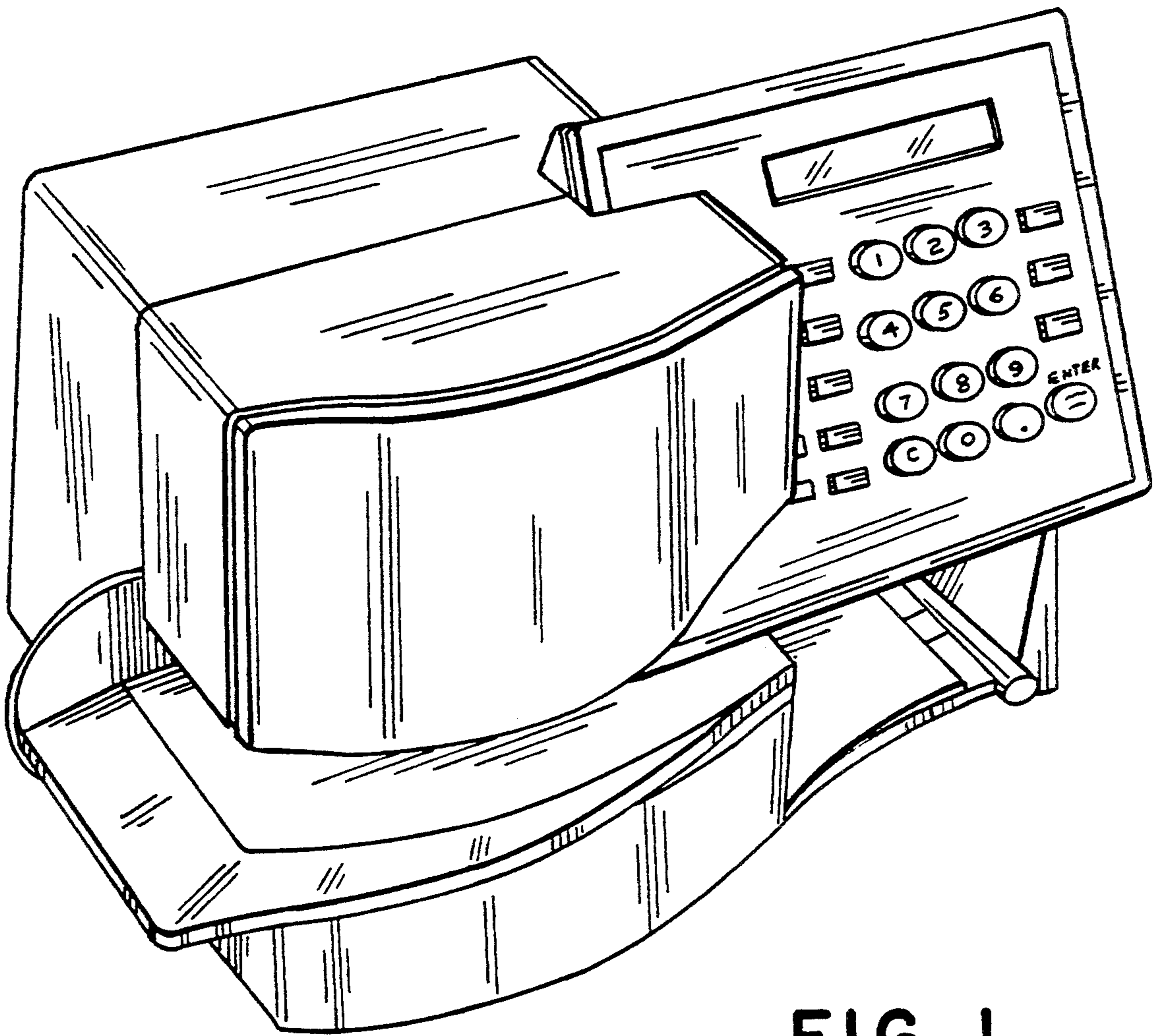


FIG. 1

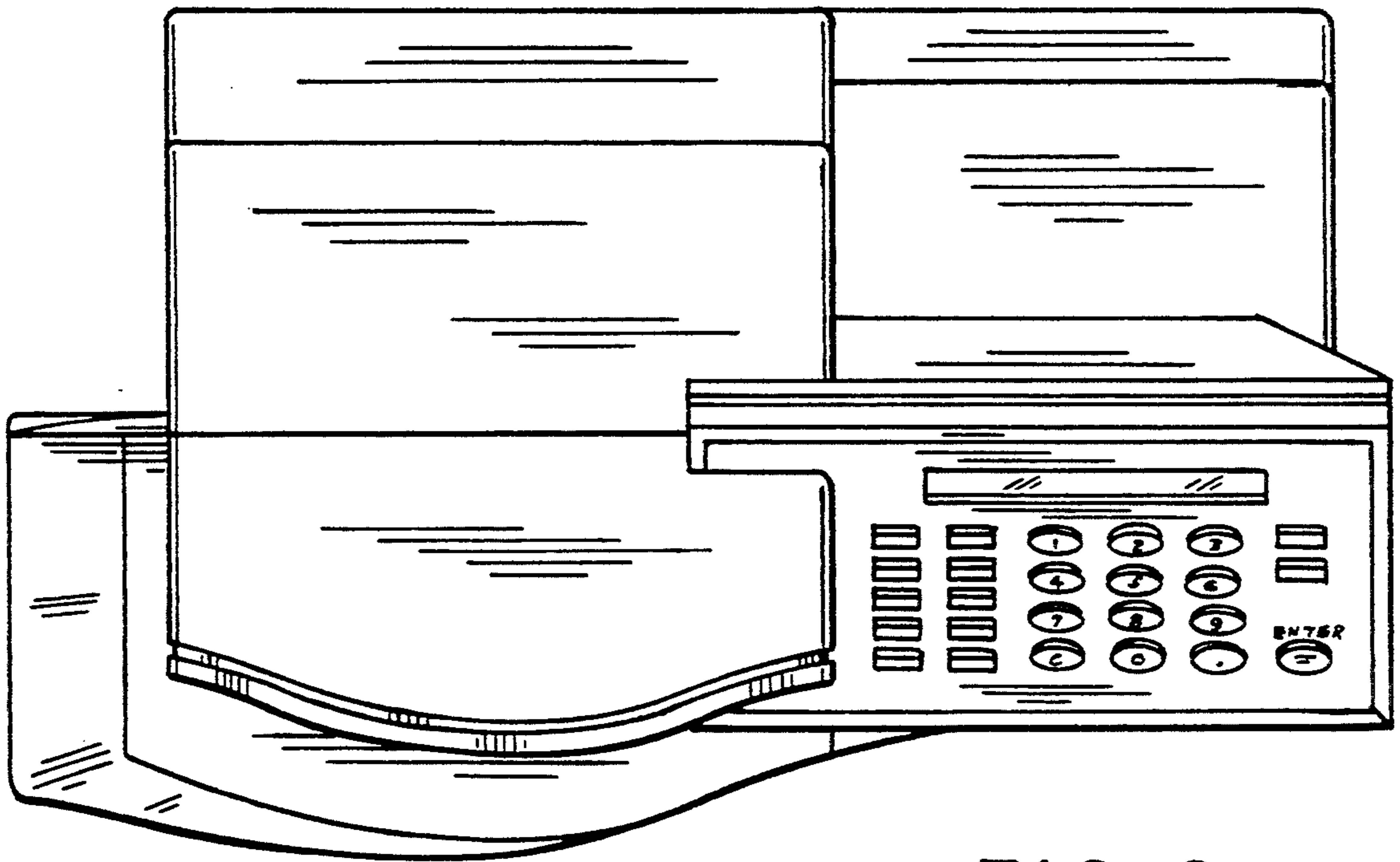


FIG. 2

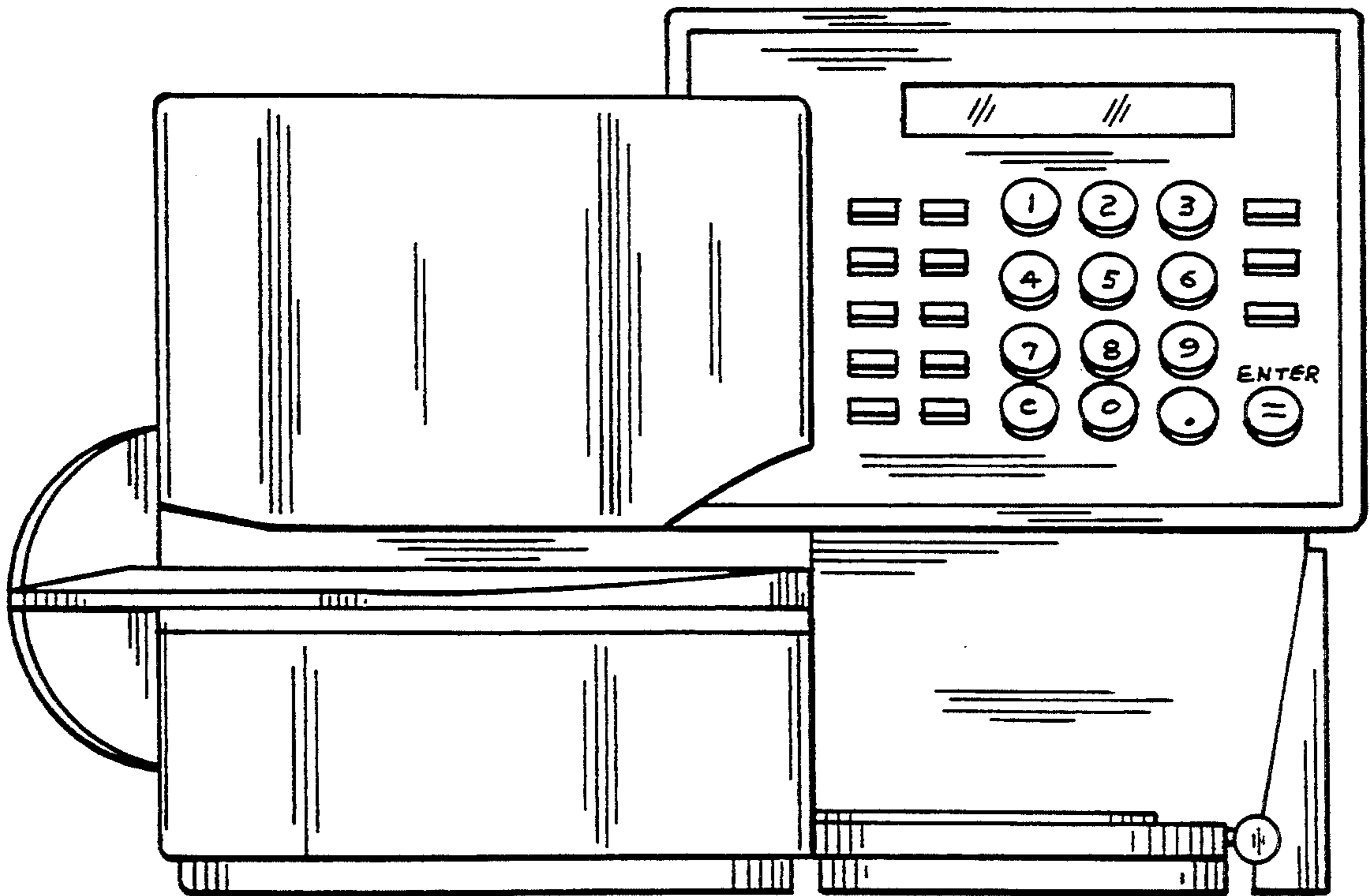


FIG. 3

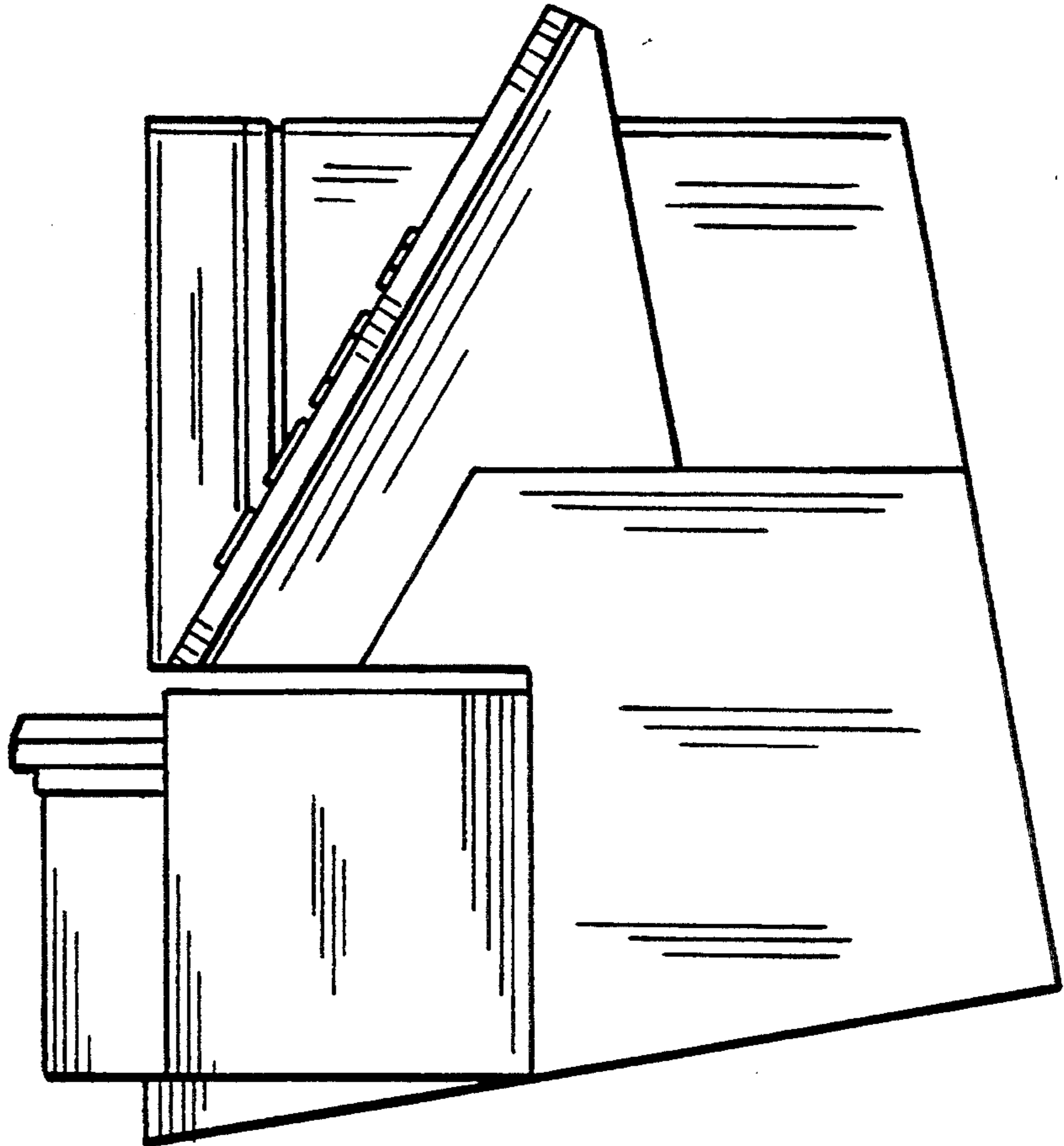


FIG. 4

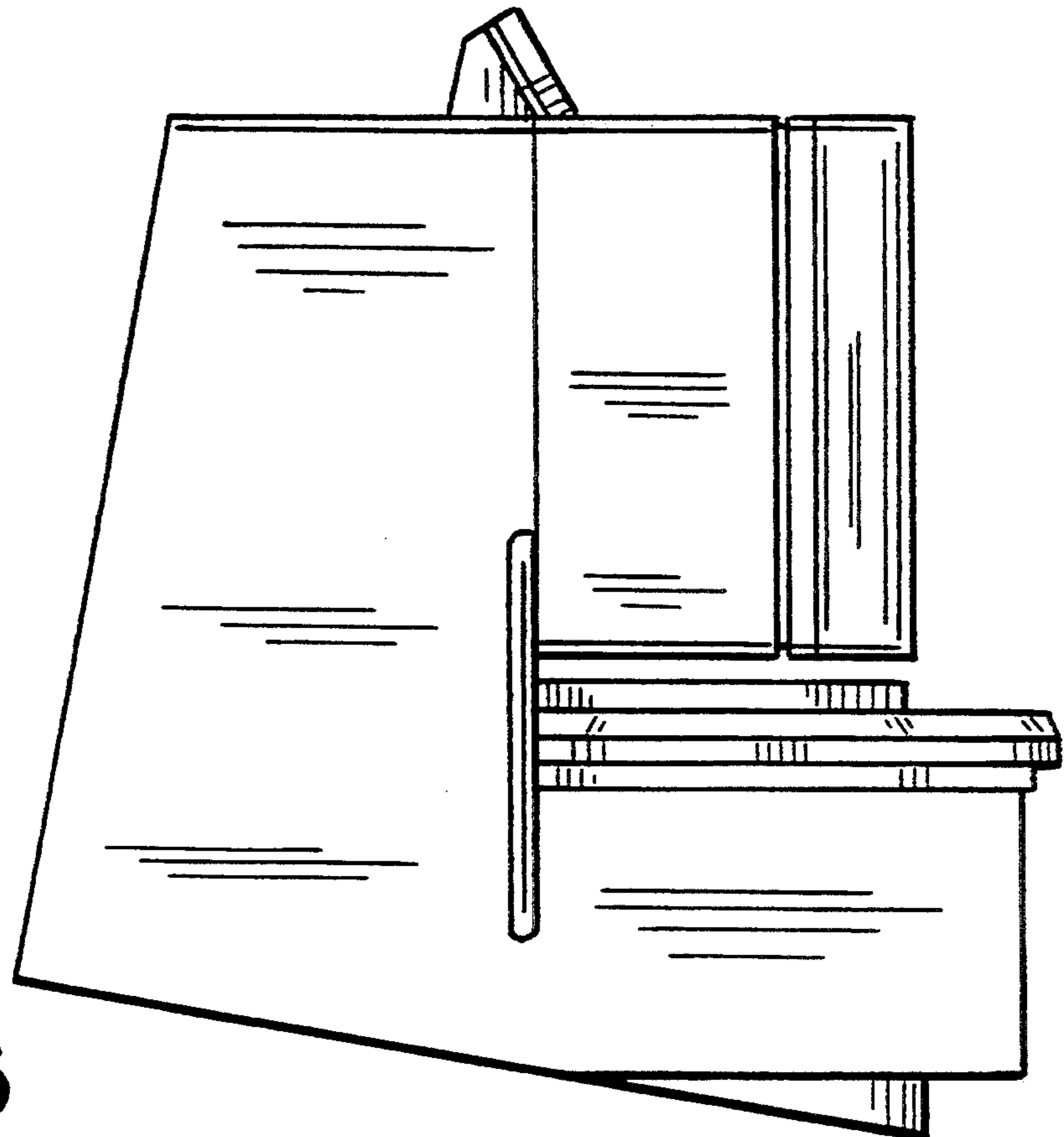


FIG. 5

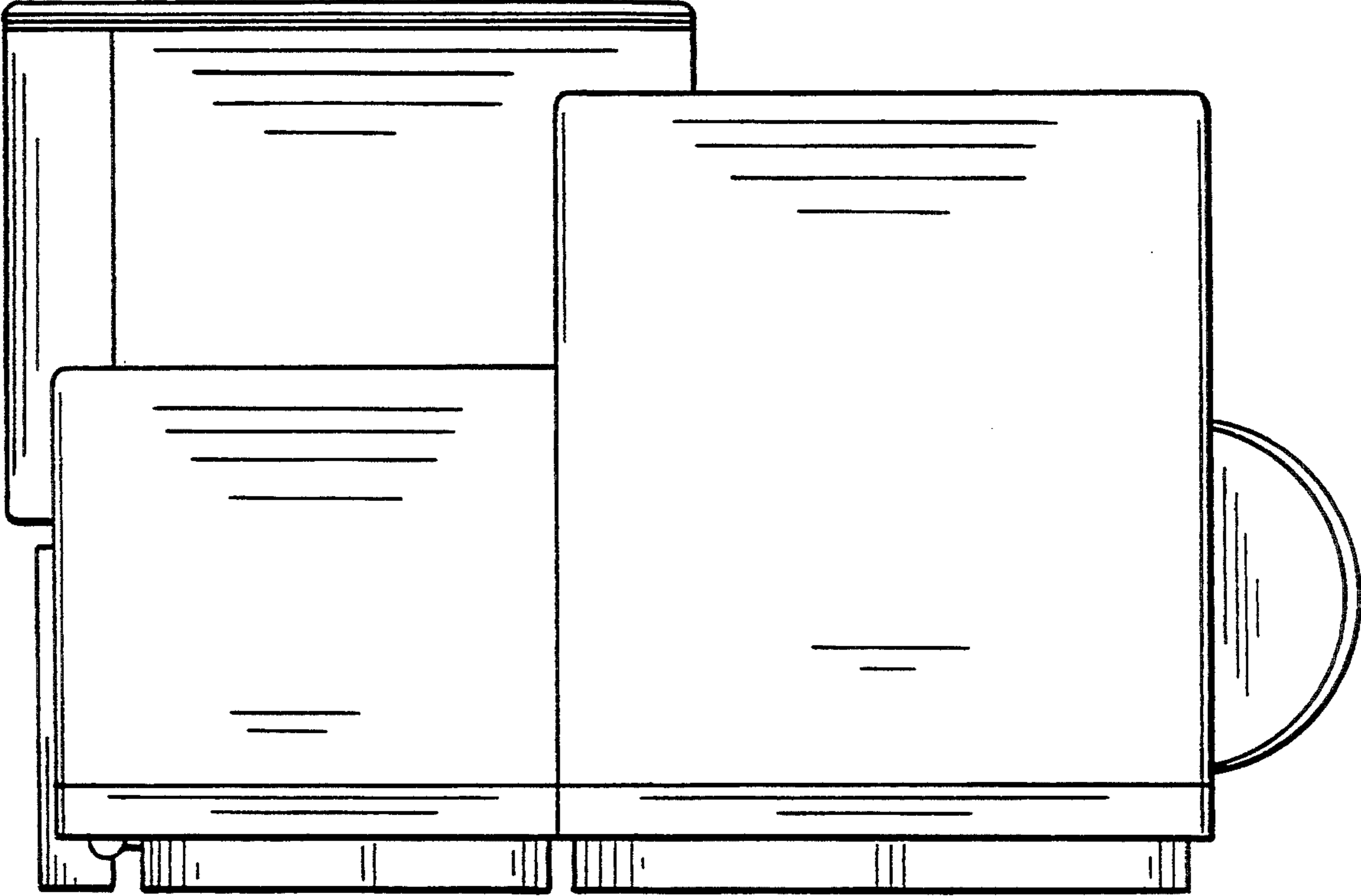


FIG. 6