



US00D361779S

United States Patent [19]

[11] Patent Number: **Des. 361,779**

Lambert, Jr.

[45] Date of Patent: **** Aug. 29, 1995**

[54] **STRING PULLER**

[76] Inventor: **Kenneth A. Lambert, Jr.**, P.O. Box 28, New Vineyard, Me. 04956

[**] Term: **14 Years**

[21] Appl. No.: **23,884**

[22] Filed: **Jun. 2, 1994**

[52] U.S. Cl. **D17/21**; 84/313

[58] Field of Search **D17/14, 20, 21**; 84/298, 84/299, 312 R, 313, 314 H

[56] **References Cited**

U.S. PATENT DOCUMENTS

D. 196,530	10/1963	Burns	D17/21
D. 214,592	7/1969	Fender	D17/21
3,411,394	11/1968	Jones	84/313
4,632,005	12/1986	Steinberger	84/313
4,656,915	4/1987	Osuga	84/313

OTHER PUBLICATIONS

Music Trades, Jun. 1987 p. 82 (Kahler's Tremolo).

Primary Examiner—Prabhakar G. Deshmukh

Assistant Examiner—Adir Aronovich

[57] **CLAIM**

The ornamental design for a string puller, as shown and described.

DESCRIPTION

FIG. 1 is a right perspective view of a string puller showing my new design;

FIG. 2 is a left perspective view thereof;

FIG. 3 is a right side elevational view thereof;

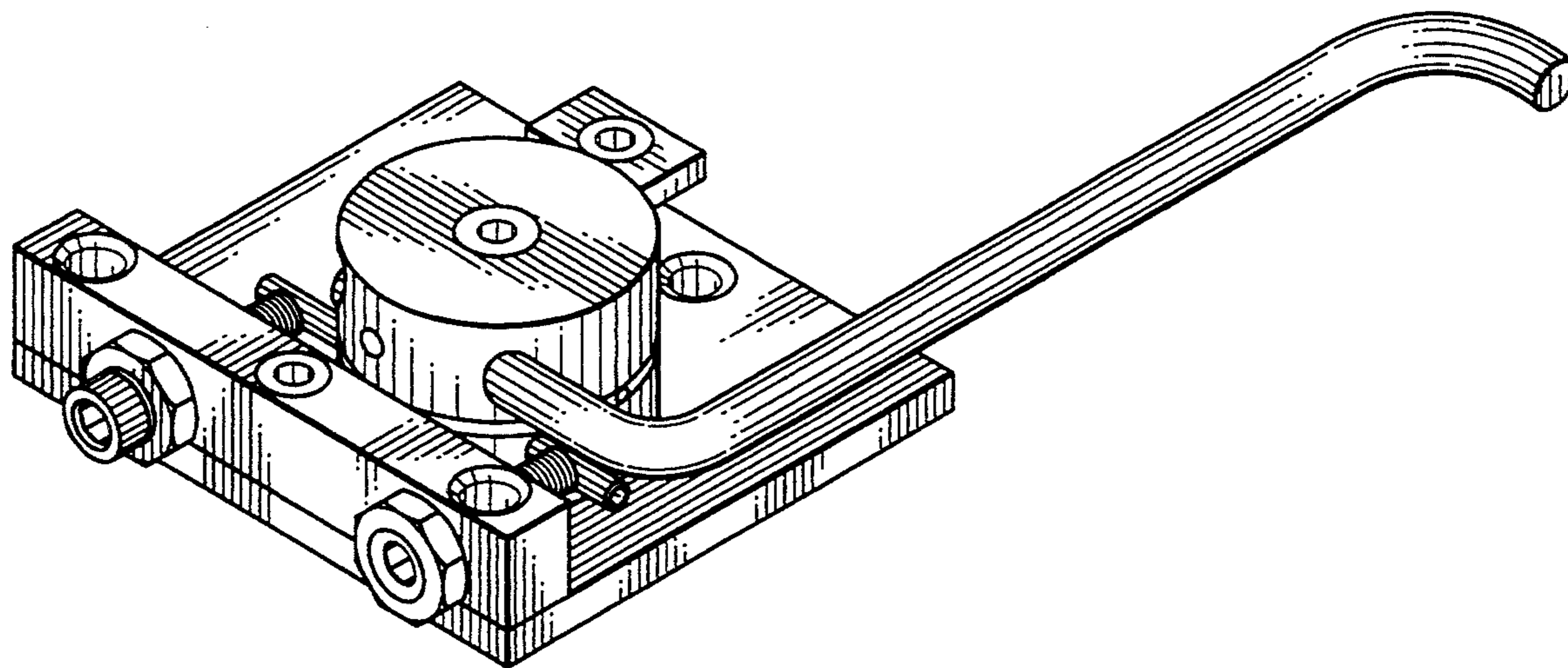
FIG. 4 is a front elevational view thereof;

FIG. 5 is a left side elevational view thereof;

FIG. 6 is a rear elevational view thereof;

FIG. 7 is a top plan view thereof; and,

FIG. 8 is a bottom plan view thereof.



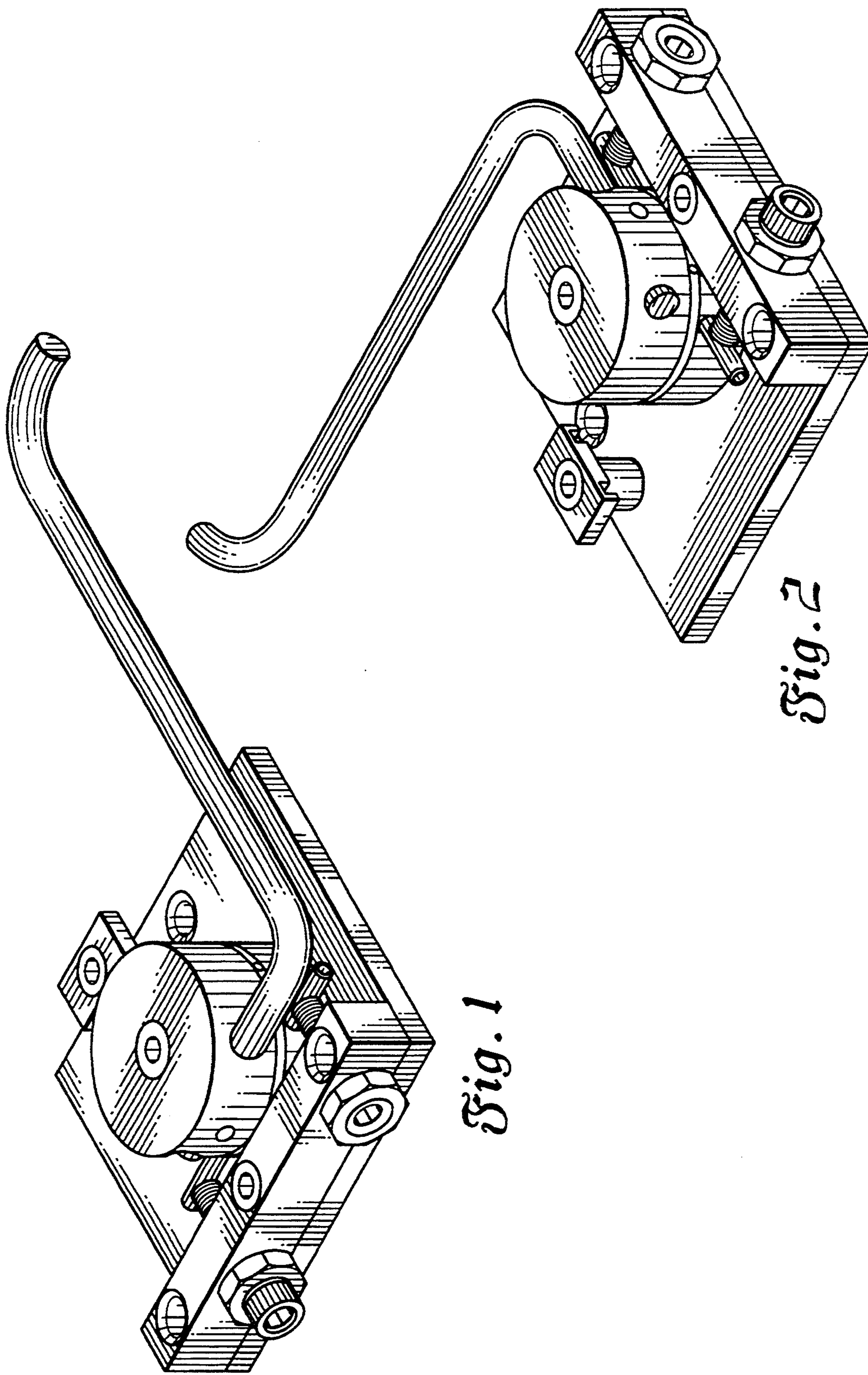


Fig. 1

Fig. 2

Fig. 4

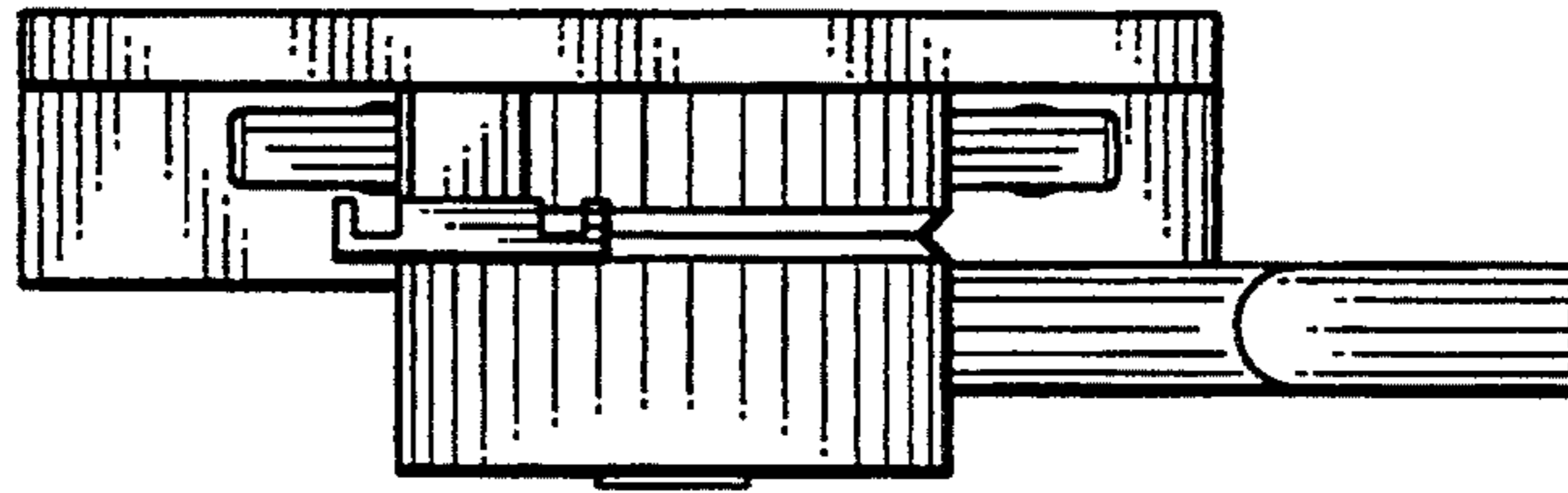


Fig. 3

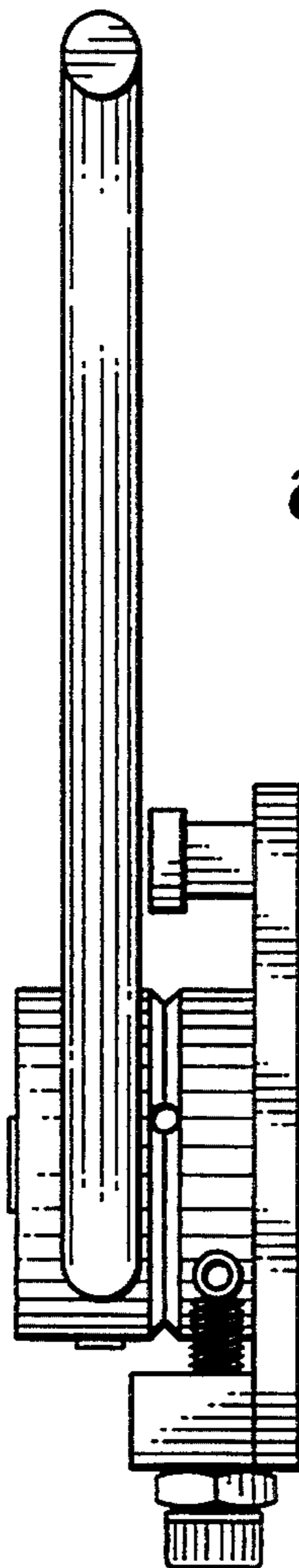


Fig. 5

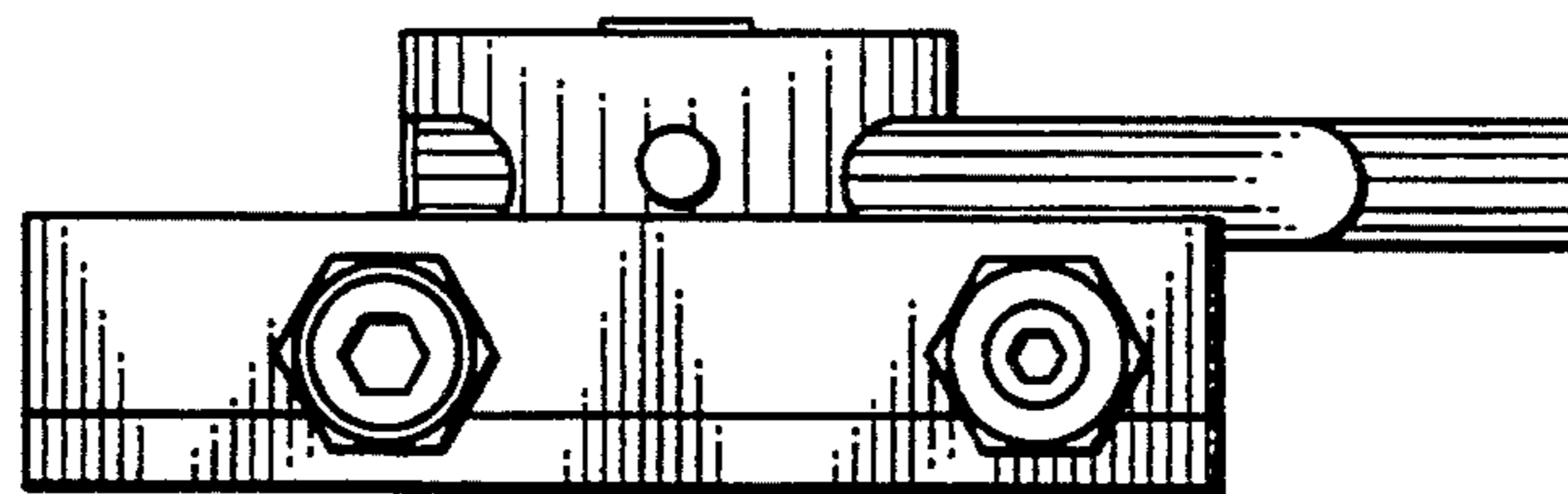
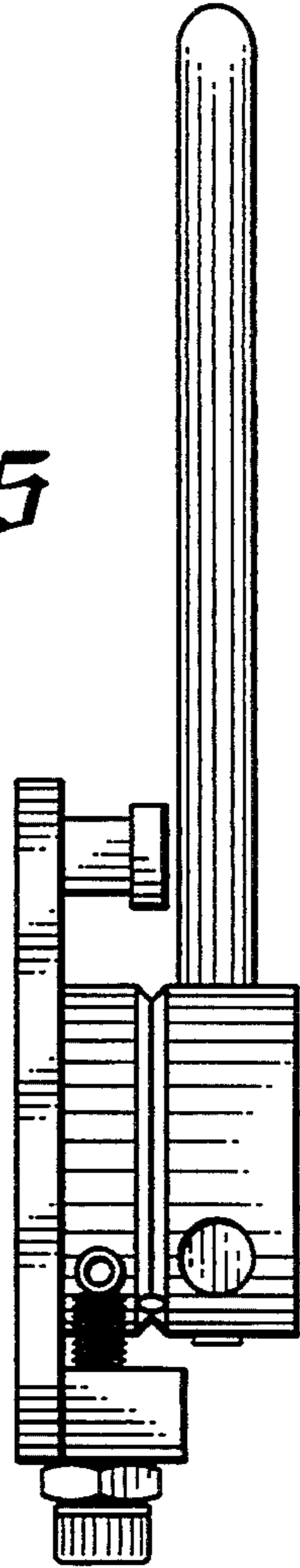


Fig. 6

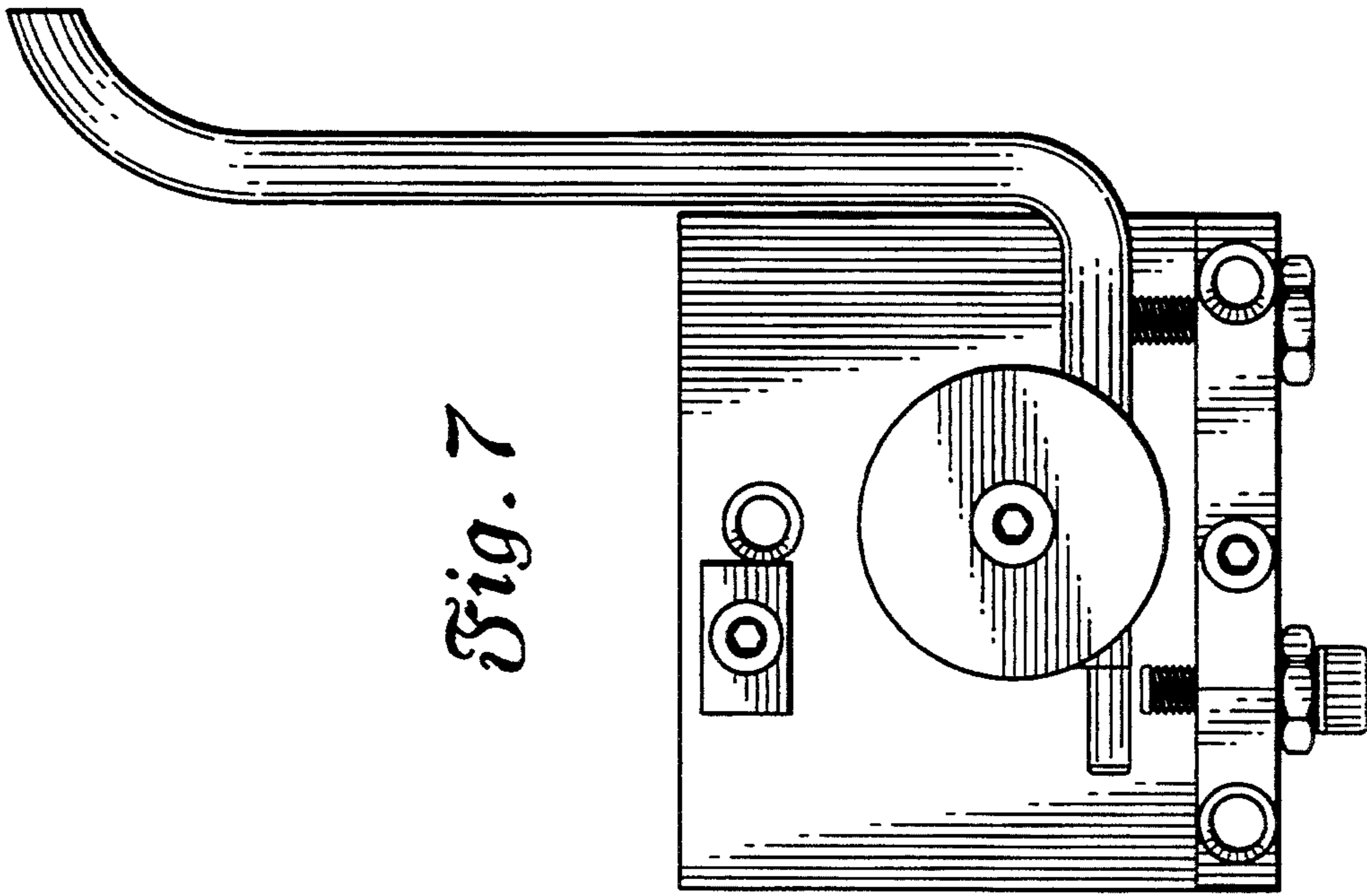


Fig. 7

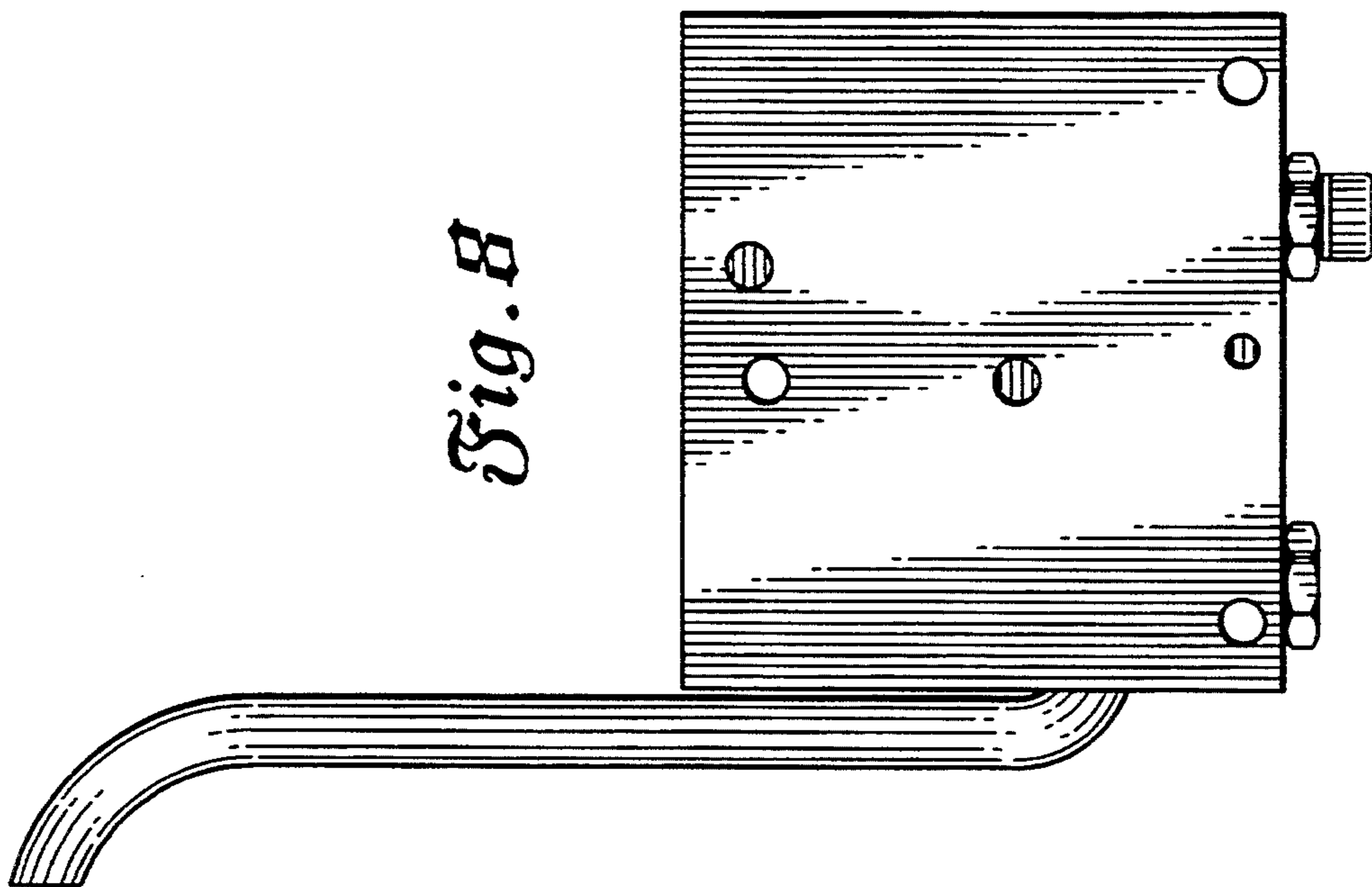


Fig. 8