



US00D361778S

United States Patent [19]

[11] Patent Number: Des. 361,778

Matsumura

[45] Date of Patent: ** Aug. 29, 1995

[54] VIDEO CAMERA WITH VIDEO TAPE RECORDER

[75] Inventor: Yoshiyuki Matsumura, Tokyo, Japan

[73] Assignee: Canon Kabushiki Kaisha, Tokyo, Japan

[**] Term: 14 Years

[21] Appl. No.: 28,627

[22] Filed: Oct. 6, 1994

D. 337,340	7/1993	Tanaka	D16/202
D. 337,341	7/1993	Masuda	D16/202
D. 337,597	7/1993	Yoshida	D16/202
D. 337,778	7/1993	Matsumura	D16/202
D. 340,802	11/1993	Sekine	D3/267
D. 342,084	12/1993	Ishikawa	D16/202
D. 345,172	3/1994	Ishikawa	D16/202
D. 350,360	9/1994	Masuda	D16/202
D. 335,5900	5/1993	Mori et al.	D16/202
4,928,179	5/1990	Takahashi et al.	358/229
5,294,988	3/1994	Wakabayashi et al.	348/373

Related U.S. Application Data

[63] Continuation of Ser. No. 15,811, Nov. 30, 1993, abandoned.

[30] Foreign Application Priority Data

Jun. 2, 1993 [JP] Japan 5-16533

[52] U.S. Cl. D16/202

[58] Field of Search D16/200-205; 352/34, 242, 243; 354/82, 288; 358/229, 906

[56] References Cited

U.S. PATENT DOCUMENTS

D. 289,645	5/1987	Kondo	D15/78
D. 305,240	12/1989	Kondoh	D16/202
D. 316,419	4/1991	Matsumura	D16/202
D. 322,266	12/1991	Ichiyoshi	D16/202
D. 322,267	12/1991	Matsumura	D16/202
D. 322,448	12/1991	Kondo	D16/202
D. 327,698	7/1992	Masuda	D16/202
D. 331,767	12/1992	Yoshida	D16/202
D. 331,935	12/1992	Tanaka	D16/202
D. 331,936	12/1992	Ishikawa	D16/202
D. 332,108	12/1992	Kondo	D16/202
D. 332,958	2/1993	Urushihara et al.	D16/202
D. 336,910	6/1993	Yoshida	D16/202

FOREIGN PATENT DOCUMENTS

3-38167 2/1991 Japan H04N 5/225

OTHER PUBLICATIONS

Video Magazine, Jan. 1993 p. 2 (Canon's UCS3).
Video Magazine, Jan. 1993 p. 28 (Minolta's Master 8-848).

Primary Examiner—Theodore M. Shooman
Assistant Examiner—Adir Aronovich
Attorney, Agent, or Firm—Fitzpatrick, Cella, Harper & Scinto

[57] CLAIM

The ornamental design for a video camera with video tape recorder, as shown and described.

DESCRIPTION

FIG. 1 is a front elevational view of a video camera with video tape recorder showing my new design; FIG. 2 is a rear elevational view thereof; FIG. 3 is a top plan view thereof; FIG. 4 is a bottom plan view thereof; FIG. 5 is a left side elevational view thereof; FIG. 6 is a right side elevational view thereof; and, FIG. 7 is a perspective view thereof.

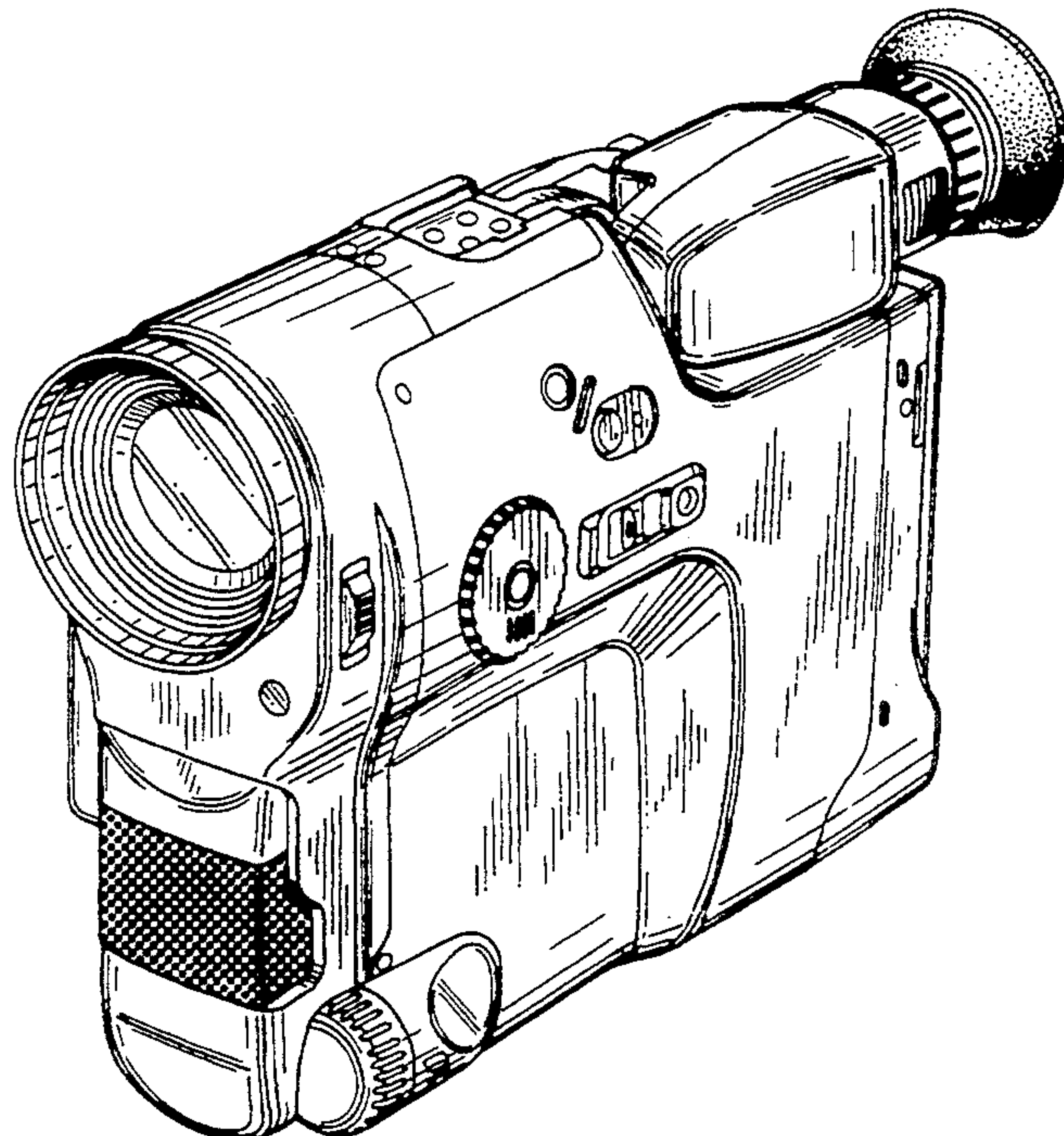


FIG. 1

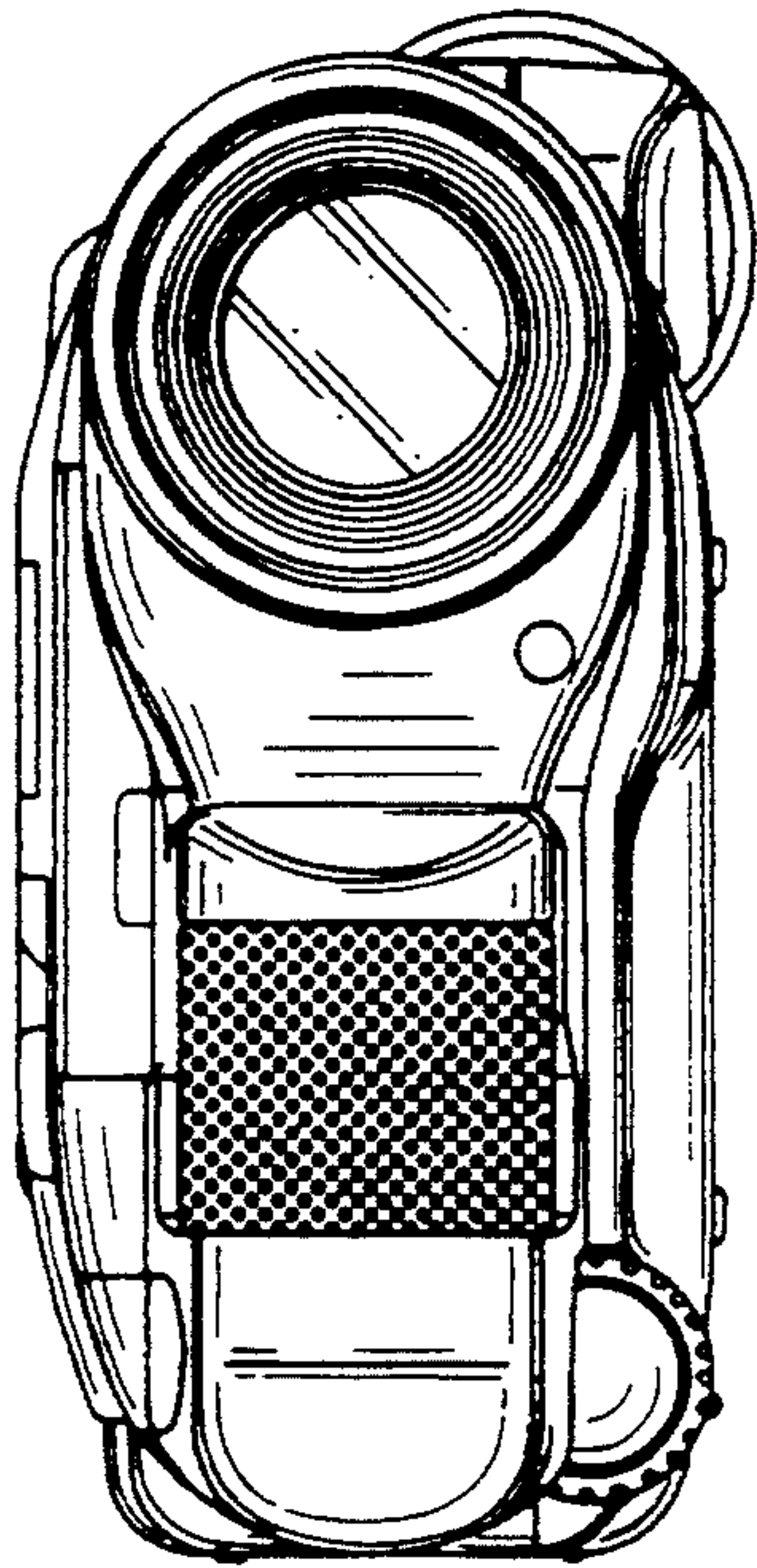


FIG. 2

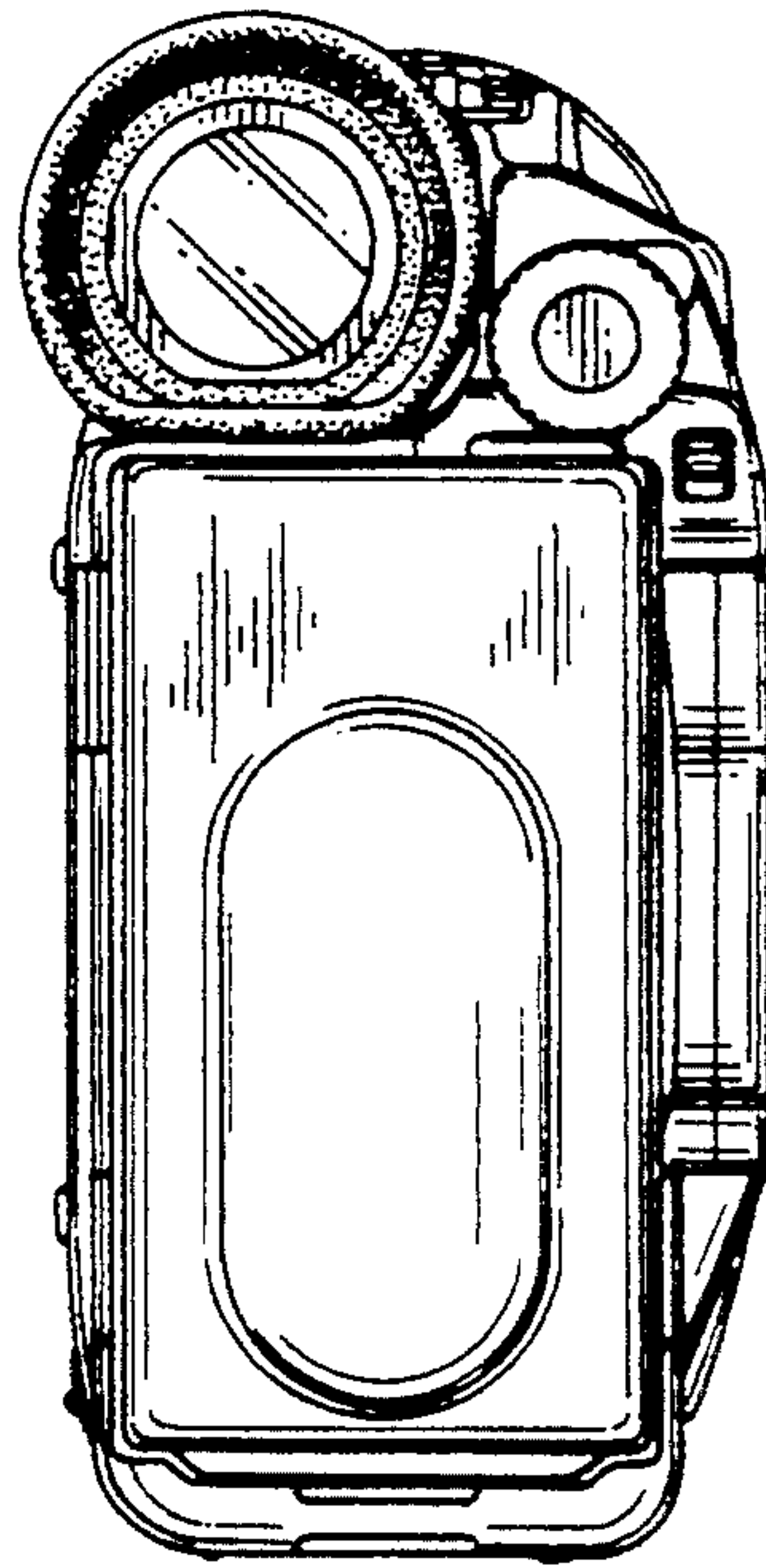


FIG. 3

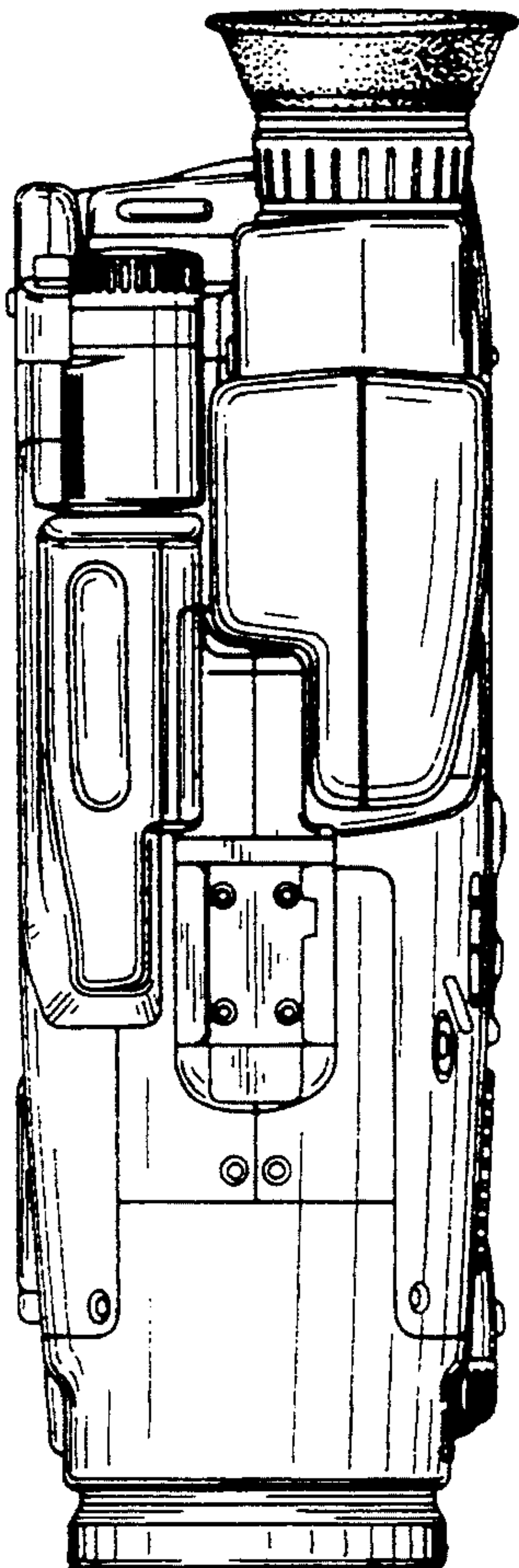


FIG. 4

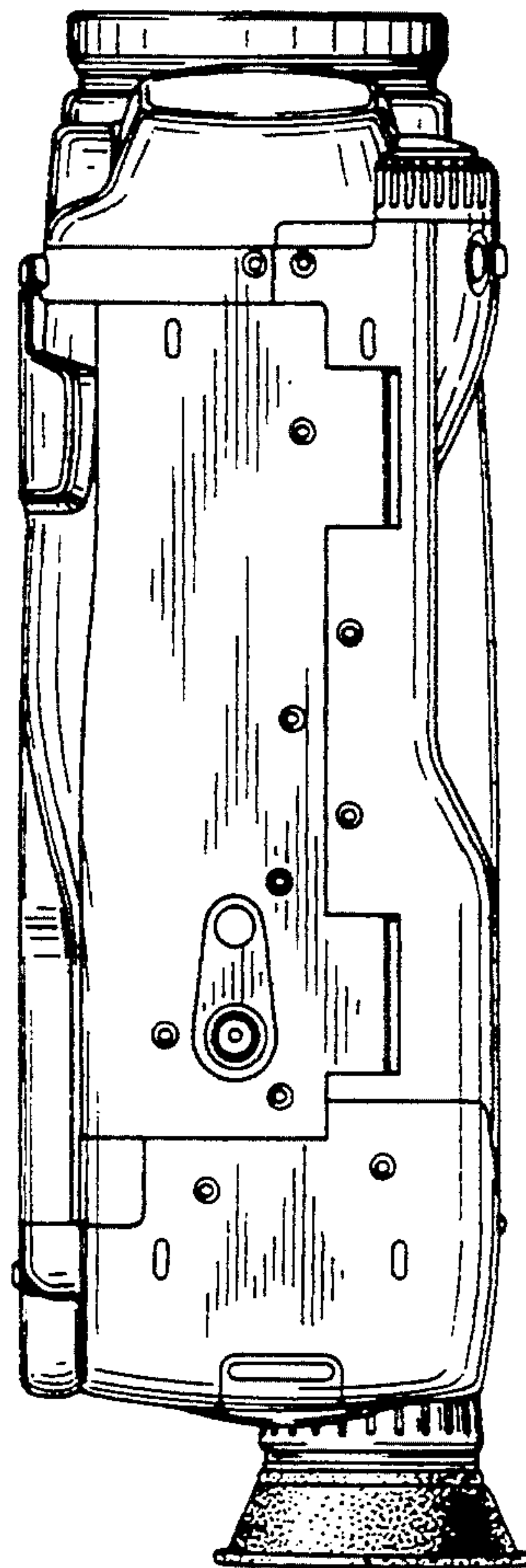


FIG. 5

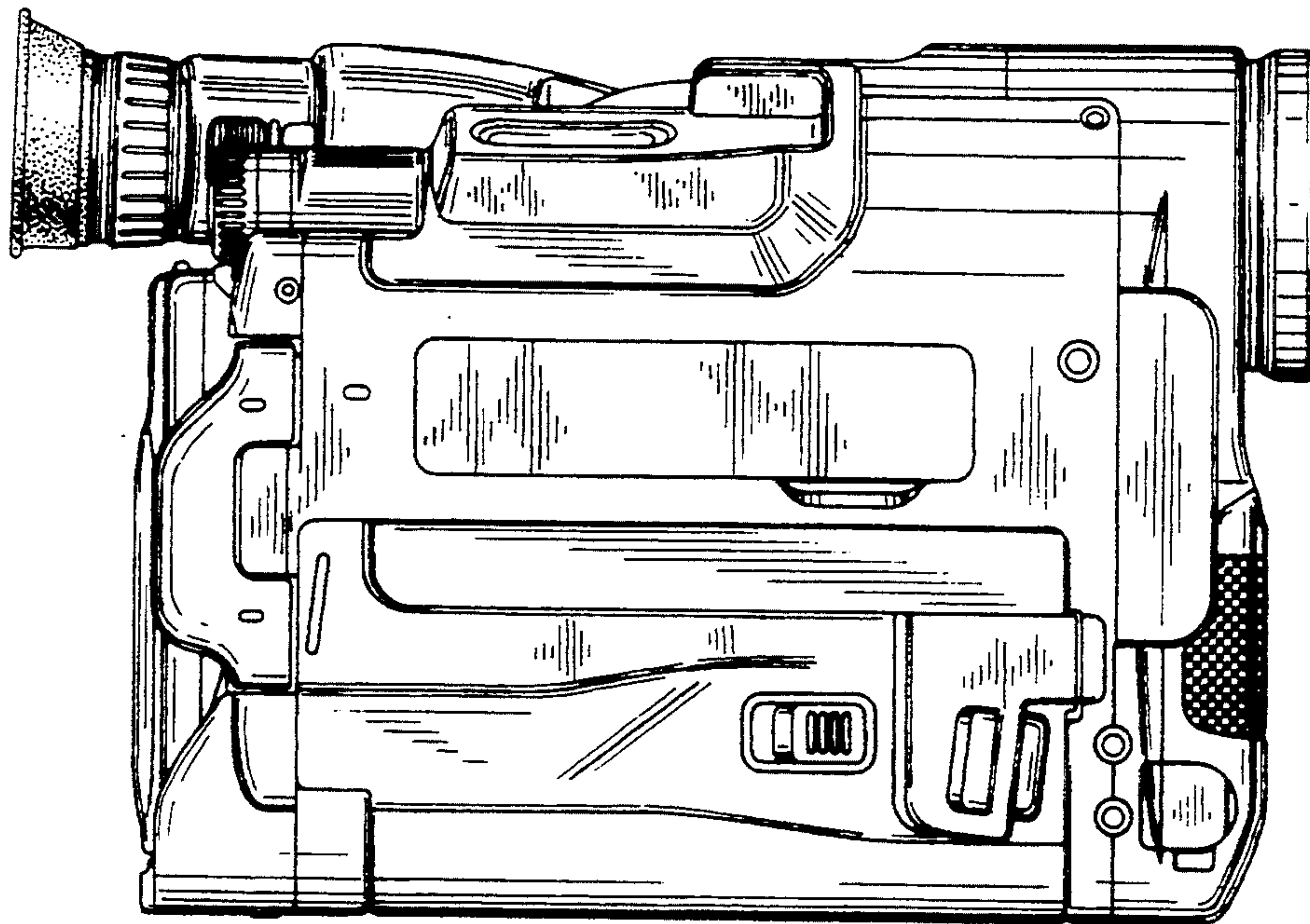


FIG. 6

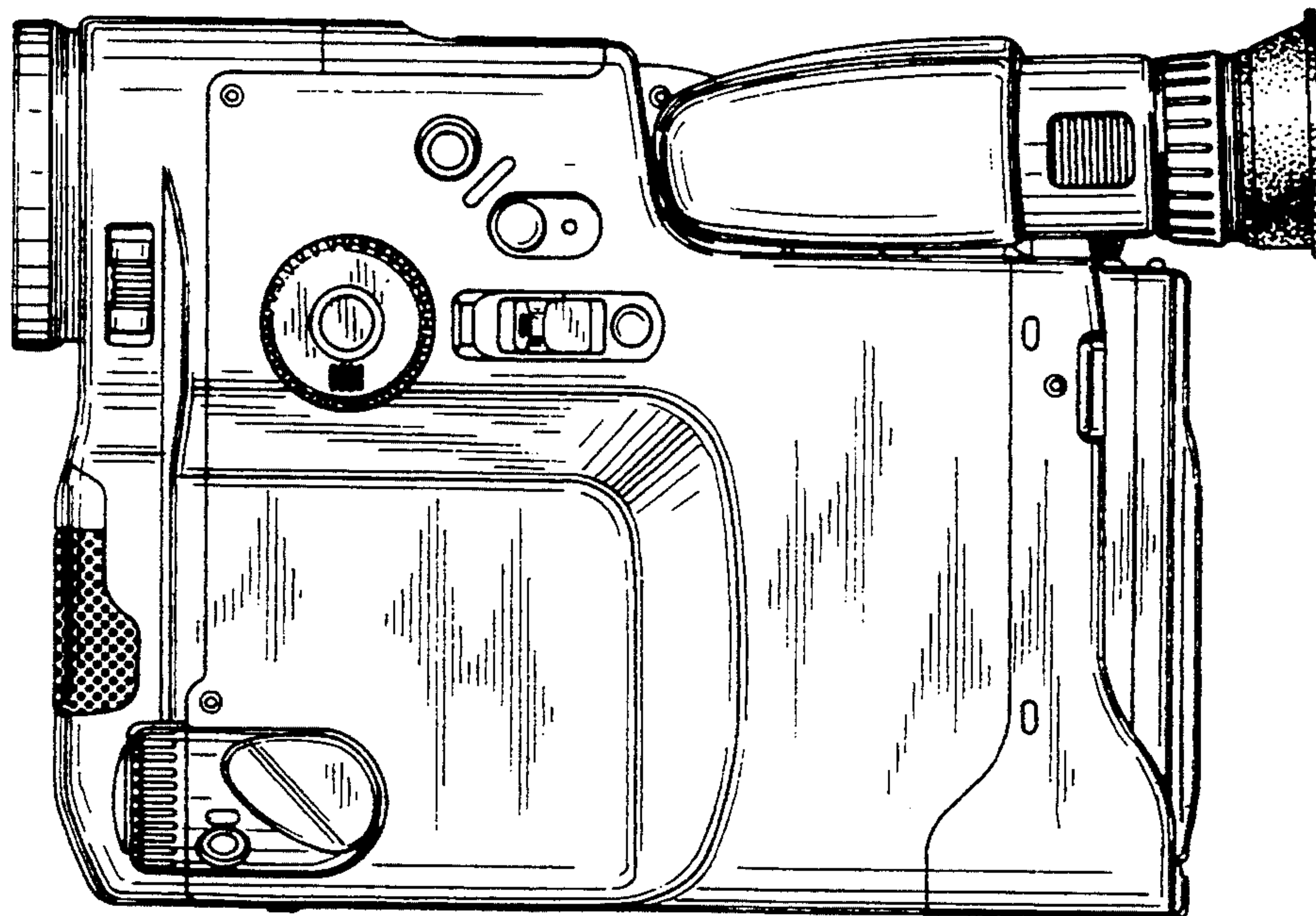
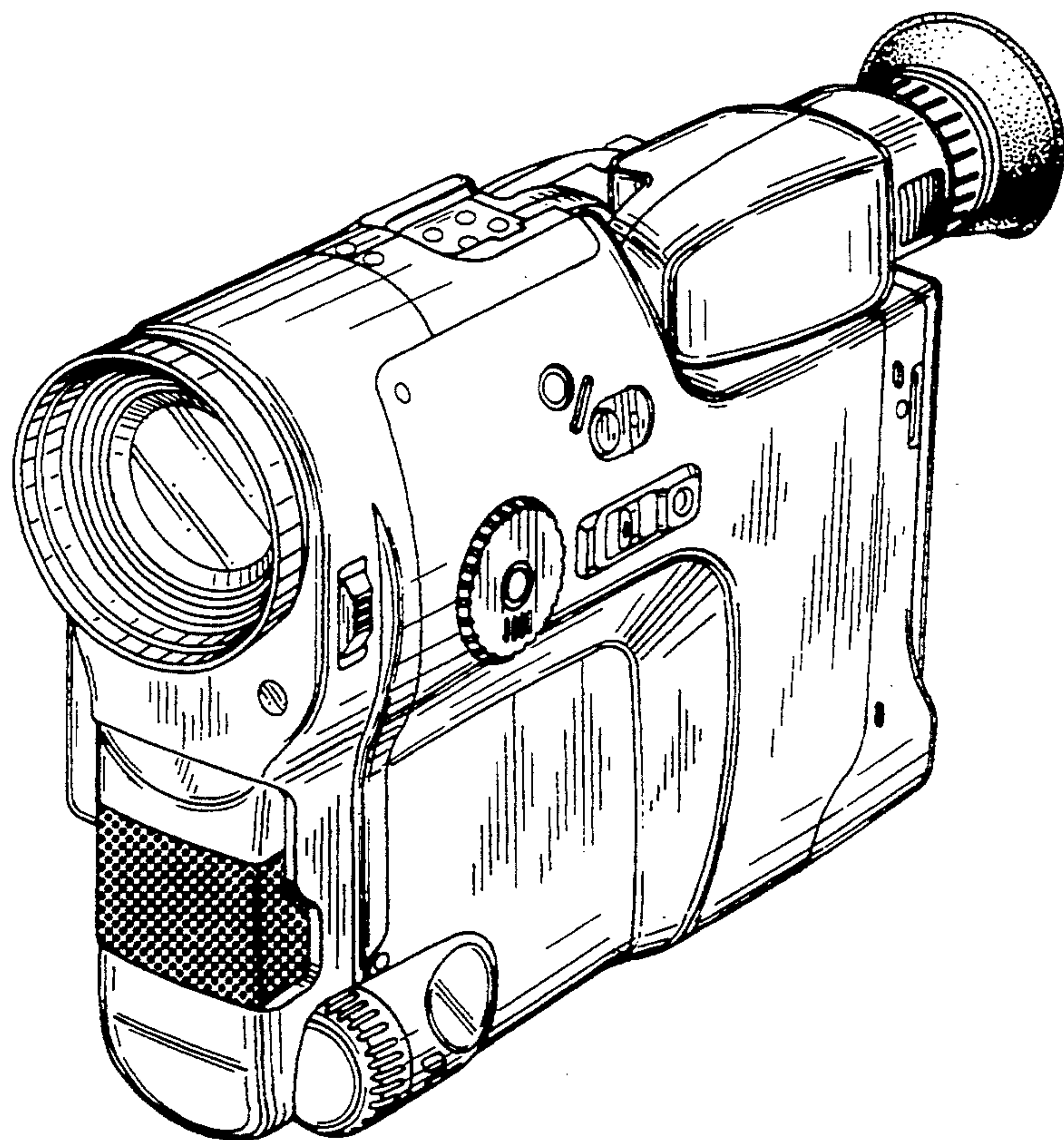


FIG. 7



UNITED STATES PATENT AND TRADEMARK OFFICE
CERTIFICATE OF CORRECTION

PATENT NO. : Des. 361,778
DATED : August 29, 1995
INVENTOR : YOSHIYUKI MATSUMURA

It is certified that errors appear in the above-identified patent and that said Letters Patent is hereby corrected as shown below:

ON TITLE PAGE:

In [56] References Cited, under U.S. PATENT DOCUMENTS:

insert: --D316,420 4/1991 Tanaka D16/202--.

"D335,5900" should read --D335,500--

Under OTHER PUBLICATIONS:

"(Minolta's Master 8-848." should read --(Minolta's Master 8-848).--

Signed and Sealed this
Sixteenth Day of January, 1996

Attest:



BRUCE LEHMAN

Attesting Officer

Commissioner of Patents and Trademarks