



US00D361775S

United States Patent [19]

[11] Patent Number: **Des. 361,775**

Josephson

[45] Date of Patent: **** Aug. 29, 1995**

[54] COMBINATION SAW

4,574,671 3/1986 Alessio .
4,631,999 12/1986 Striebig .

[76] Inventor: **Joseph M. Josephson**, 1 Church View Rd., Oxford, Conn. 06478

Primary Examiner—Antoine Duval Davis
Attorney, Agent, or Firm—Terry M. Gernstein

[**] Term: **14 Years**

[57] **CLAIM**

[21] Appl. No.: **31,213**

The ornamental design for a combination saw, as shown and described.

[22] Filed: **Nov. 14, 1994**

[52] U.S. Cl. **D15/133**

DESCRIPTION

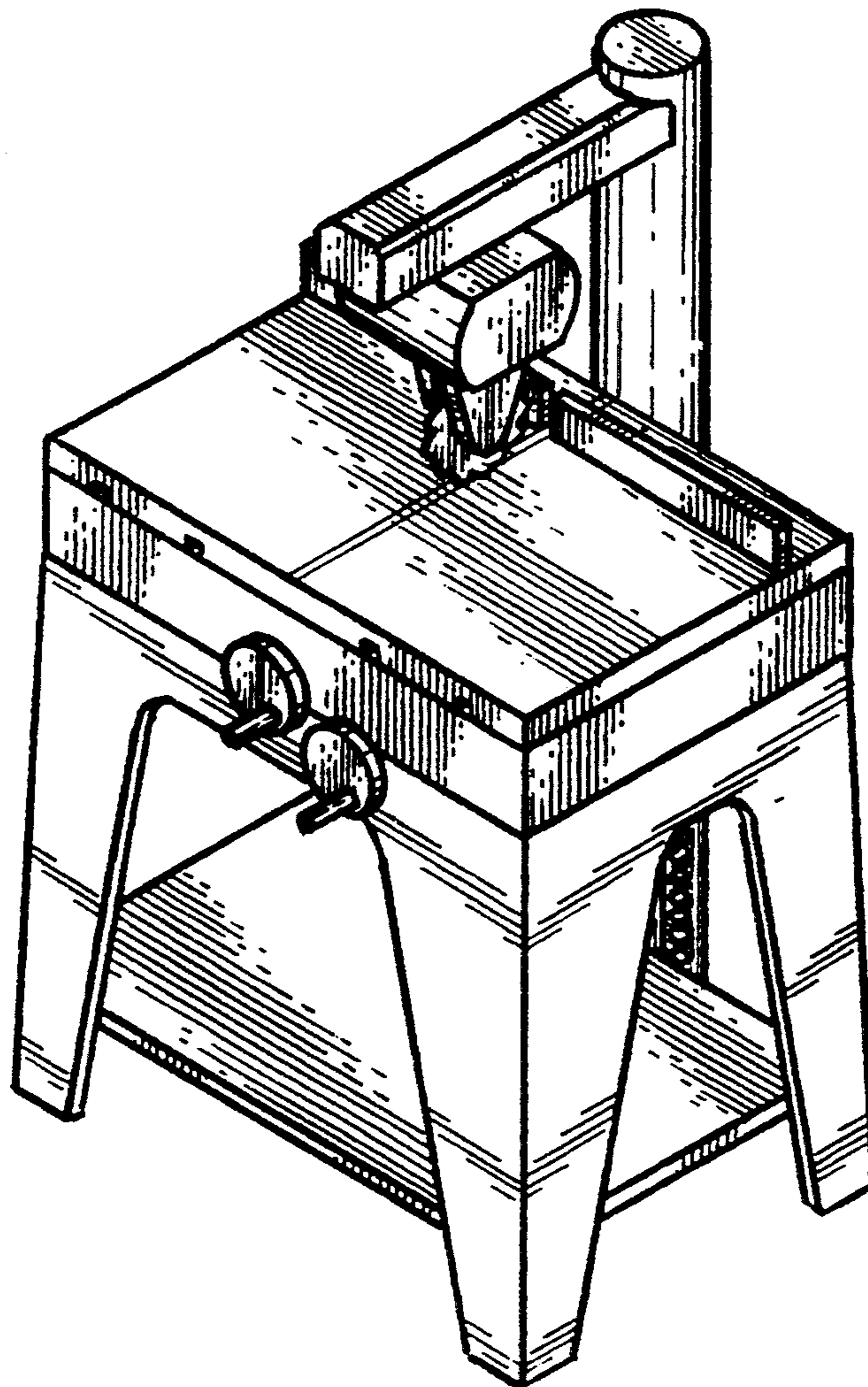
[58] Field of Search D15/133; 83/837, 477.2, 83/471.2, 488, 749, 751, 752, 784, 790; 144/41, 39, 237, 374, 375

FIG. 1 is a front, top and side perspective view of the combination saw showing my new design; FIG. 2 is a front elevational view thereof; FIG. 3 is a rear elevational view thereof; FIG. 4 is a side elevational view thereof; FIG. 5 is a side elevational view thereof; FIG. 6 is a top plan view thereof; FIG. 7 is a bottom plan view thereof; and, FIG. 8 is a front, top and side perspective view thereof in the retracted condition.

[56] References Cited

U.S. PATENT DOCUMENTS

D. 299,469 1/1989 Schneider et al. D15/133 X
3,954,036 5/1976 Bech 83/749
4,489,634 12/1984 Volk .
4,549,455 10/1985 Perilloux, Jr. 83/477.2



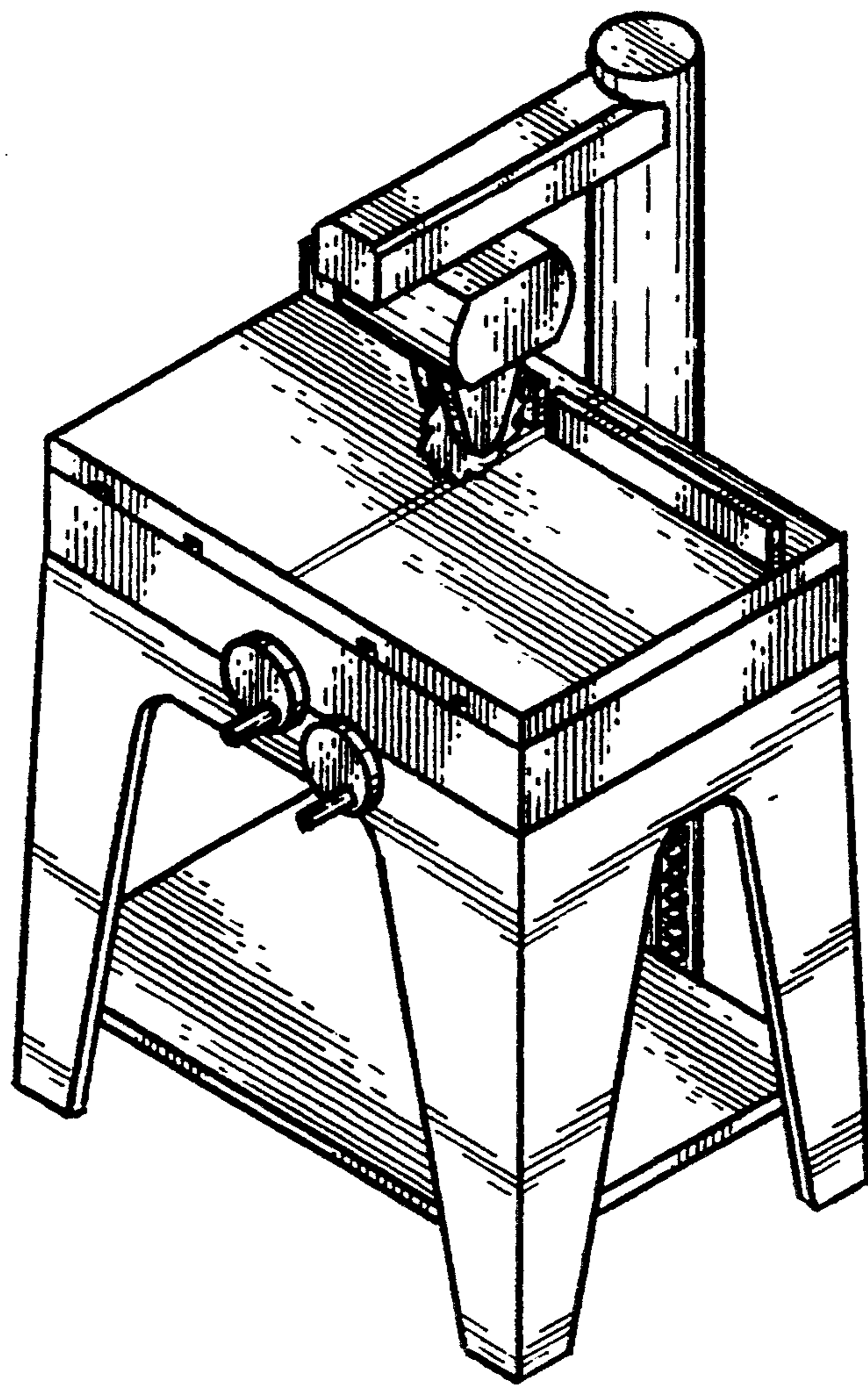


FIG. 1

FIG. 2

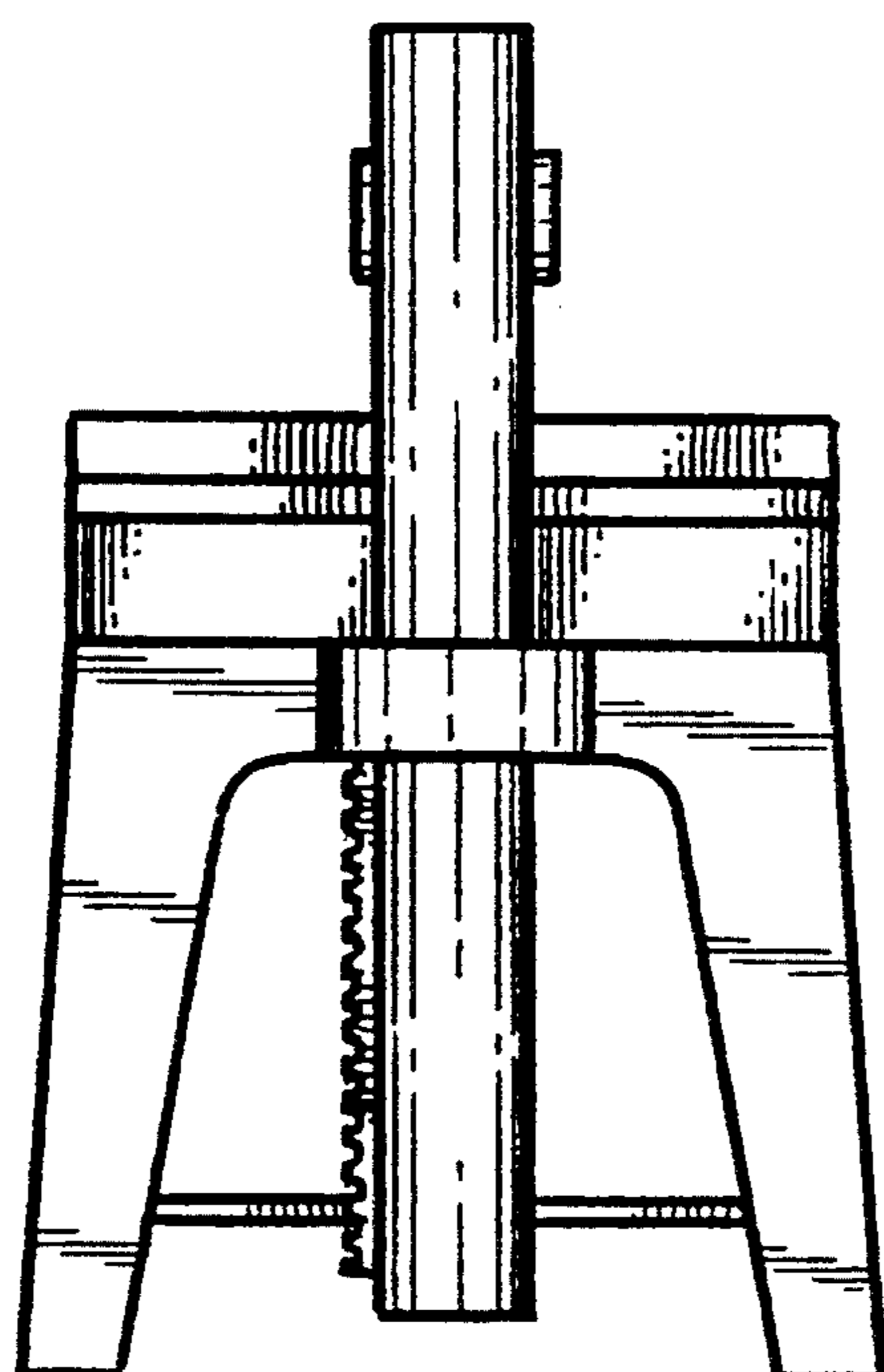
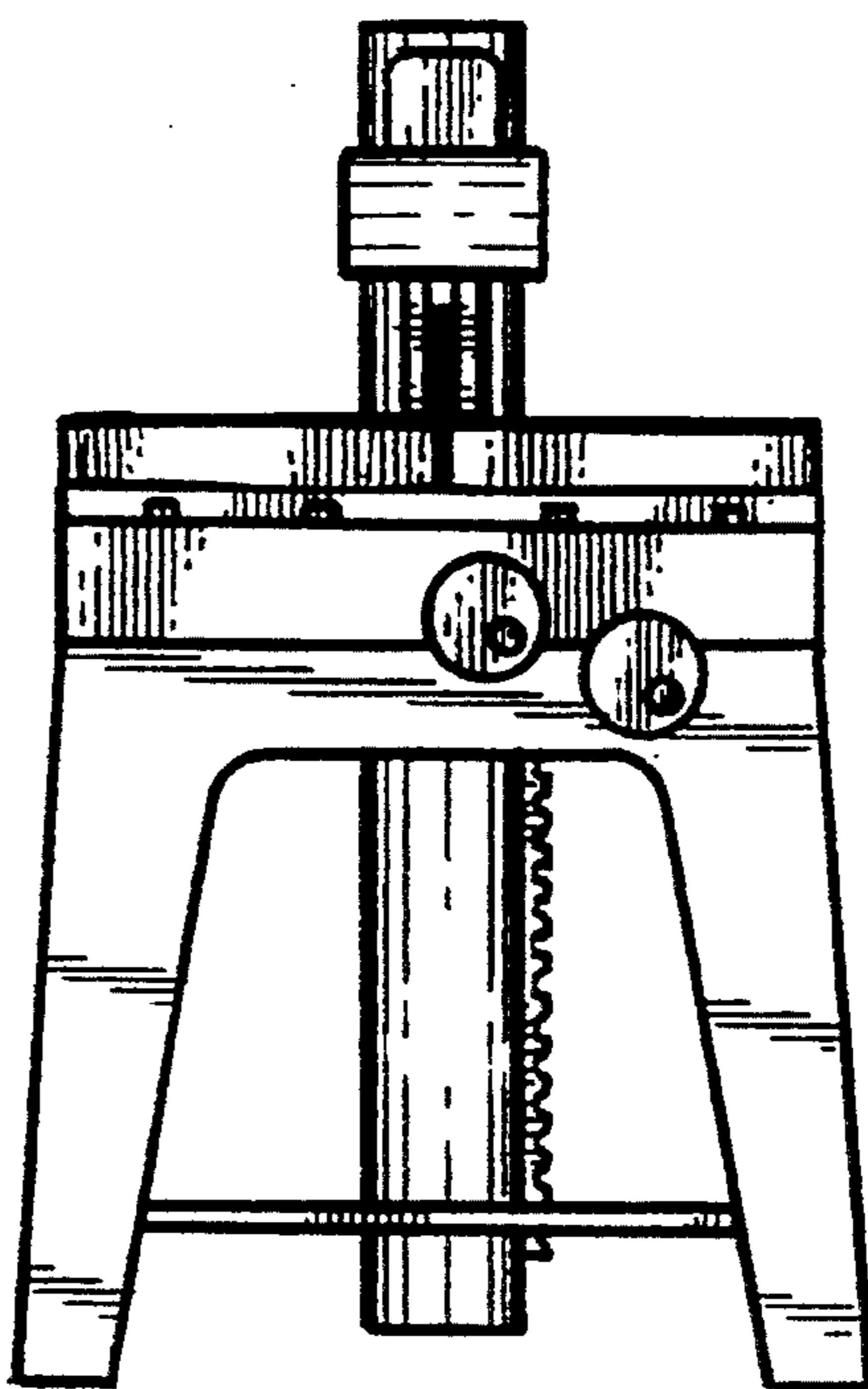


FIG. 3

FIG. 4

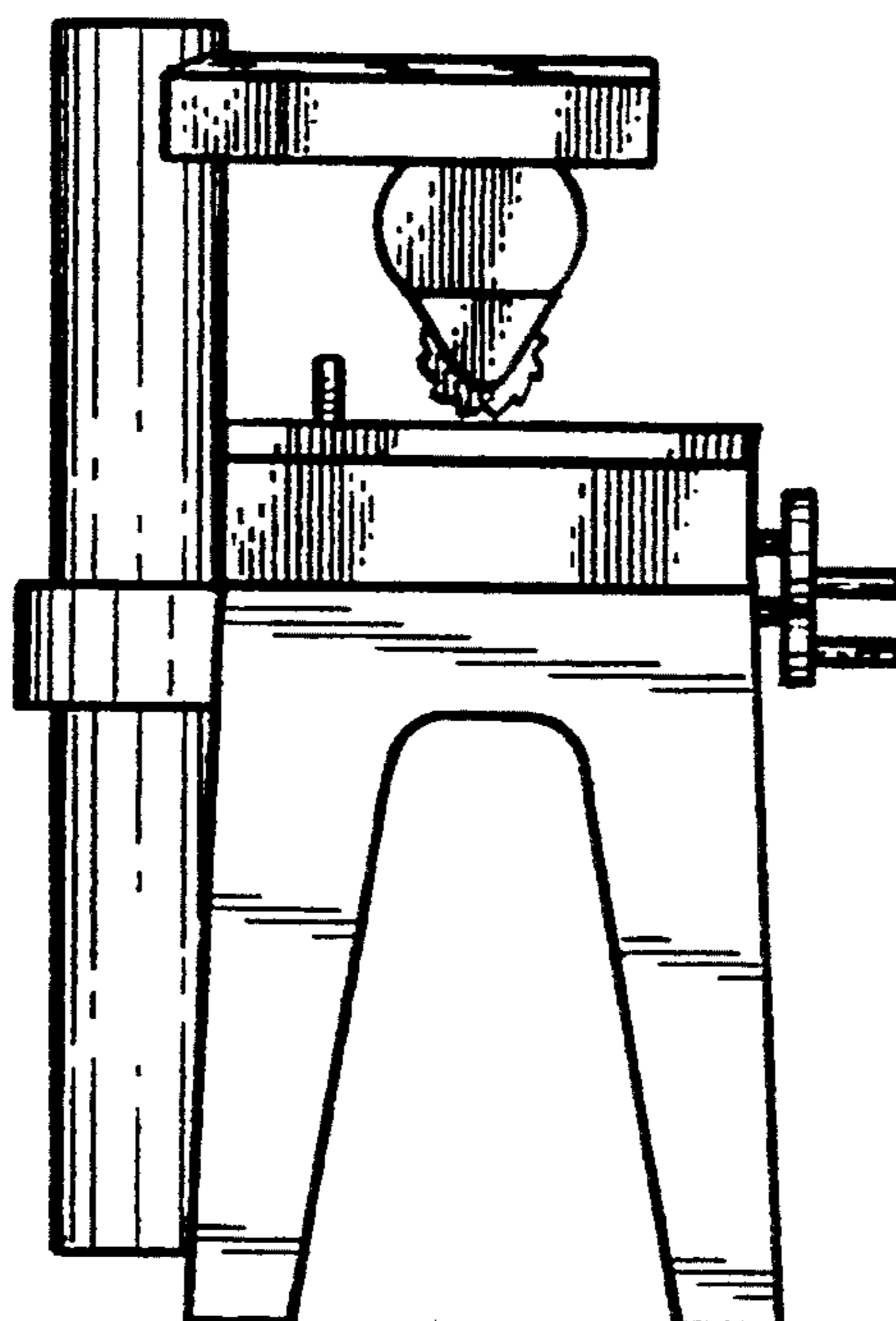
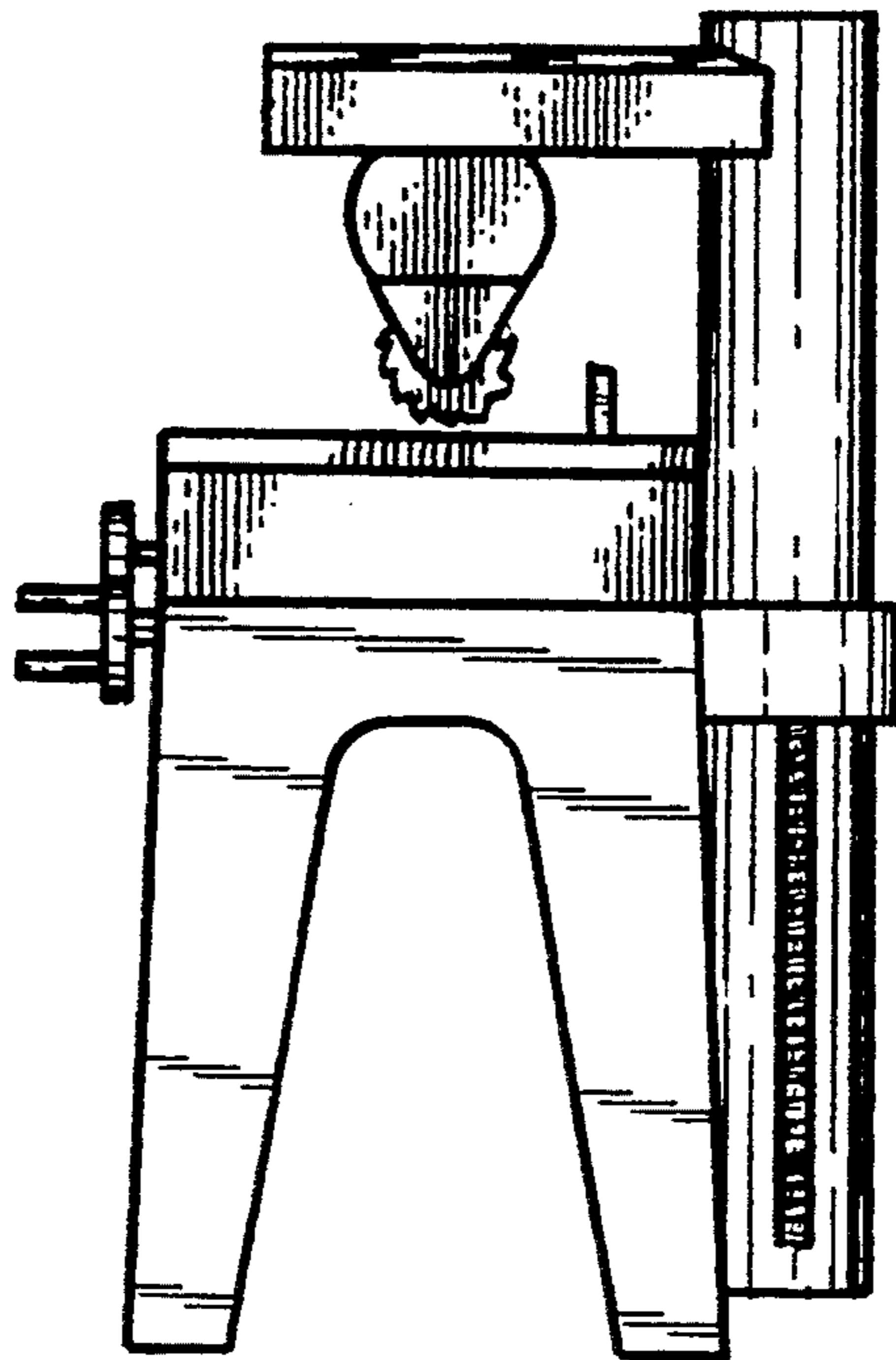


FIG. 5

FIG. 6

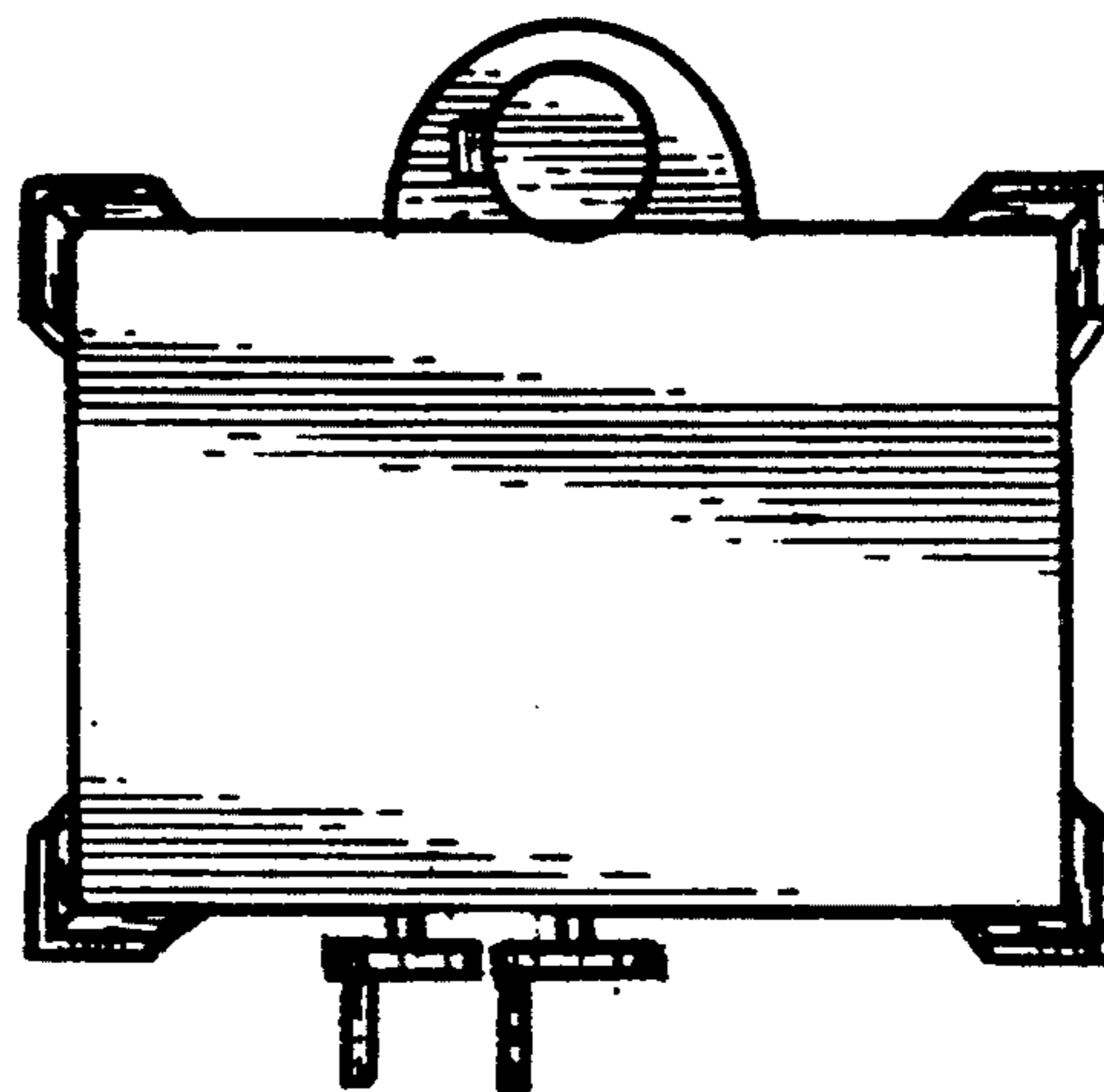
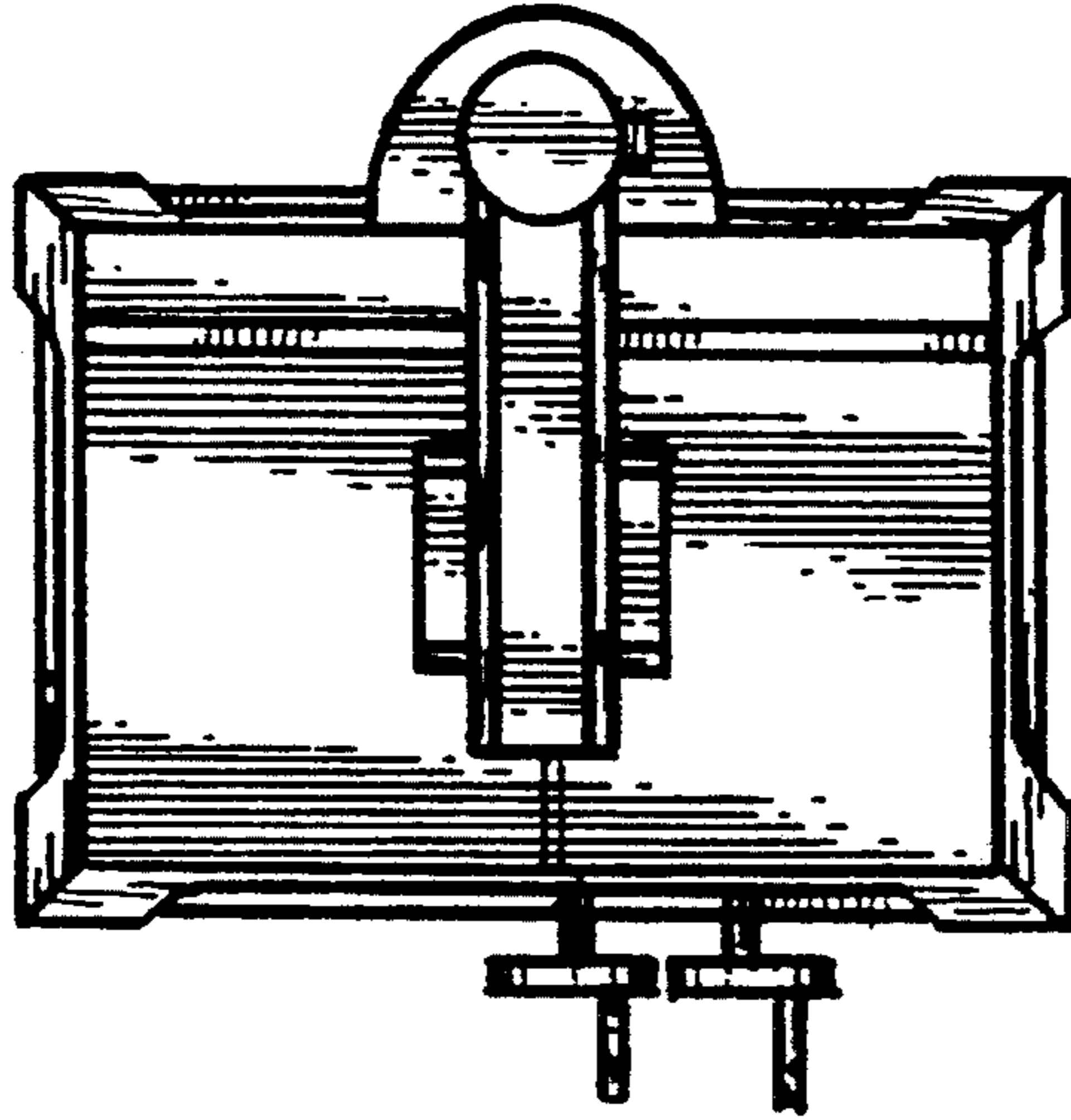


FIG. 7

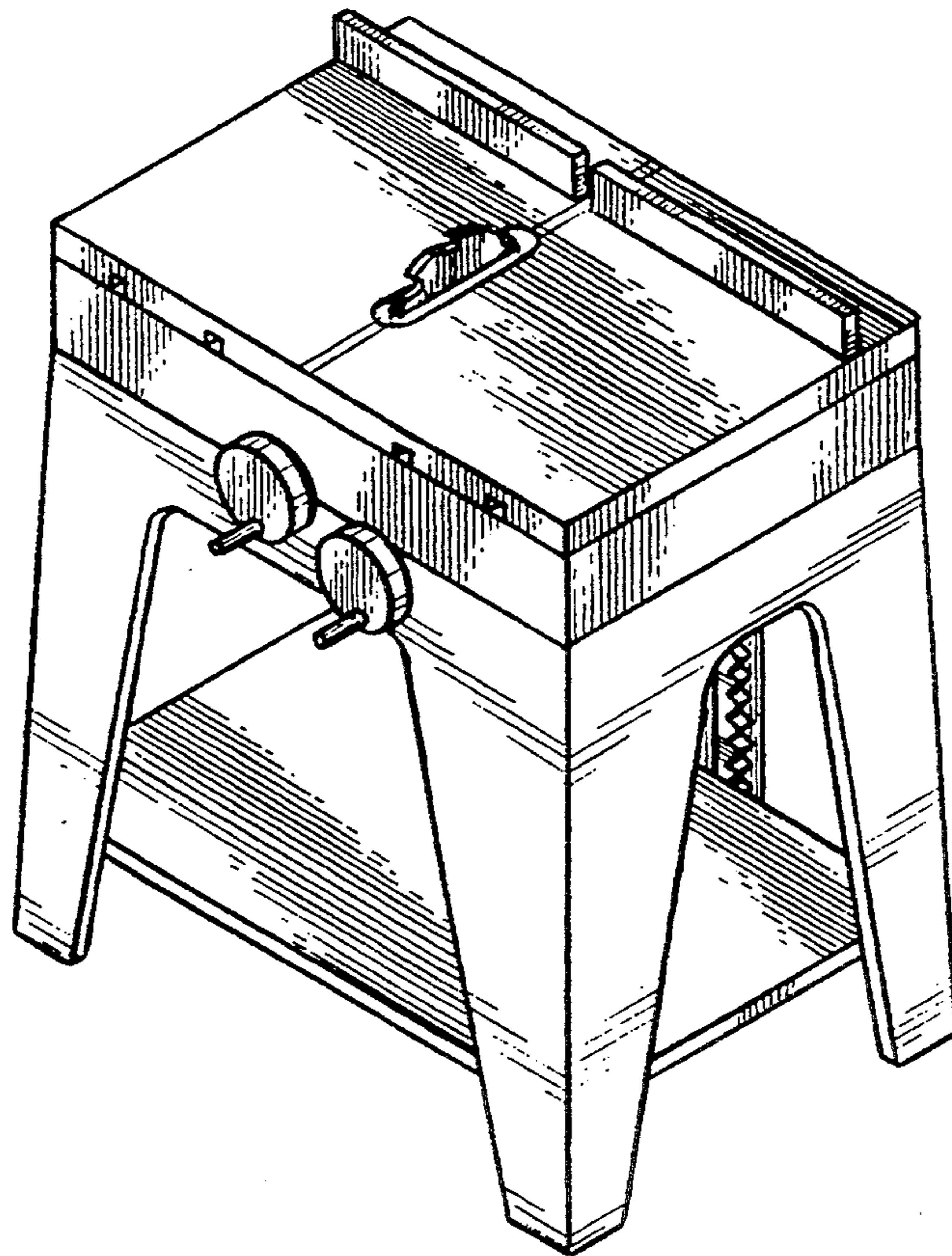


FIG. 8