



US00D361774S

United States Patent [19]

[11] Patent Number: **Des. 361,774**

Barry

[45] Date of Patent: **** Aug. 29, 1995**

[54] **CHAIN SAW ANGLE GUIDE**

[76] Inventor: **Thomas J. Barry**, 10 Ordway Ave.,
Haverhill, Mass. 01830-4348

[**] Term: **14 Years**

[21] Appl. No.: **29,843**

[22] Filed: **Oct. 17, 1994**

[52] U.S. Cl. **D15/133; D15/140**

[58] Field of Search **D15/133, 134, 140;**
30/382-386, 390, 391; 76/80.5, 41, 36, 74;
72/211

4,211,007 7/1980 Gibson 30/383
4,463,630 8/1984 Turner 76/80.5

Primary Examiner—Antoine Duval Davis
Attorney, Agent, or Firm—Harpman & Harpman

[57] **CLAIM**

The ornamental design for a chain saw angle guide, as shown and described.

DESCRIPTION

FIG. 1 is a front, top and side perspective view of the chain saw angle guide embodying the design of the present invention;

FIG. 2 is a front elevational view thereof;

FIG. 3 is a rear elevational view thereof;

FIG. 4 is a left side elevational view thereof;

FIG. 5 is a right side elevational view thereof;

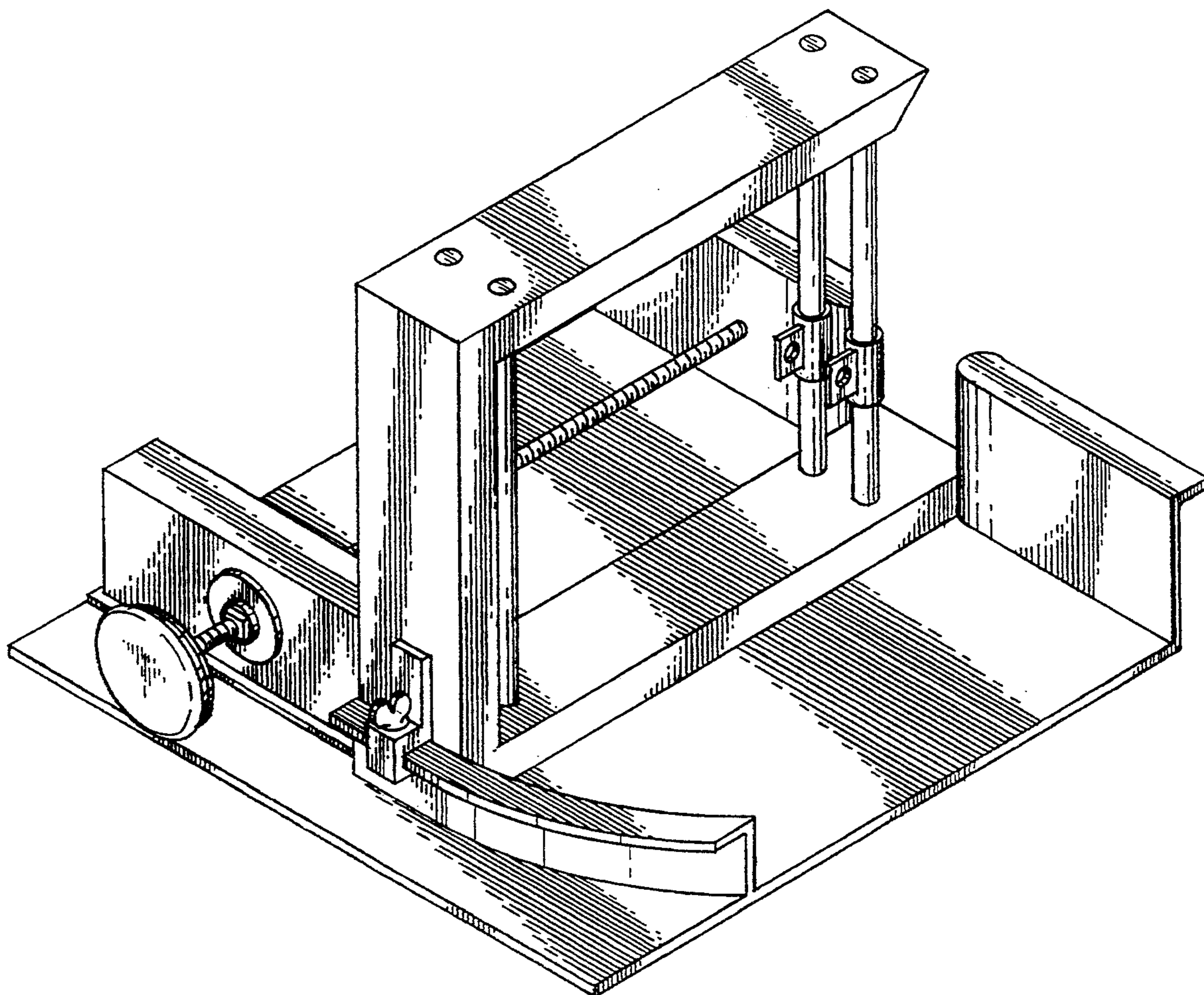
FIG. 6 is a top plan view thereof; and,

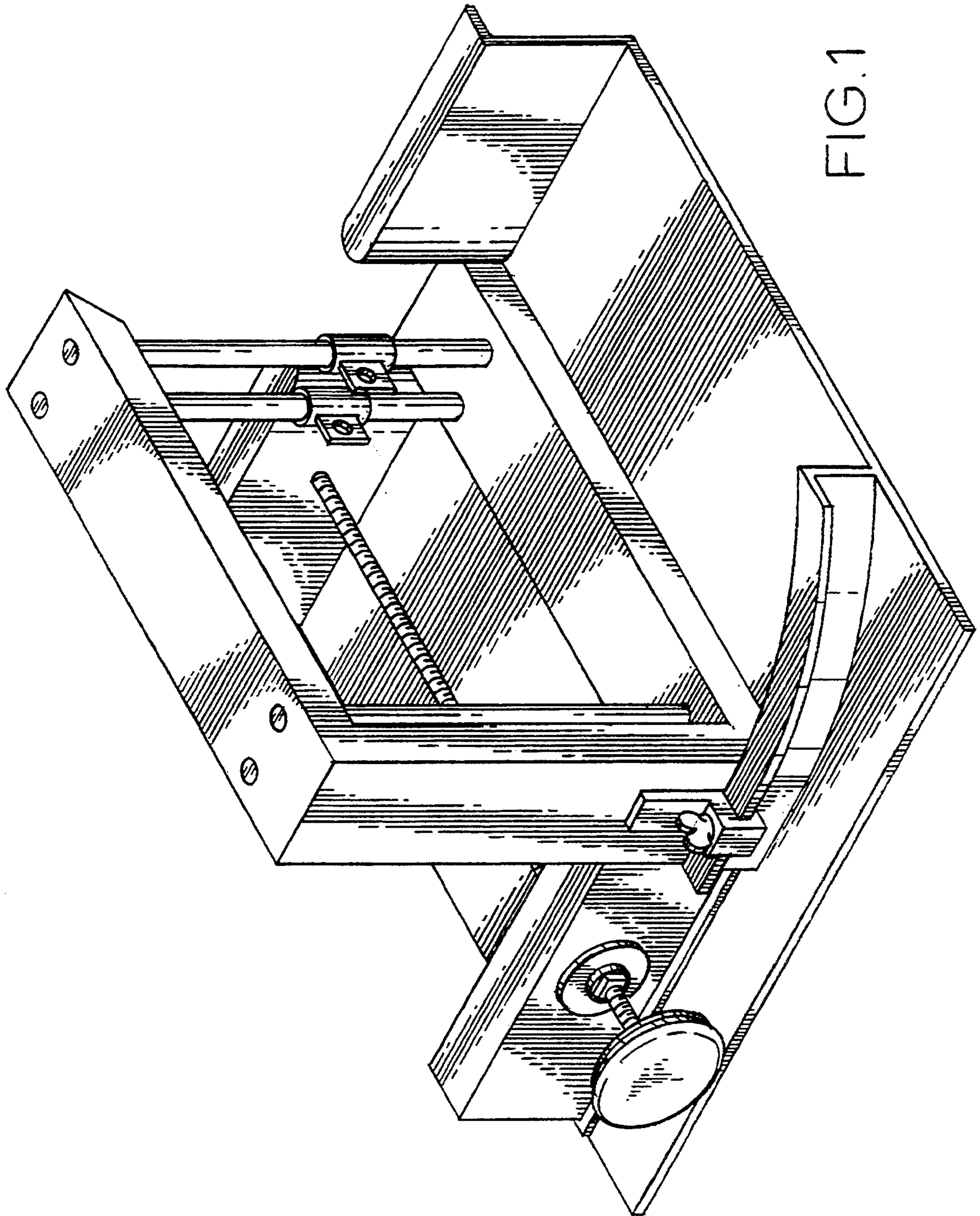
FIG. 7 is a bottom plan view thereof.

[56] **References Cited**

U.S. PATENT DOCUMENTS

- D. 292,407 10/1987 Legler et al. D15/133
- D. 355,254 2/1995 Krafft et al. D15/133 X
- 3,991,470 11/1976 Cartmill 30/382
- 4,057,991 11/1977 Wise et al. 72/211





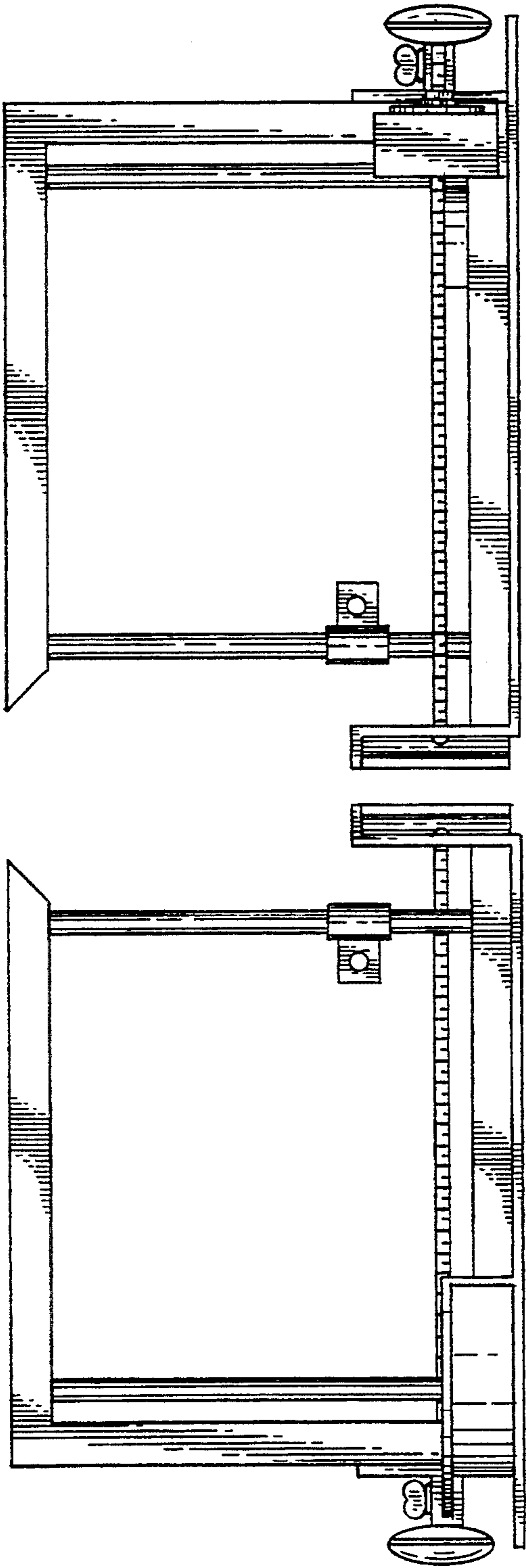


FIG. 3

FIG. 2

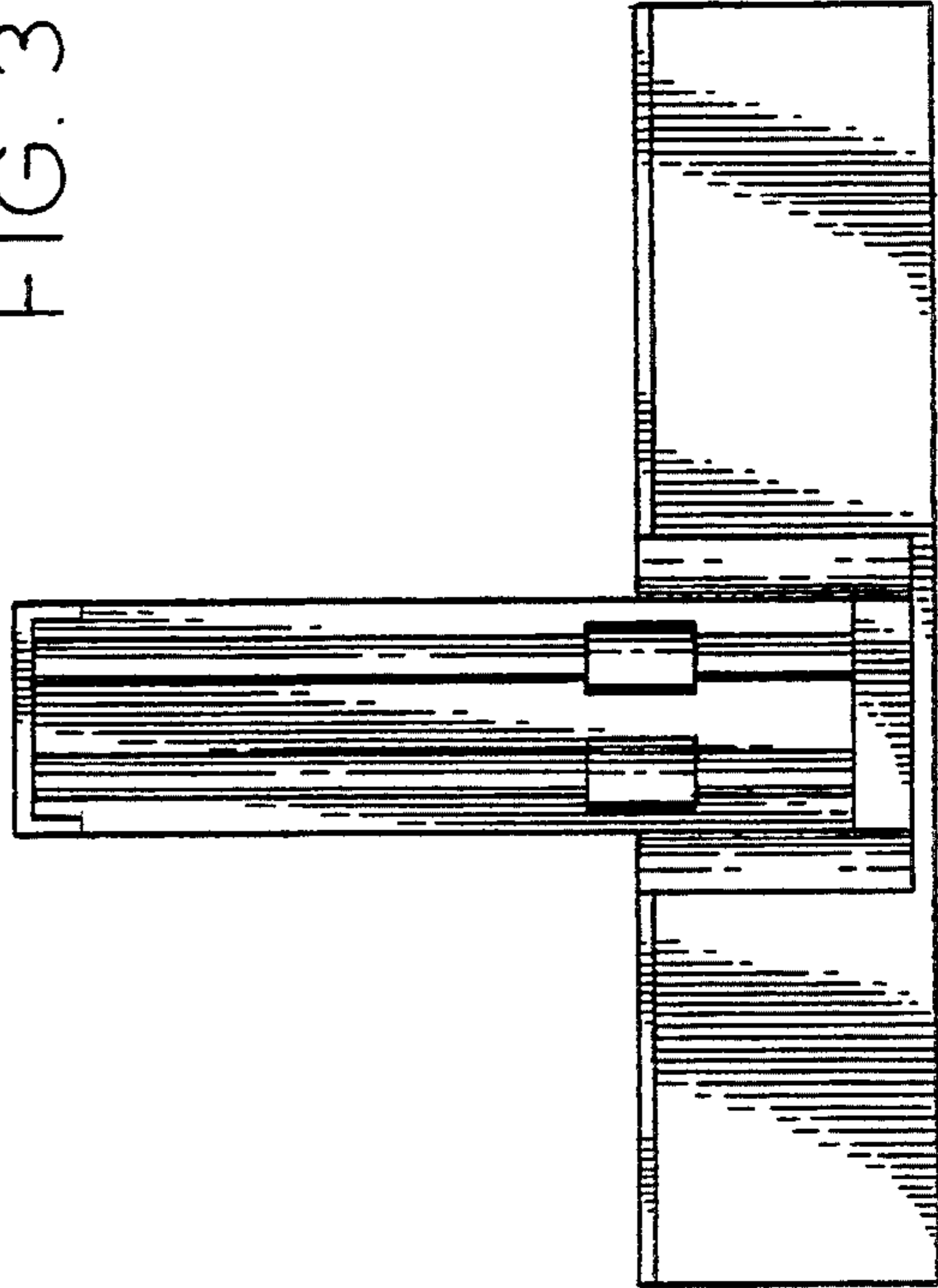


FIG. 5

FIG. 4

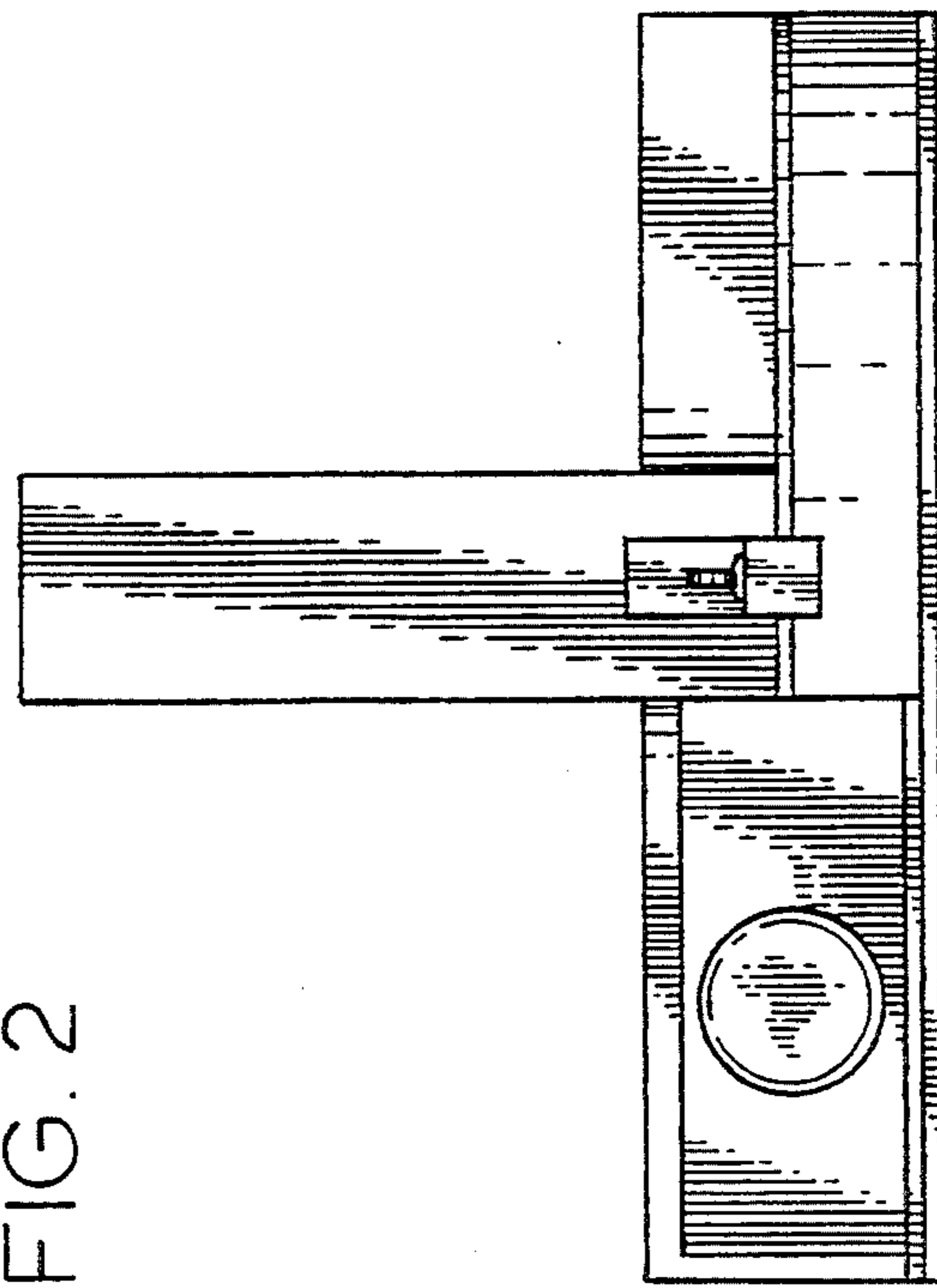




FIG. 6

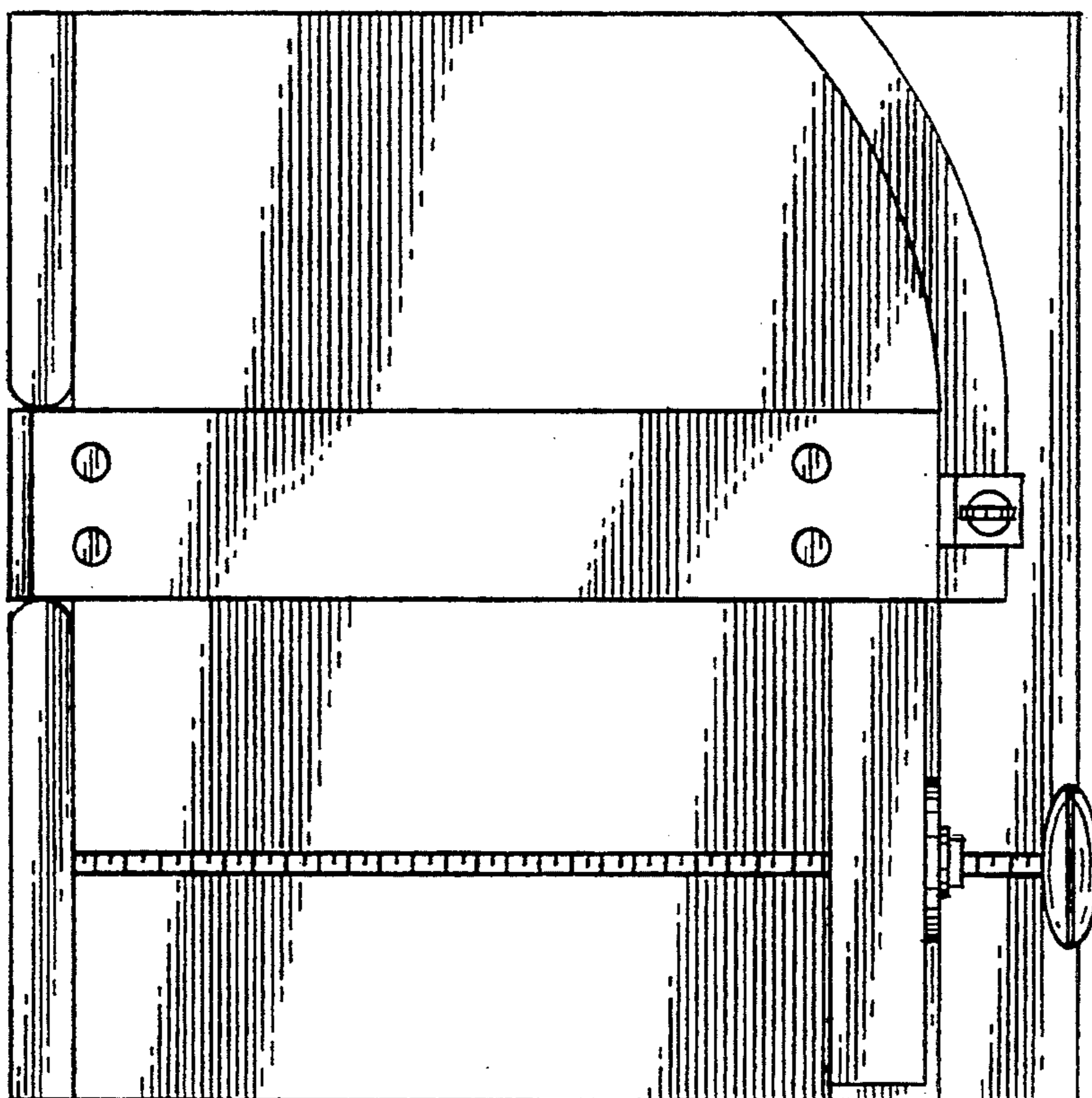


FIG. 7