



US00D361772S

United States Patent [19]

[11] Patent Number: **Des. 361,772**

Hulsey

[45] Date of Patent: **** Aug. 29, 1995**

[54] **FRONT END LOADER ATTACHMENT FOR MOVING ROCKS**

[76] Inventor: **Wayne E. Hulsey, R.R. 4, Box 4228 B, Bangor, Pa. 18013**

[**] Term: **14 Years**

[21] Appl. No.: **21,145**

[22] Filed: **Apr. 11, 1994**

[52] U.S. Cl. **D15/32; D15/28**

[58] Field of Search **D15/10, 11, 22-29, D15/32; 37/303, 407, 442; 172/451, 697, 766, 811; 414/685, 721, 722**

3,247,605	4/1966	Watson et al.	37/303
3,437,155	4/1969	Honrud	172/566
3,458,981	8/1969	Banner	172/766
3,523,586	8/1970	Kubecka	172/451
4,333,535	6/1982	Hentrich	172/566

FOREIGN PATENT DOCUMENTS

1008719	4/1977	Canada	172/766
---------	--------	--------------	---------

Primary Examiner—Sandra L. Morris
Attorney, Agent, or Firm—Terry M. Gernstein

[57] CLAIM

The ornamental design for a front end loader attachment for moving rocks, as shown and described.

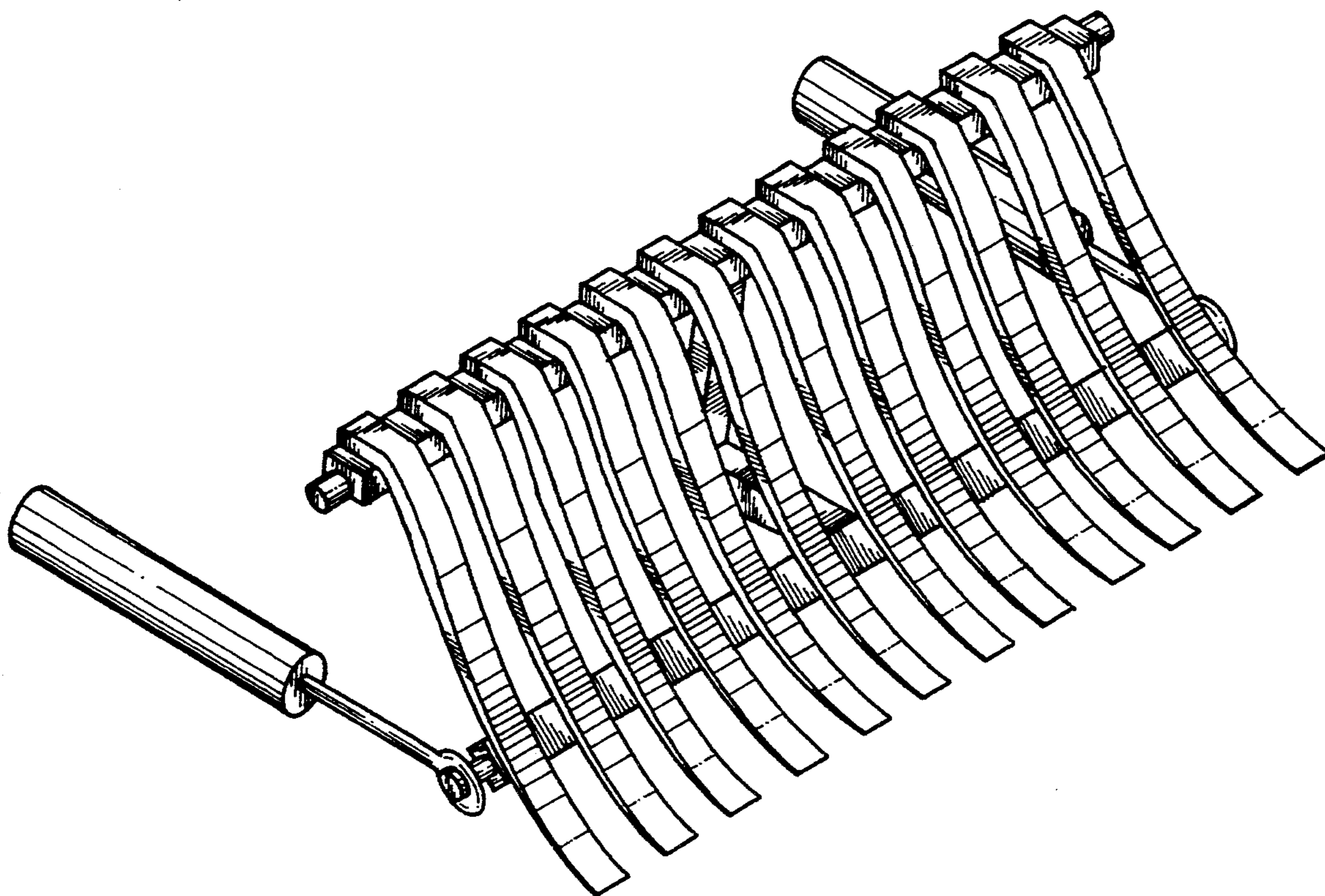
DESCRIPTION

FIG. 1 is a front, top and side perspective view of the front end loader attachment for moving rocks showing my new design;
 FIG. 2 is a front elevational view thereof;
 FIG. 3 is a rear elevational view thereof;
 FIG. 4 is a side elevational view thereof, the side opposite being a mirror image of the side shown in FIG. 4;
 FIG. 5 is a top plan view thereof; and,
 FIG. 6 is a bottom plan view thereof.

[56] References Cited

U.S. PATENT DOCUMENTS

D. 141,948	8/1945	Michaels	D15/32
1,191,554	7/1916	Berres	37/303
1,501,224	7/1924	McDonald	172/566
2,652,939	9/1953	Burch	414/721
2,731,896	1/1956	Wurster	172/766
2,806,303	9/1957	Boyle	37/303
2,868,399	1/1959	Fortier	414/685
2,932,100	4/1960	Goethe	172/766



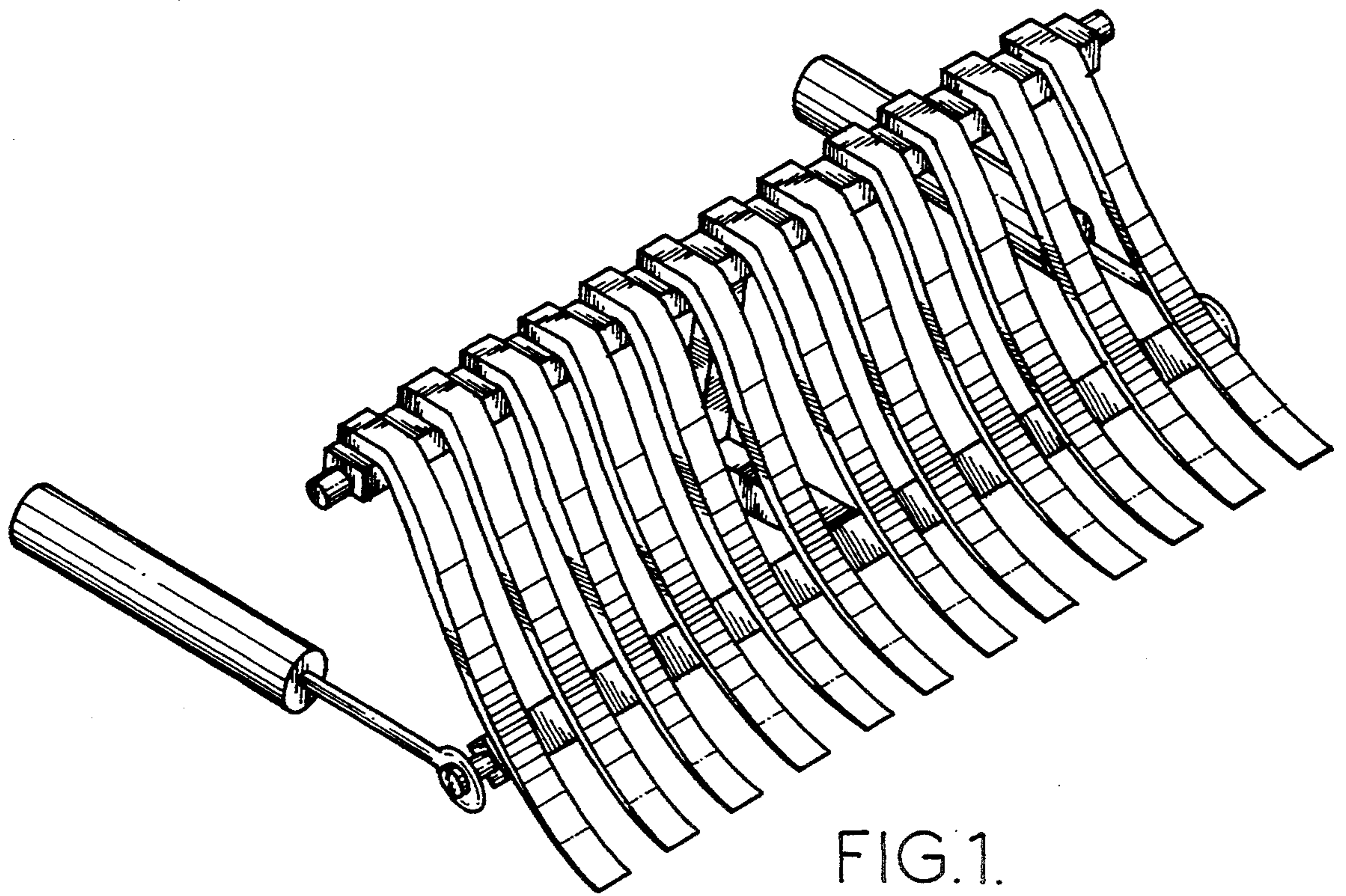


FIG.1.

FIG. 2.

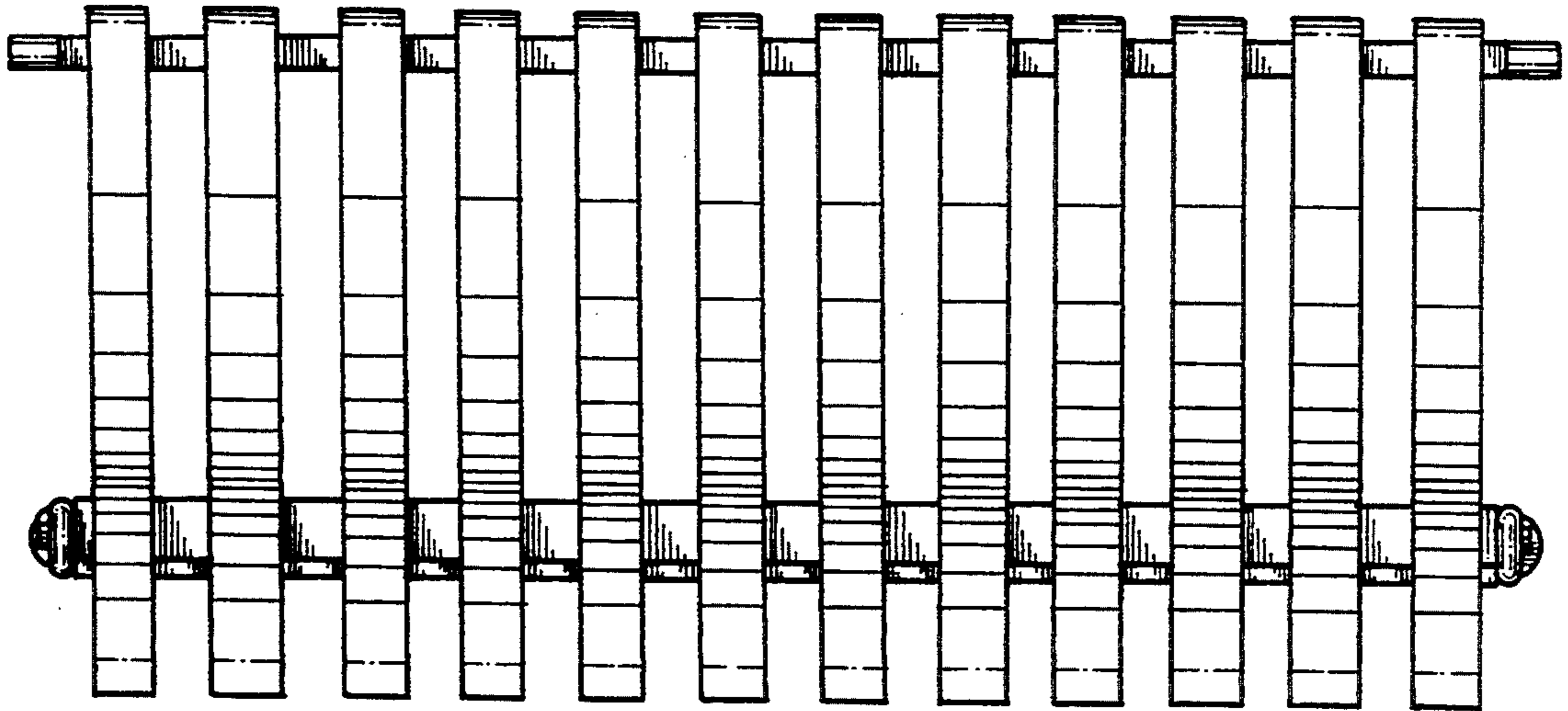
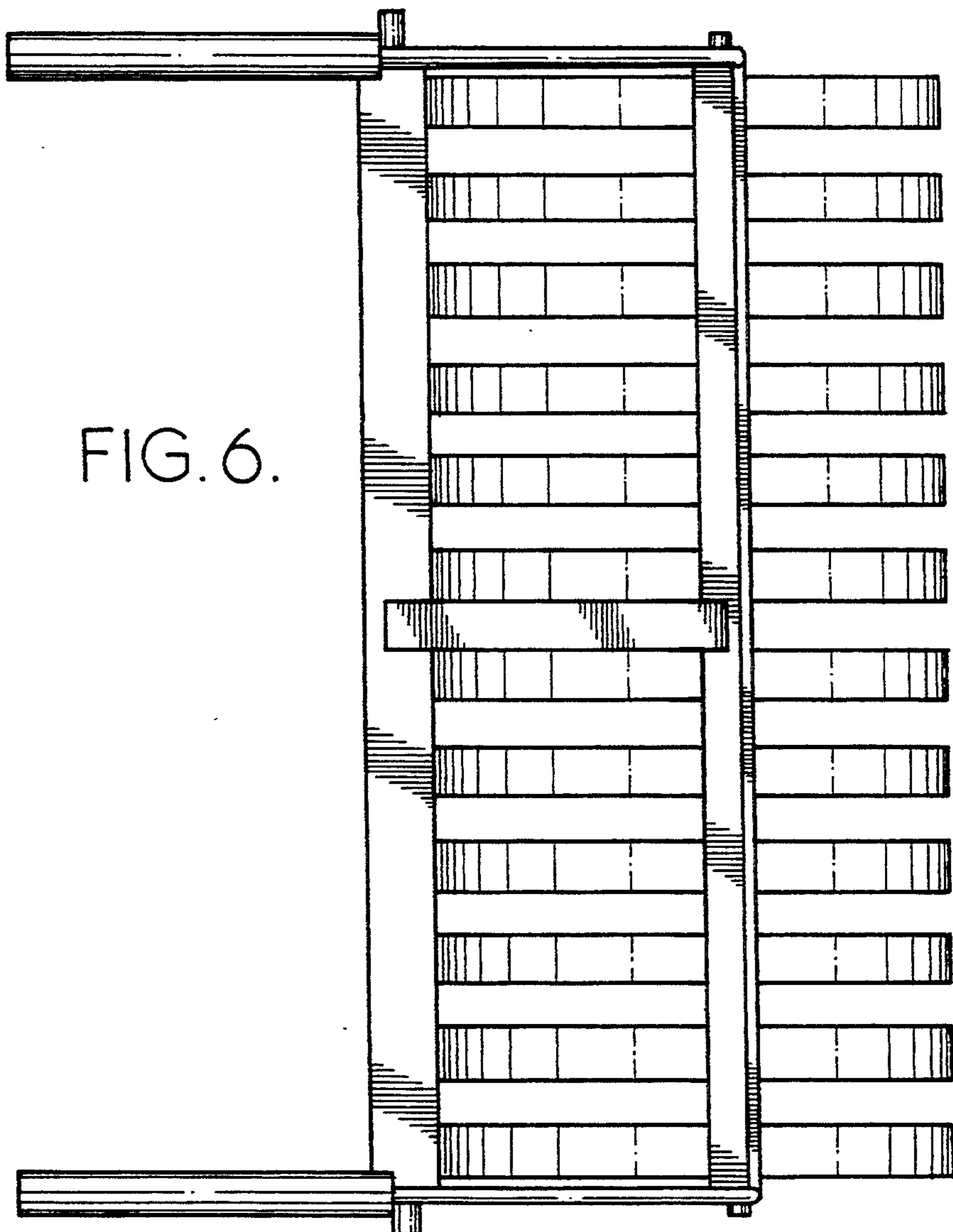


FIG. 6.



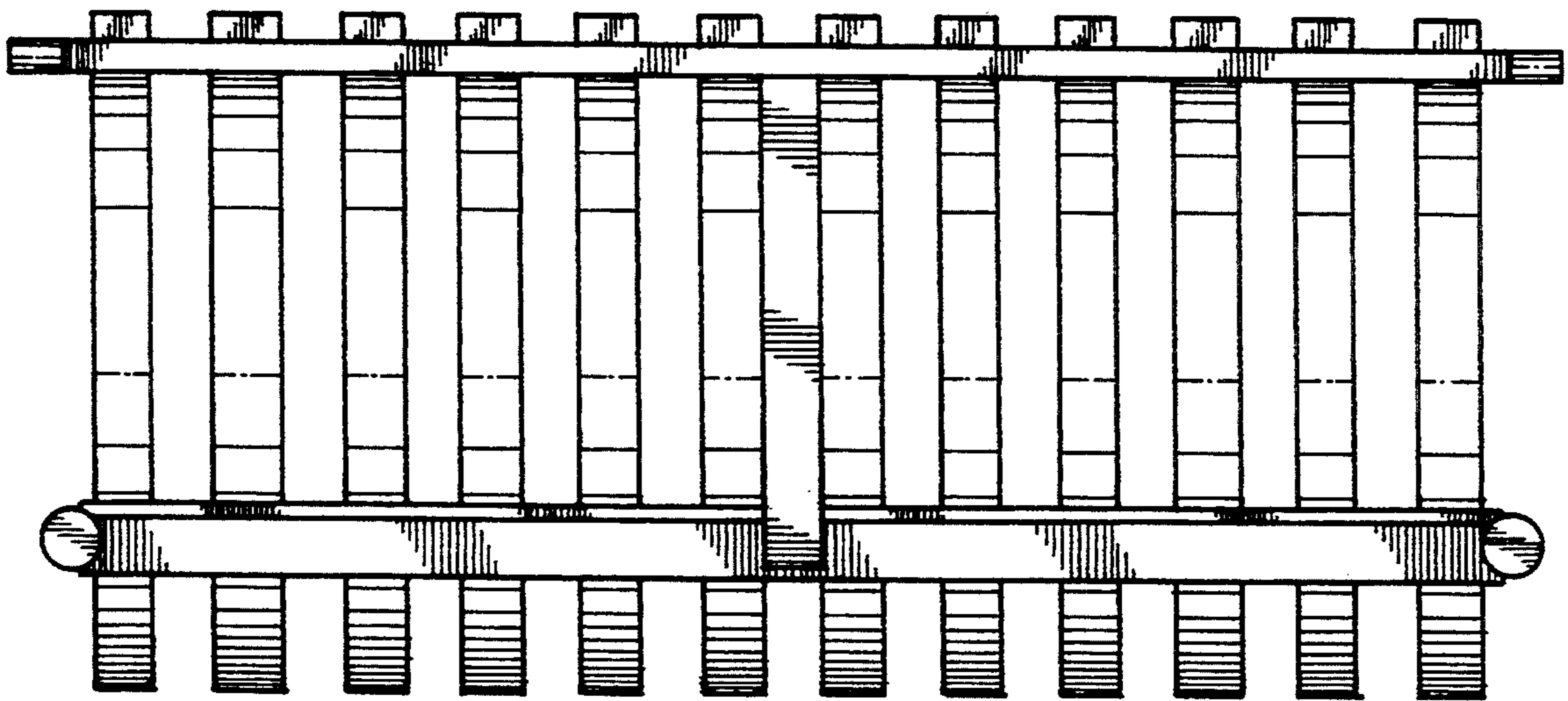


FIG. 3.

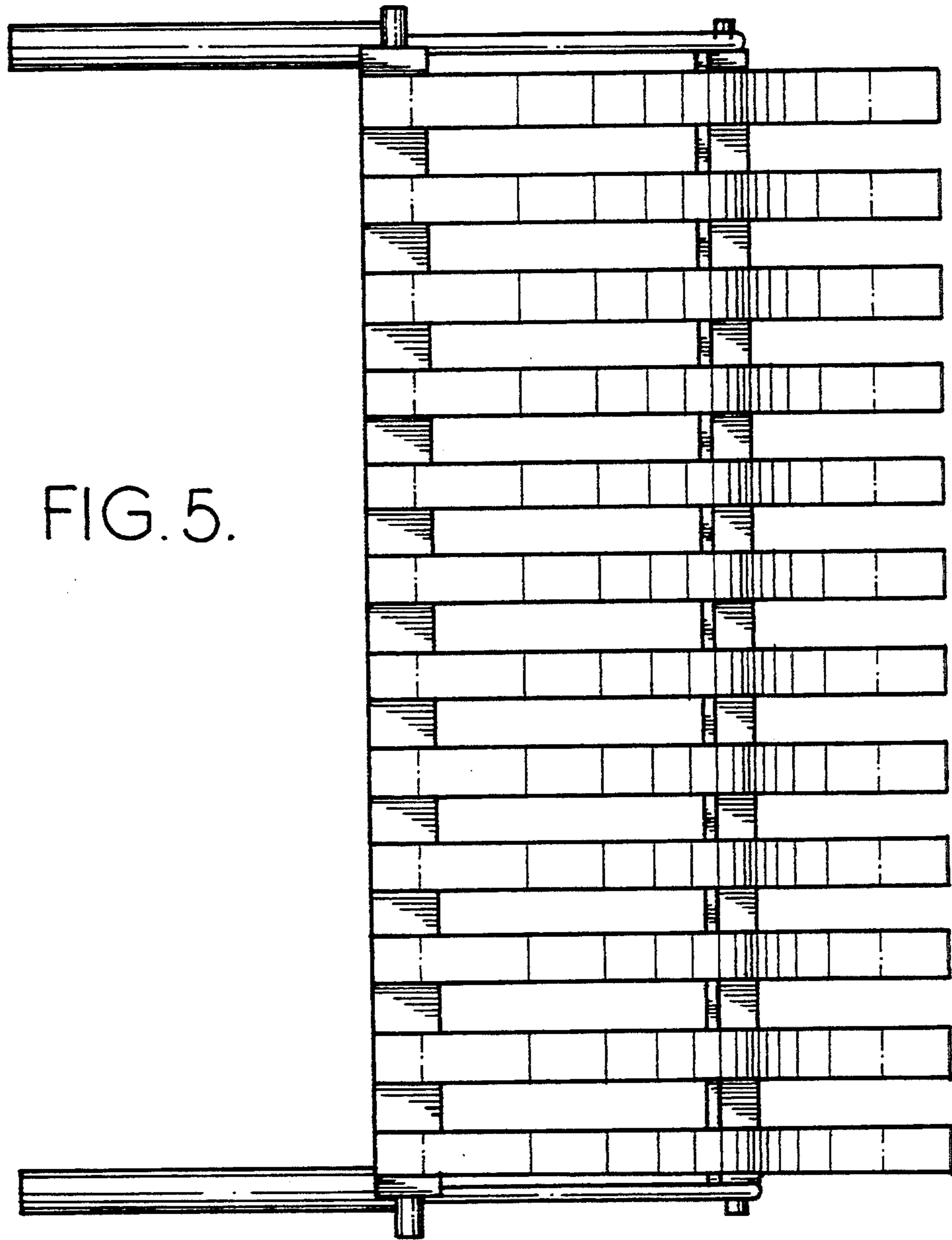


FIG. 5.

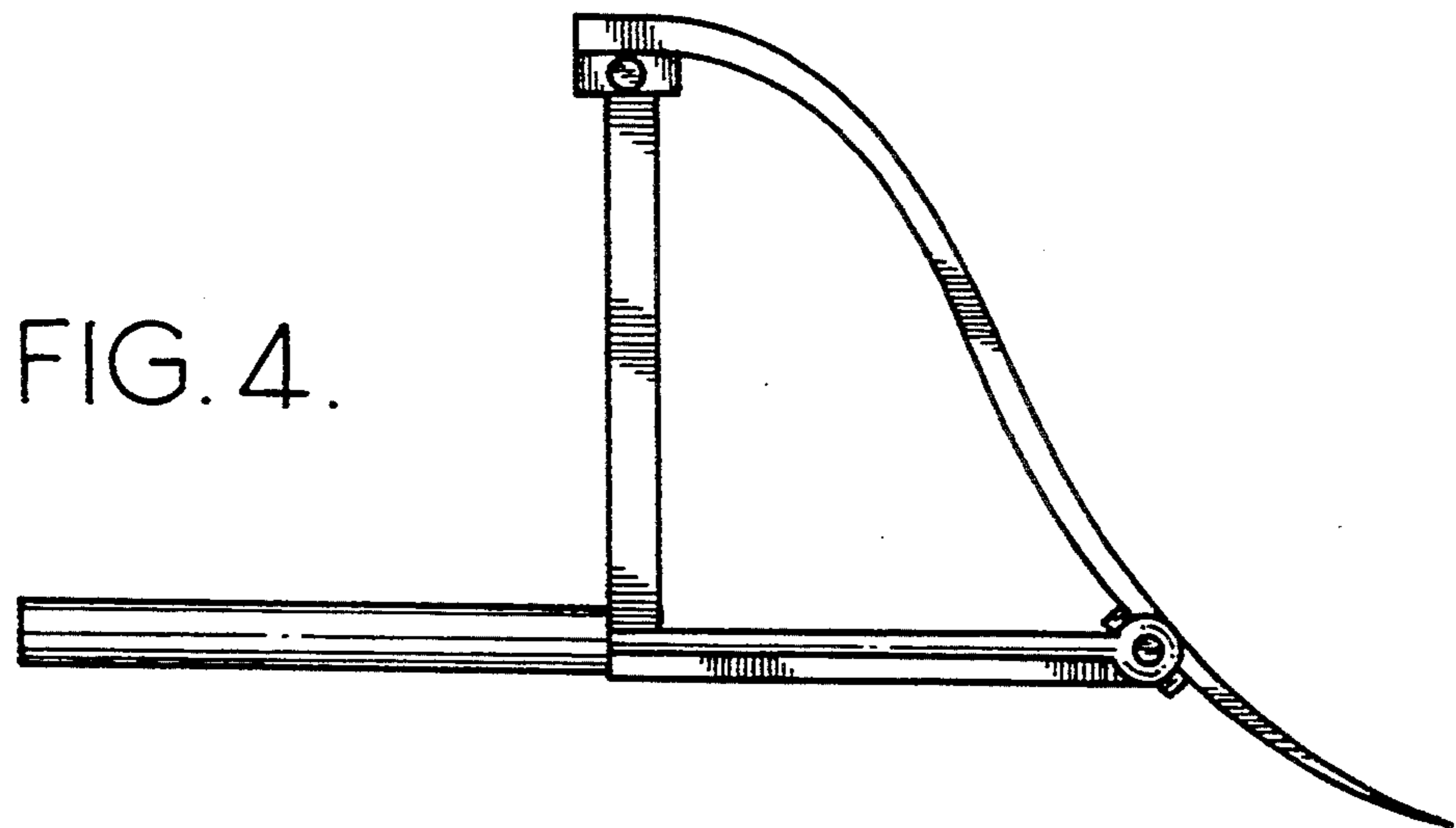


FIG. 4.