



US00D361771S

United States Patent [19]

[11] Patent Number: Des. 361,771

Ledingham

[45] Date of Patent: ** Aug. 29, 1995

[54] LAWNMOWER

[76] Inventor: John Ledingham, 9009 White Oak La., Apt. #102, Bayside, Wis. 53712

[**] Term: 14 Years

[21] Appl. No.: 26,121

[22] Filed: Jul. 19, 1994

[52] U.S. Cl. D15/14

[58] Field of Search D15/14-18;
56/13.4, 13.7, 16.7, 17.5, 202, 255, 294, 320.1,
320.2

Horticulture, May 1993, p. 49 Ryobi mulching mower. Husgvarna manual regarding battery-powered electric lawnmower, published Mar., 1993 in Sweden. AL-KO Kober brochure entitled "AL-KO Accu Tec 32" published Aug., 1993. "Electric mower that really works" Popular Science, Mar., 1974, pp. 28 etc. Lawn-Boy—19" Cordless Electric Mower model 5801 pp. 1-20. undated.

Primary Examiner—Sandra L. Morris
Attorney, Agent, or Firm—Michael, Best & Friedrich

[57] CLAIM

The ornamental design for a lawnmower, as shown and described.

DESCRIPTION

FIG. 1 is a perspective view of the lawnmower, showing my new design, the broken line showing of the handle is for illustrative purposes only, and forms no part of the claimed design;
FIG. 2 is a top plan view of the lawnmower according to the present invention;
FIG. 3 is a front side view of the lawnmower according to the present invention;
FIG. 4 is a front view of the lawnmower according to the present invention;
FIG. 5 is a side view from the opposite side of the lawnmower according to the present invention; and,
FIG. 6 is a rear view of the lawnmower according to the present invention.

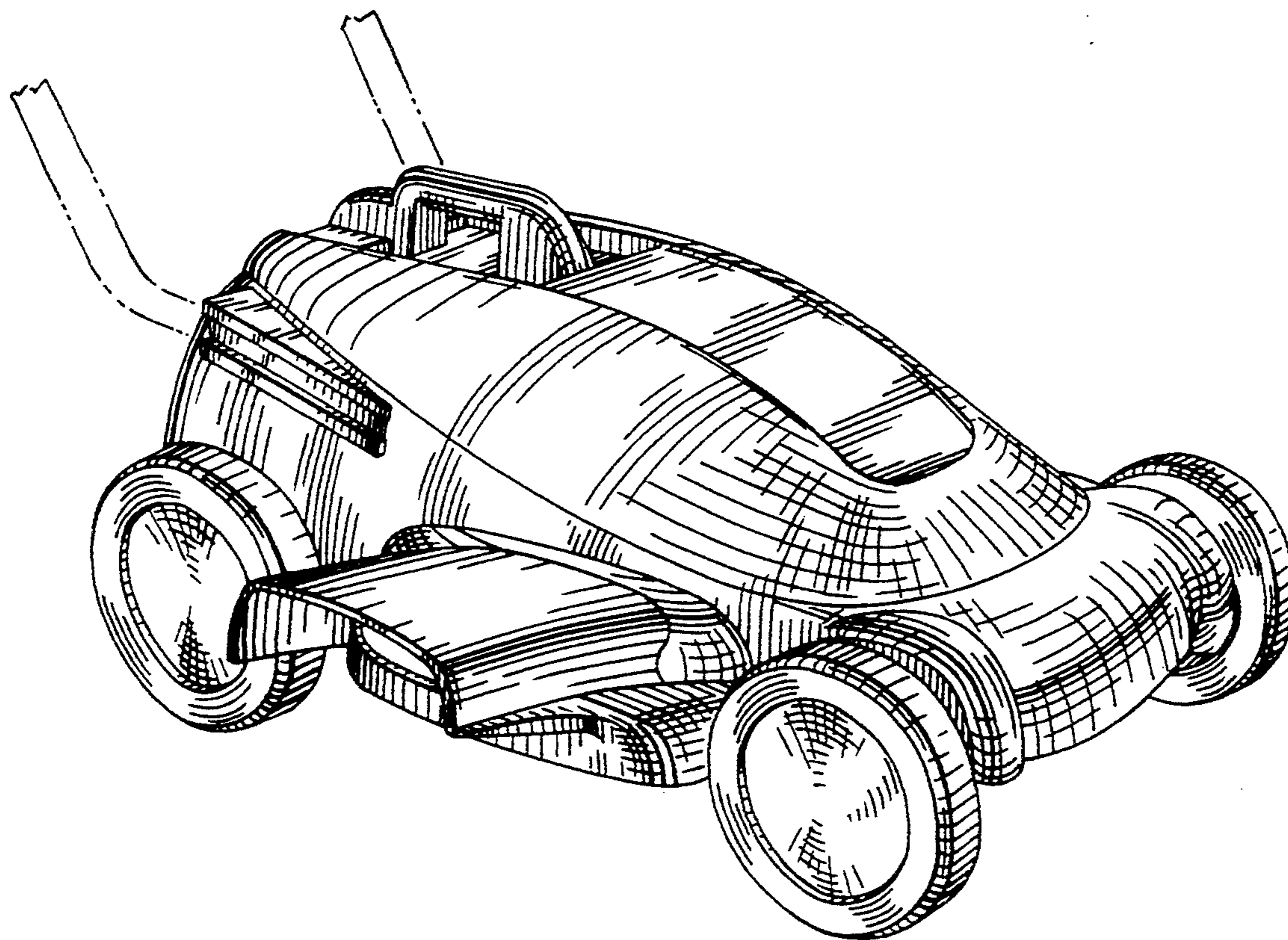
[56] References Cited

U.S. PATENT DOCUMENTS

D. 172,807	8/1954	Rosenberg	D40/1
D. 330,210	10/1992	Sirois et al.	D15/14
D. 333,309	2/1993	Hess et al.	D15/14
D. 346,810	5/1994	Schulz et al.	D15/14
D. 347,640	6/1994	Chunn et al.	D15/14
3,150,479	9/1964	Wolf	56/25.4
4,351,143	9/1982	Lessig, III	56/17.5
5,101,617	4/1992	Hare et al.	56/17.4
5,163,275	11/1992	Hare et al.	56/16.7
5,261,215	11/1993	Hartz et al.	56/11.9

OTHER PUBLICATIONS

1989 Sears Catalog, p. 24 Craftsman Rear-Bagger Electric Mower.
Black & Decker 1991 Catalog, p. 5. Flip-Over Handle Mower.



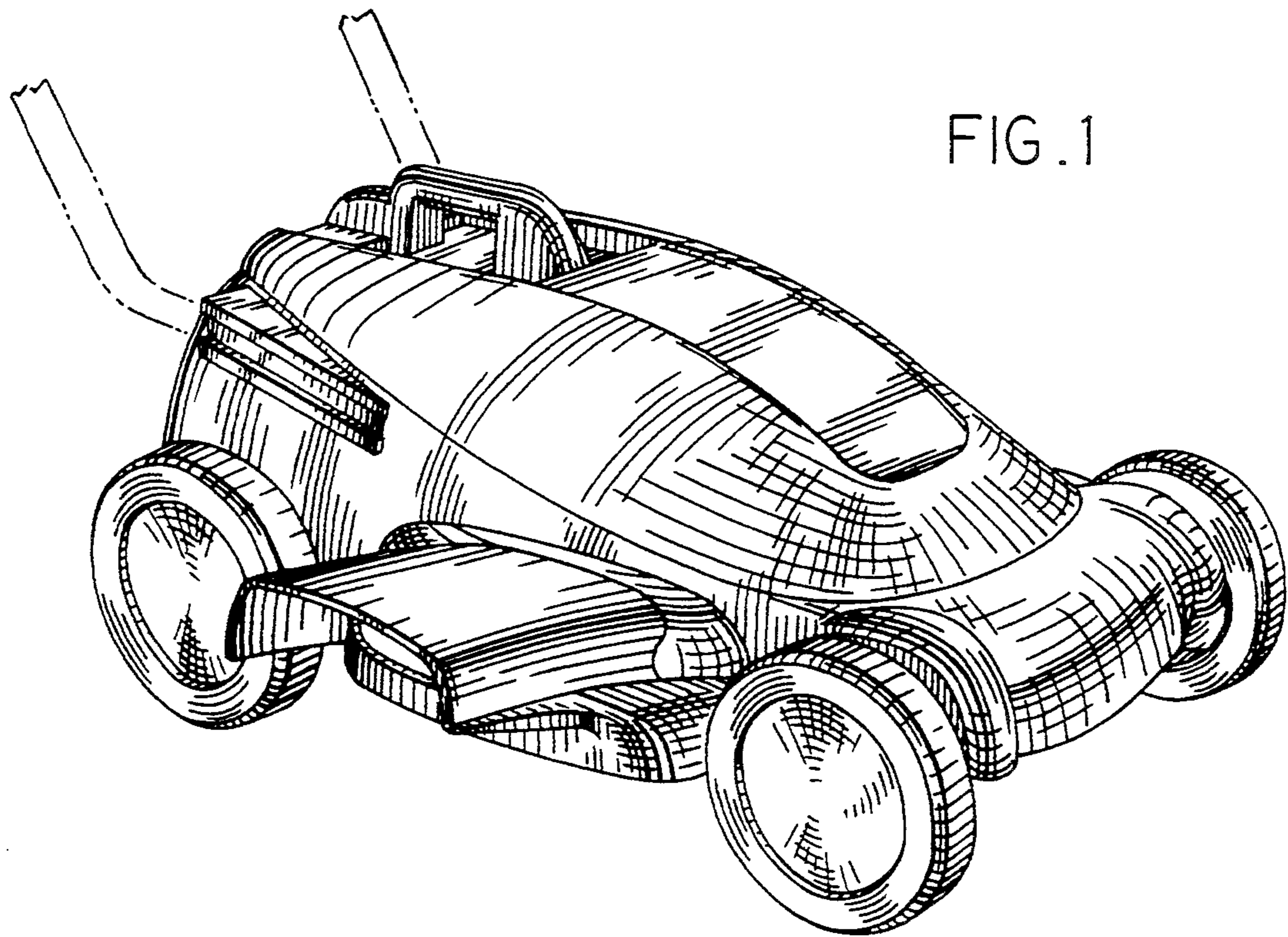


FIG. 1

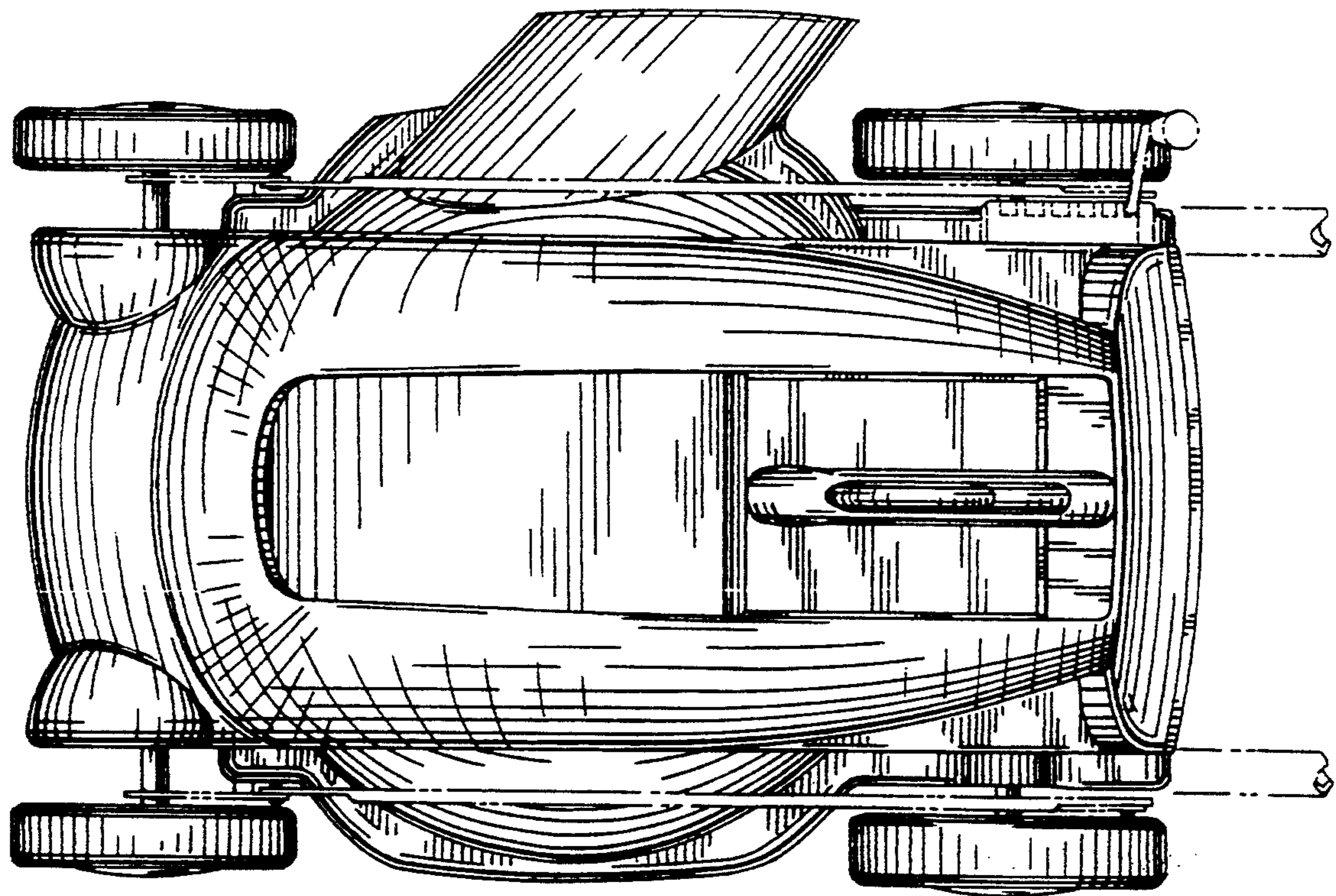


FIG. 2

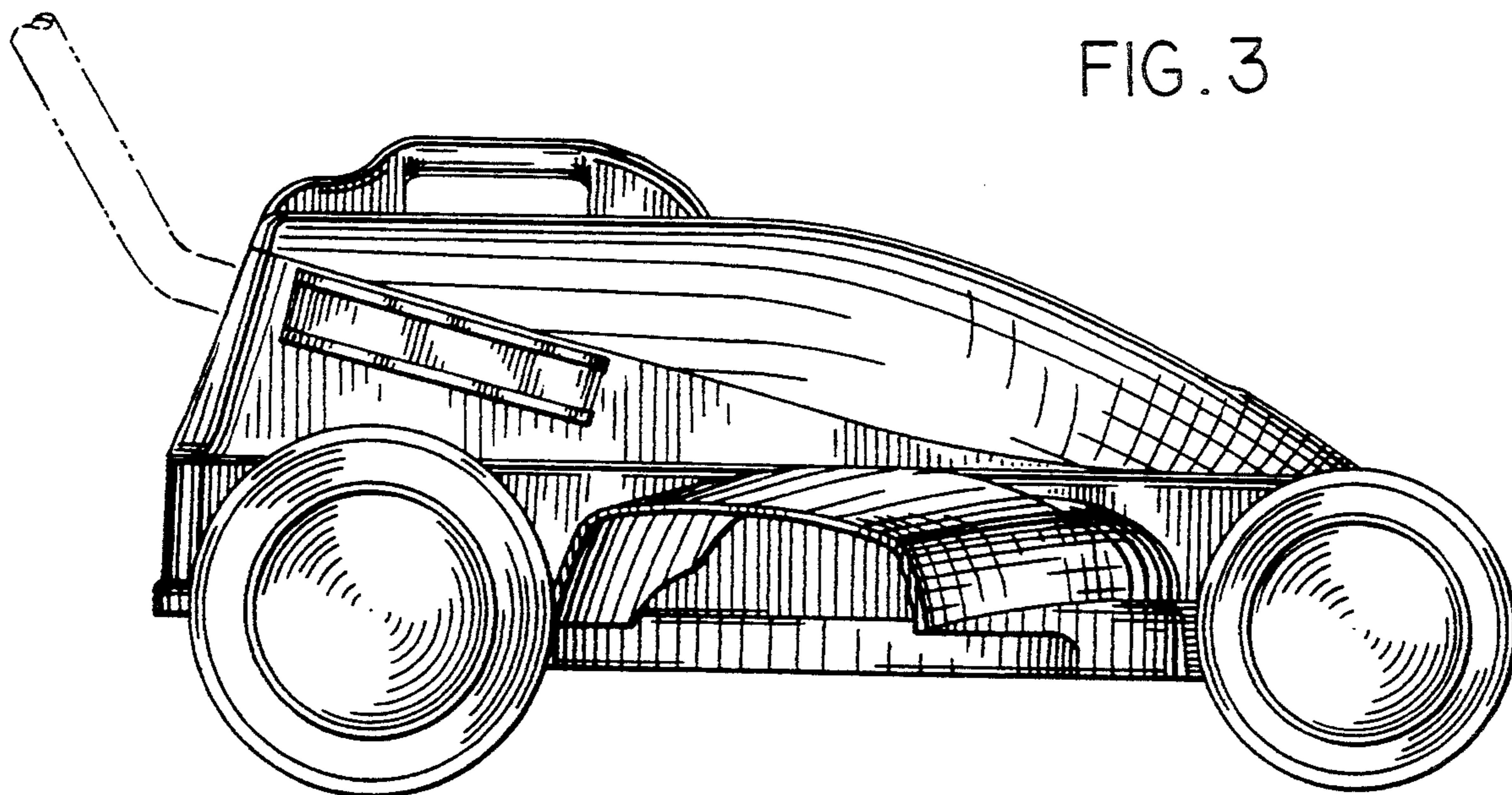


FIG. 3

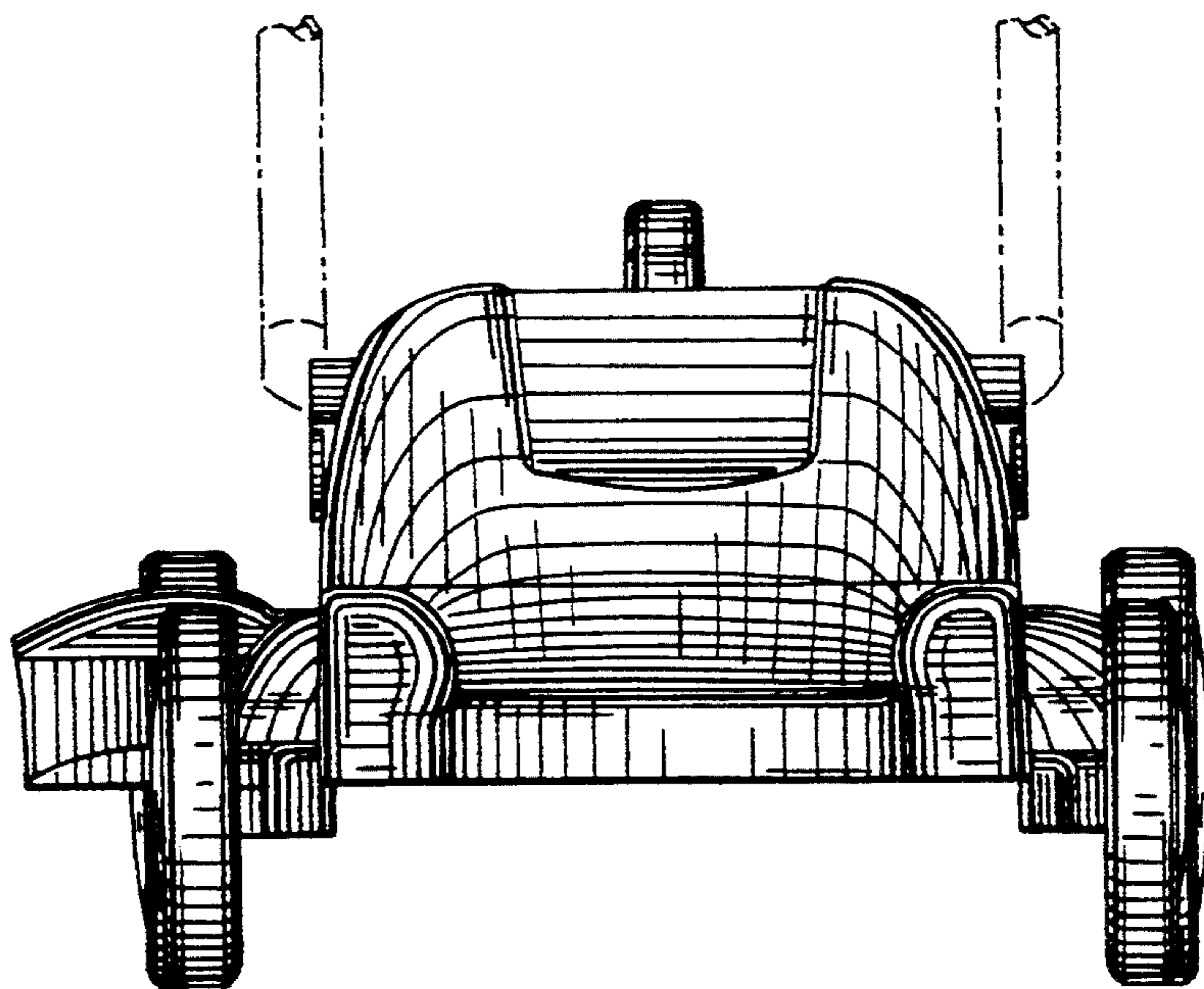


FIG. 4

FIG. 5

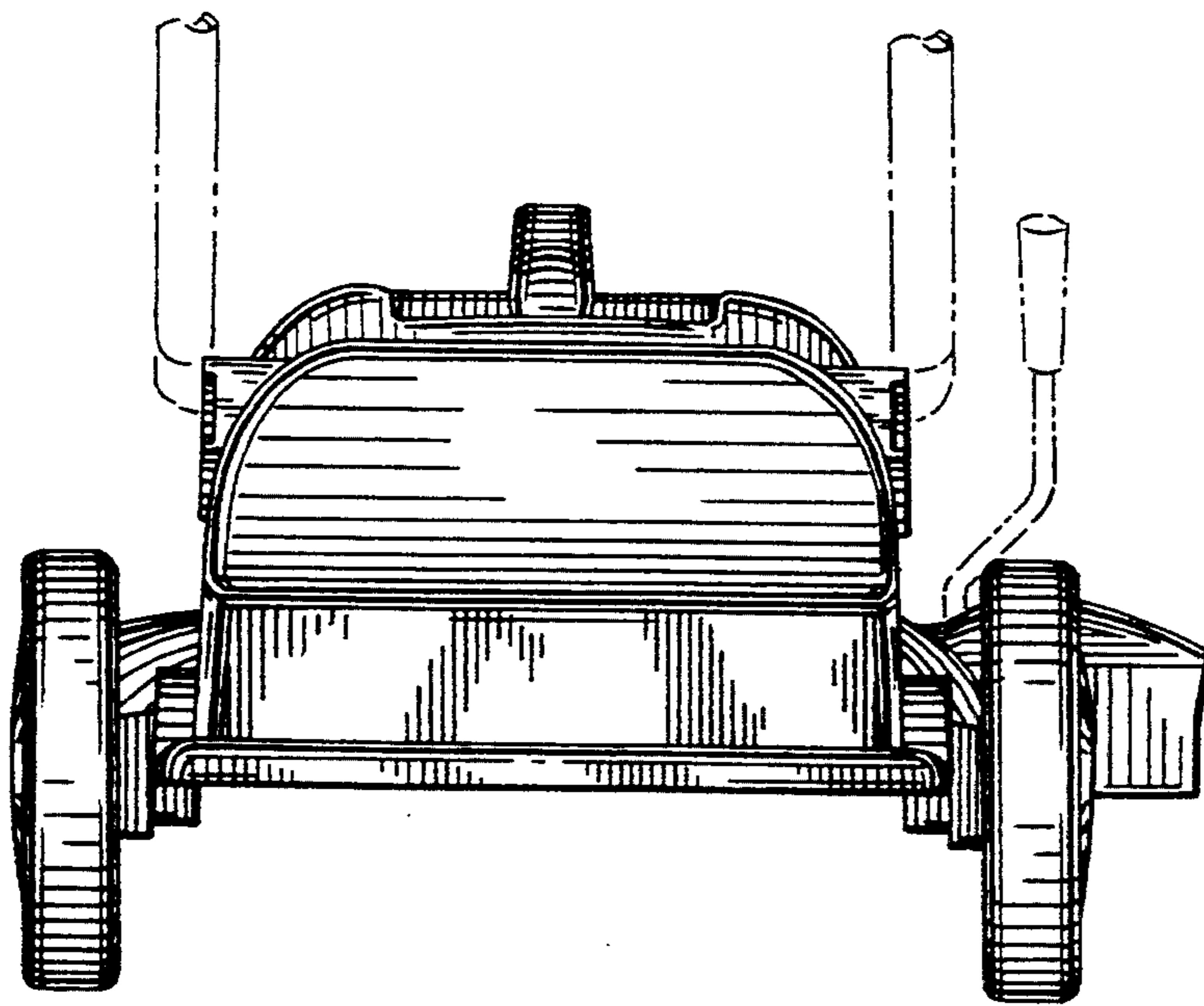
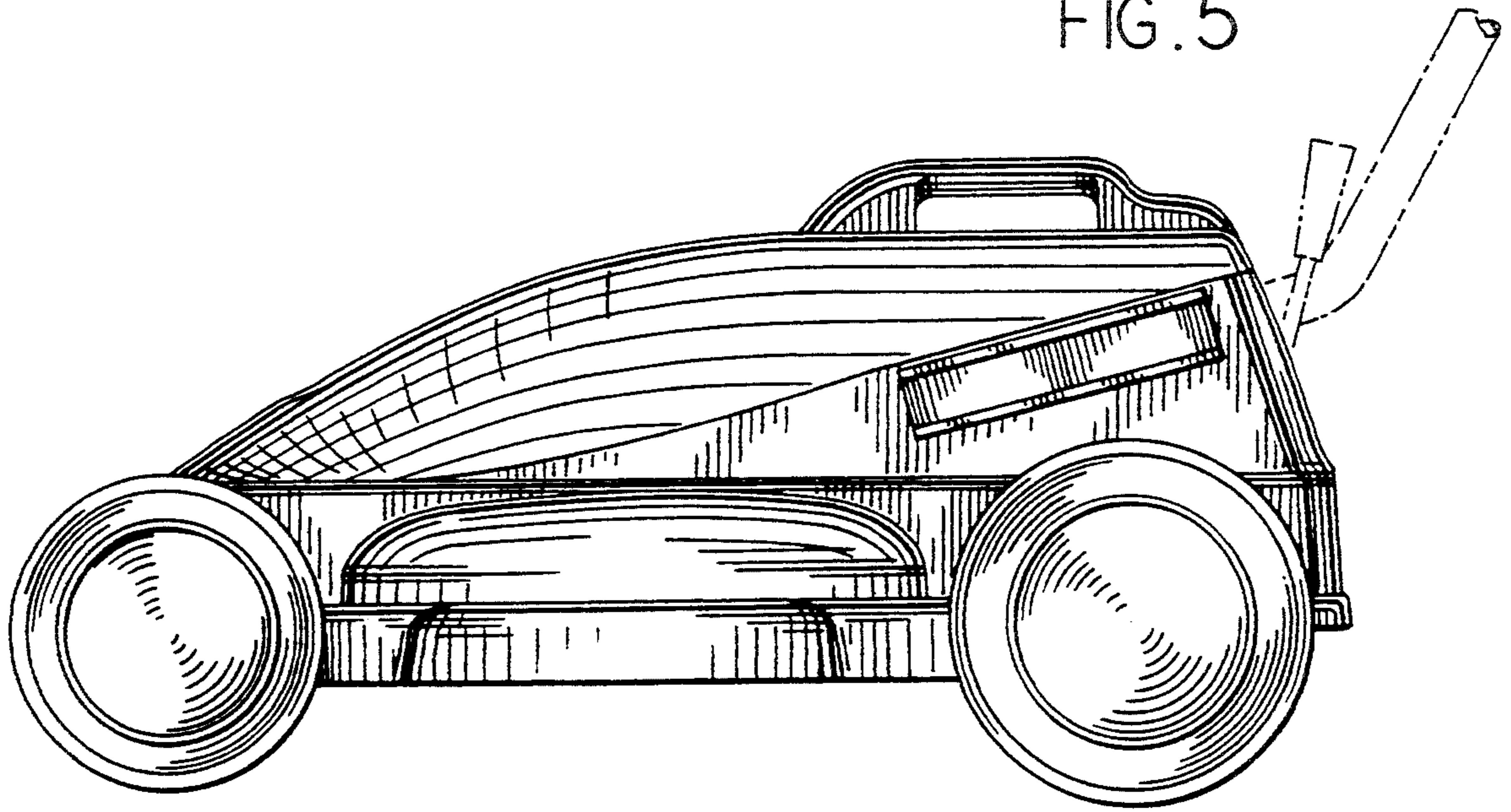


FIG. 6