



US00D361768S

United States Patent [19]

[11] Patent Number: **Des. 361,768**

Chen

[45] Date of Patent: **** Aug. 29, 1995**

[54] **TELEPHONE SECURING FRAME**

[75] Inventor: **Shu-ying Chen, Tainan Hsien, Taiwan**

[73] Assignee: **Hornng Technical Enterprise Co. Ltd., Tainan Hsien, Taiwan**

[**] Term: **14 Years**

[21] Appl. No.: **27,977**

[22] Filed: **Sep. 2, 1994**

[52] U.S. Cl. **D14/251; D19/88**

[58] Field of Search **D14/114, 140, 240, 251, D14/252, 253, 299; 379/454, 455, 457, 441; 248/458, 346, 122, 281.1, 278, 280.1; D6/418, 511; D19/87, 88, 92**

4,768,744	9/1988	Leeds et al.	248/280.1
4,801,120	1/1989	Gregoire	248/458 X
4,854,538	8/1989	Von Schalscha	248/346
4,923,154	5/1990	Konkel	D14/114 X
5,071,049	12/1991	Mozer	379/455
5,092,552	3/1992	Dayton et al.	248/278 X
5,186,422	2/1993	Nakamura	248/281.1

OTHER PUBLICATIONS

Micro Computer Accessories, Inc.

Primary Examiner—Jeffrey Asch

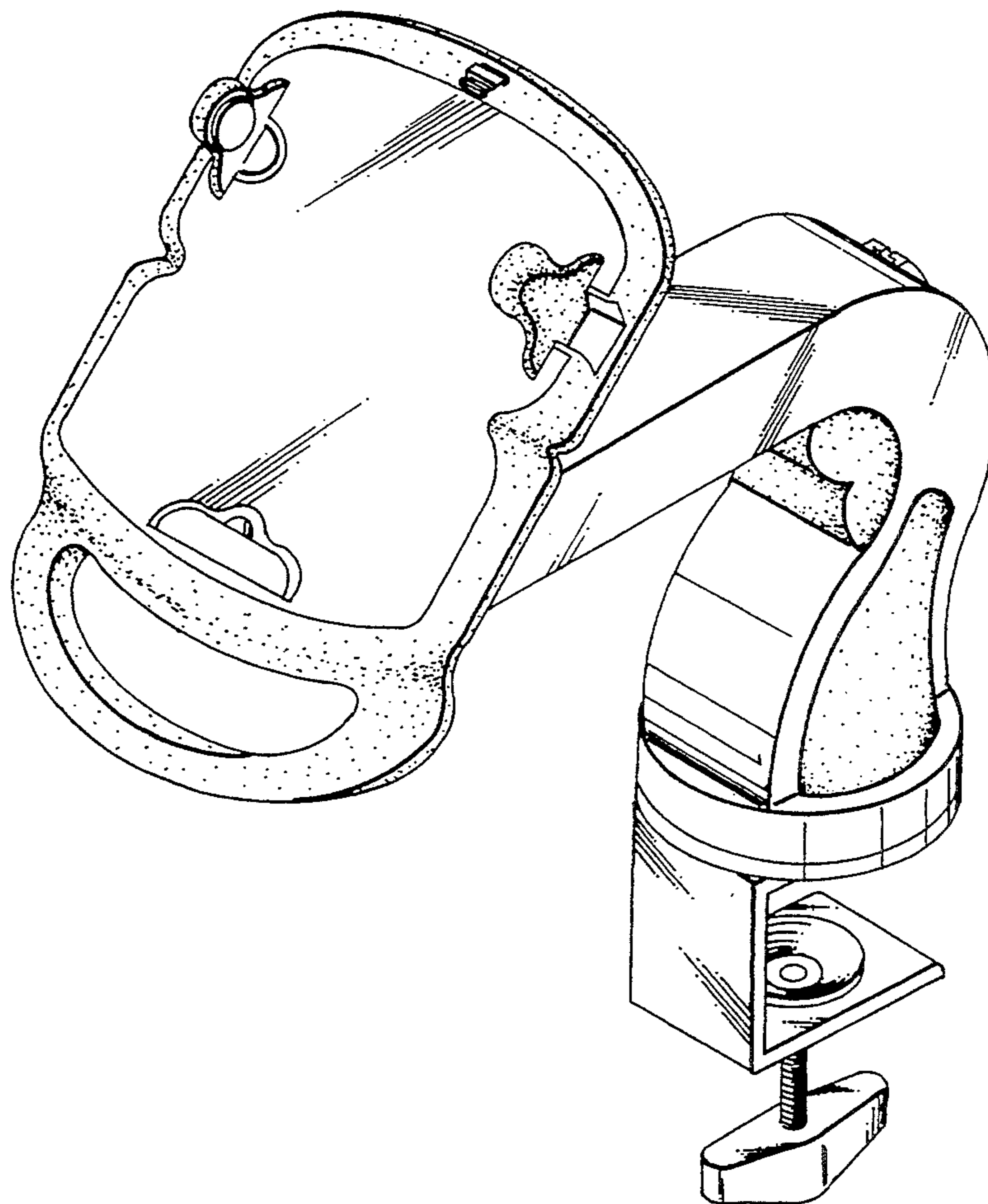
Attorney, Agent, or Firm—Browdy and Neimark

[57] **CLAIM**

The ornamental design for a telephone securing frame, as shown and described.

DESCRIPTION

FIG. 1 is a perspective view of a telephone securing frame of my new design;
 FIG. 2 is a right-side view thereof;
 FIG. 3 is a left-side view thereof;
 FIG. 4 is a front view thereof;
 FIG. 5 is a rear view thereof;
 FIG. 6 is a top view thereof; and,
 FIG. 7 is a bottom view thereof.



[56] **References Cited**

U.S. PATENT DOCUMENTS

D. 34,084	2/1901	Griggs	D14/251
D. 311,422	10/1990	Strater	D19/88
D. 320,980	10/1991	Howard et al.	D14/114
D. 321,351	11/1991	Kirchner	D14/251
D. 331,921	12/1992	Gutke et al.	D14/114
D. 347,841	6/1994	Rossmann et al.	D14/114
1,088,669	2/1914	Allen	248/122

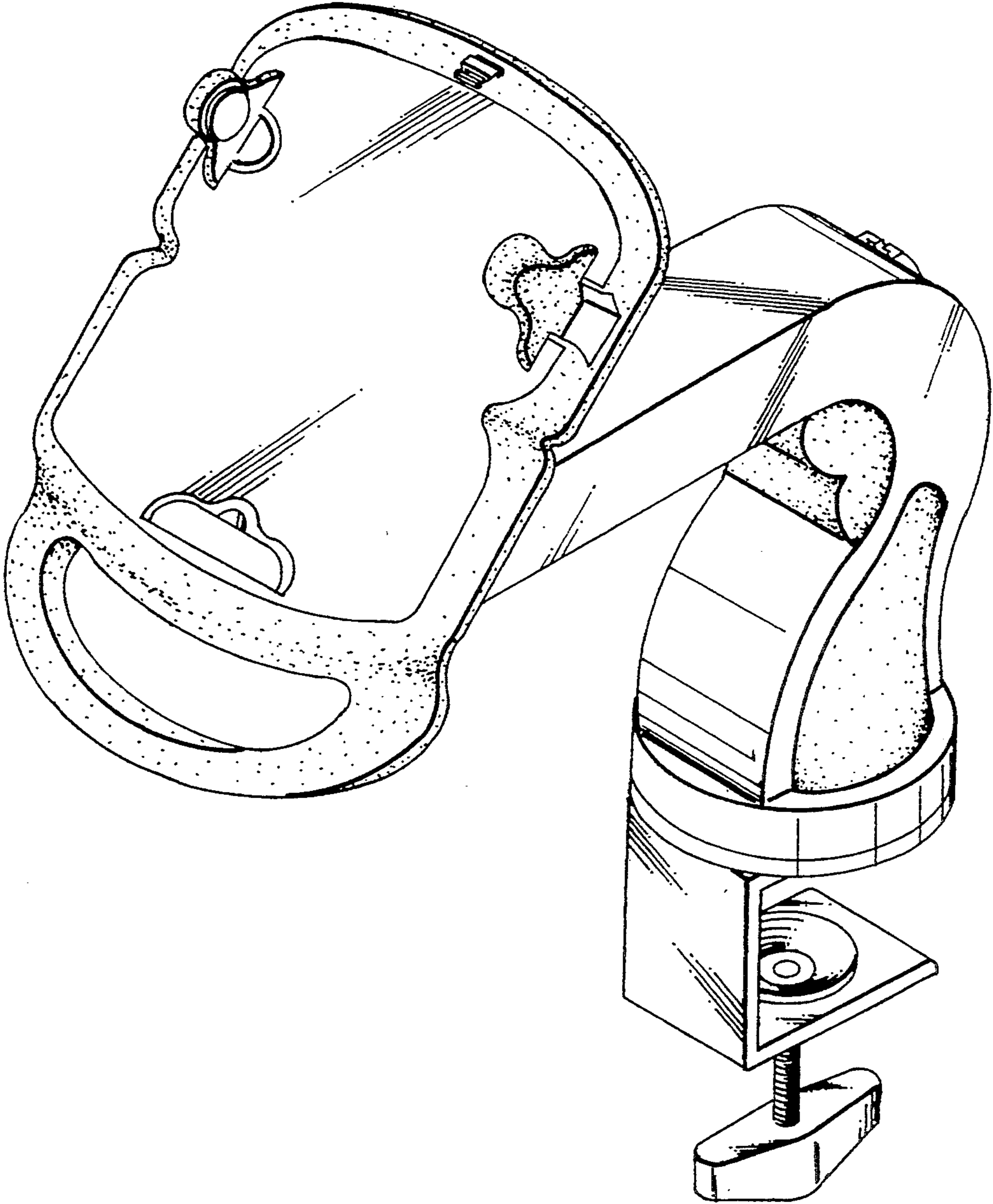


FIG. 1

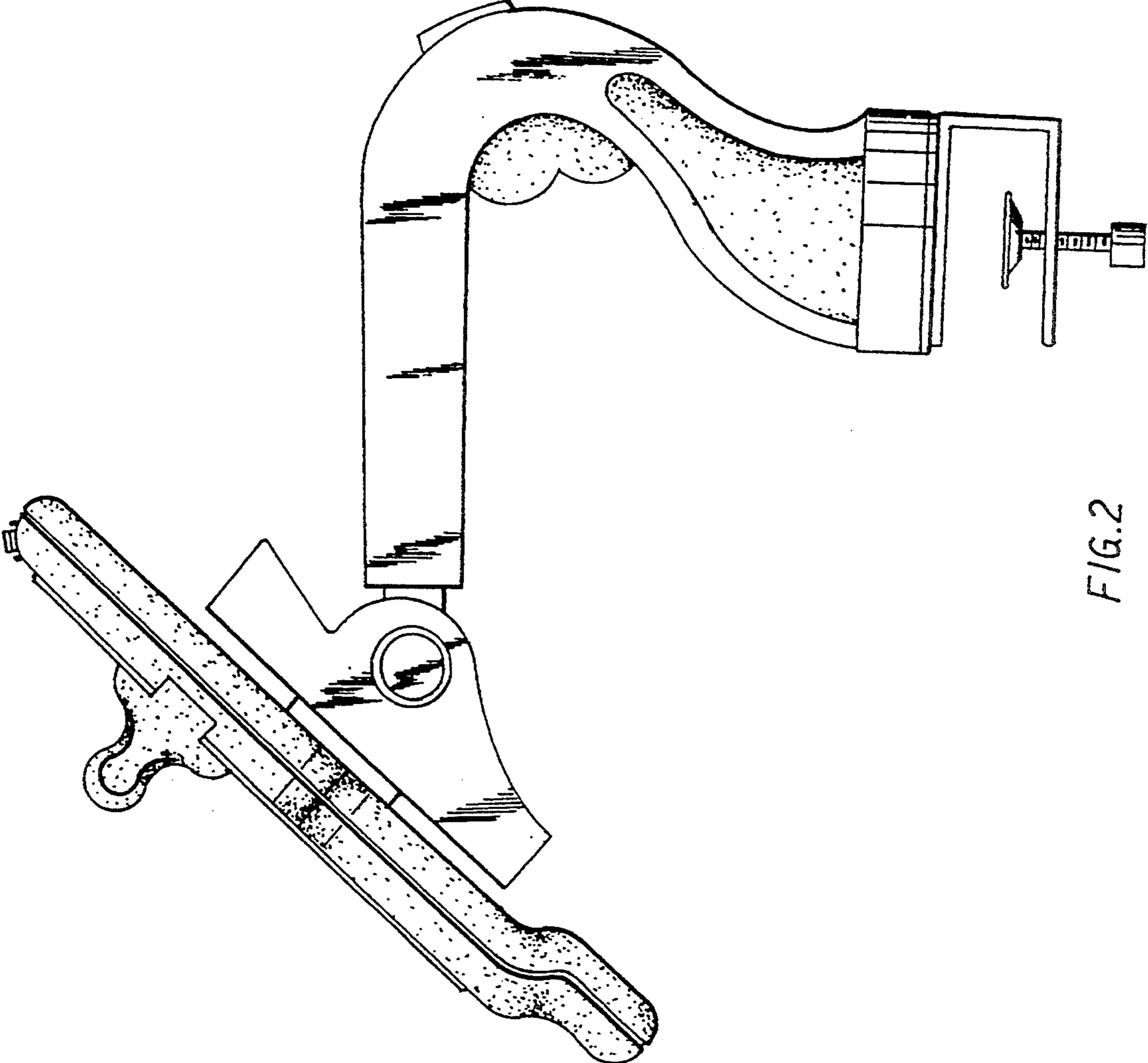


FIG.2

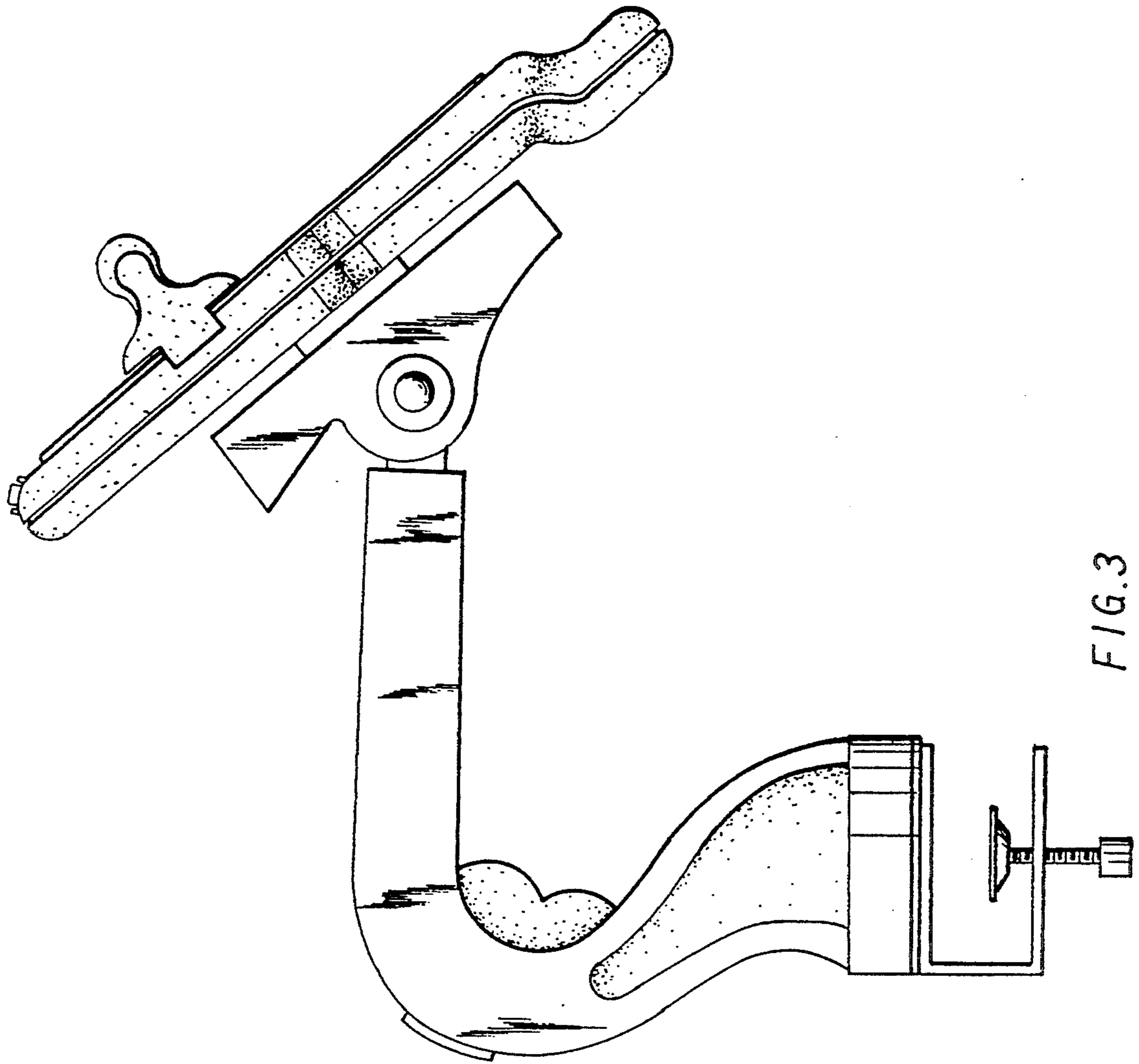
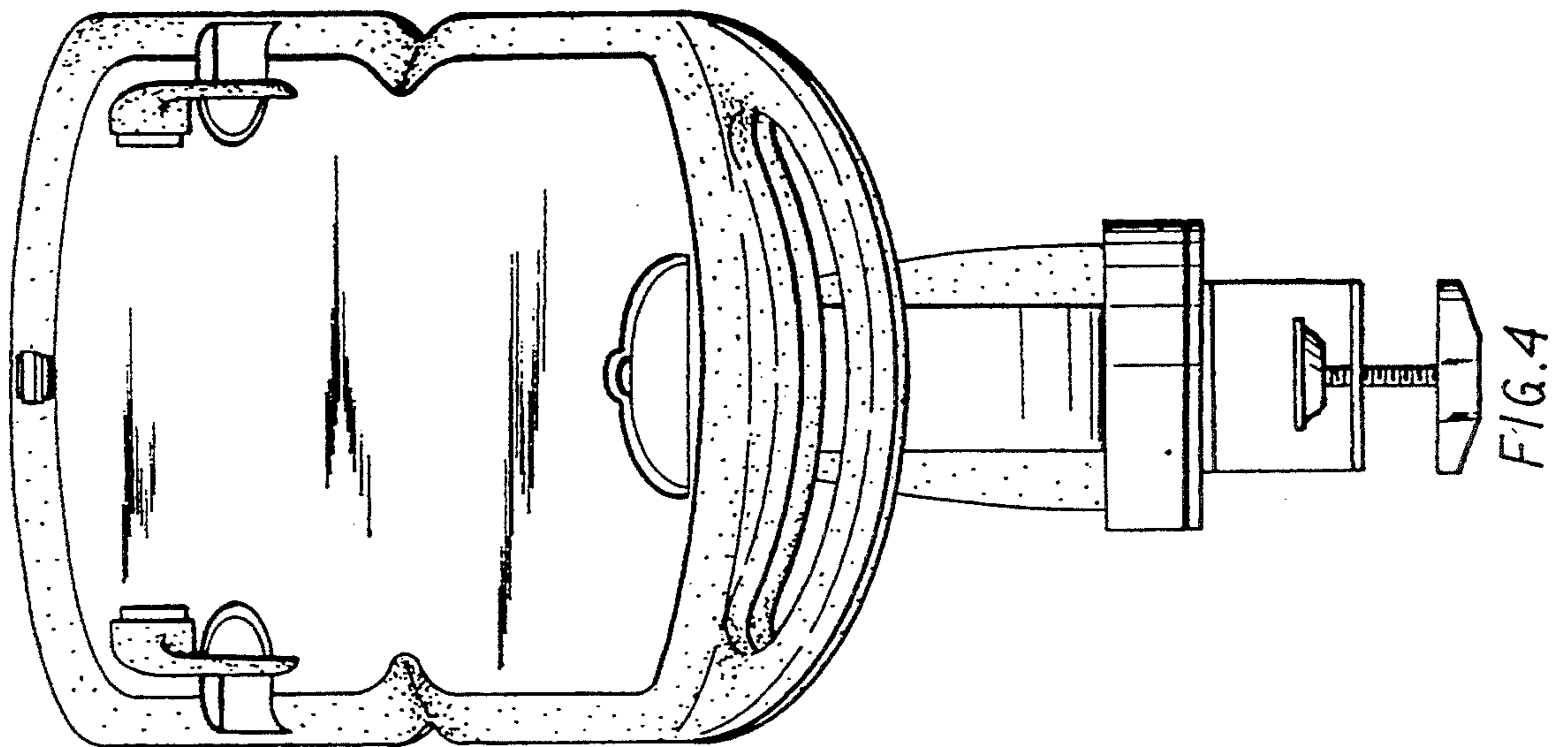
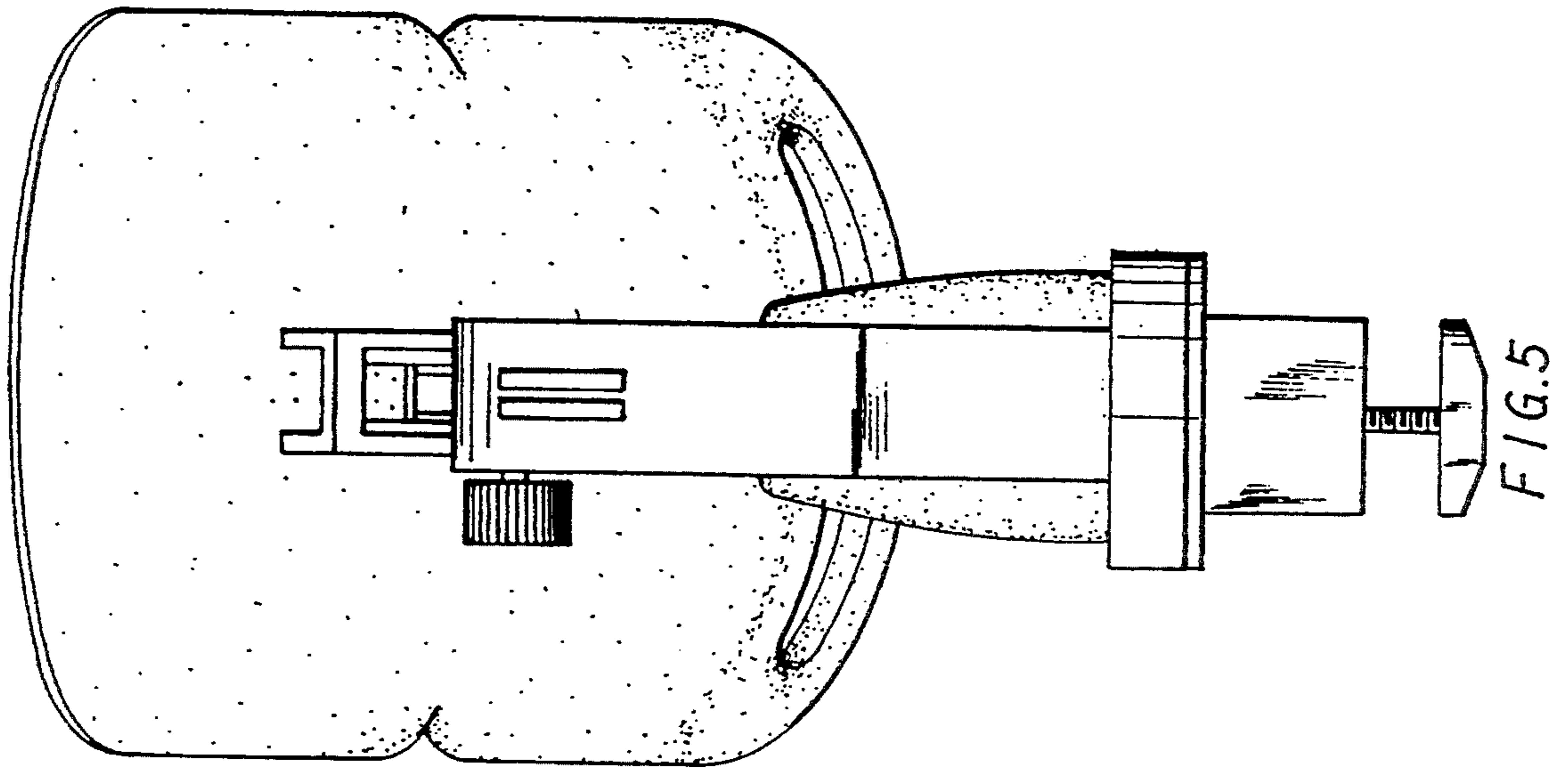


FIG. 3



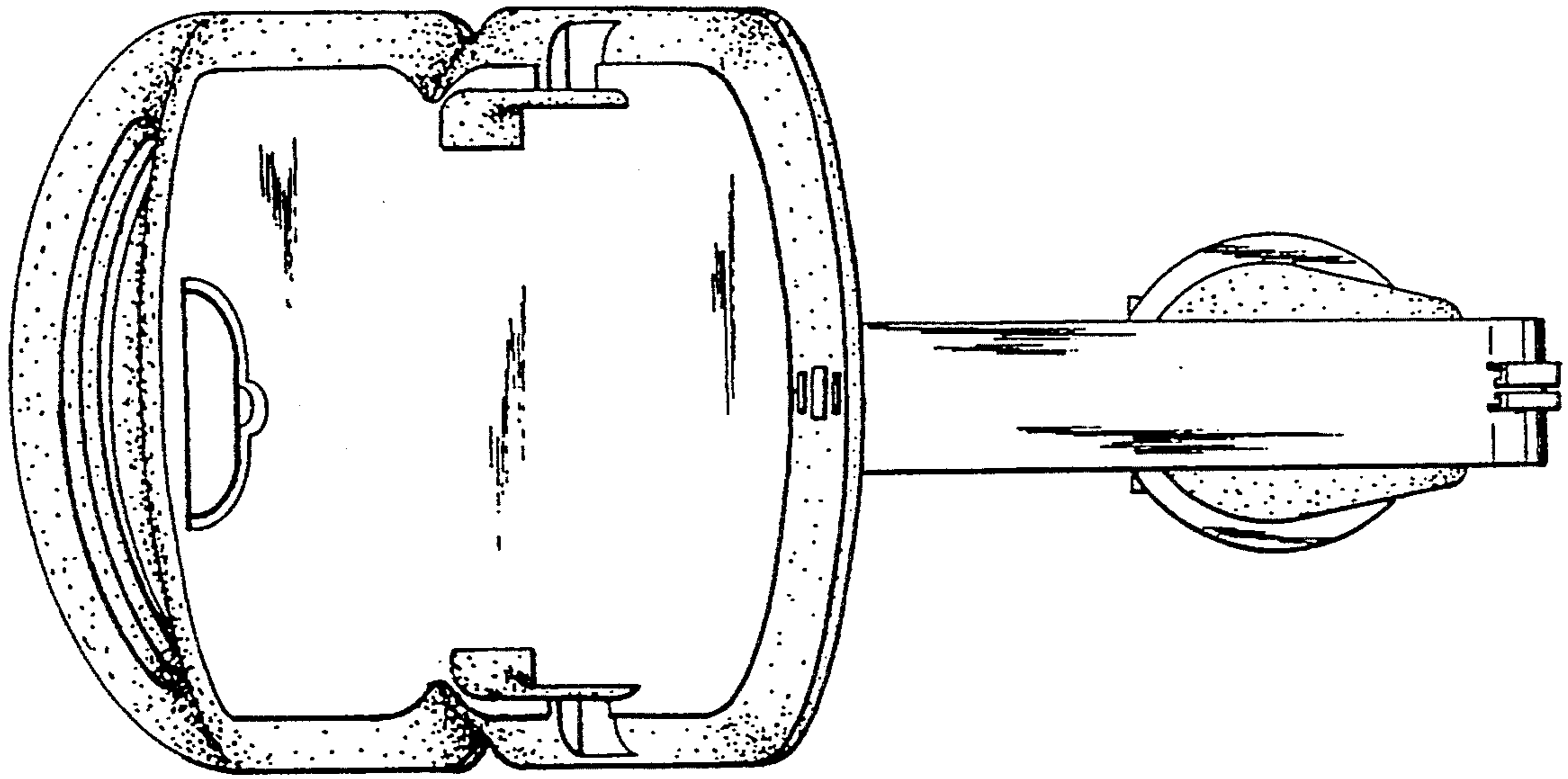


FIG. 6

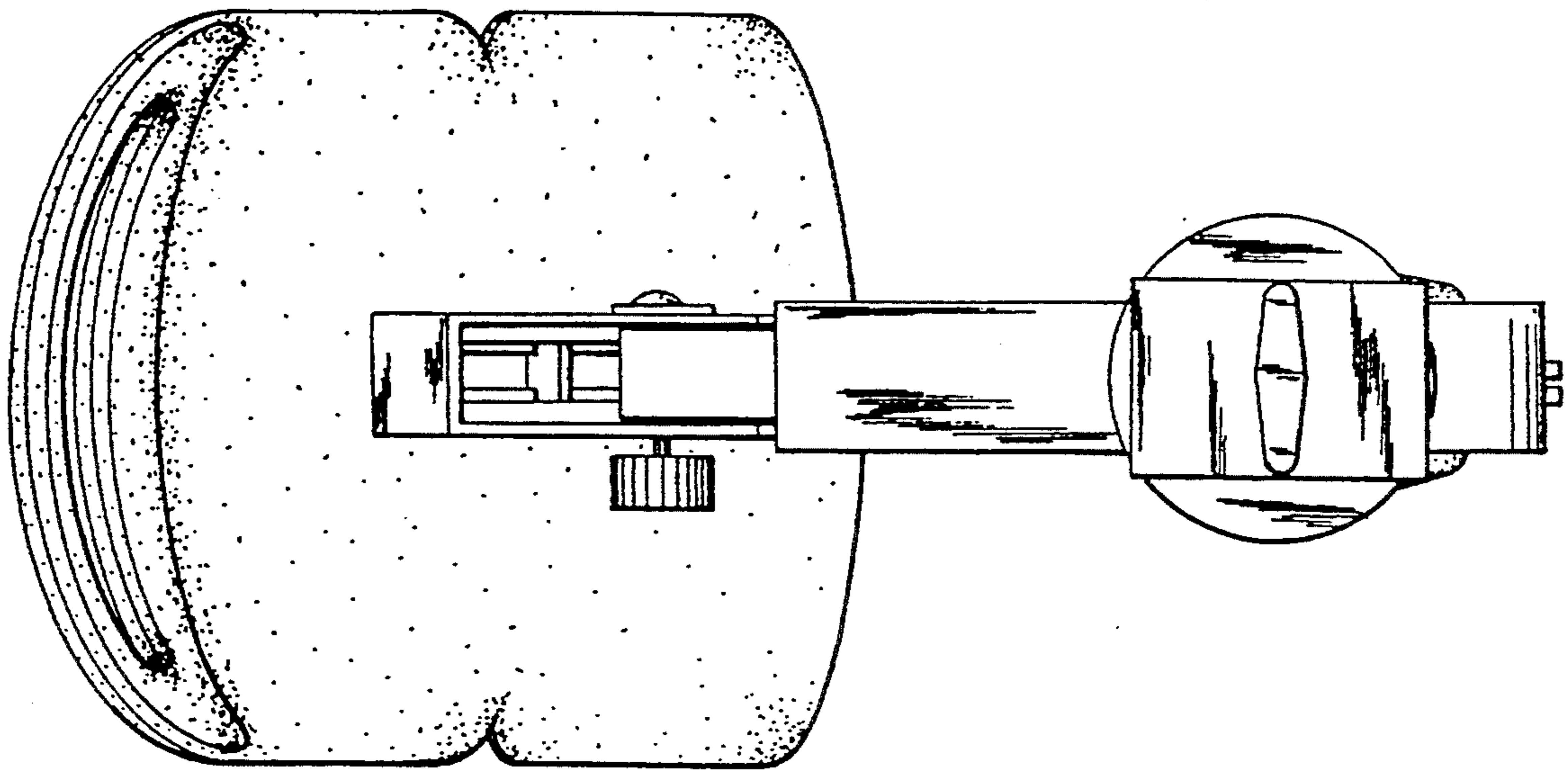


FIG. 7