



US00D361767S

**United States Patent** [19]  
**Tinaphong**

[11] **Patent Number: Des. 361,767**

[45] **Date of Patent: \*\* Aug. 29, 1995**

[54] **ANTENNA**

[75] **Inventor: Paul Tinaphong, Parsippany, N.J.**

[73] **Assignee: Gemini Industries, Inc., Clifton, N.J.**

[\*\*] **Term: 14 Years**

[21] **Appl. No.: 19,353**

[22] **Filed: Feb. 28, 1994**

[52] **U.S. Cl. .... D14/230; D14/231**

[58] **Field of Search .... D14/230, 231; 343/720, 343/761, 781 R, 900, 901, 907, 908, 912**

[56] **References Cited**

**U.S. PATENT DOCUMENTS**

- D. 275,673 9/1984 Dino ..... D14/230
- D. 310,671 9/1990 Weiss ..... D14/230

*Primary Examiner*—Dominic Simone  
*Attorney, Agent, or Firm*—Lerner, David, Littenberg, Krumholz & Mentlik

[57] **CLAIM**

The ornamental design for an antenna, as shown and described.

**DESCRIPTION**

FIG. 1 is a perspective view of an antenna showing my new design, the support shown in broken lines for illustrative purposes only;

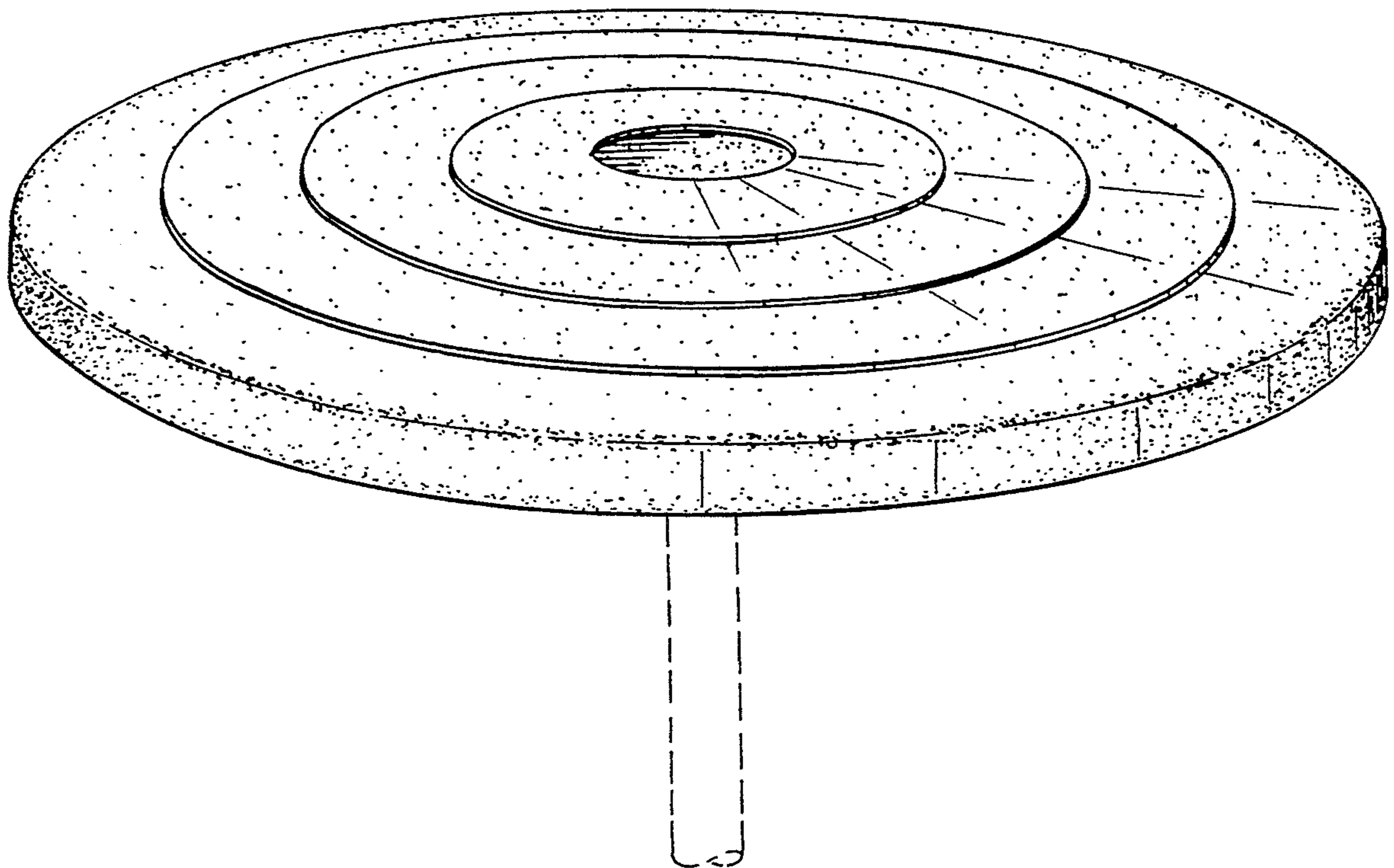
FIG. 2 is a front elevational view thereof, the rear elevational view being the mirror image thereof;

FIG. 3 is a top plan view thereof;

FIG. 4 is a bottom plan view thereof;

FIG. 5 is a right elevational view thereof; and,

FIG. 6 is a left elevational view thereof.



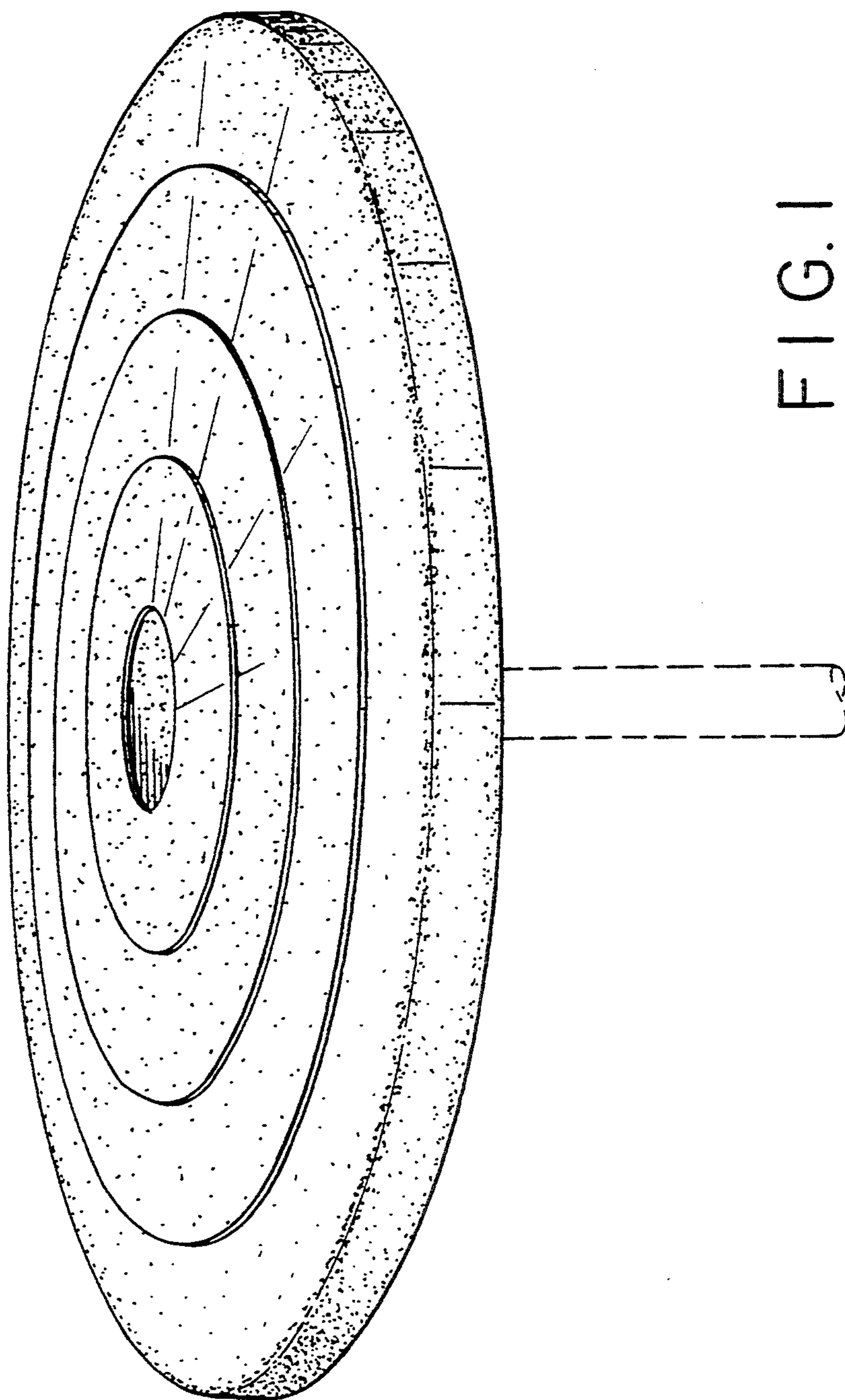


FIG. 1

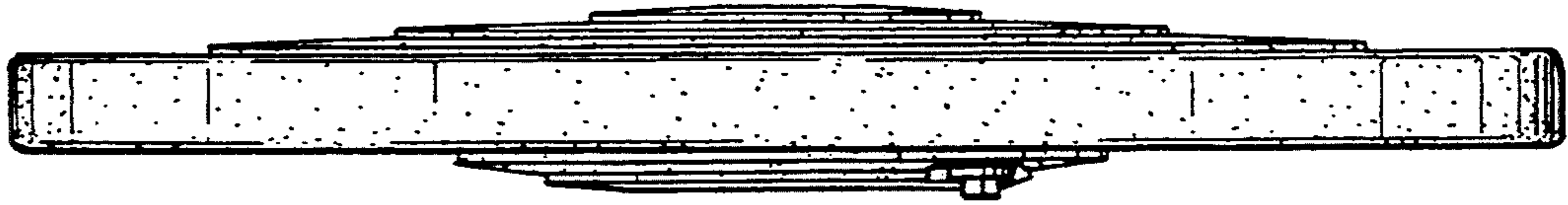


FIG. 2

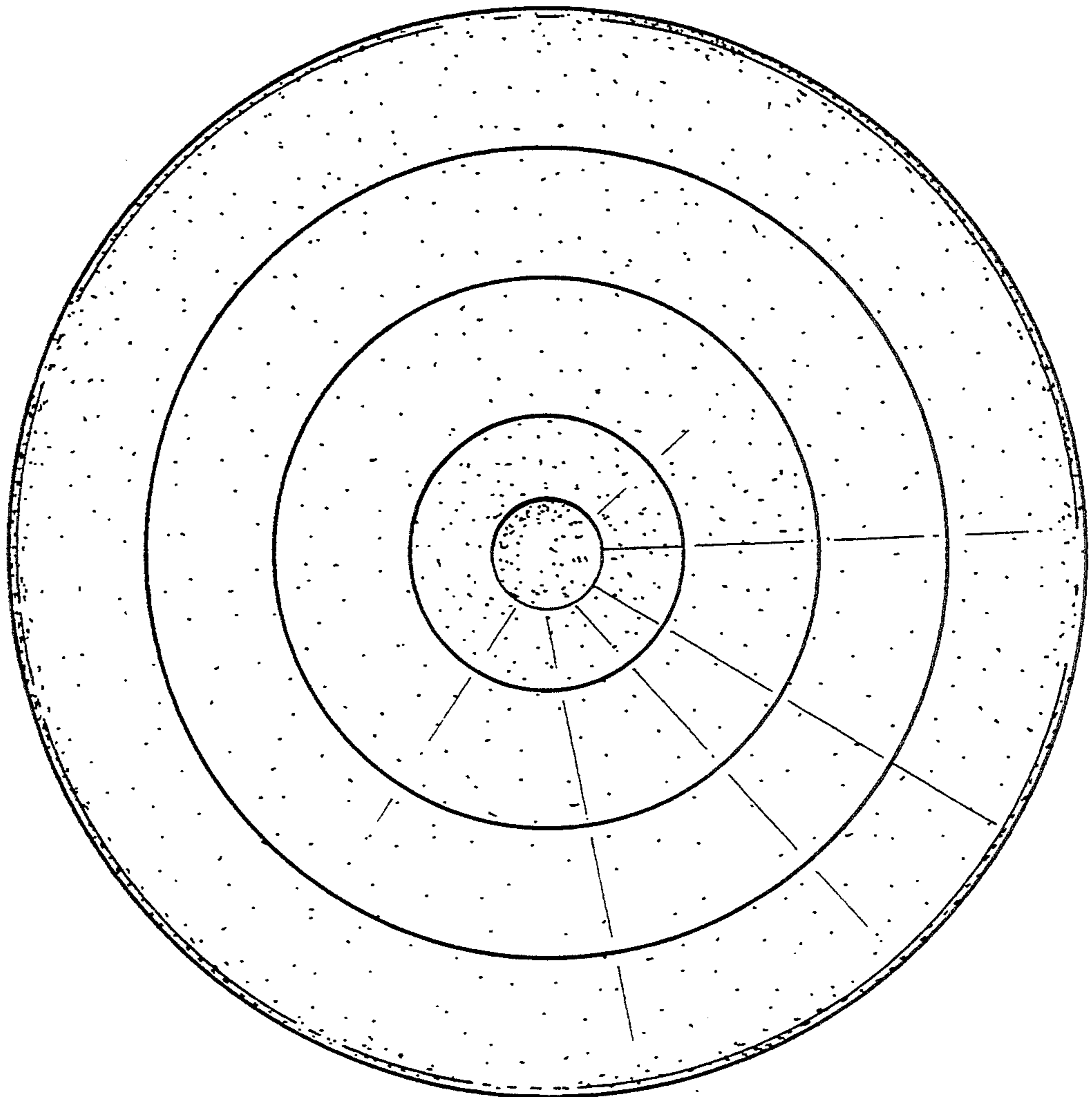


FIG. 3

FIG. 4

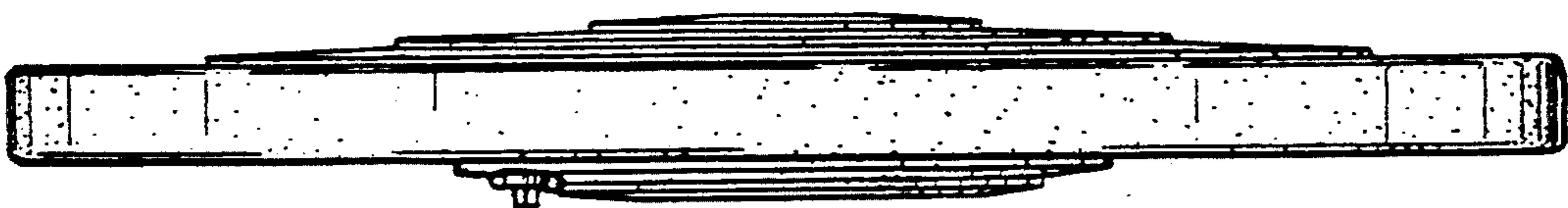
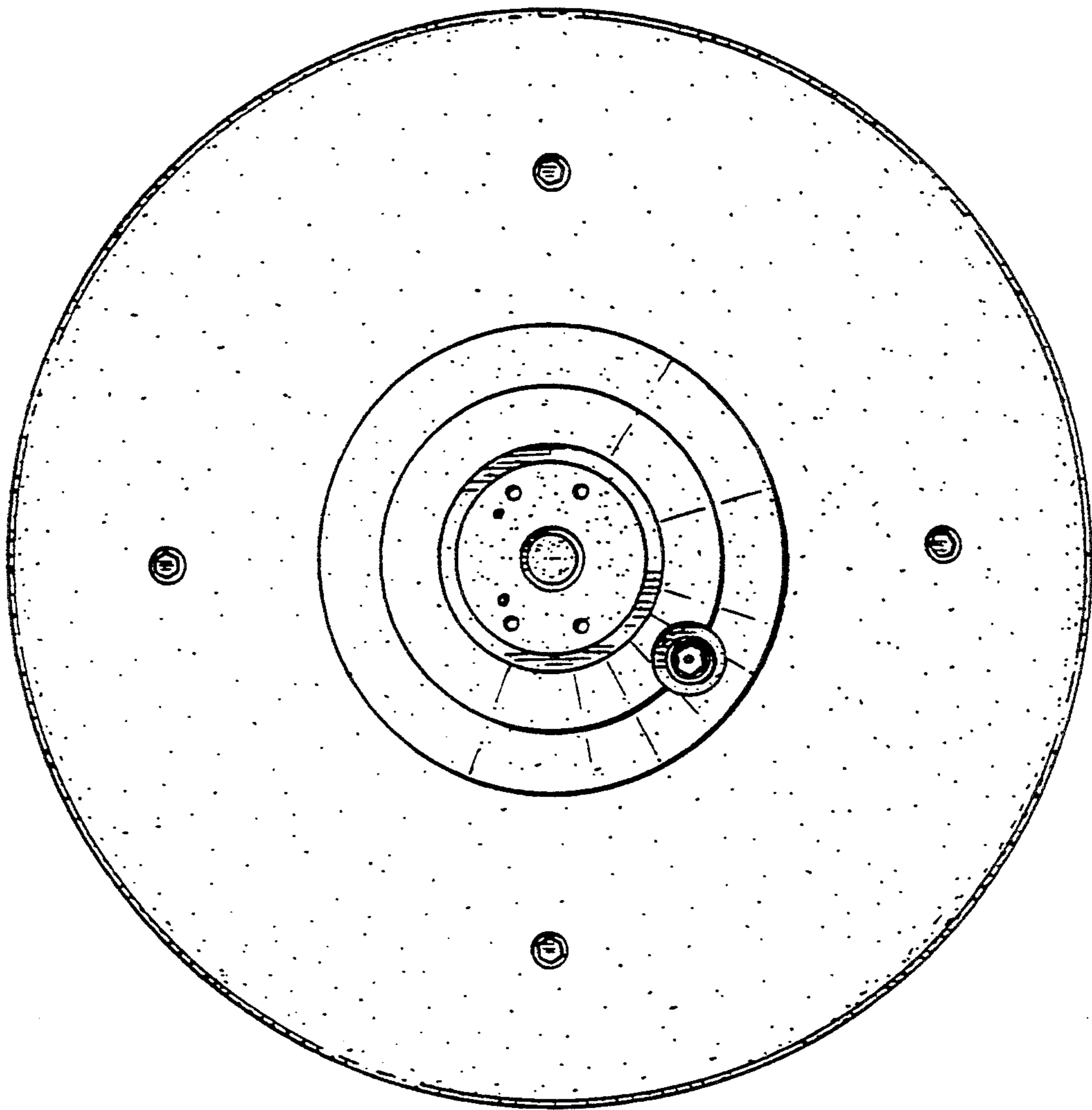


FIG. 5

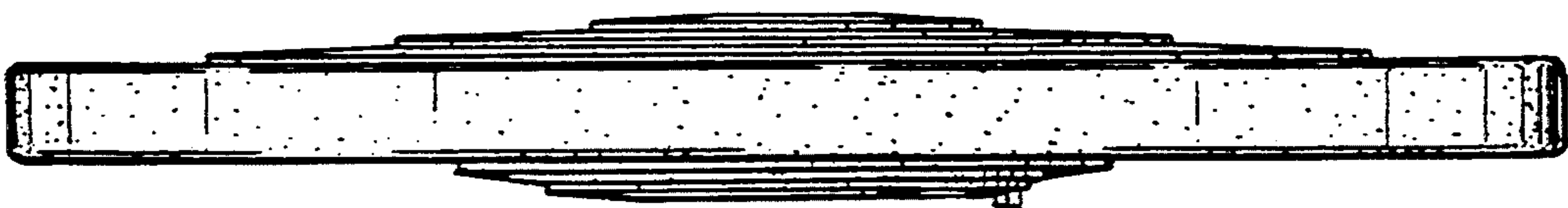


FIG. 6