



US00D361765S

United States Patent [19]

[11] Patent Number: **Des. 361,765**

Bryant

[45] Date of Patent: **** Aug. 29, 1995**

[54] **TELEPHONE APPARATUS**

[75] Inventor: **Keith R. Bryant**, Stevenage, England

[73] Assignee: **SDX Business Systems Limited**, Hertfordshire, United Kingdom

[**] Term: **14 Years**

[21] Appl. No.: **25,248**

[22] Filed: **Jun. 28, 1994**

[30] **Foreign Application Priority Data**

Apr. 7, 1994 [GB] United Kingdom 2038263

[52] U.S. Cl. **D14/151**

[58] Field of Search D14/137, 148, 140, 142, D14/147-151, 240, 241, 243, 248; 379/433-436, 419, 420, 428, 440

[56] **References Cited**

U.S. PATENT DOCUMENTS

- D. 255,680 7/1980 Read et al. D14/151
- D. 286,777 11/1986 Bishop D14/151
- D. 293,237 12/1987 Brown D14/148
- D. 297,137 8/1988 Richter D14/151

- D. 299,647 1/1989 Davies D14/248
- D. 300,824 4/1989 Okuda et al. D14/151
- D. 314,374 2/1991 Sasaki D14/151
- D. 328,296 7/1992 Yan D14/151
- D. 332,263 1/1993 Taniguchi D14/241
- D. 345,358 3/1994 Hillenmayer et al. D14/151

OTHER PUBLICATIONS

Teletechnik, 1979 No. 1, p. 20, FIG. 1.

Primary Examiner—Jeffrey Asch
Attorney, Agent, or Firm—Price, Gess & Ubell

[57] **CLAIM**

The ornamental design for a telephone apparatus, as shown and described.

DESCRIPTION

FIG. 1 is a front perspective view from above and one side;
FIG. 2 is a front view;
FIG. 3 is a rear view;
FIG. 4 is a view from one side;
FIG. 5 is a view from above;
FIG. 6 is a view from the other side; and,
FIG. 7 is an underneath plan view.

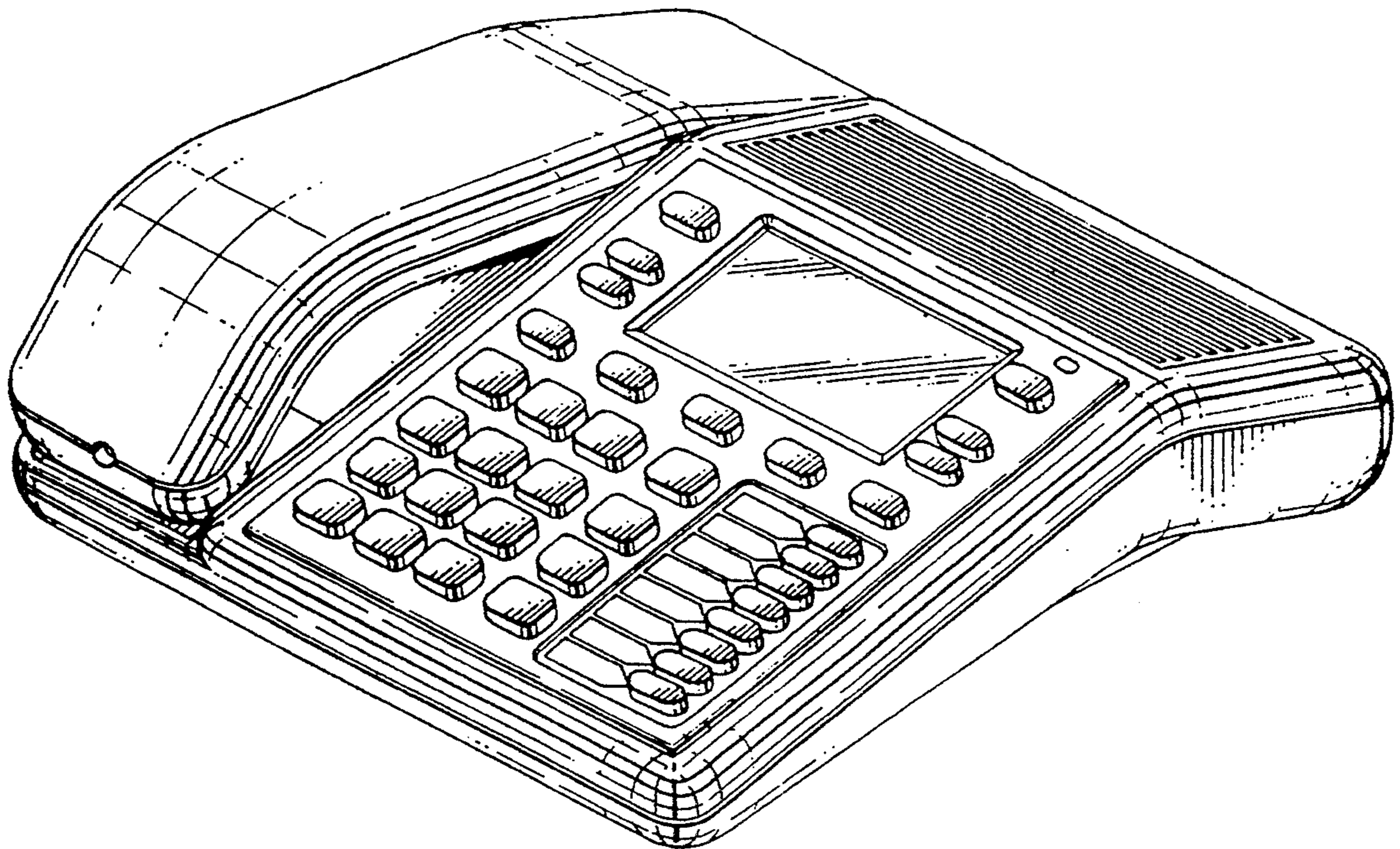


Fig. 1.

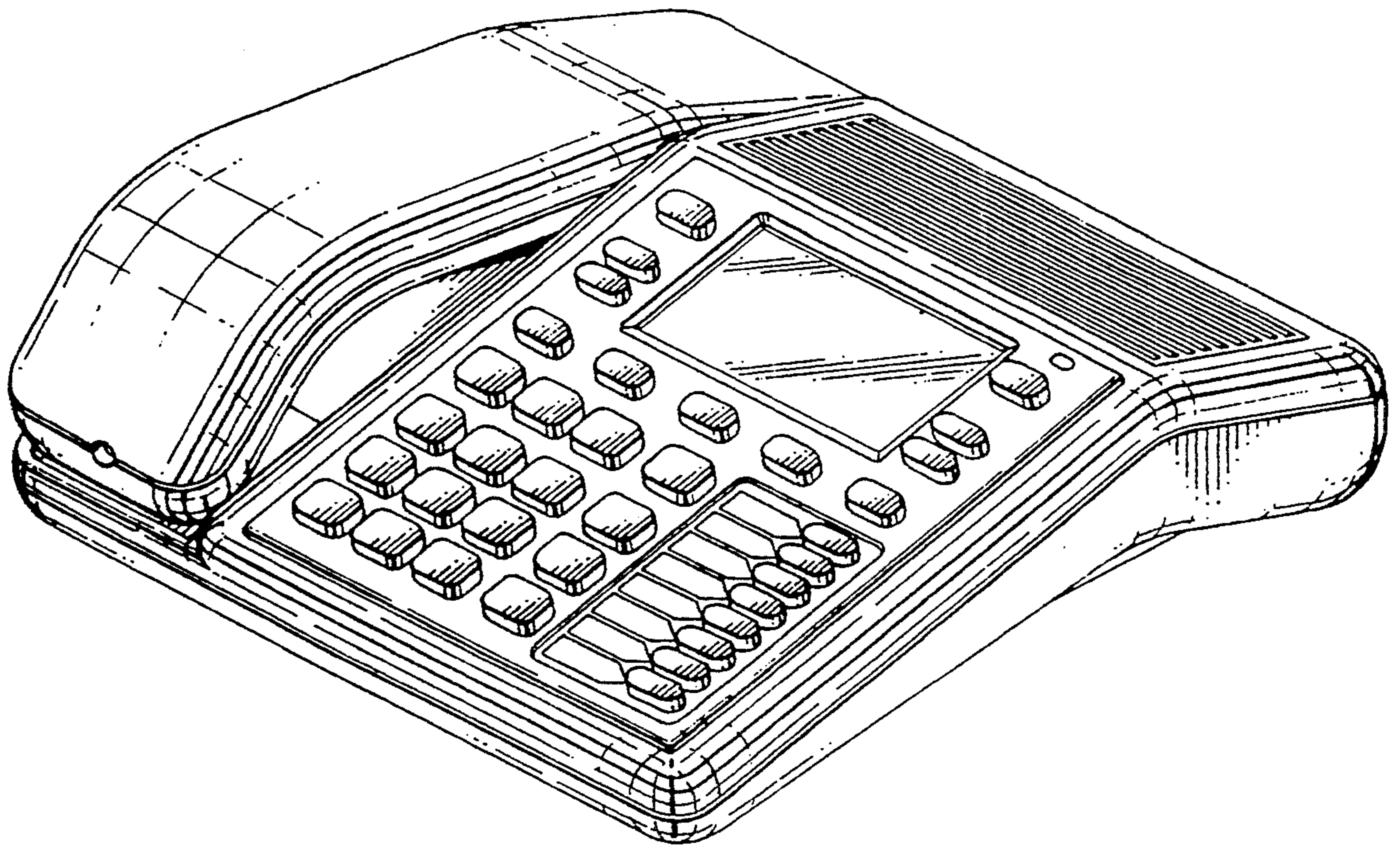


Fig.2.

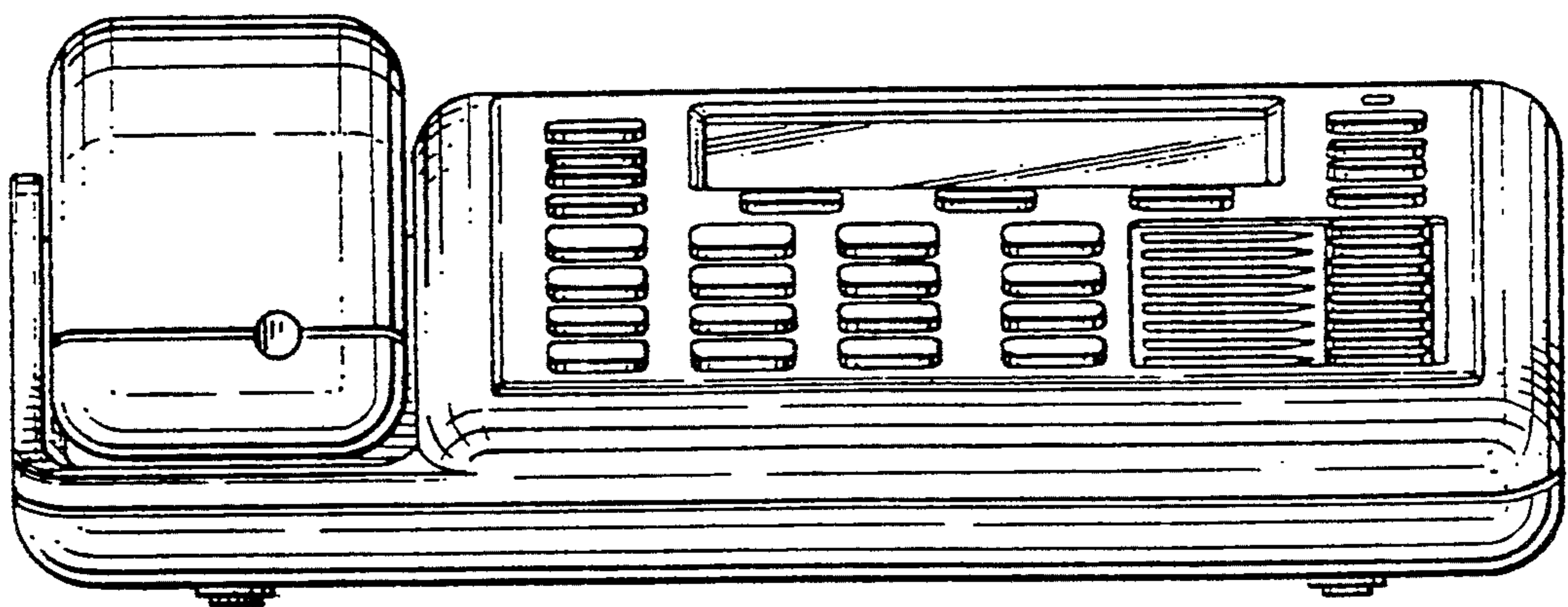


Fig.3.

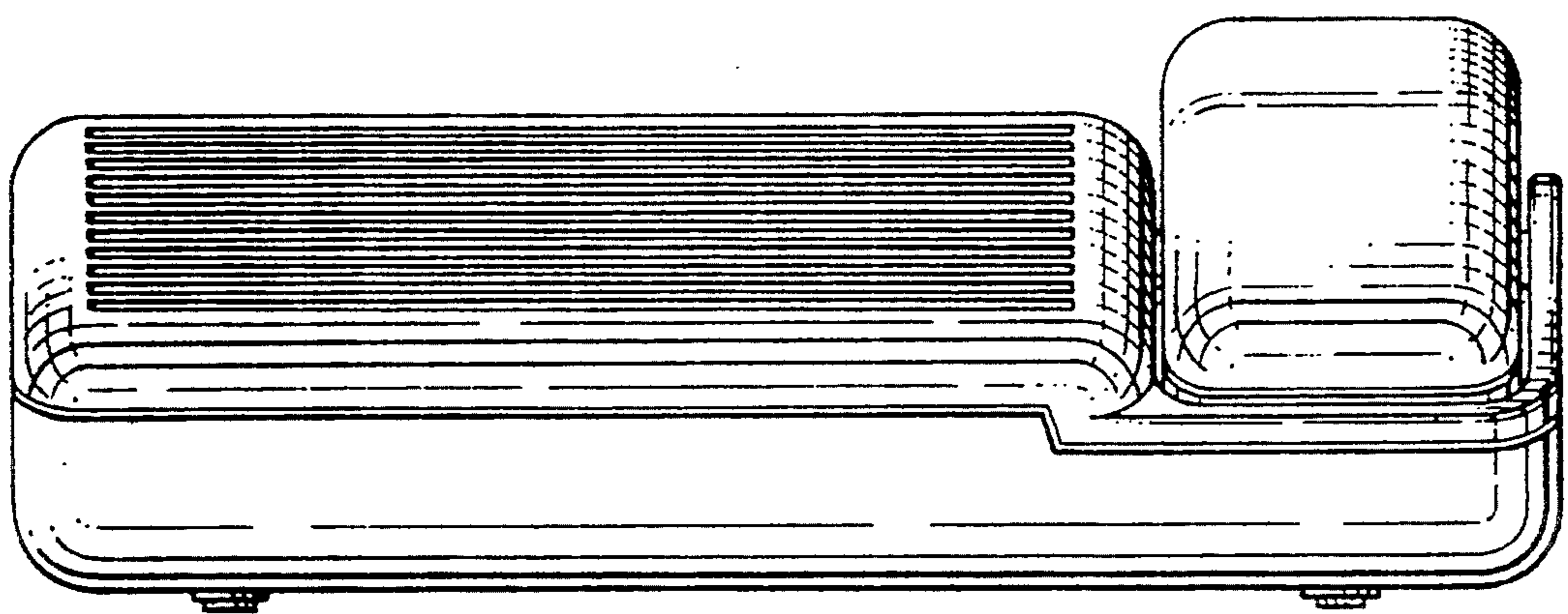


Fig.4.

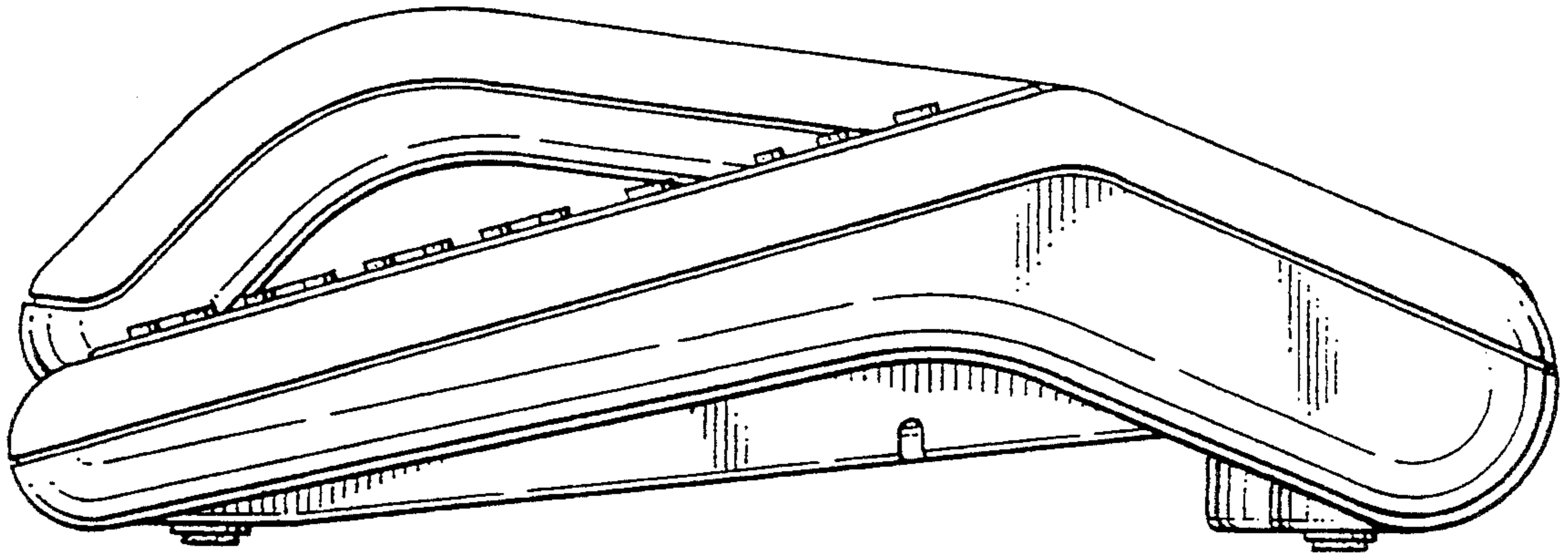


Fig.5.

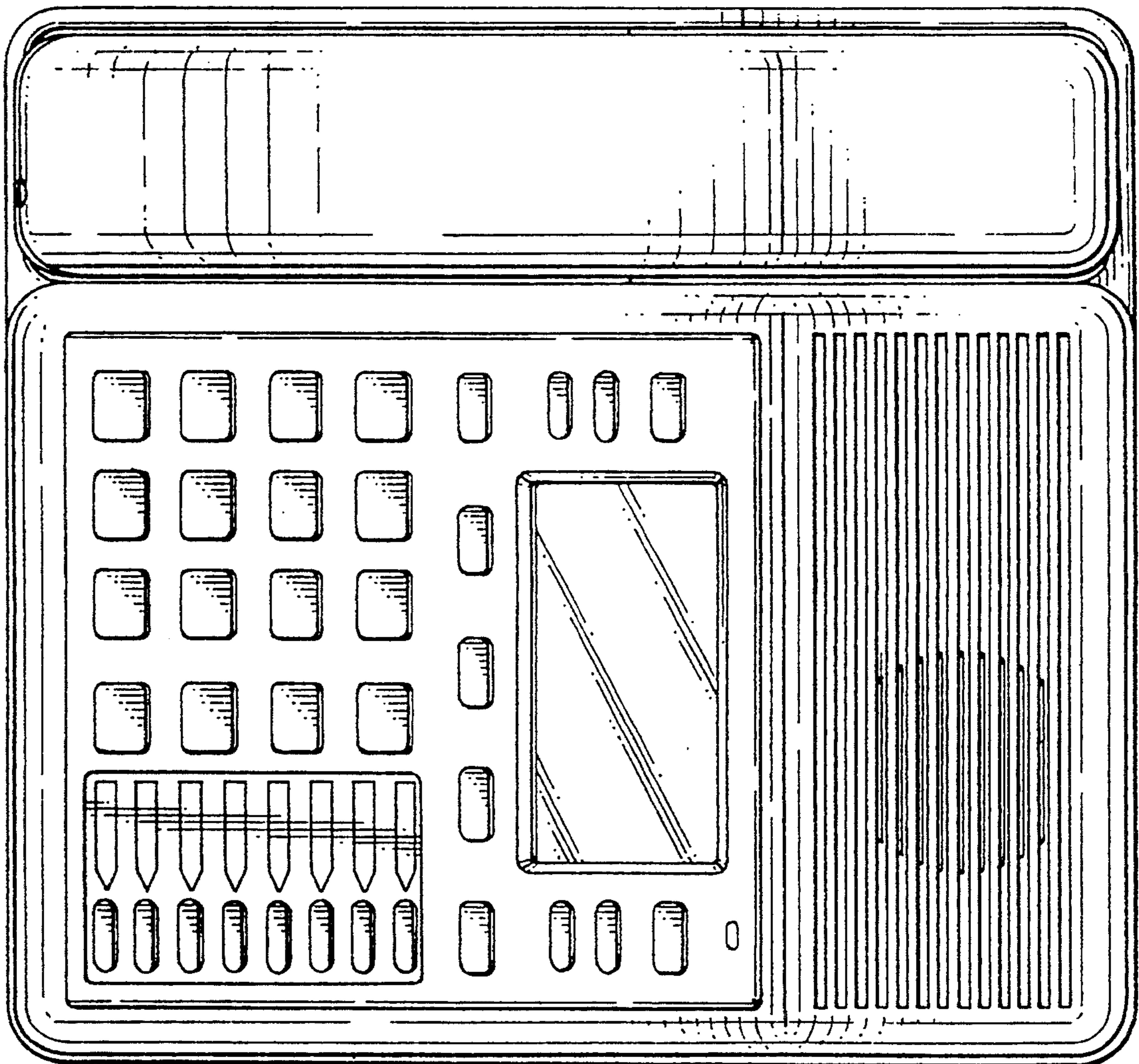


Fig.6.

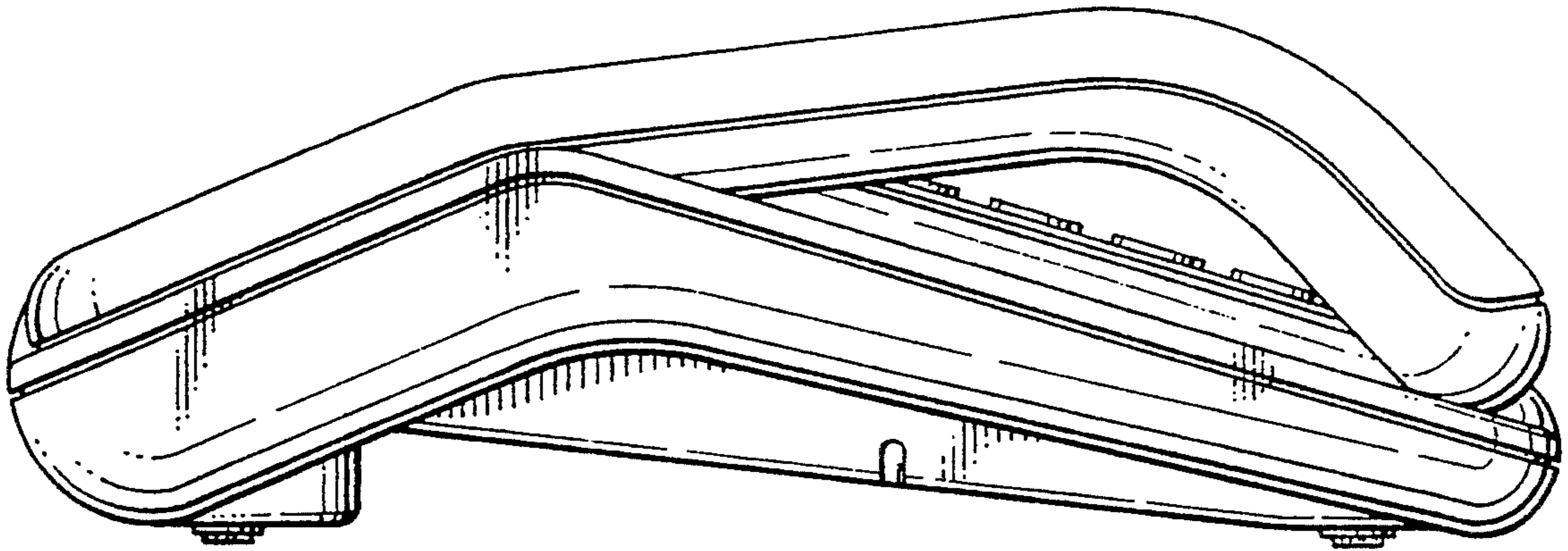


Fig.7.

