



US00D361759S

United States Patent [19]

[11] Patent Number: **Des. 361,759**

Paull et al.

[45] Date of Patent: **** Aug. 29, 1995**

[54] **POINTING DEVICE AND A COUPLING ASSEMBLY**

[75] Inventors: **Mike M. Paull; Michael D. Nelson; Claire H. Beliard; Domenic S. Giuntoli; Robert C. Evans, III**, all of Seattle; **William P. Stiles, Bothell**, all of Wash.

[73] Assignee: **Microsoft Corporation, Redmond, Wash.**

[*] Notice: The portion of the term of this patent subsequent to Feb. 28, 2009 has been disclaimed.

[**] Term: **14 Years**

[21] Appl. No.: **973**

[22] Filed: **Oct. 30, 1992**

[52] U.S. Cl. **D14/114**

[58] Field of Search **D14/100, 114; D13/158; D21/48; 178/18-9; 200/5 R, 5 A, 6 R, 6 A; 213/148 B; 273/148 B; 345/156-167; 74/471 XY**

[56] **References Cited**

U.S. PATENT DOCUMENTS

D. 272,921	3/1984	Kim	D21/48
D. 281,776	12/1985	Griffin	D13/32
D. 288,930	3/1987	Barbera et al.	D14/114
D. 289,306	4/1987	Burnstein et al.	D21/48
D. 291,318	8/1987	Kim	D14/114
D. 292,600	11/1987	Wagner	D21/48
D. 300,324	3/1989	Akagi et al.	D14/114
D. 302,010	7/1989	McLaughlin et al.	D14/114
D. 302,426	7/1989	Bradley et al.	D14/114
D. 307,739	5/1990	Grant	D13/168

D. 309,449	7/1990	MacDonald et al.	D14/114
D. 315,552	3/1991	Sacherman	D14/114
D. 315,896	4/1991	Brown	D14/100
D. 326,261	5/1992	Ashmun et al.	D14/114
D. 328,458	8/1992	Barry	D14/114
D. 331,398	12/1992	Clauss et al.	D14/114
D. 333,818	3/1993	Yang	D14/114
D. 335,656	5/1993	Garthwaite et al.	D14/114
3,625,083	12/1971	Bose	74/471
3,987,685	10/1976	Opocensky	74/471
4,404,865	9/1983	Kim	74/471
4,538,476	9/1985	Luque	74/471
5,008,528	4/1991	Duchon	250/221

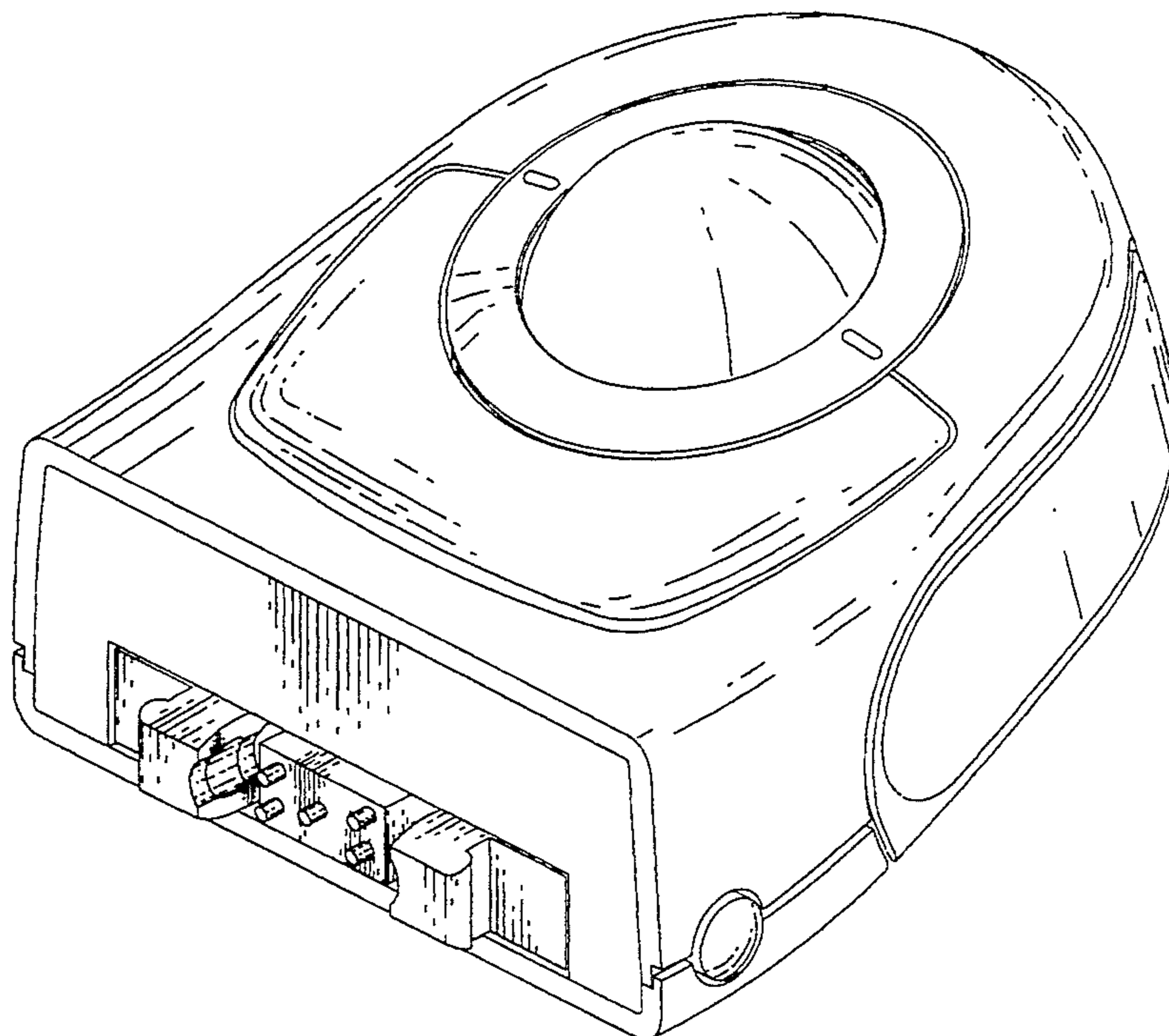
Primary Examiner—Melanie H. Tung
Attorney, Agent, or Firm—Seed and Berry

[57] **CLAIM**

The ornamental design for a combined pointing device and coupling assembly, as shown and described.

DESCRIPTION

FIG. 1 is an isometric view of a combined pointing device and coupling assembly showing our new design; FIG. 2 is a rear elevational view thereof; FIG. 3 is a top plan view thereof; FIG. 4 is a bottom plan view thereof; FIG. 5 is a left elevational view thereof, the right side is a mirror image; FIG. 6 is a front elevational view thereof; FIG. 7 is an isometric view of a second embodiment thereof; FIG. 8 is a rear elevational view thereof; FIG. 9 is a top plan view thereof; FIG. 10 is a bottom view thereof; FIG. 11 is a left side elevational view thereof, the right side is a mirror image; and, FIG. 12 is a front elevational view thereof.



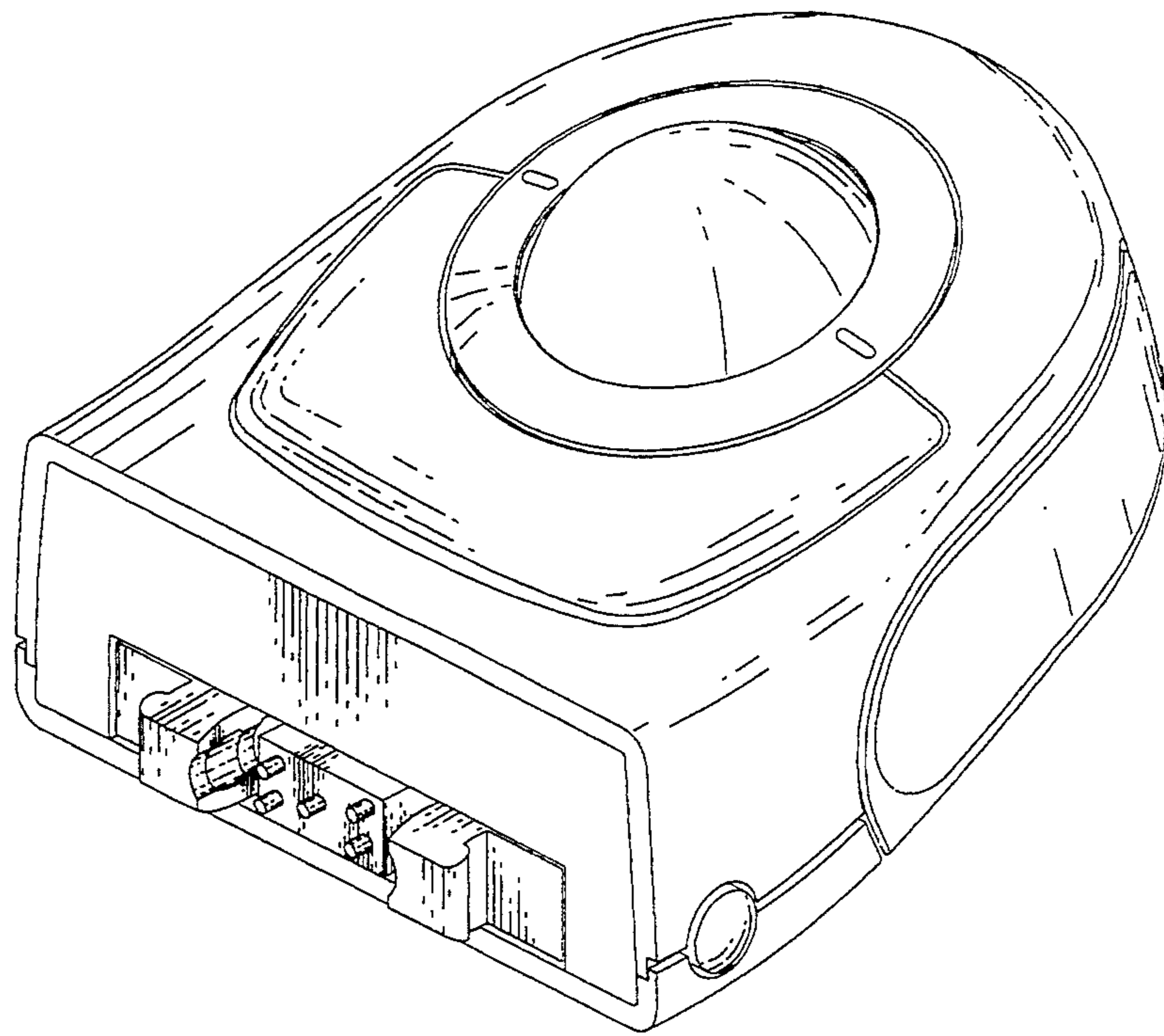


Figure 1

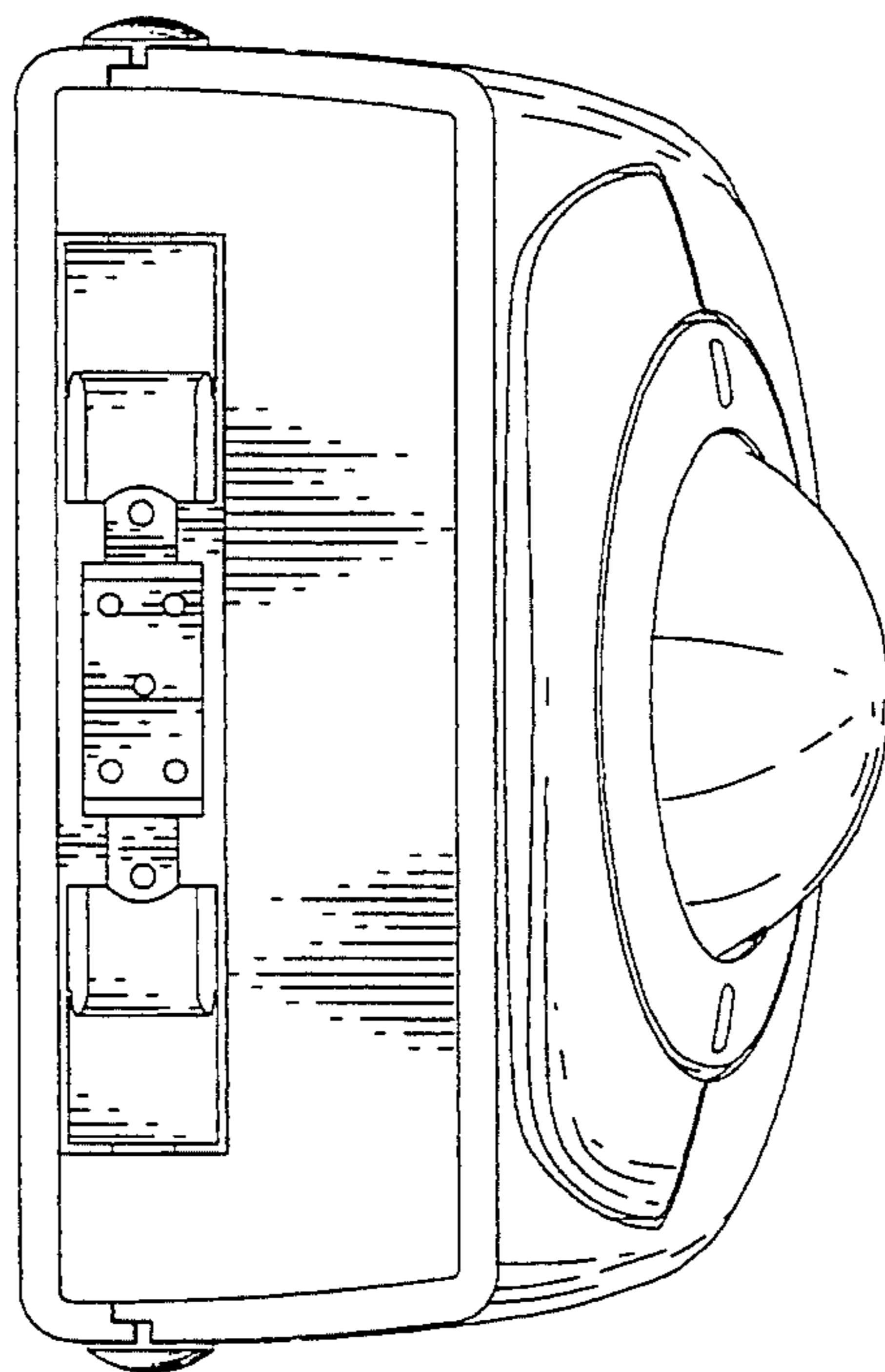


Figure 2

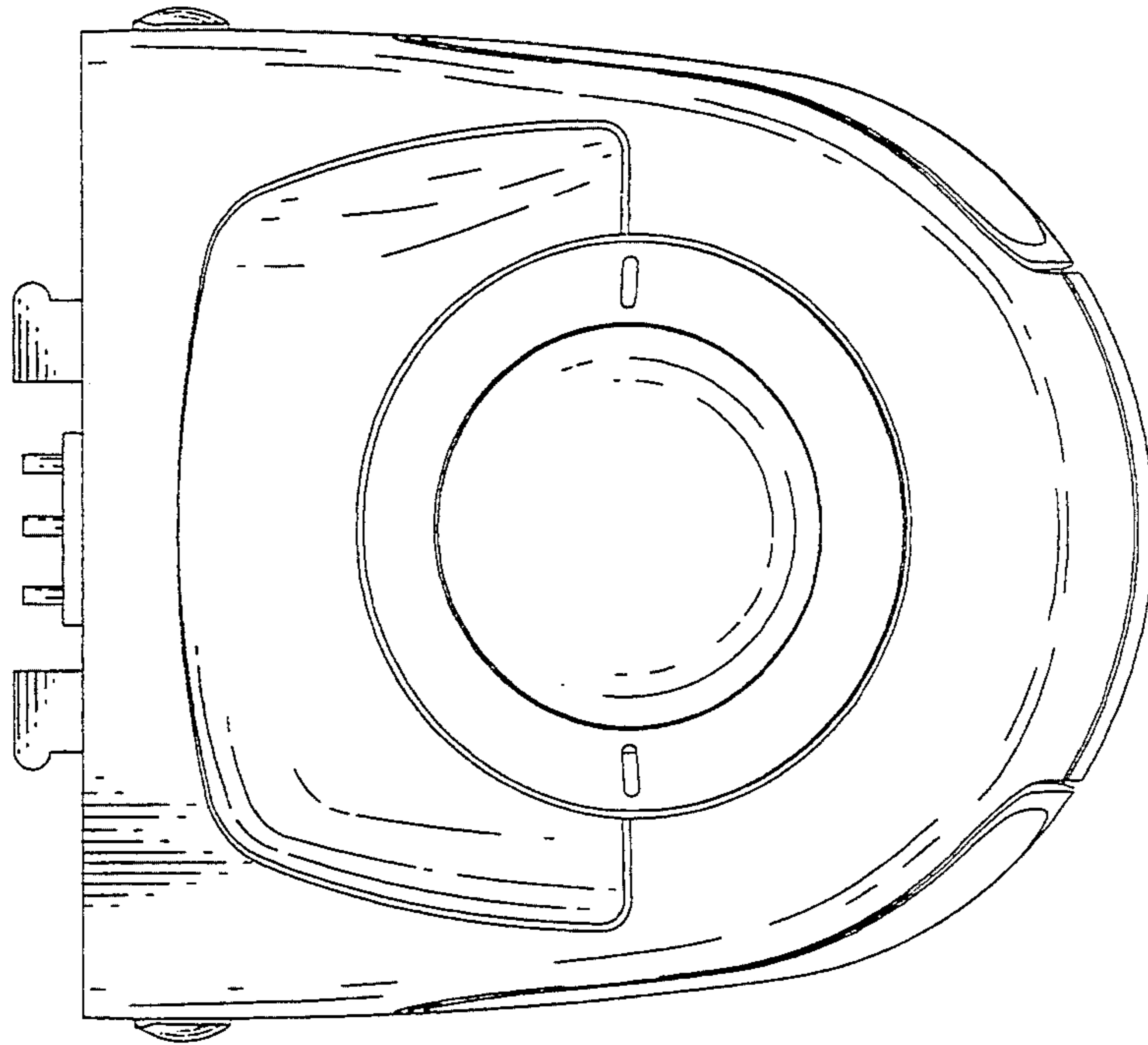


Figure 3

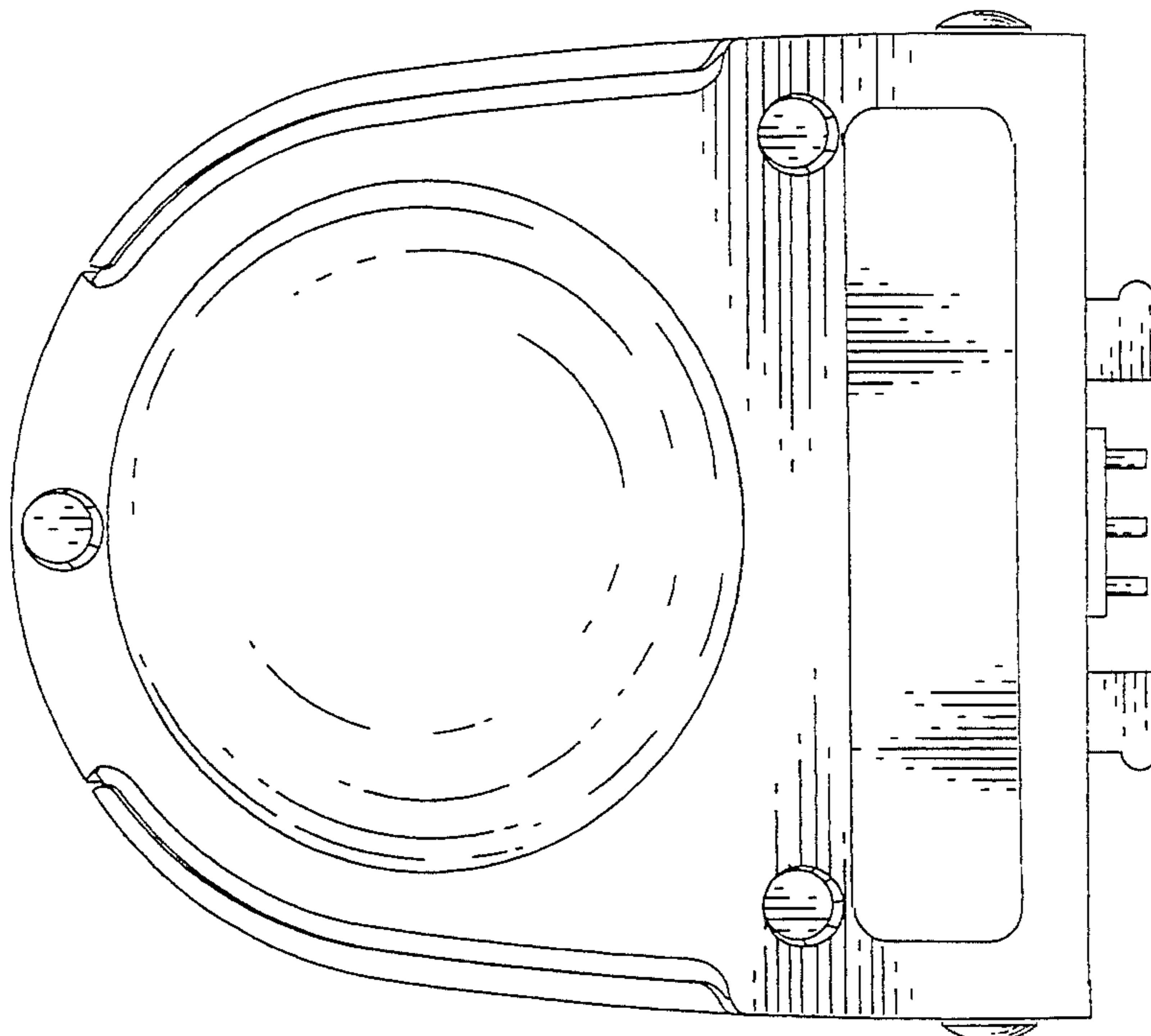


Figure 4

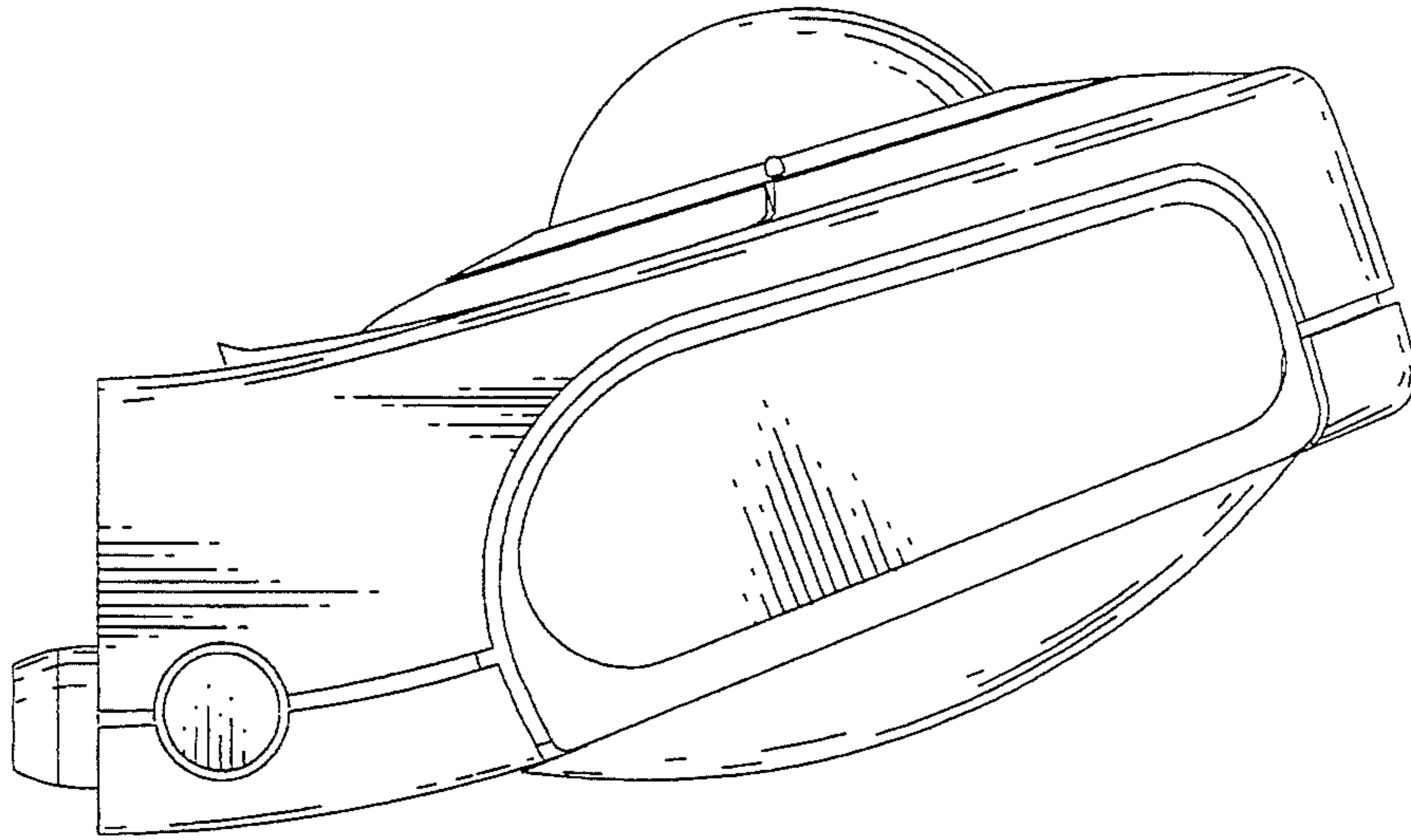


Figure 5

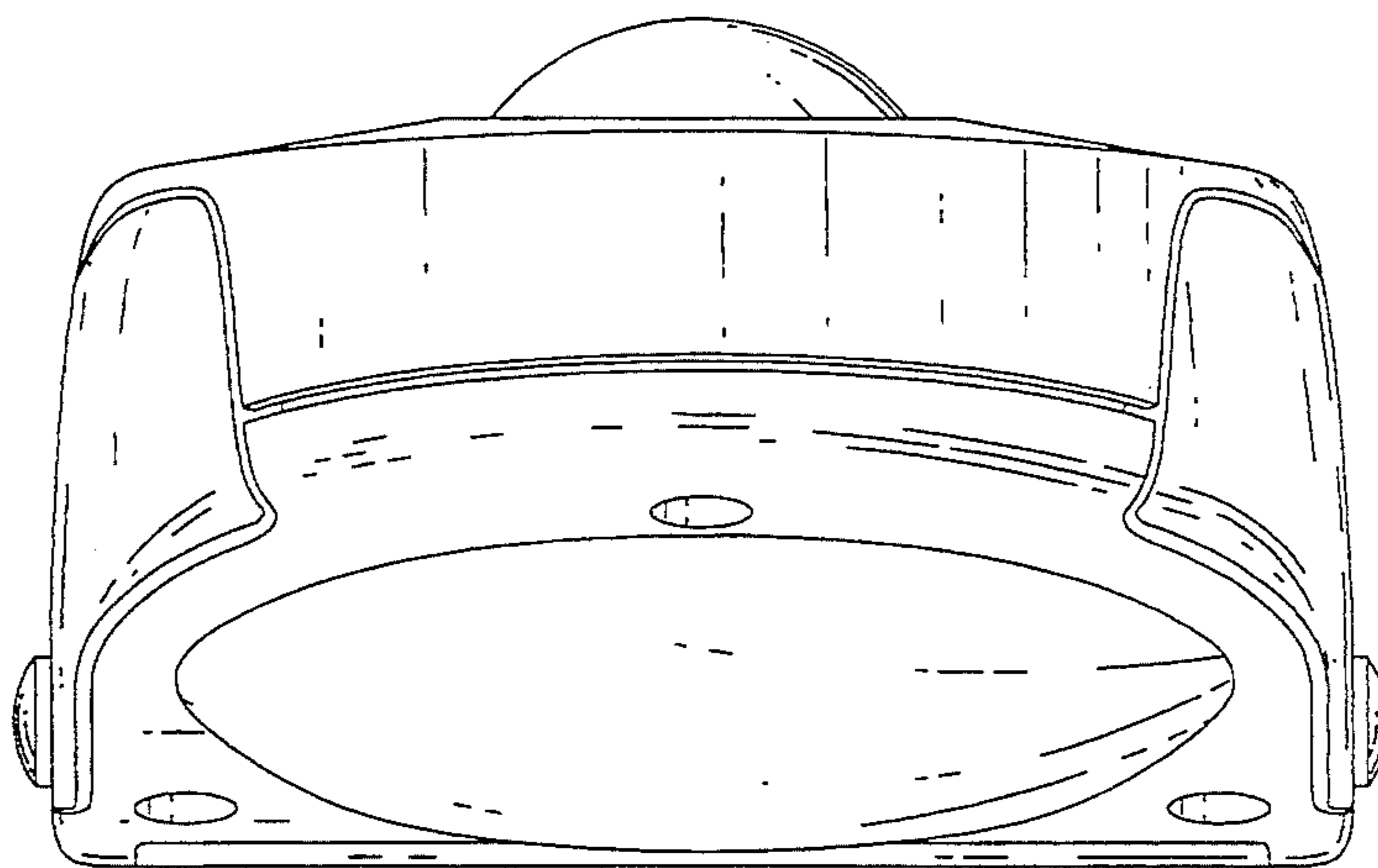


Figure 6

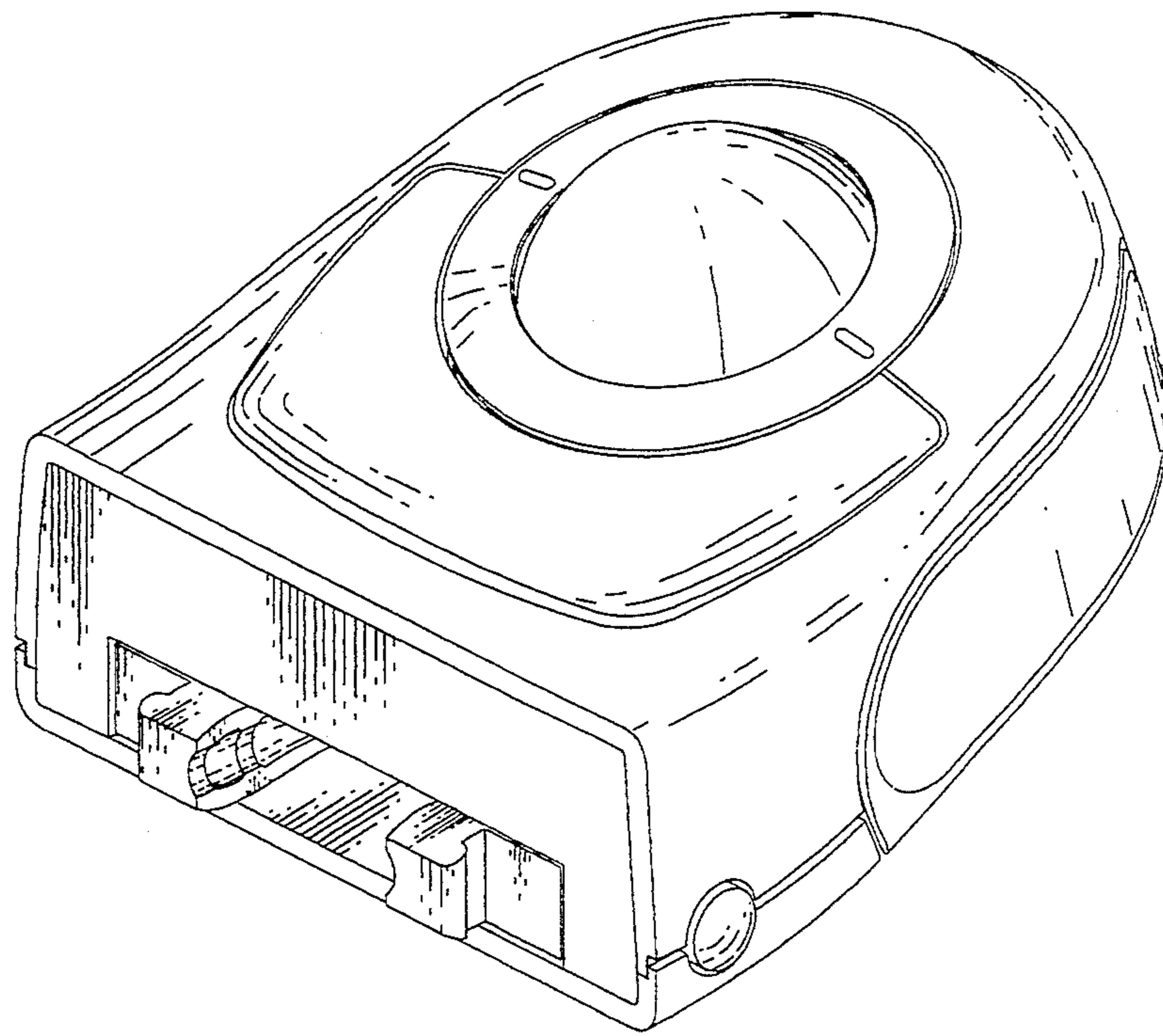


Figure 7

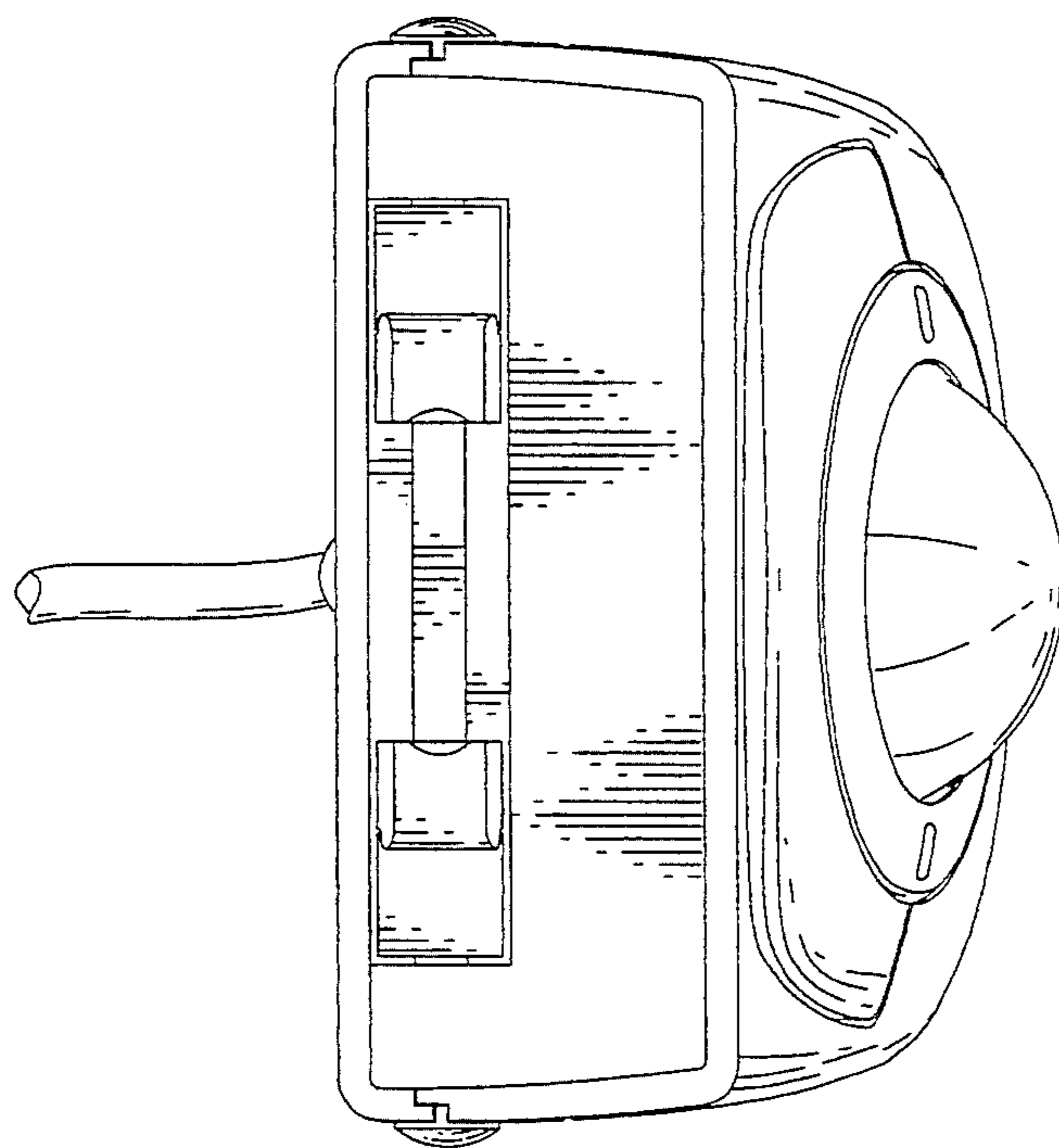


Figure 8

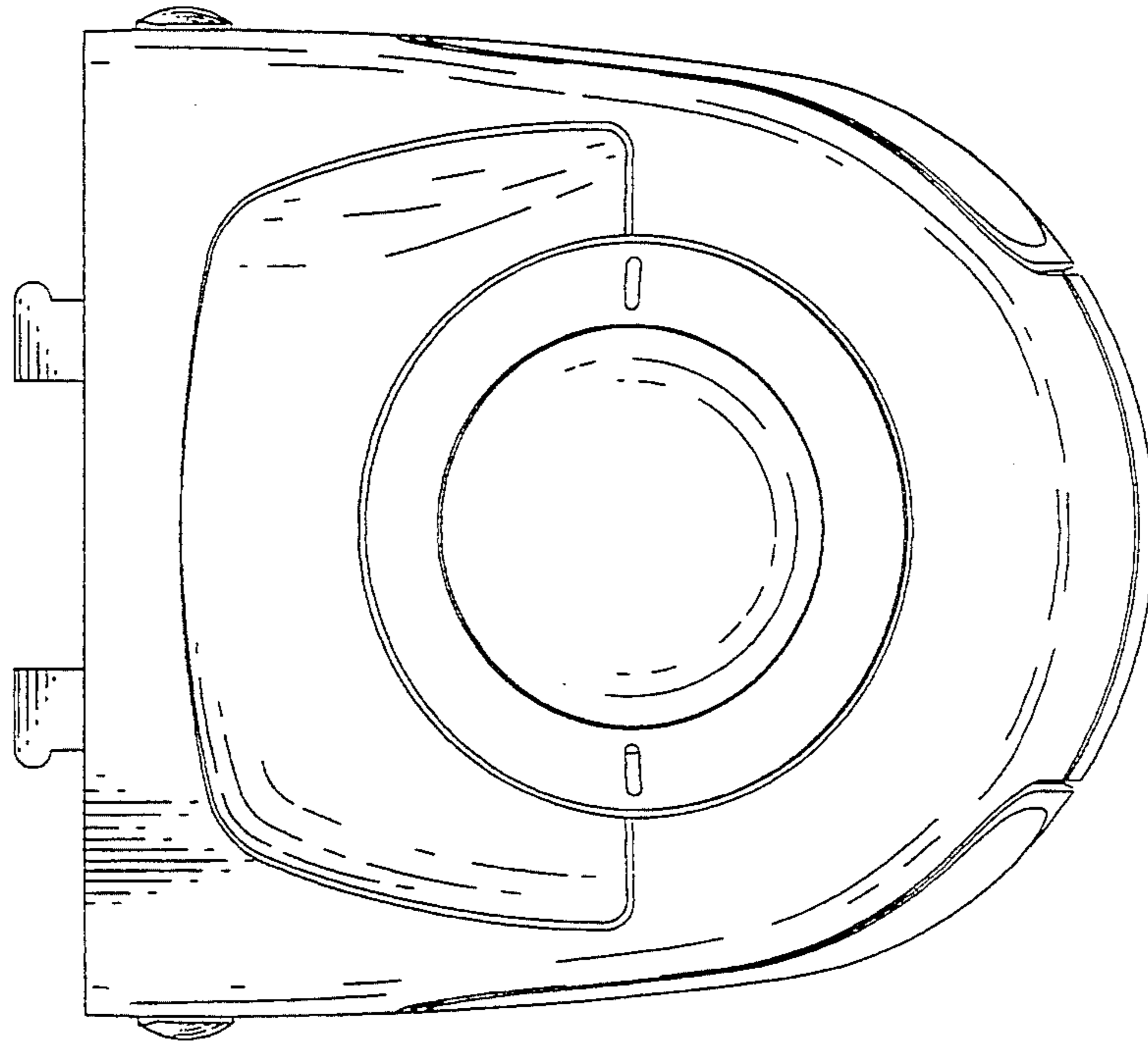


Figure 9

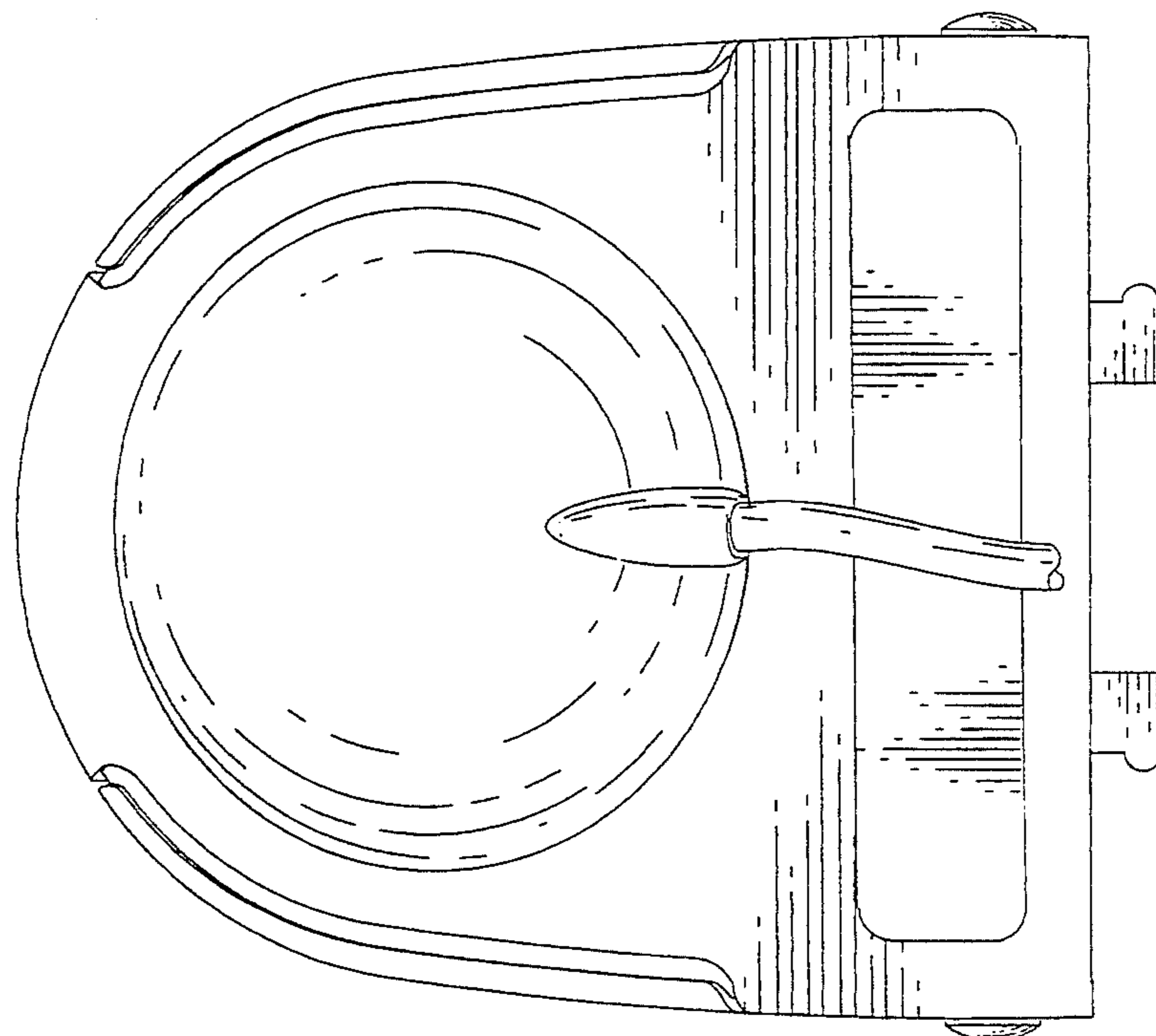


Figure 10

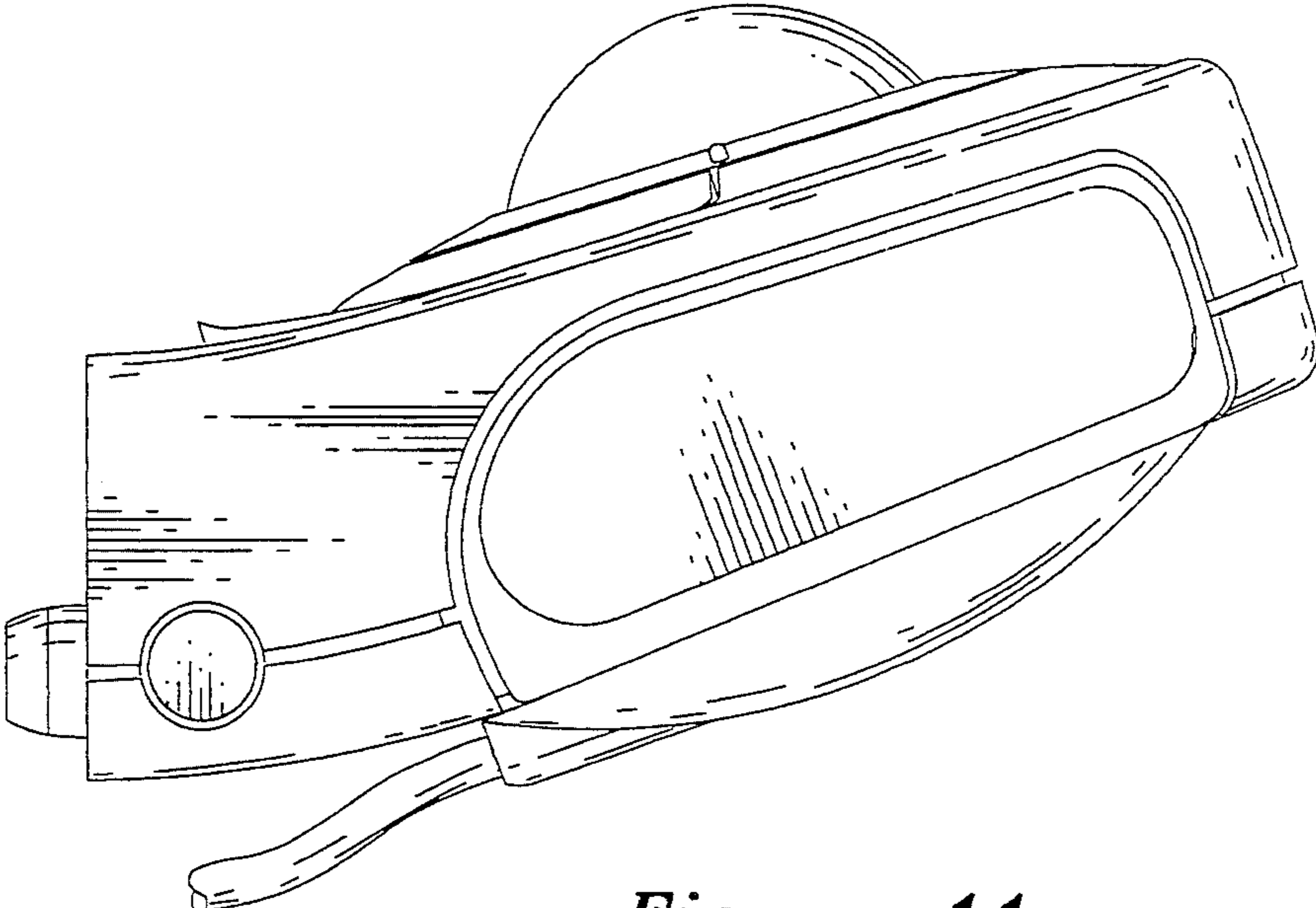


Figure 11

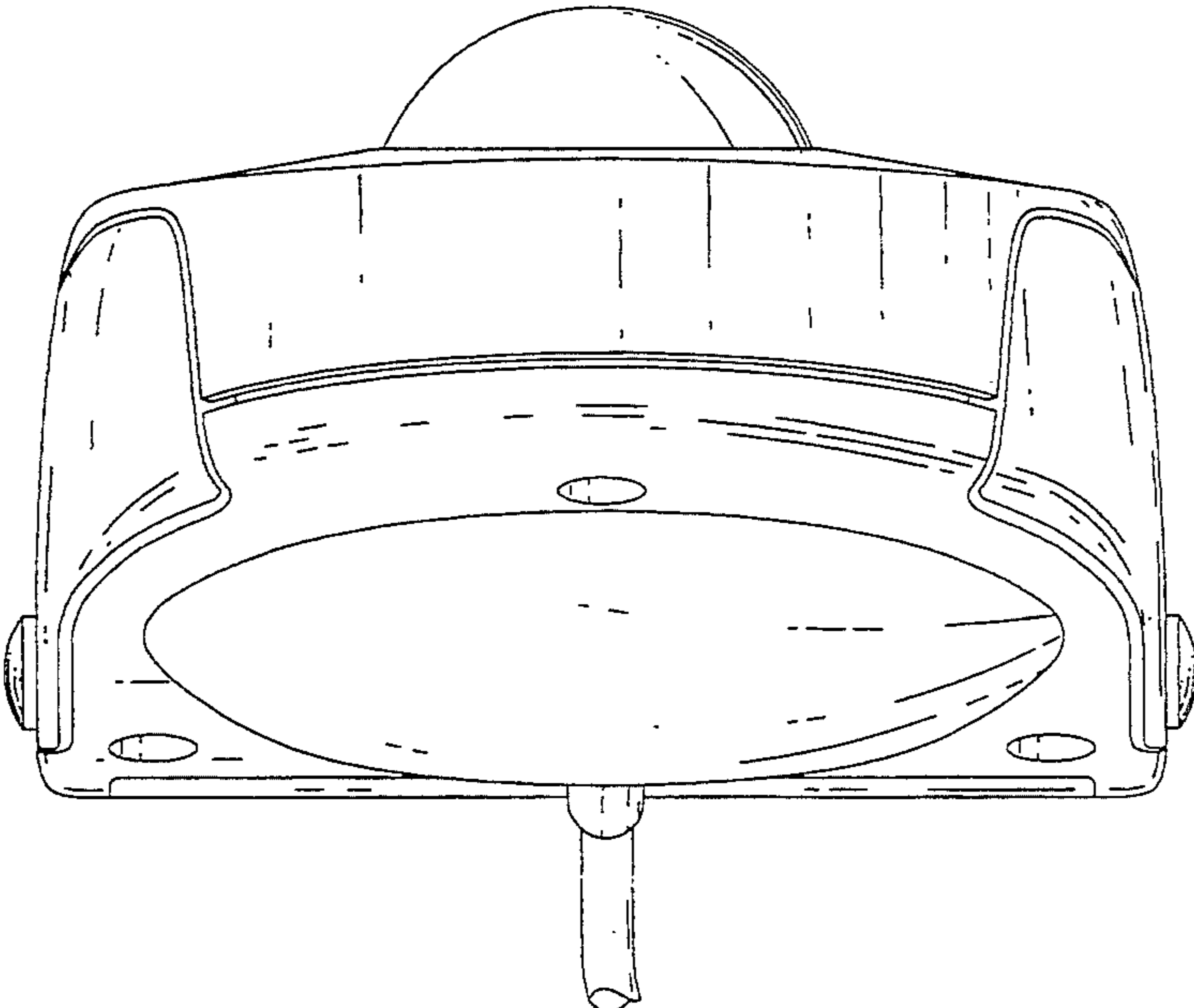


Figure 12