



US00D361757S

United States Patent [19]

[11] Patent Number: **Des. 361,757**

Mizusugi et al.

[45] Date of Patent: **** Aug. 29, 1995**

[54] CASH REGISTER

[75] Inventors: **Kanji Mizusugi, Mie; Yukio Kanaoka,**
Nara, both of Japan

[73] Assignee: **Sharp Kabushiki Kaisha, Osaka,**
Japan

[**] Term: **14 Years**

[21] Appl. No.: **28,573**

[22] Filed: **Oct. 17, 1994**

[30] Foreign Application Priority Data

Apr. 26, 1994 [JP] Japan 6-12182

[52] U.S. Cl. **D14/105; D18/4**

[58] Field of Search **D14/100, 101, 105, 106,**
D14/107, 113, 115; D18/1, 4, 7; 235/145 A,
145 R, 2, 6, 7 R, 383; 364/404, 405; 341/22, 23;
194/205

[56] References Cited

U.S. PATENT DOCUMENTS

| | | | |
|------------|---------|---------------------|----------|
| D. 310,212 | 8/1990 | Forsythe | D18/4 X |
| D. 330,098 | 10/1992 | Van Skiver | D30/121 |
| D. 333,147 | 2/1993 | Miyake et al. | D18/4 |
| D. 333,672 | 3/1993 | Minamizono | D18/4 |
| D. 346,794 | 5/1994 | Arakaki et al. | D18/4 X |
| D. 350,841 | 9/1994 | Van Skiver | D30/121 |
| D. 351,689 | 10/1994 | Van Skiver | D30/121 |
| D. 353,613 | 12/1994 | Miyake et al. | D18/4 |
| D. 354,976 | 1/1995 | Miyake et al. | D18/4 |
| D. 354,977 | 1/1995 | Miyake et al. | D18/4 |
| 3,720,184 | 3/1973 | Pearce | 119/77 |
| 3,730,141 | 5/1973 | Manning et al. | 119/51.5 |

| | | | |
|-----------|---------|--------------------|-----------|
| 4,303,039 | 12/1981 | Thibault | 119/53 |
| 4,721,063 | 1/1988 | Atchley | 119/52.1 |
| 4,735,171 | 4/1988 | Essex | 119/51.12 |
| 4,840,143 | 6/1989 | Simon | 119/72 |
| 5,353,739 | 10/1994 | Chu | 119/54 |
| 5,365,879 | 11/1994 | Ho Ying-Kuan | 119/18 |

FOREIGN PATENT DOCUMENTS

| | | | |
|---------|---------|--------------|--------|
| 7316602 | 11/1974 | France | 119/77 |
|---------|---------|--------------|--------|

OTHER PUBLICATIONS

Star Crest of California advertisement for Food Feeder #7-14120-3.

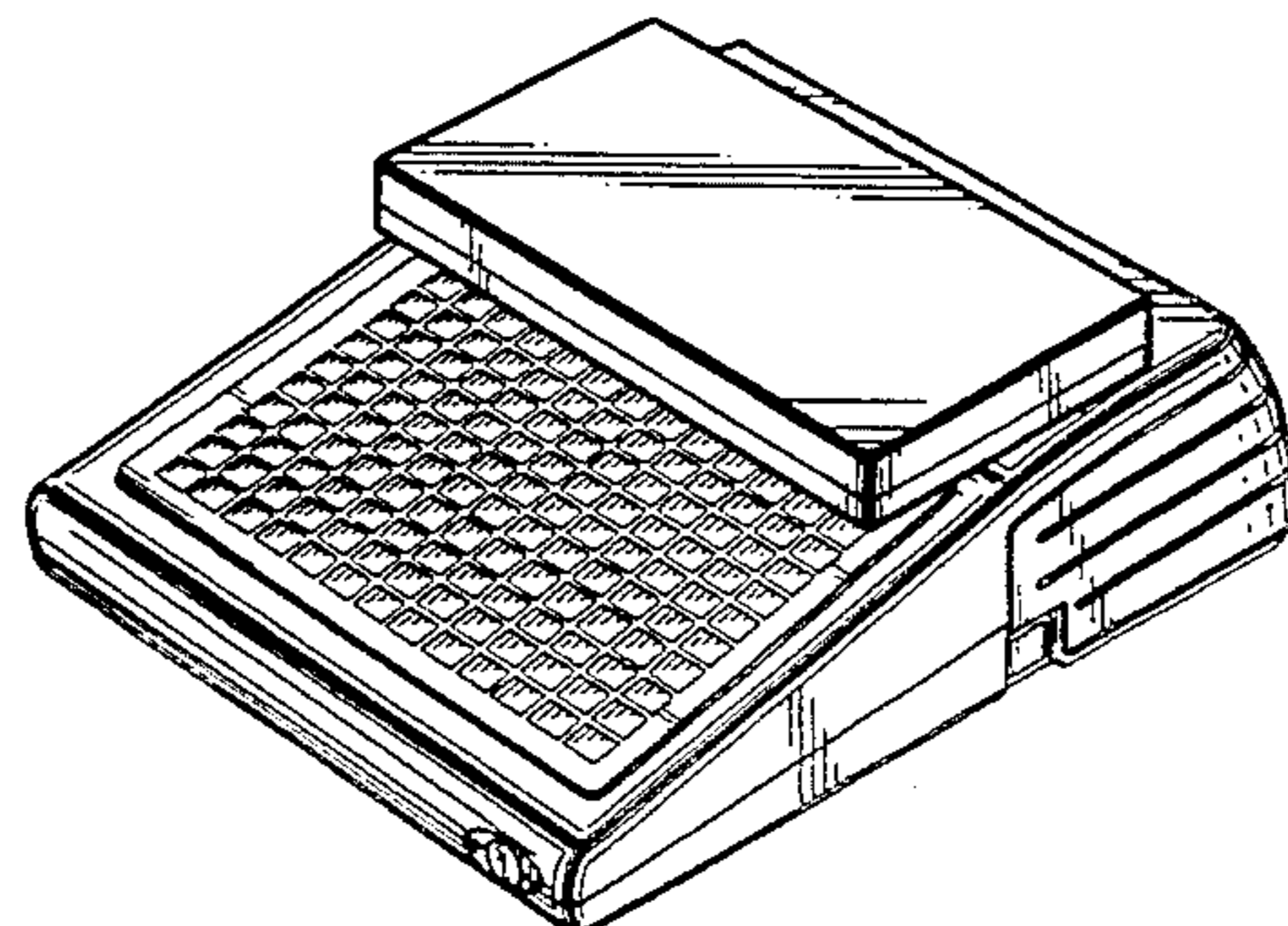
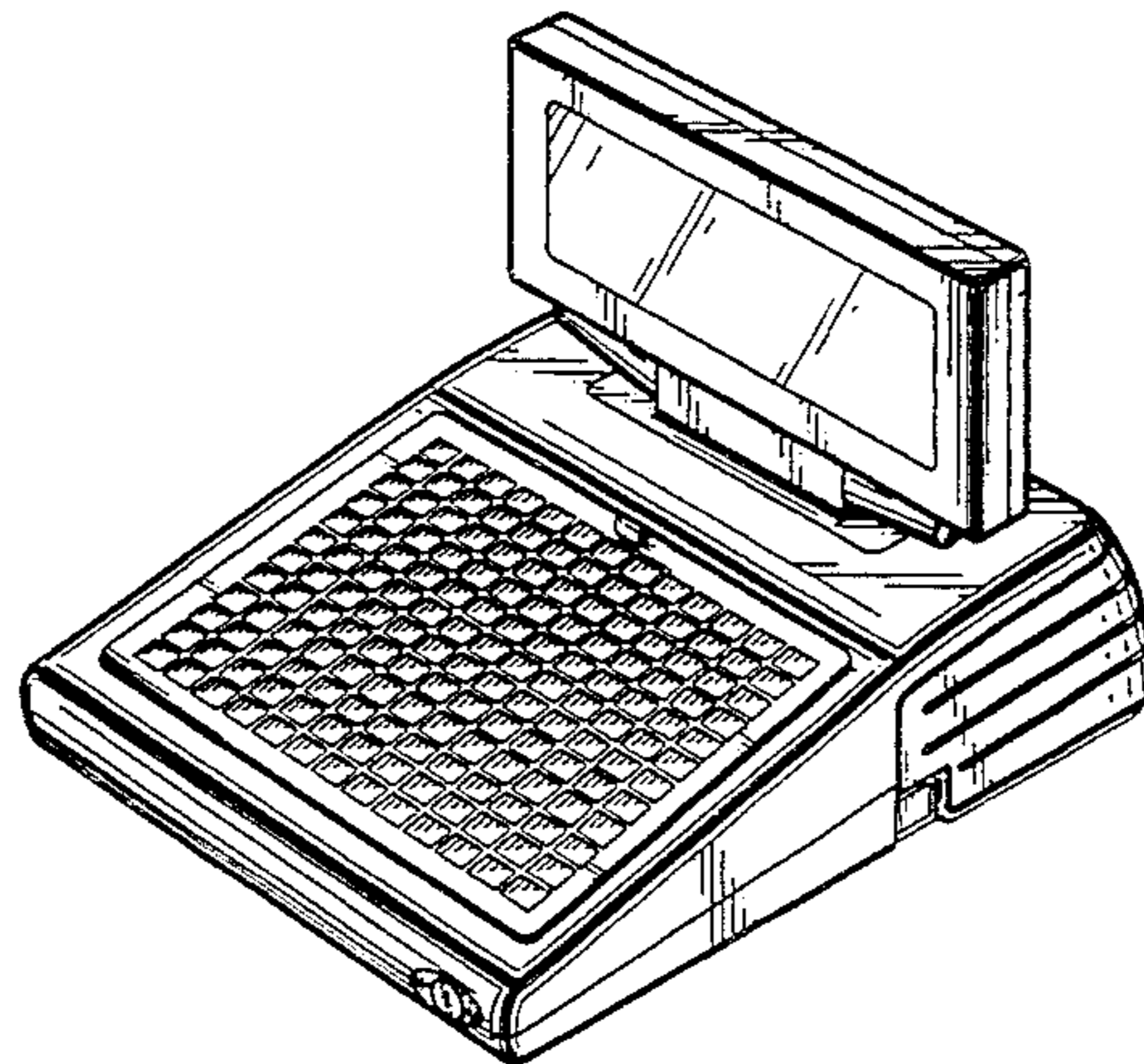
Primary Examiner—Freda S. Nunn
Attorney, Agent, or Firm—Nixon & Vanderhye

[57] CLAIM

The ornamental design for a cash register, as shown and described.

DESCRIPTION

FIG. 1 is a top, front and right side perspective view of a cash register according to our invention;
 FIG. 2 is a top, rear and right side perspective view thereof;
 FIG. 3 is a top plan view thereof;
 FIG. 4 is a front elevational view thereof;
 FIG. 5 is a right side elevational view thereof;
 FIG. 6 is a rear elevational view thereof;
 FIG. 7 is a left side elevational view thereof;
 FIG. 8 is a bottom plan view thereof; and,
 FIG. 9 is a top, front and right side perspective view thereof with the display in a folded horizontal configuration.



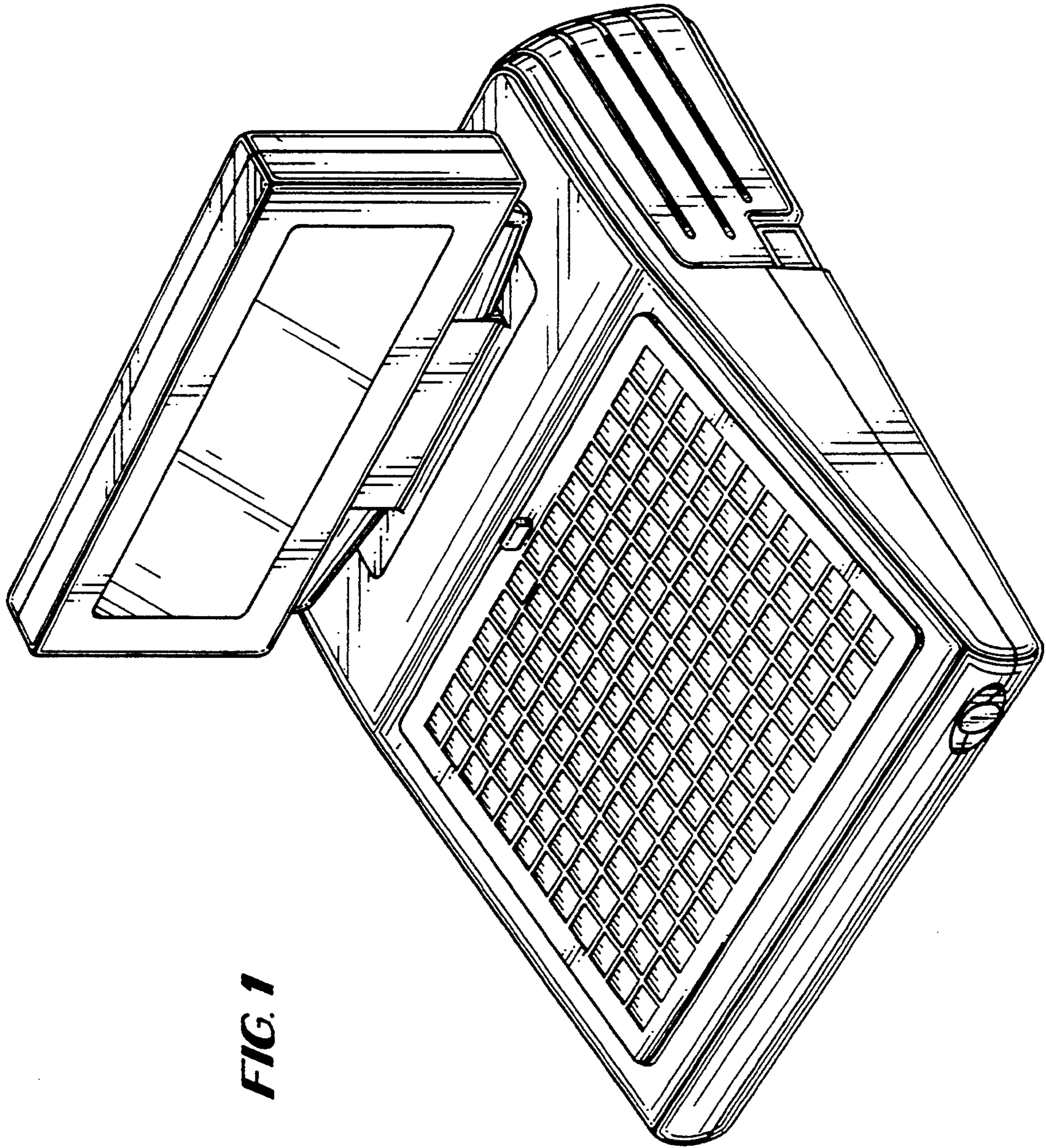


FIG. 1

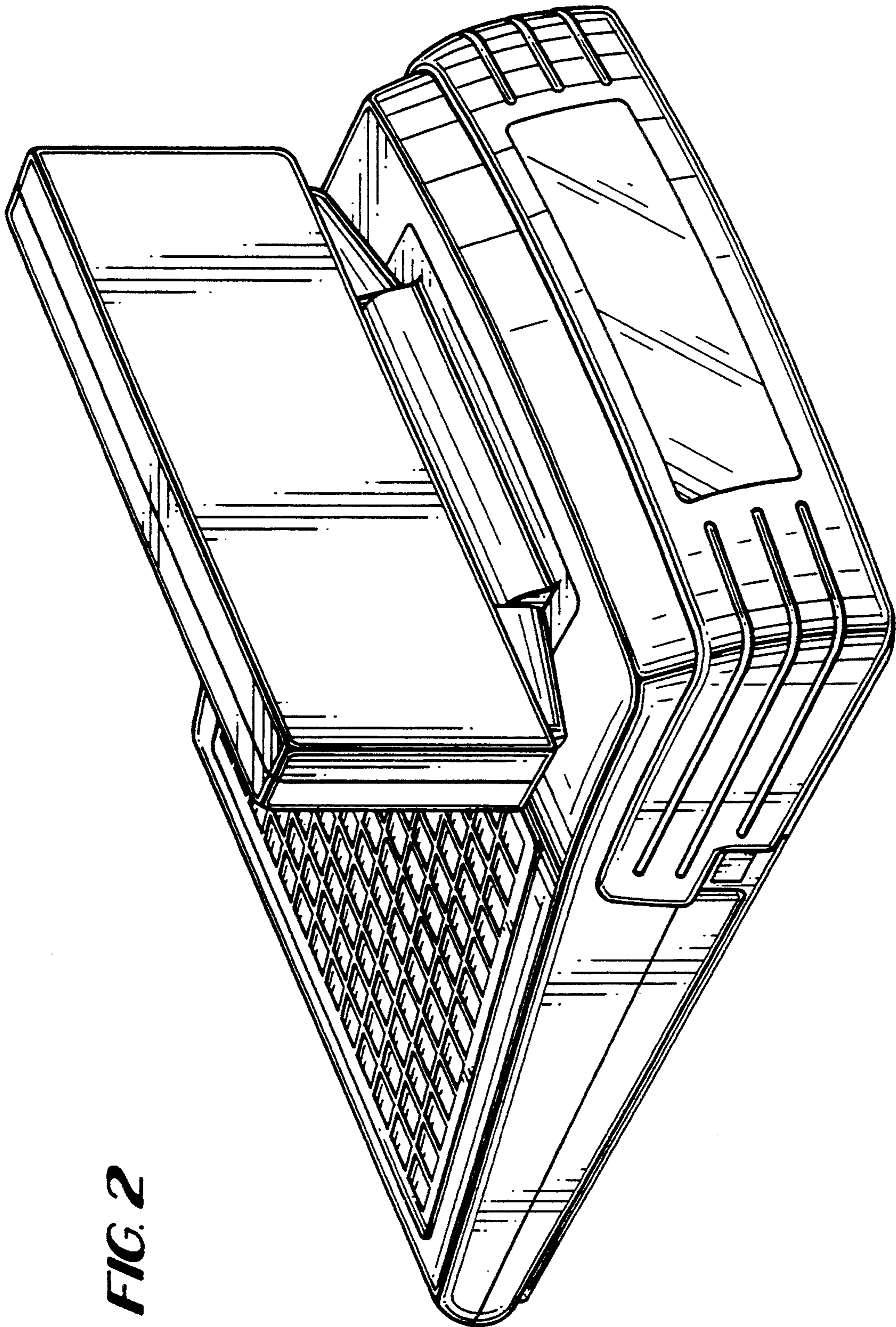
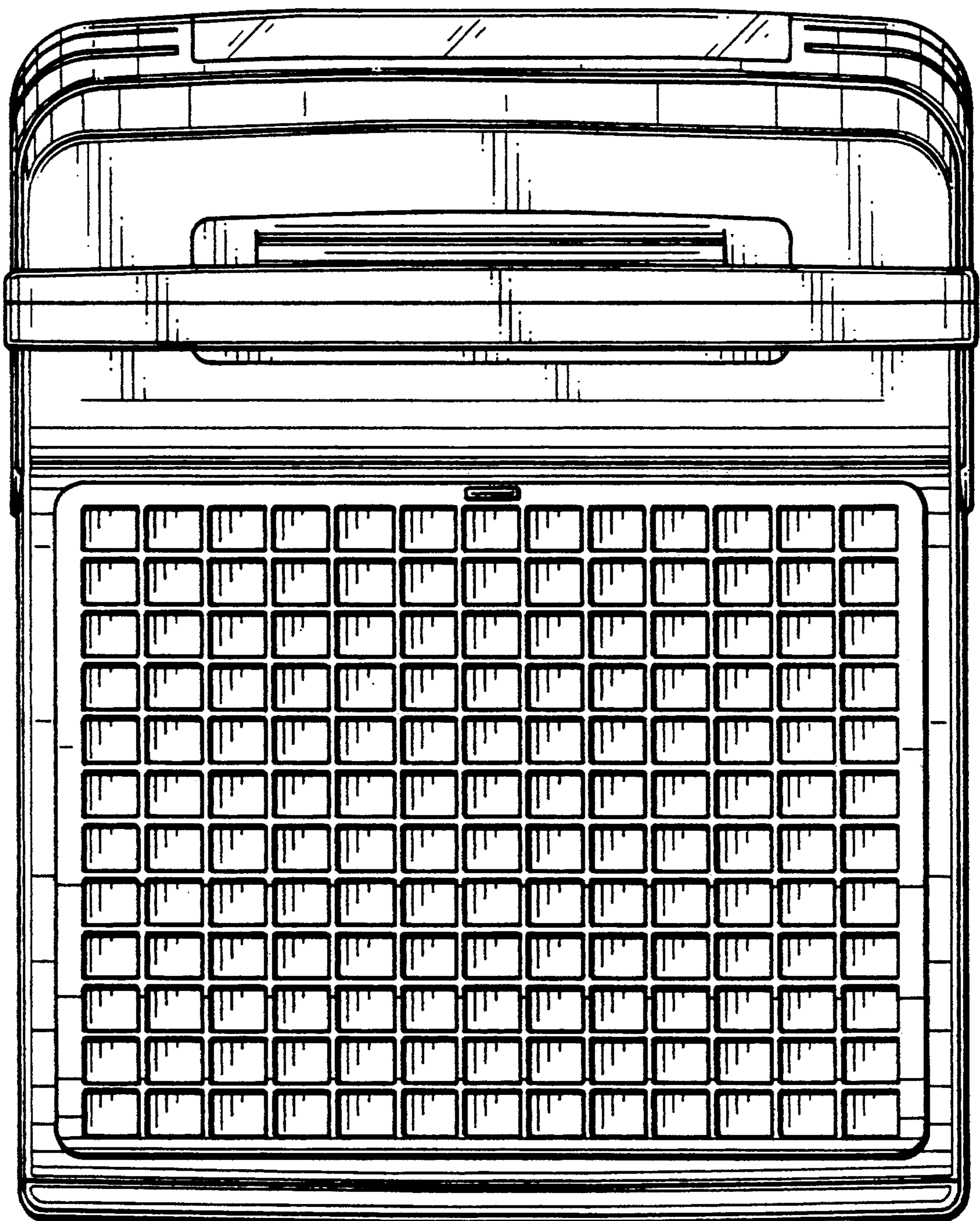


FIG. 2

FIG. 3



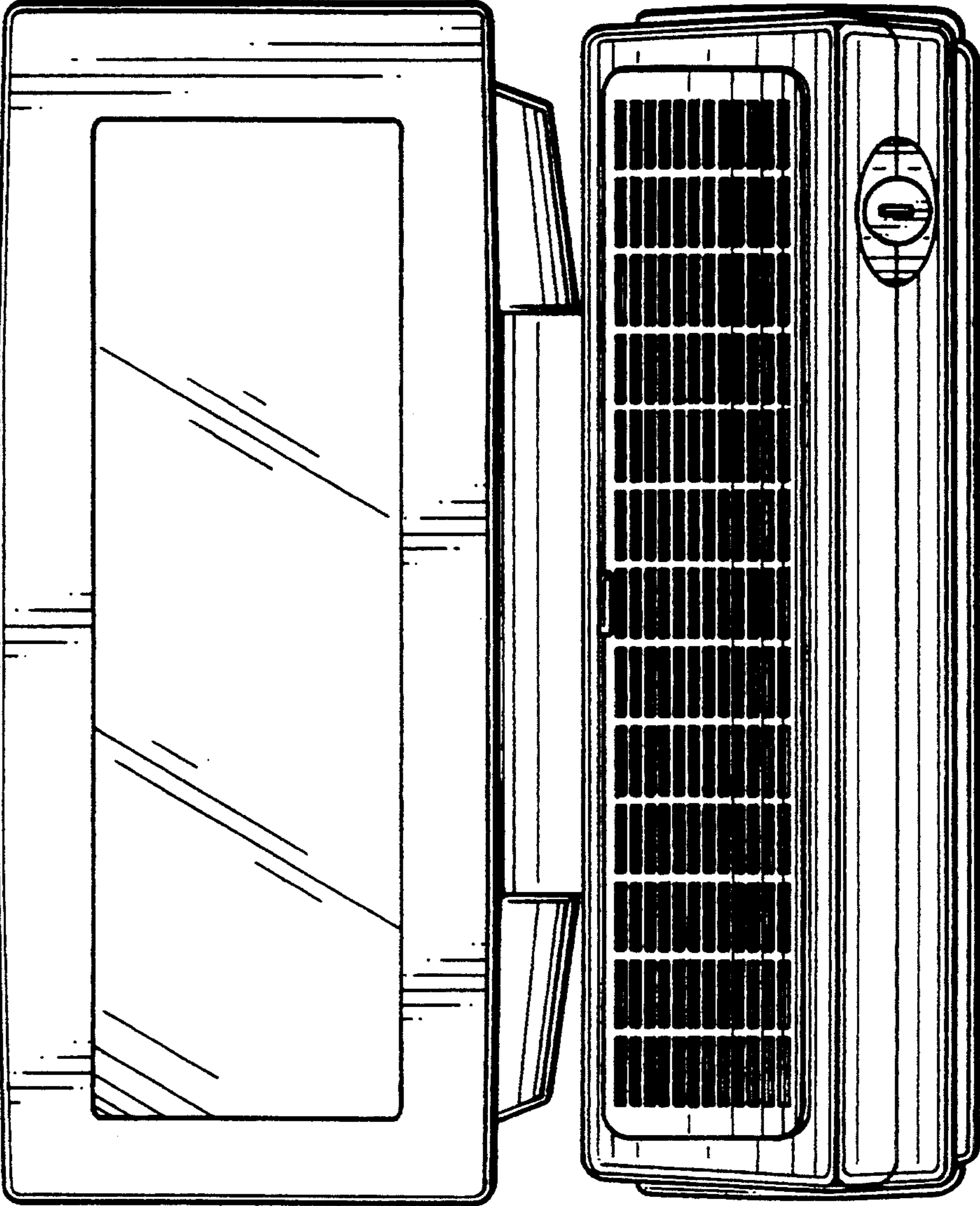


FIG. 4

FIG. 5

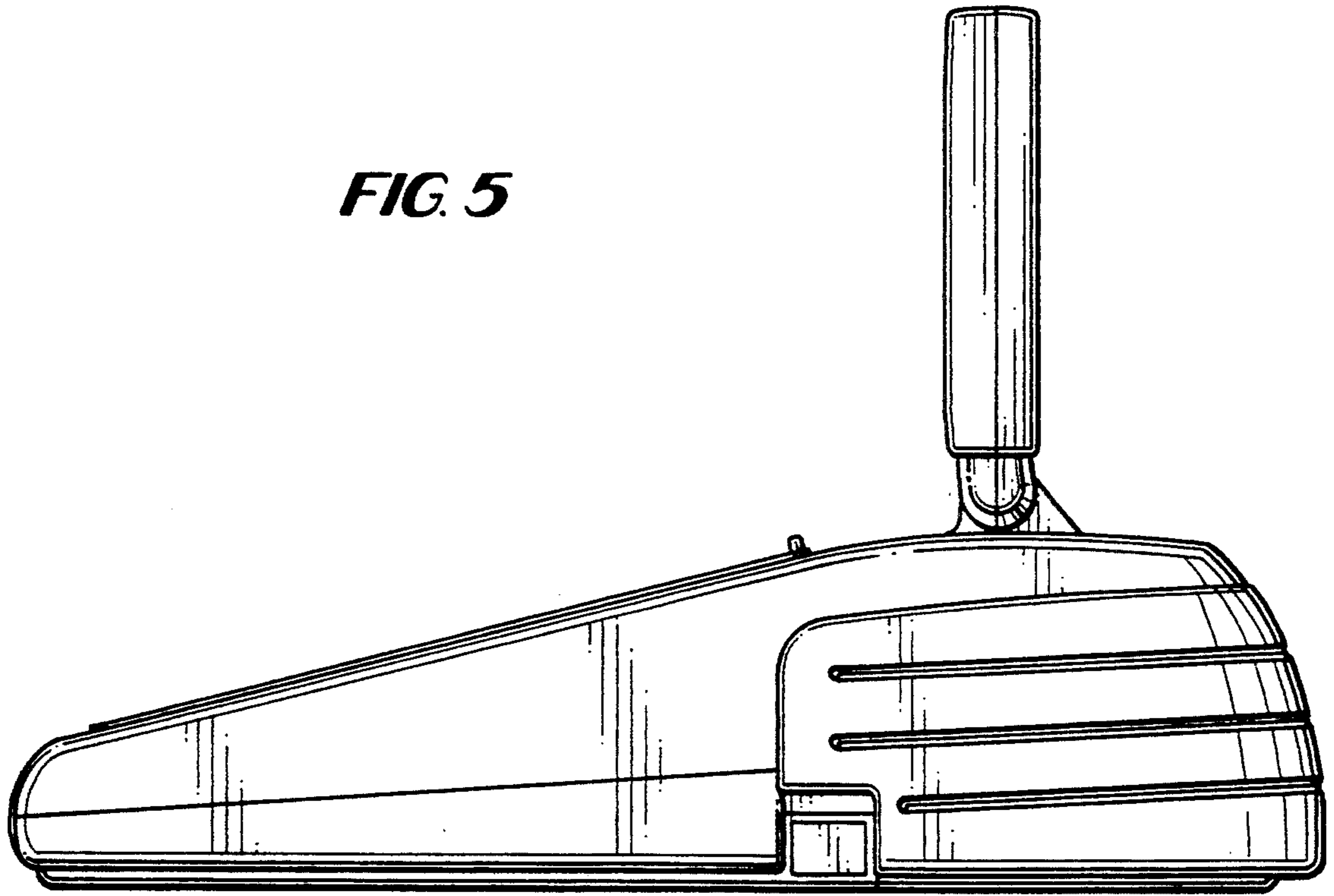
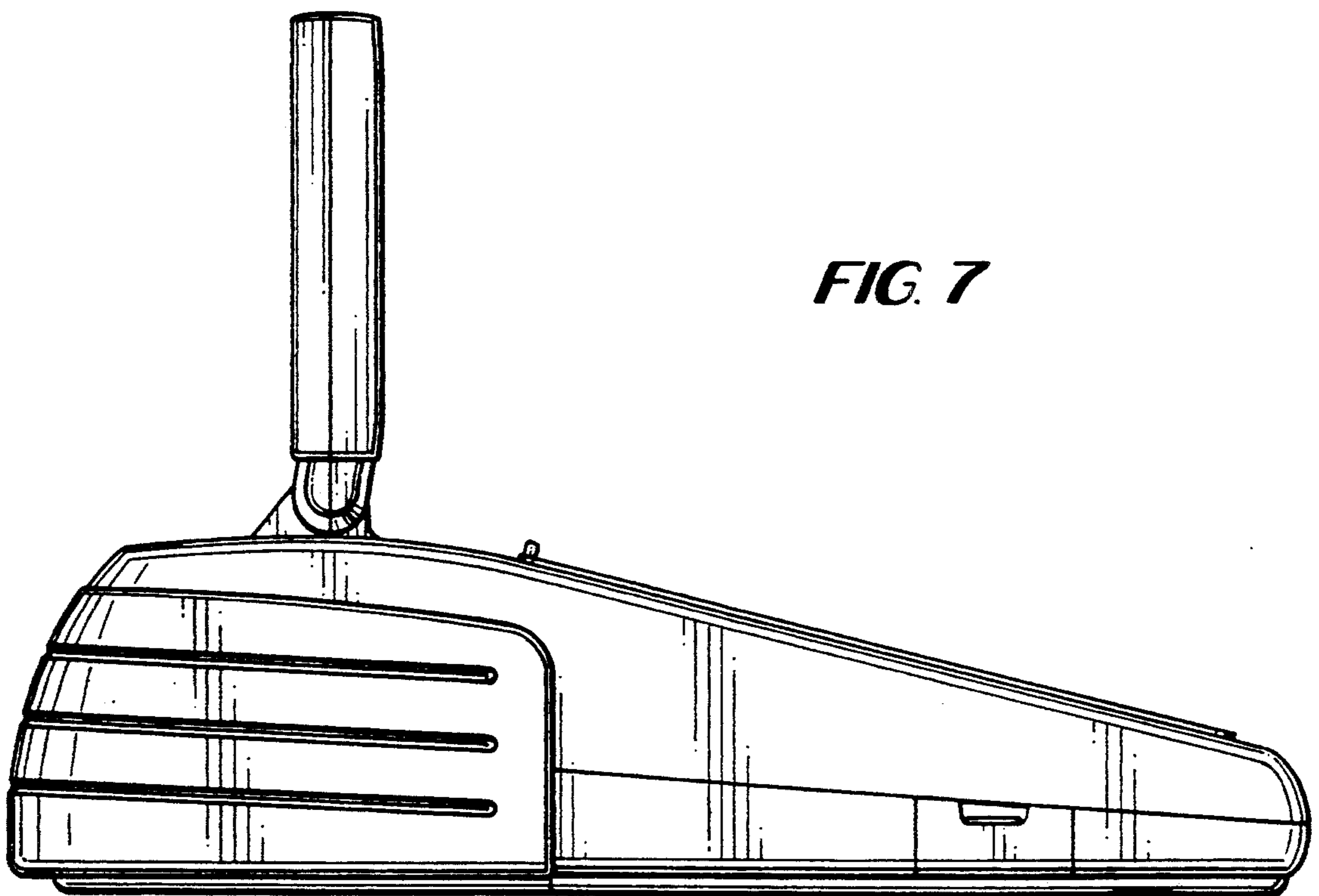


FIG. 7



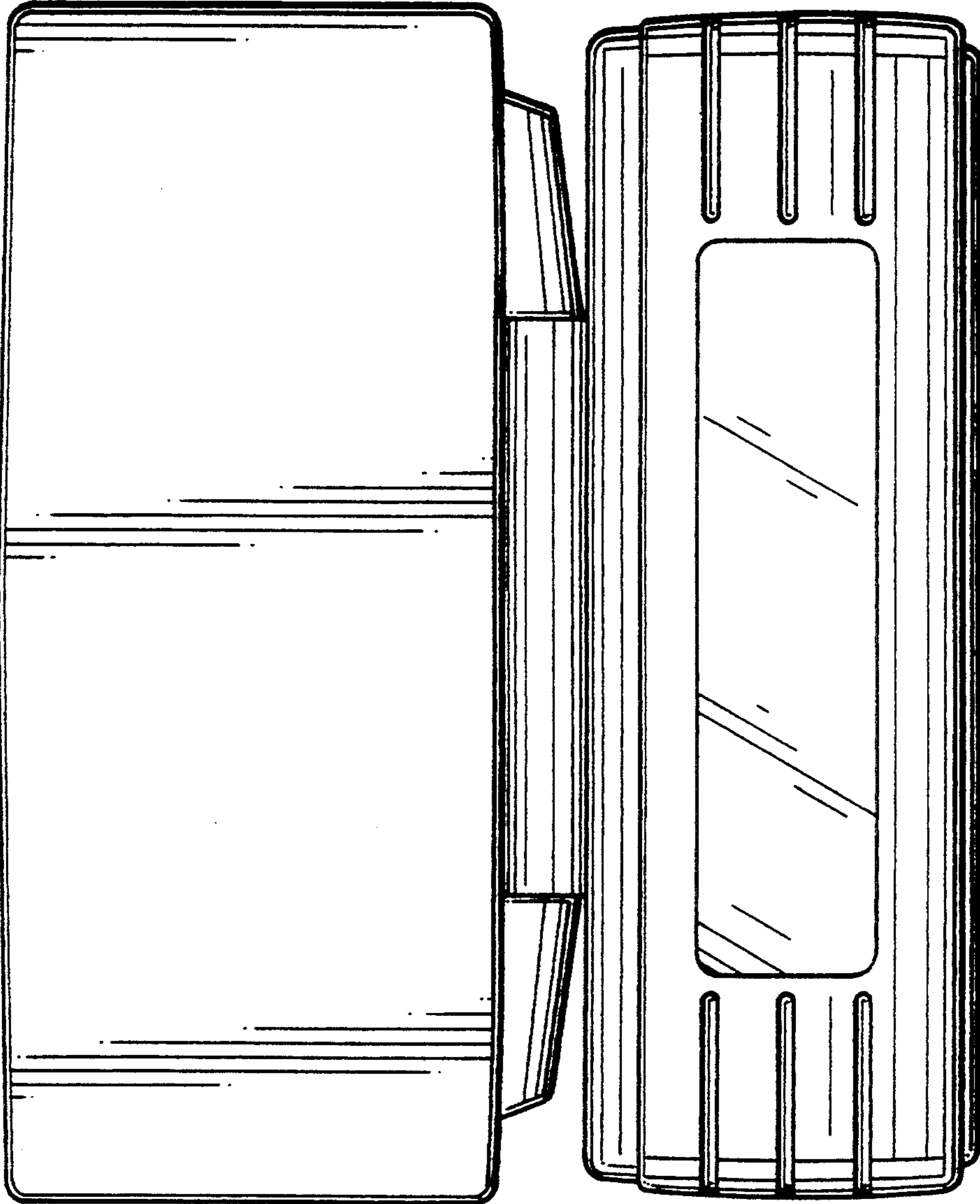
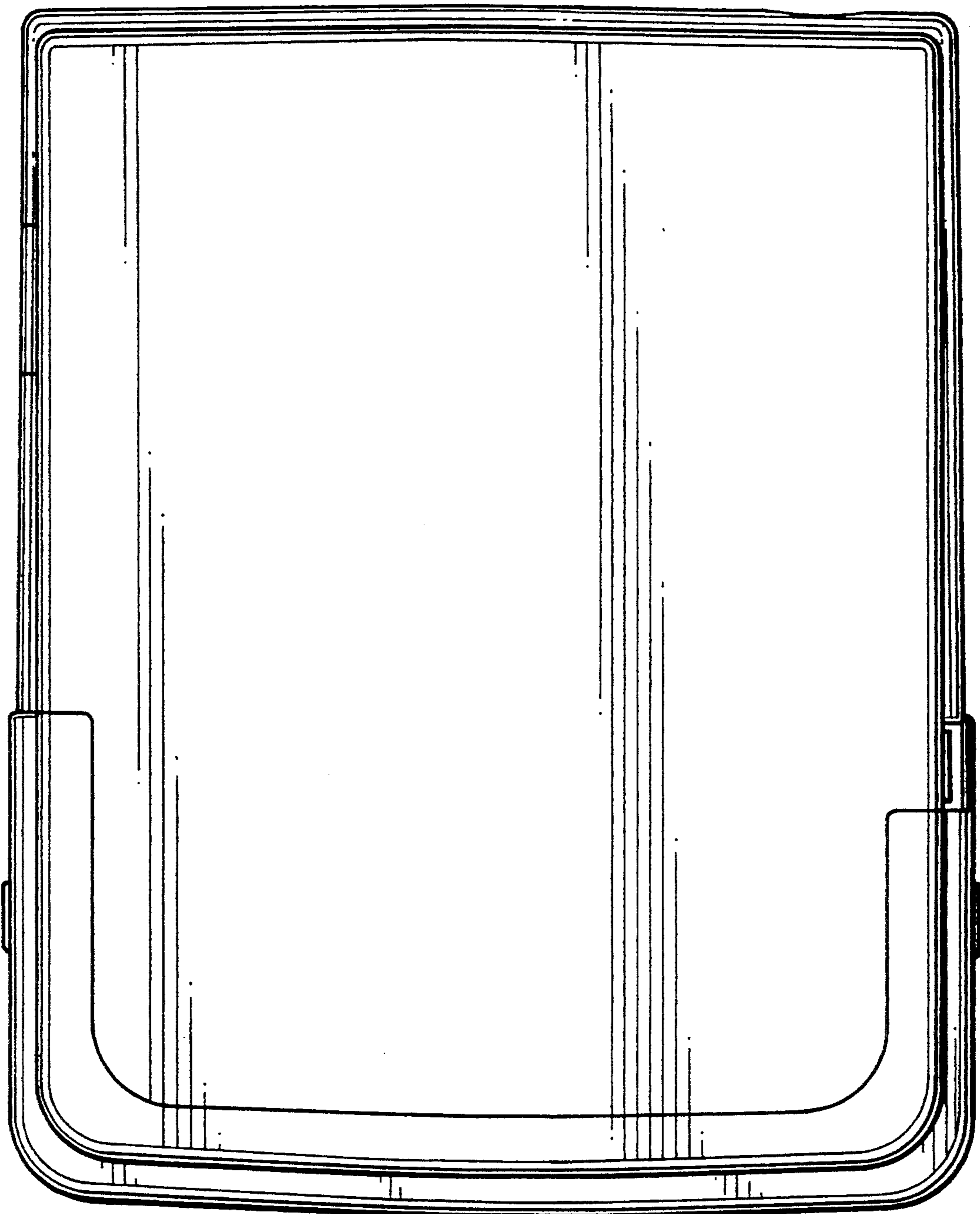


FIG. 6

FIG. 8



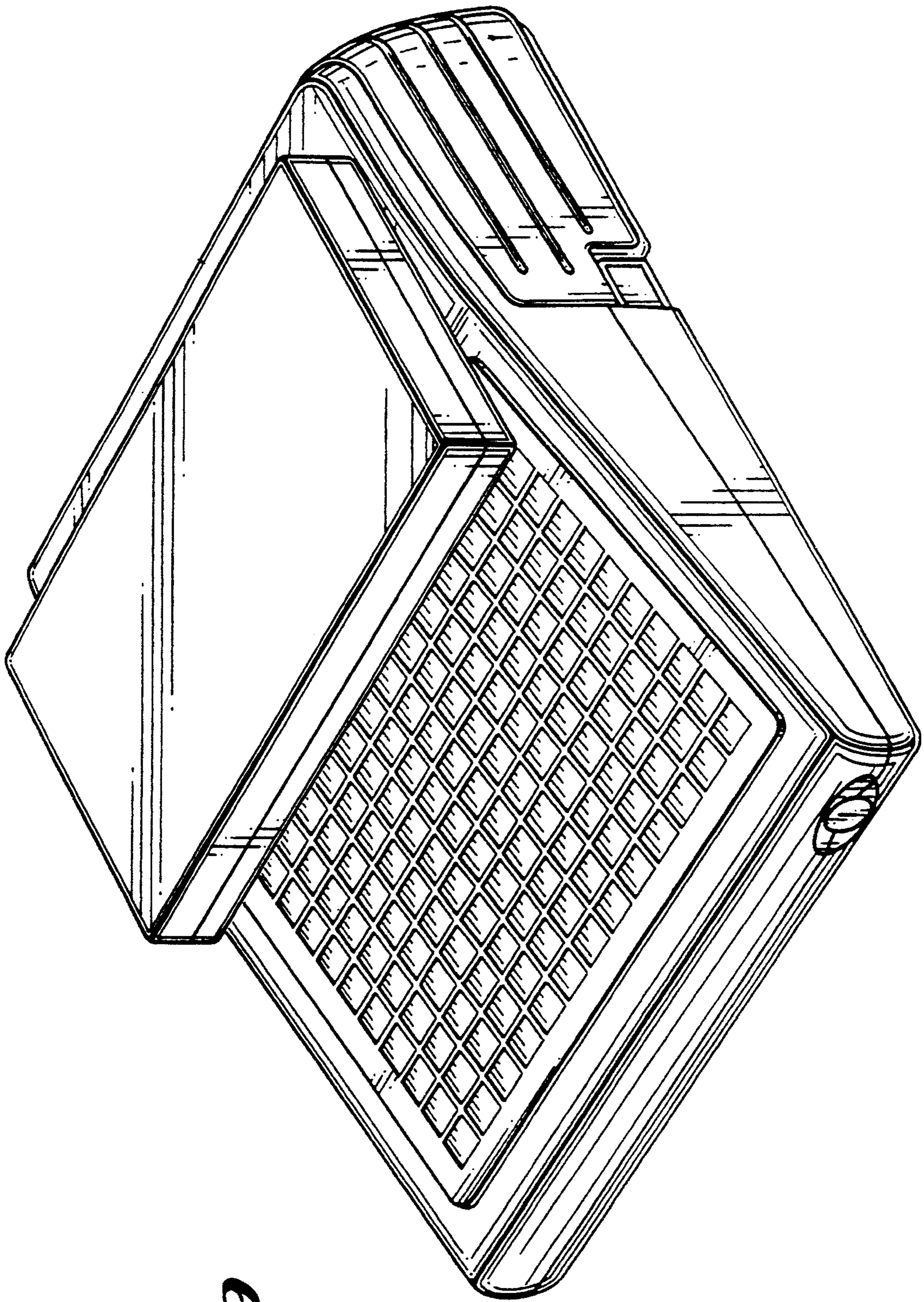


FIG. 9