



US00D361755S

United States Patent [19]

[11] Patent Number: **Des. 361,755**

Frank et al.

[45] Date of Patent: **** Aug. 29, 1995**

[54] HAND HELD COMPUTER HOUSING

[75] Inventors: **Edward H. Frank**, Portola Valley; **Michael R. Sheridan**, Mountain View; **Steve Peart**, Los Gatos, all of Calif.

[73] Assignee: **Sun Microsystems, Inc.**, Mountain View, Calif.

[**] Term: **14 Years**

[21] Appl. No.: **859**

[22] Filed: **Oct. 27, 1992**

[52] U.S. Cl. **D14/100; D14/113**

[58] Field of Search **D14/100, 105, 106, 113, D14/115, 124-127; D18/7; 345/168, 169, 172, 173; 364/708.1, 709.04, 709.12; D19/76**

[56] References Cited

U.S. PATENT DOCUMENTS

D. 317,151	5/1991	Daly	D14/100
D. 323,155	1/1992	Hino et al.	D14/100
D. 332,775	1/1993	Cavanaugh	D14/100
D. 332,776	1/1993	Kelly et al.	D14/100
D. 334,180	3/1993	Tedham et al.	D14/100

OTHER PUBLICATIONS

"EO Communicator: Lord of the Roads" (showing the Personal Communicator 440) by EO Inc., PC World Mag., Dec. 1992, p. 58.

"EO's Penn-Based Gadgets Focus on Telecom" (show-

ing the personal Communicator 440) by EO Inc., MacWEEK Newspaper, Nov. 9, 1992, vol. 6, No. 40.

"You Can Take It With You" (showing Grid Systems' Grid Convertible) PC World Magazine, Dec. 1992, pp. 50-52.

"Newton's World" (showing Apple's Newton palm-top), MacUser Magazine, Aug. 1992, pp. 1, 45-47.

"Hand-Helds —Apple Newton", PC World Magazine, Dec. 1992, p. 248.

Primary Examiner—Freda S. Dunn

Attorney, Agent, or Firm—Erwin J. Basinski

[57] CLAIM

The ornamental design for a hand held computer housing, as shown and described.

DESCRIPTION

FIG. 1 is a top front and left side perspective view of a hand held computer housing showing our new design; FIG. 2 is a top rear and left side perspective view thereof;

FIG. 3 is a front view thereof;

FIG. 4 is a rear view thereof;

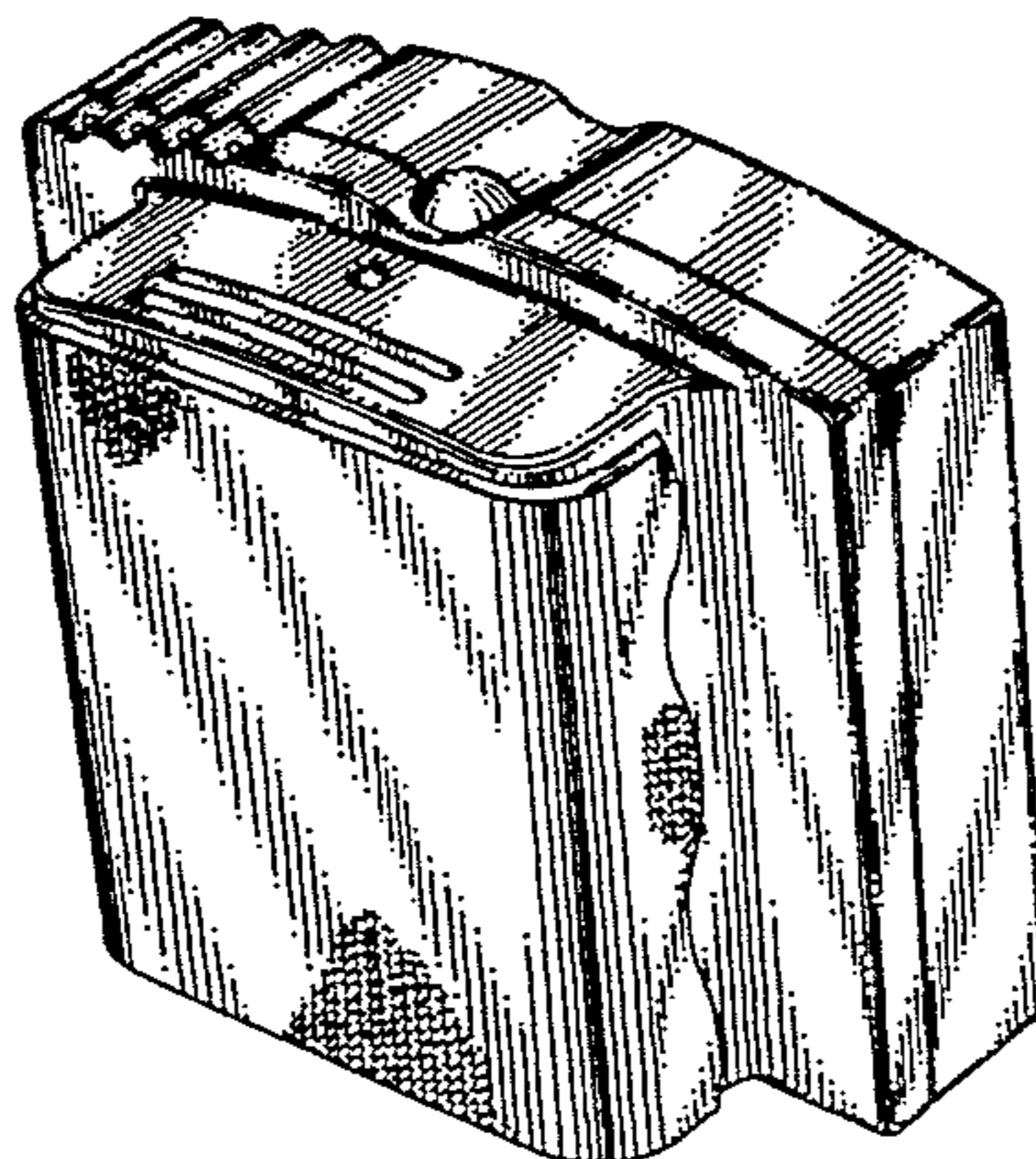
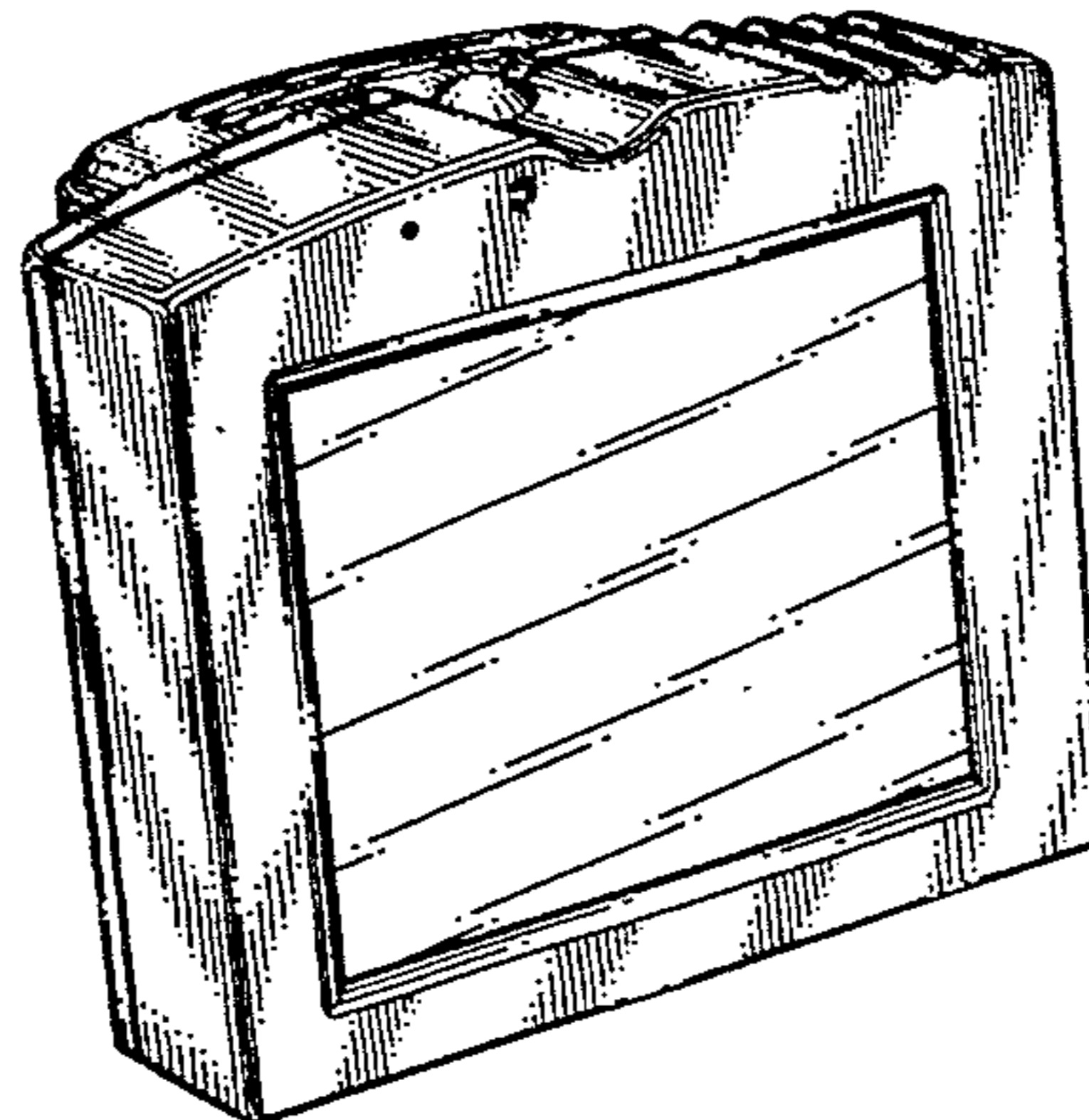
FIG. 5 is a left side view thereof;

FIG. 6 is a right side view thereof;

FIG. 7 is a top view thereof; and,

FIG. 8 is a bottom view thereof.

The pattern partially shown in the figures for ease of illustration represents a conventional material and it is understood to continue uniformly across each of the indicated surfaces.



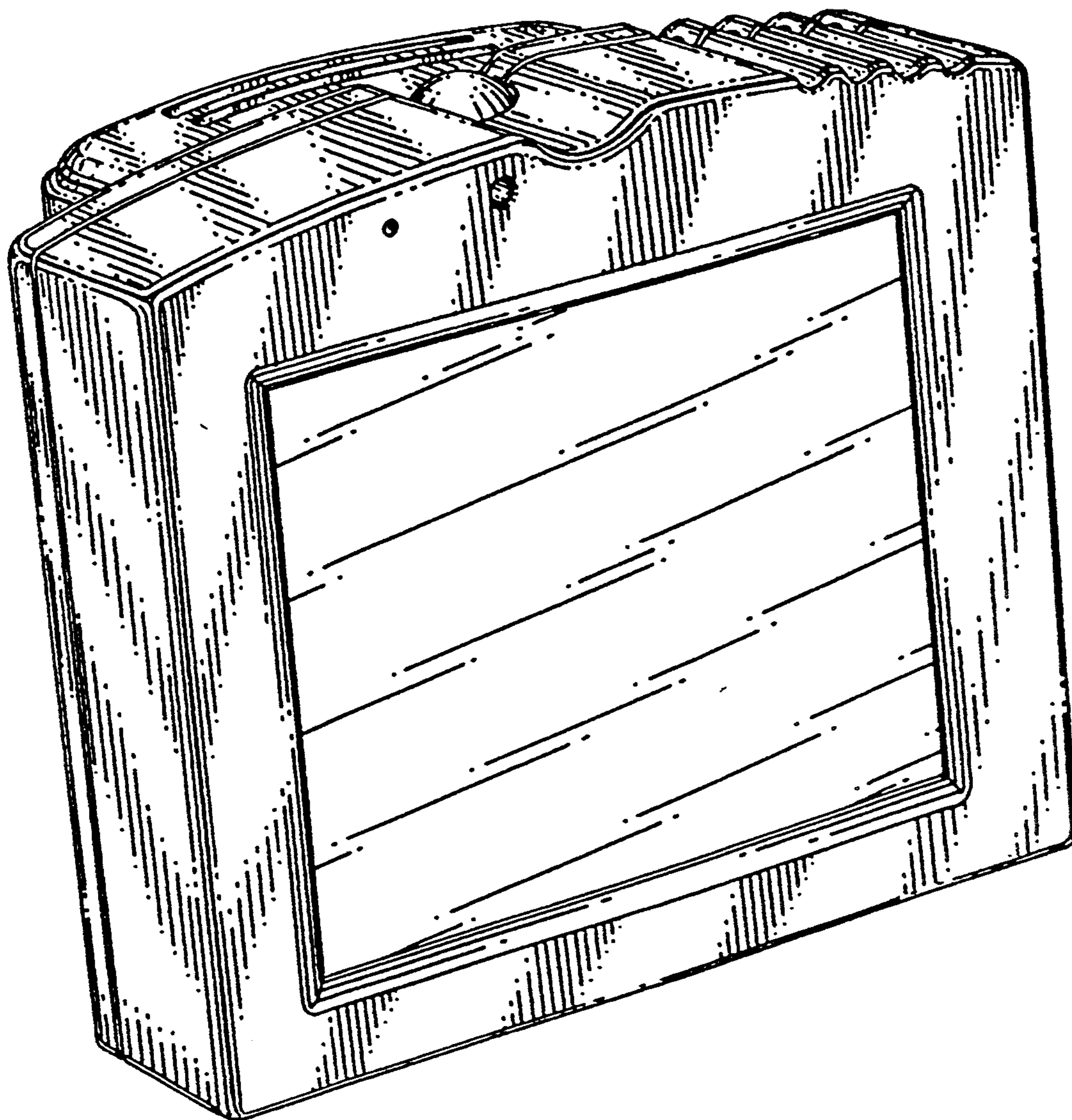


FIG 1

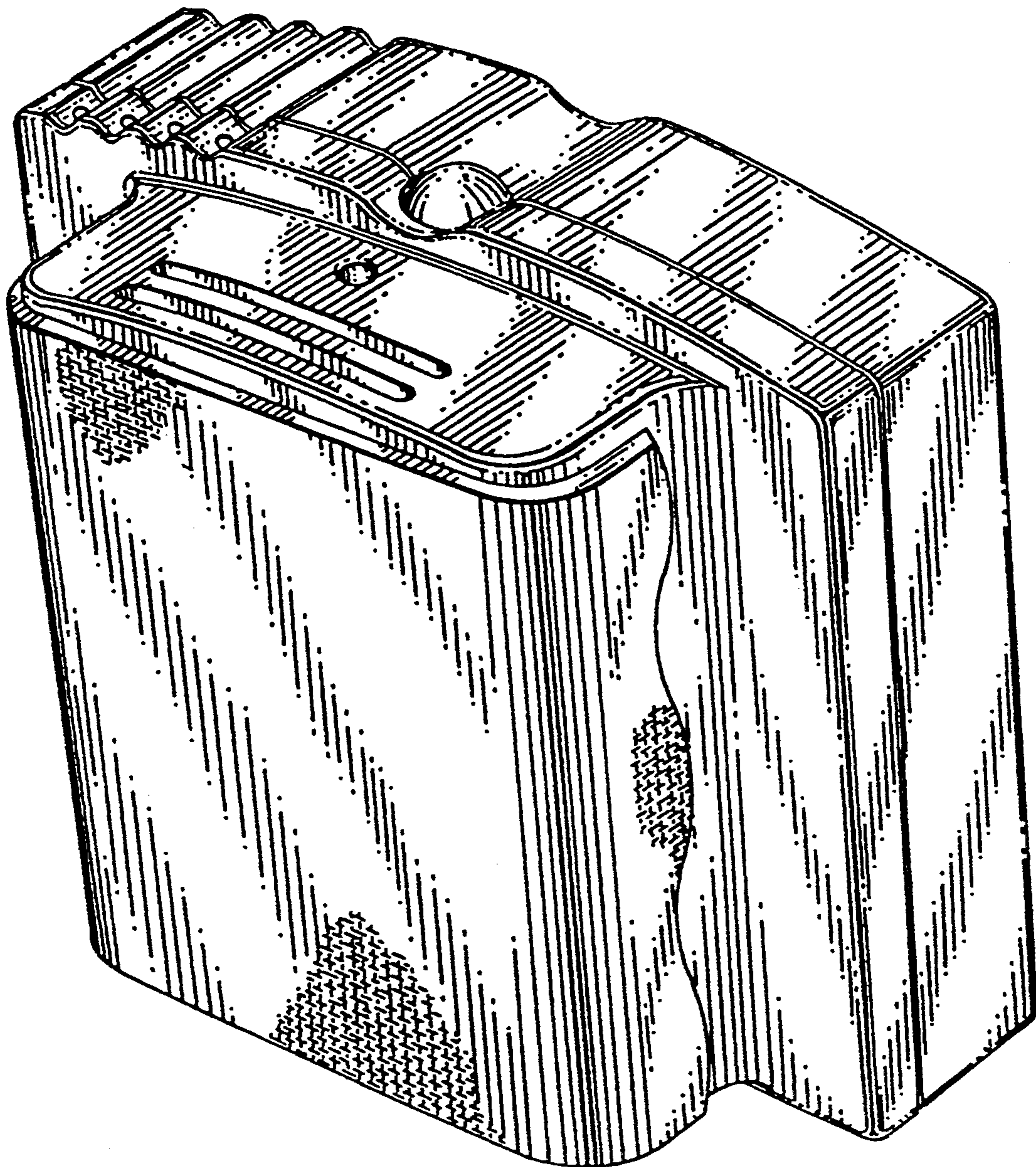


FIG 2

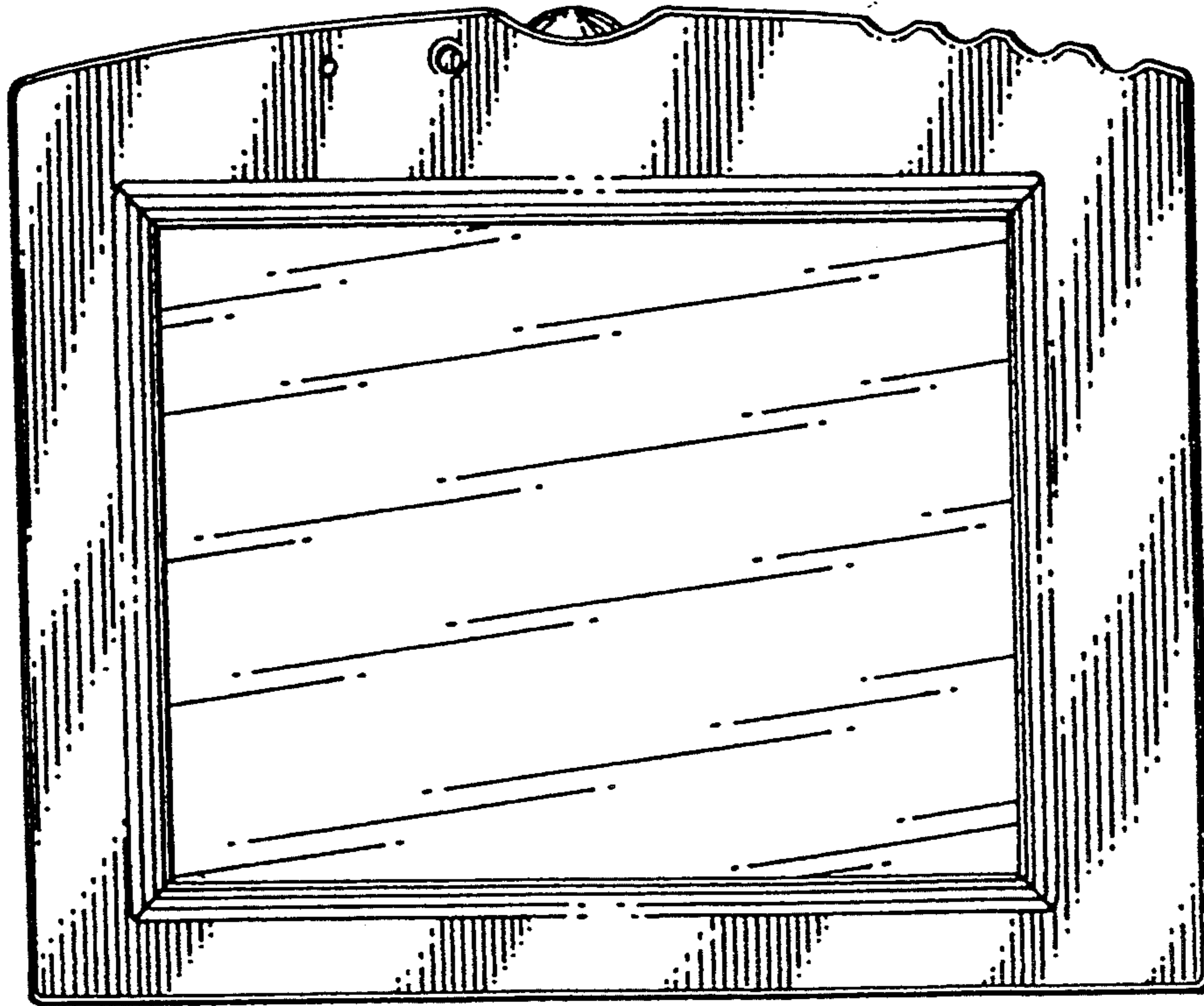


FIG 3

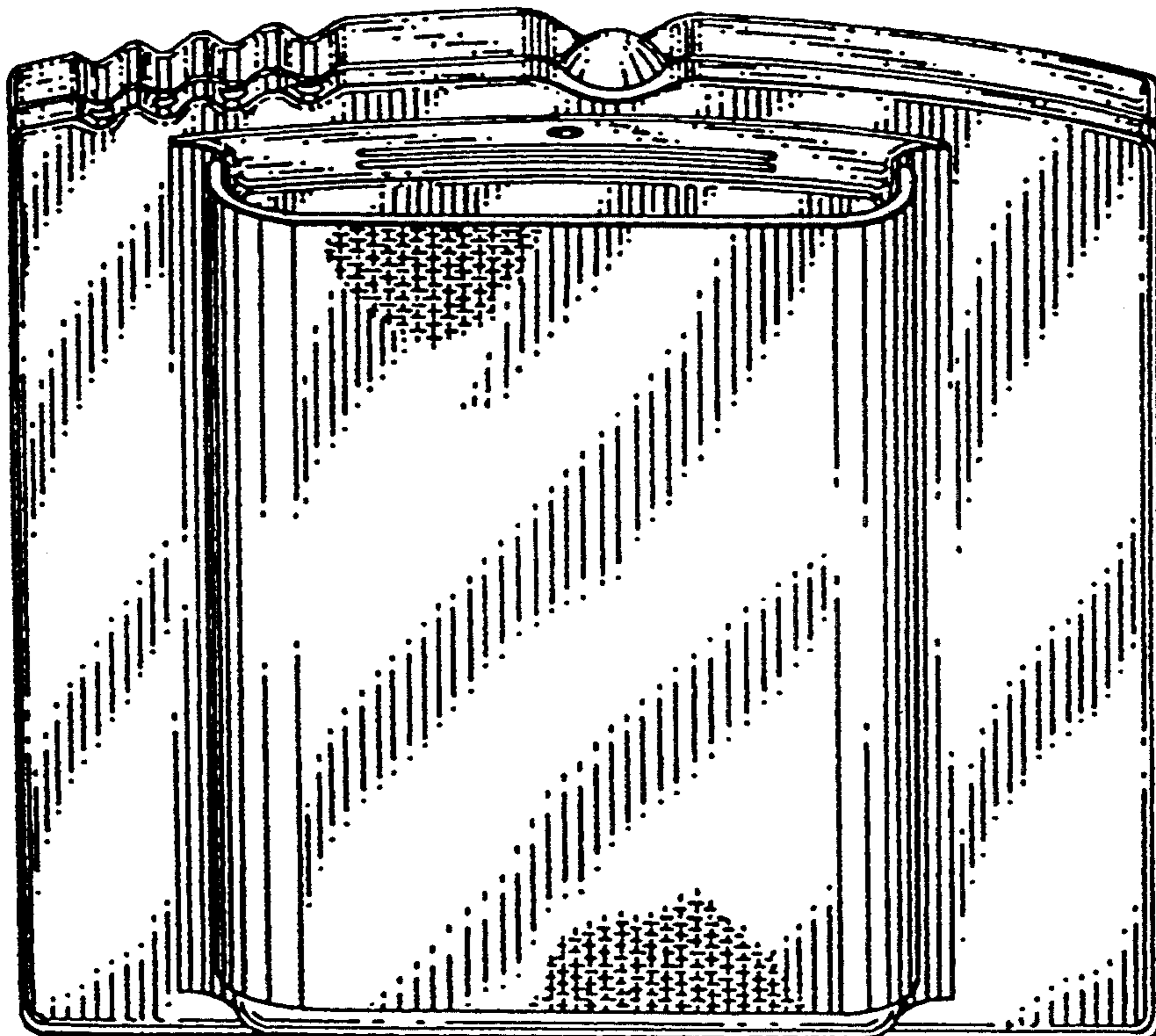


FIG 4

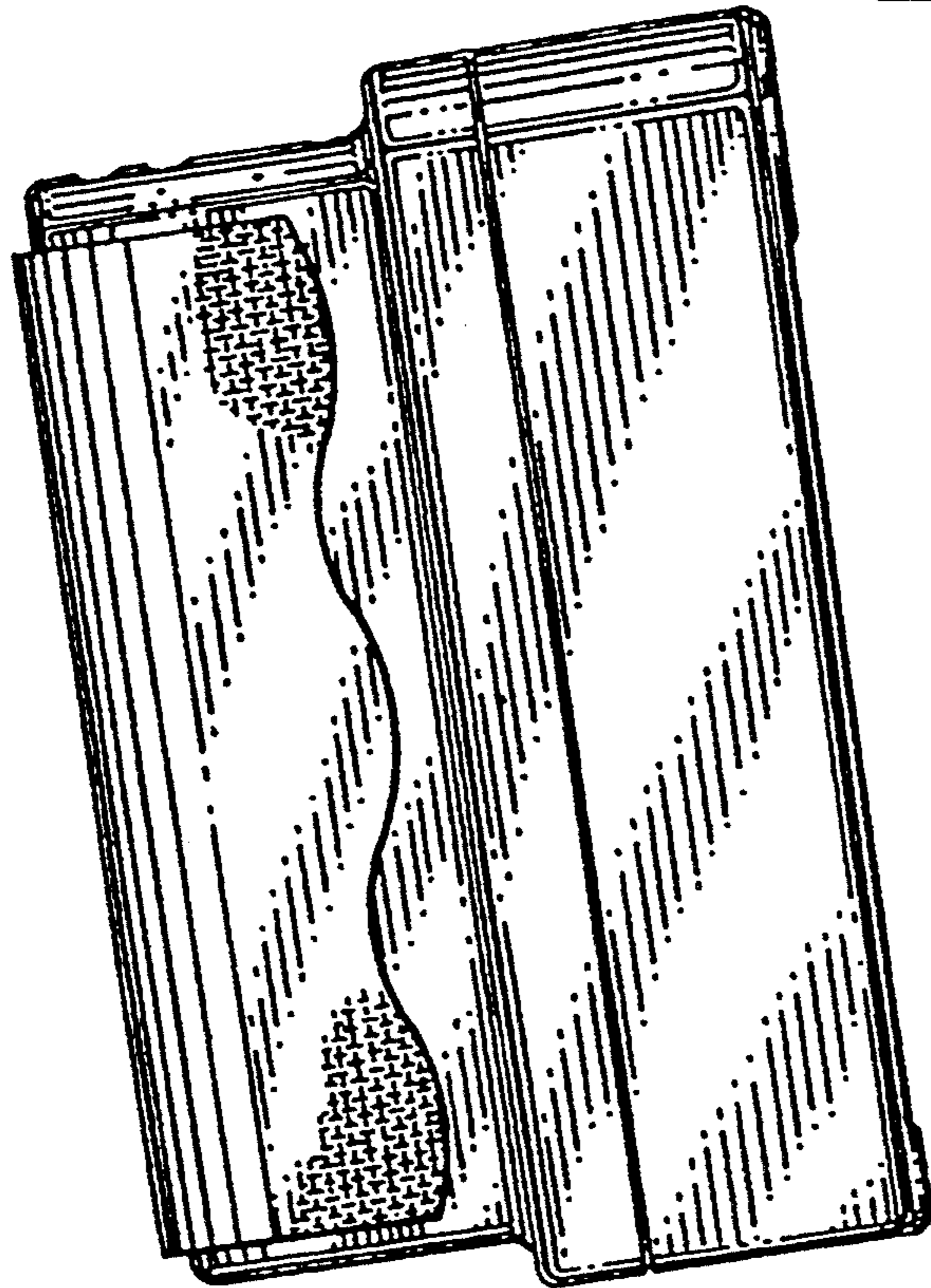


FIG
5

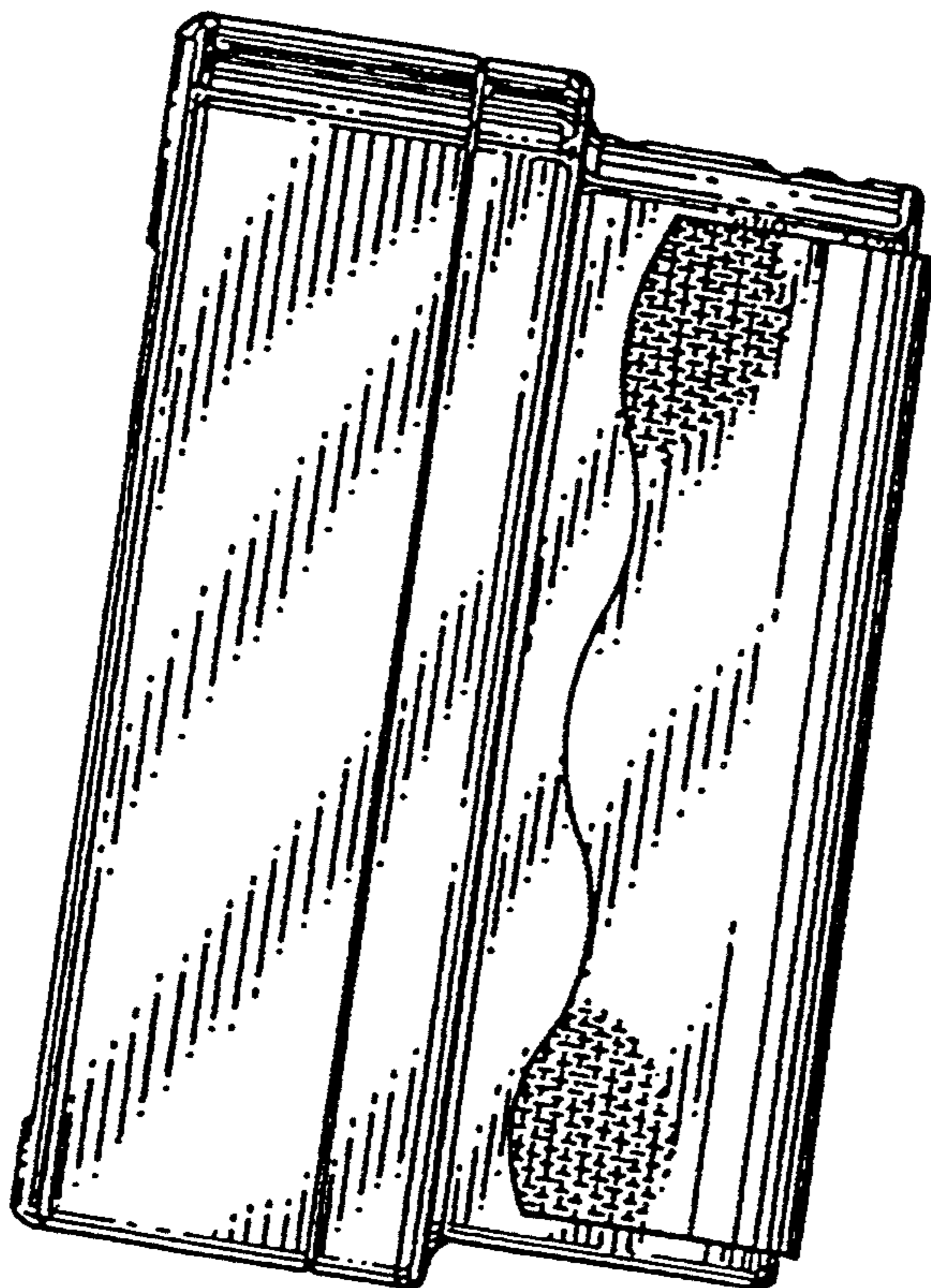


FIG
6

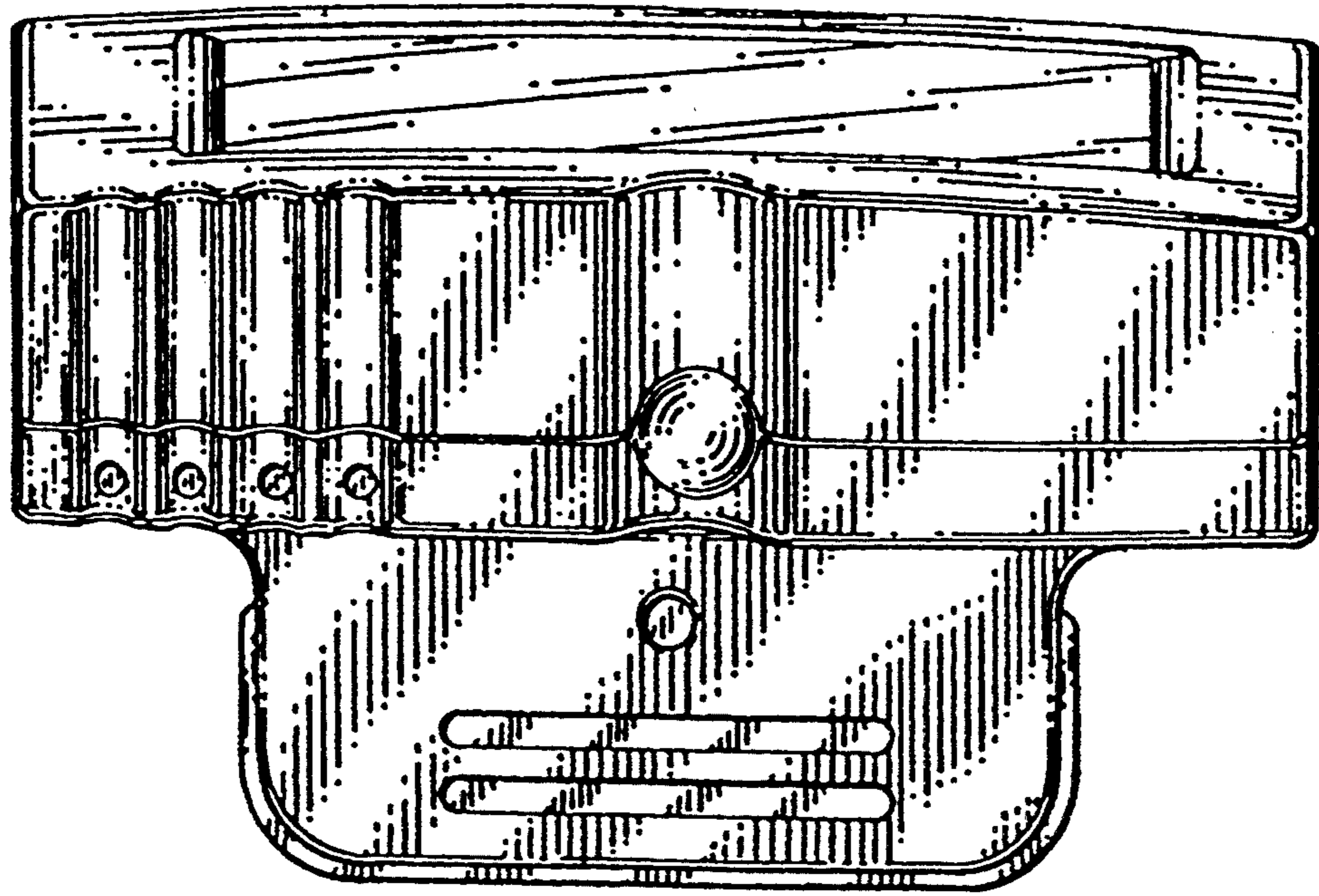


FIG 7

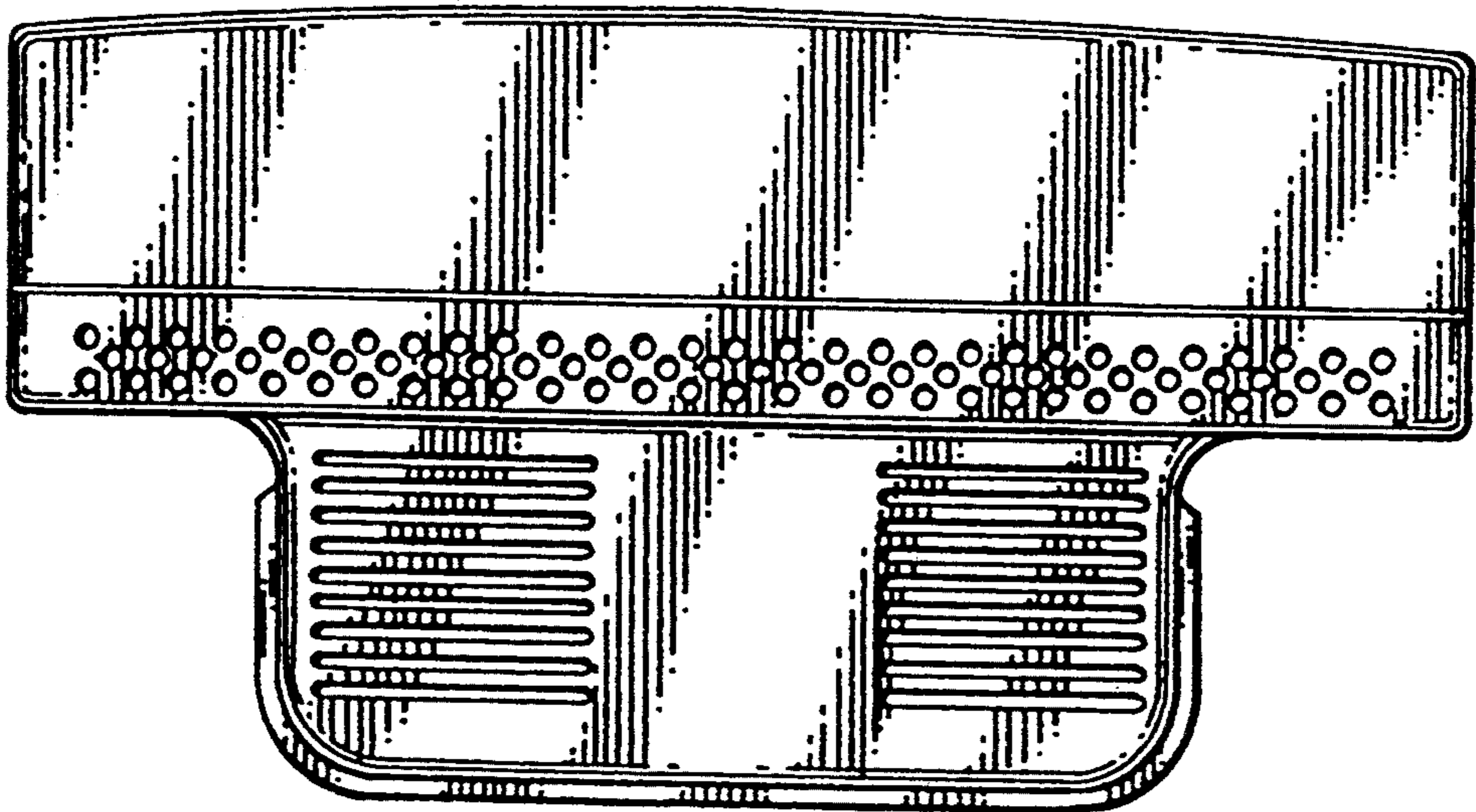


FIG 8