



US00D361753S

United States Patent [19]

[11] Patent Number: **Des. 361,753**

Alkelai

[45] Date of Patent: **** Aug. 29, 1995**

[54] **CARRIER FOR PRINTED CIRCUITS**

[75] Inventor: **Mazal Alkelai, Tel-Aviv, Israel**

[73] Assignee: **Lasroc Ltd., Rishon Lezion, Israel**

[**] Term: **14 Years**

[21] Appl. No.: **20,605**

[22] Filed: **Mar. 29, 1994**

[30] **Foreign Application Priority Data**

Sep. 29, 1993 [IL] Israel 21434

[52] U.S. Cl. **D13/182**

[58] Field of Search D13/182; D3/310, 313;
206/328, 449, 454; 211/41, 1.57; 220/533;
312/330.1; 361/769, 797

[56] **References Cited**

U.S. PATENT DOCUMENTS

3,949,891 4/1976 Butler et al. 206/334 X

4,232,356	11/1980	Saunders et al.	361/797
4,261,465	4/1981	Thomas	D3/313 X
4,426,675	1/1984	Robinson et al.	361/752 X
4,527,222	7/1985	Swingley, Jr.	361/797
4,746,015	5/1988	Kaucic	206/334

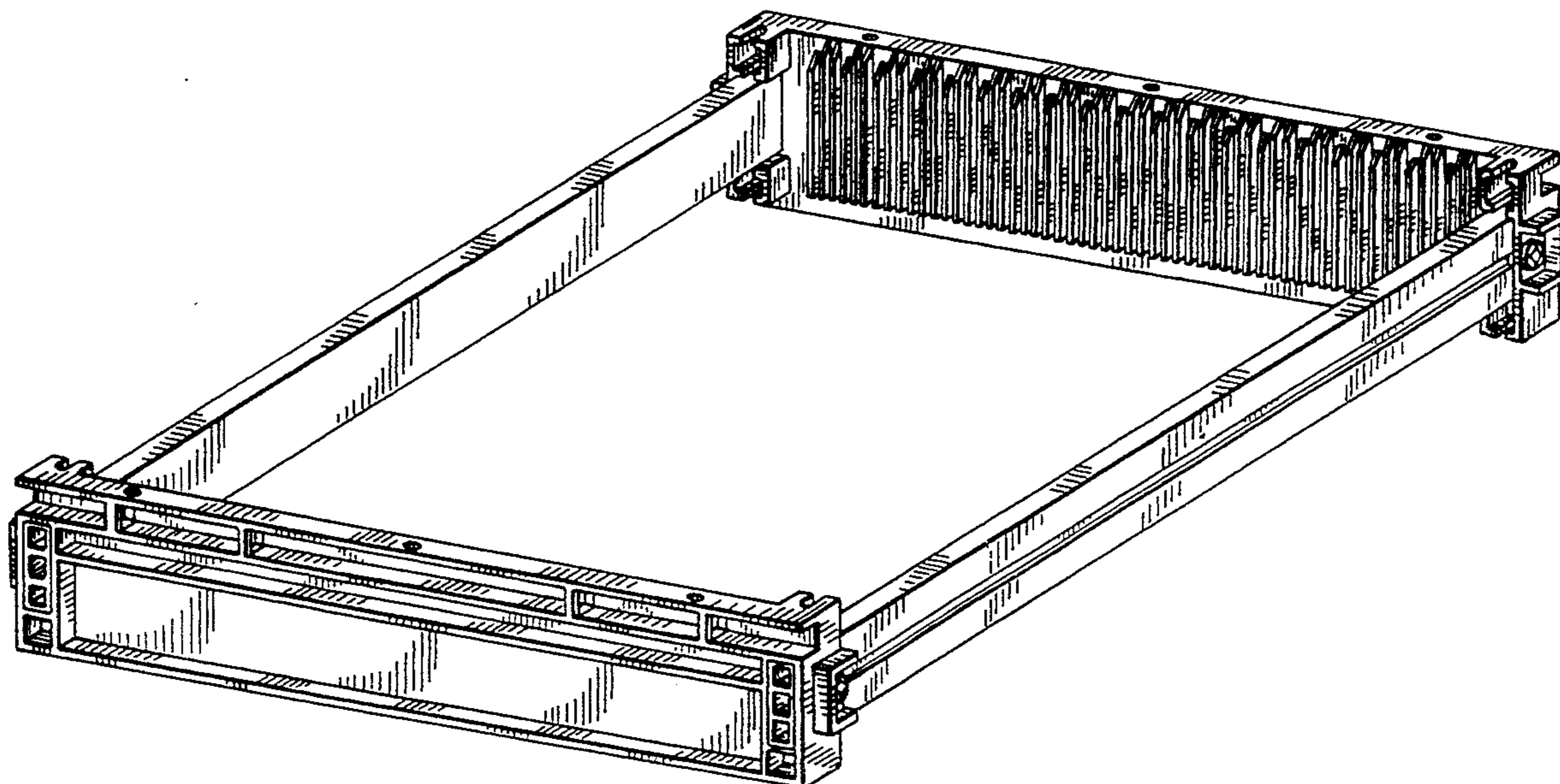
Primary Examiner—Joel Sincavage
Attorney, Agent, or Firm—Ladas & Parry

[57] **CLAIM**

The ornamental design for a carrier for printed circuits, as shown and described.

DESCRIPTION

FIG. 1 is a top/front/right side perspective view of the design. The inside surface of the front panel has the same appearance as the inside surface of the rear panel; FIG. 2 is a top view of the design; FIG. 3 is a bottom view of the design; FIG. 4 is a left side view of the design; and, FIG. 5 is a front/rear view of the design.



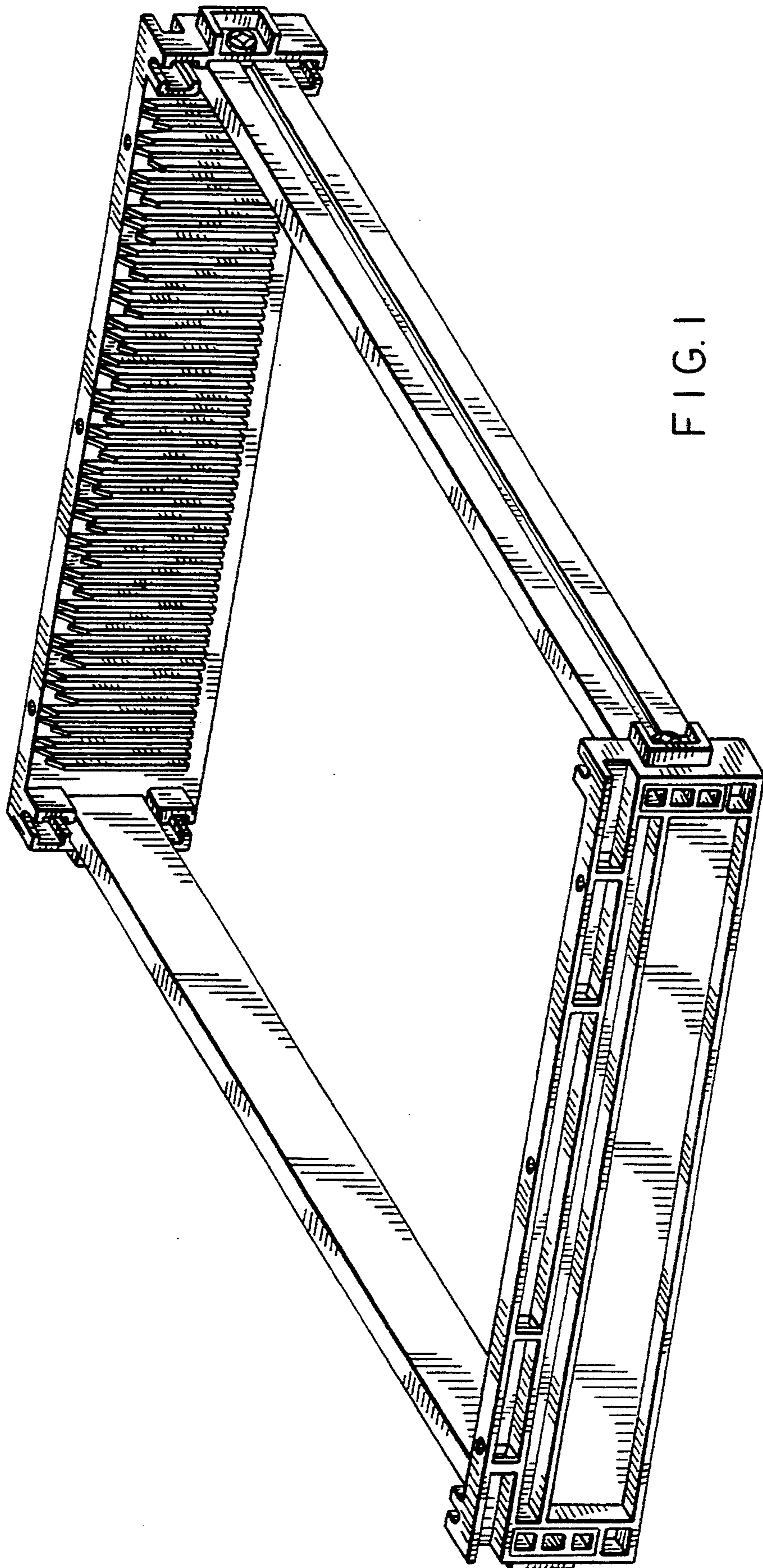


FIG. 1

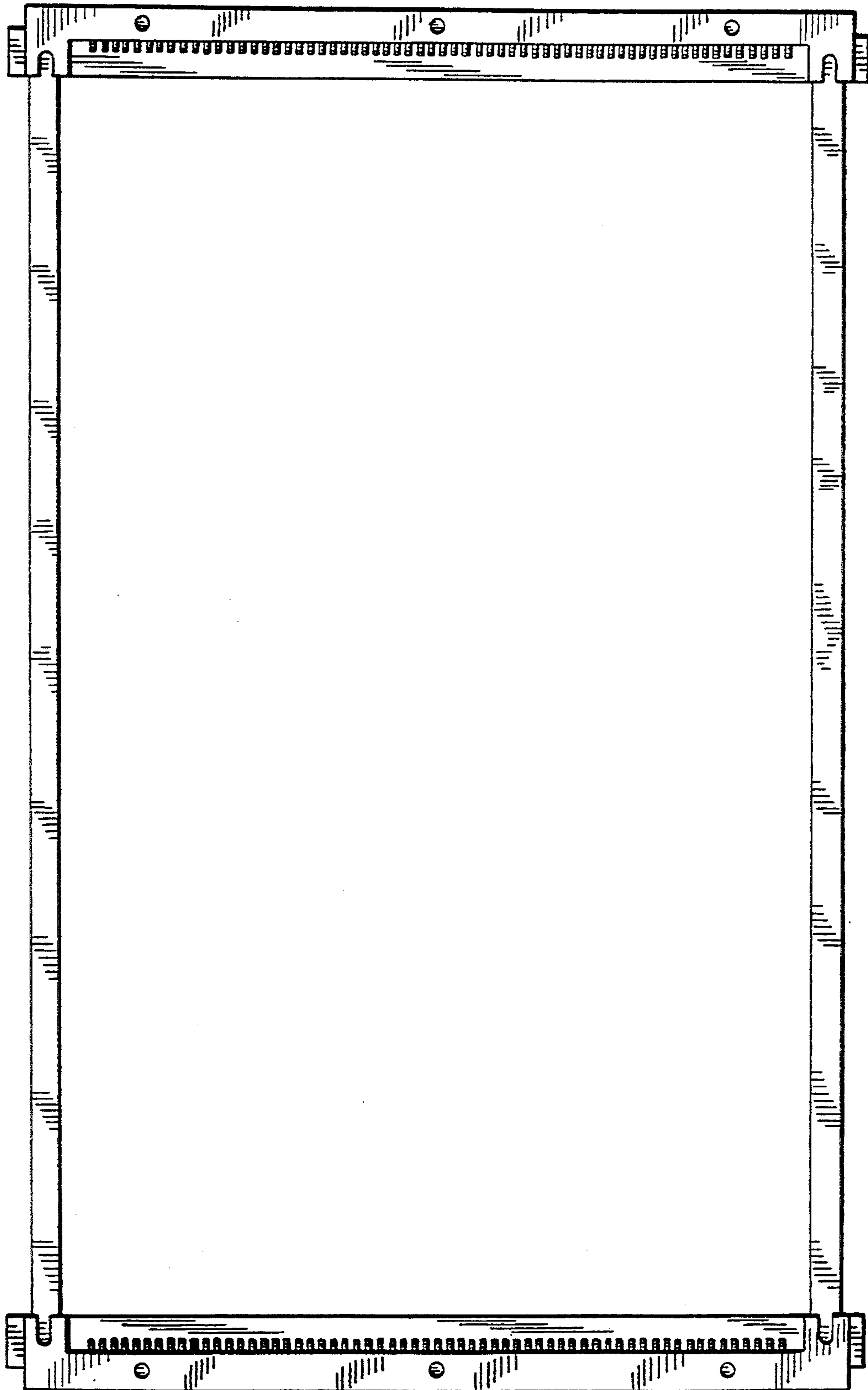


FIG.2

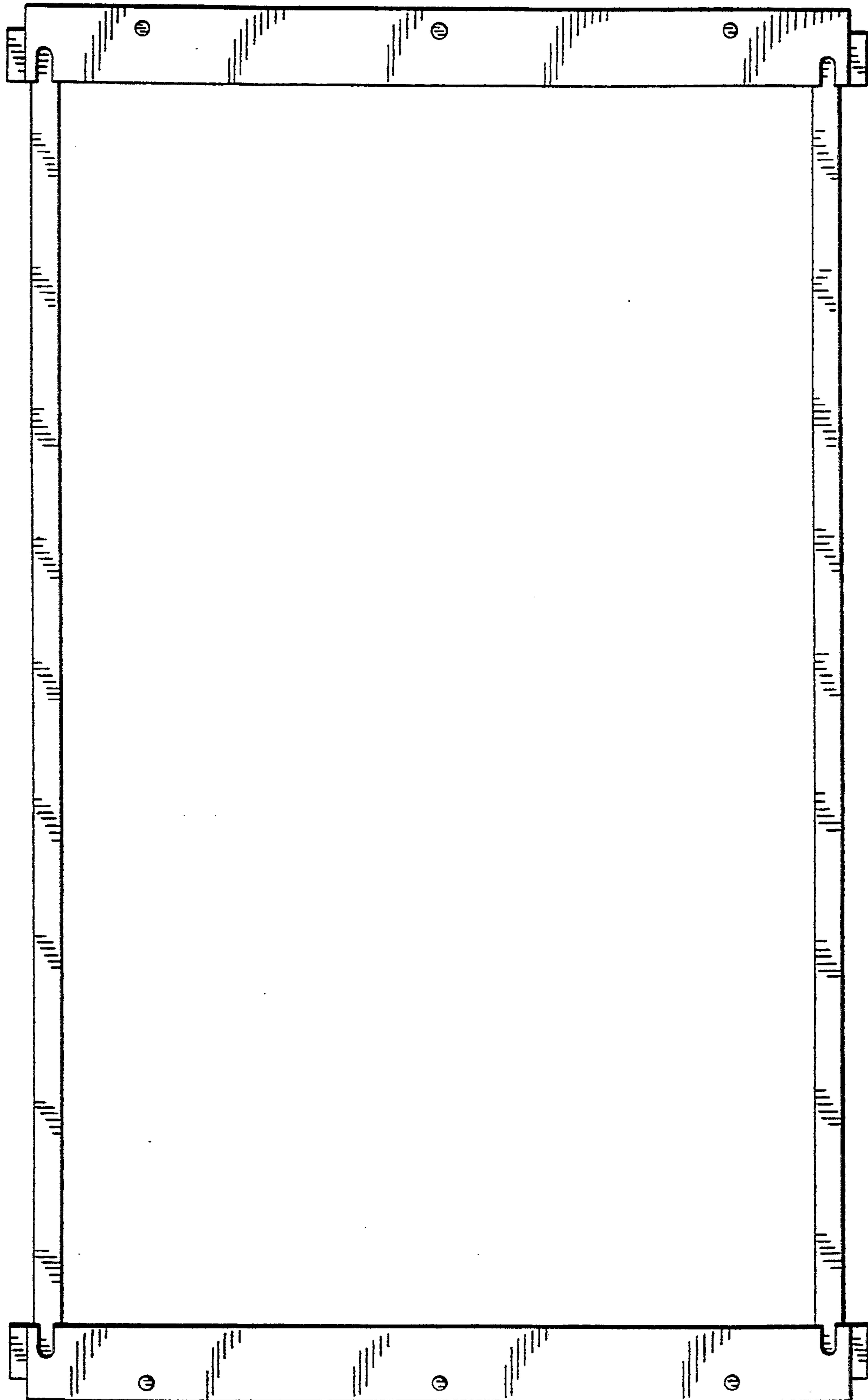


FIG.3

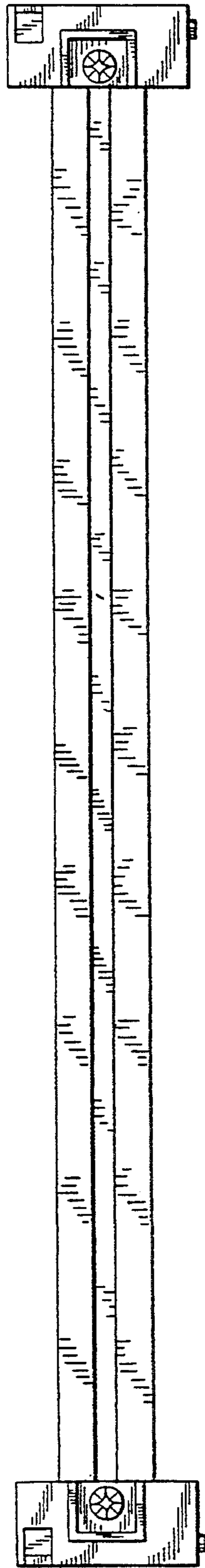


FIG. 4

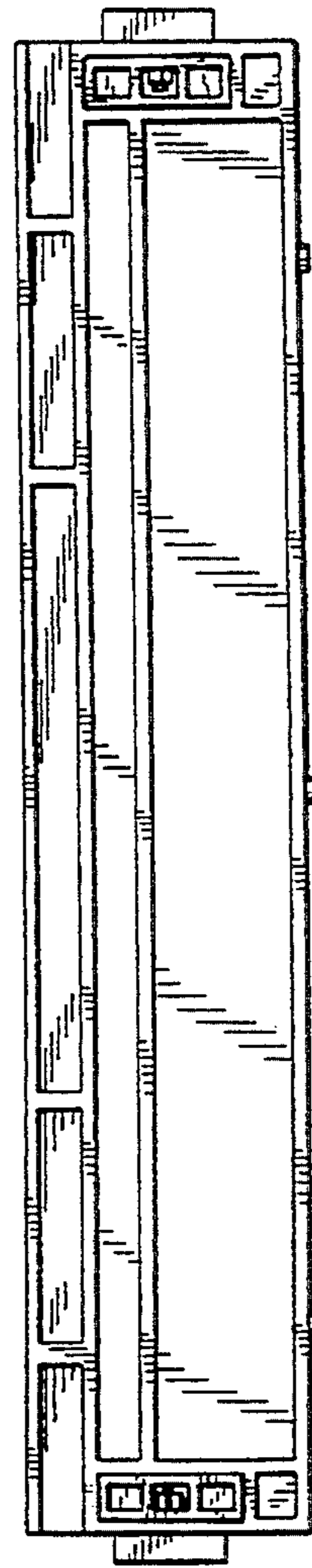


FIG. 5