



US00D361751S

**United States Patent** [19]  
**Geis**

[11] **Patent Number: Des. 361,751**

[45] **Date of Patent: \*\* Aug. 29, 1995**

[54] **STRAIN RELIEF FOR ELECTRICAL CONNECTORS**

[75] **Inventor: Mark W. Geis, Carmel, Ind.**

[73] **Assignee: Woods Industries, Inc., Carmel, Ind.**

[\*\*] **Term: 14 Years**

[21] **Appl. No.: 27,717**

[22] **Filed: Aug. 29, 1994**

[52] **U.S. Cl. .... D13/154**

[58] **Field of Search ..... D13/133, 137, 138, 143, D13/146, 147, 154; D8/356; 174/135; 439/449, 474, 483**

[56] **References Cited**

**U.S. PATENT DOCUMENTS**

- D. 210,021 1/1968 Prifogle et al. .... D13/156
- D. 244,297 5/1977 Stropkay ..... D13/138

**OTHER PUBLICATIONS**

Strain reliefs in Raceway Components, Inc. advertisement on p. 44 of *Architectural Record*, Nov. 1989.

*Primary Examiner*—James M. Gandy

*Assistant Examiner*—Joel Sincavage

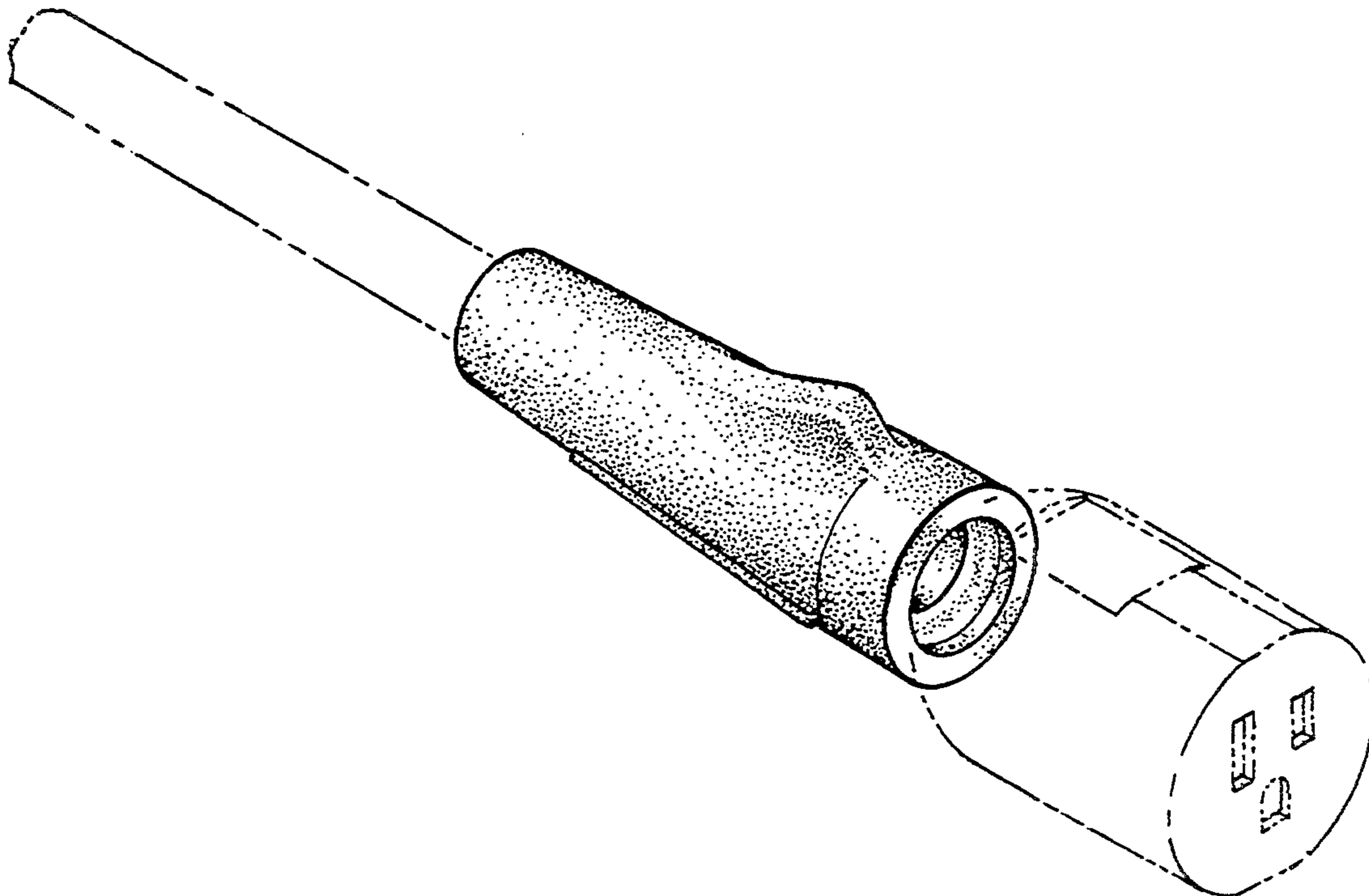
*Attorney, Agent, or Firm*—McAndrews, Held & Malloy, Ltd.

[57] **CLAIM**

The ornamental design for a strain relief for electrical connectors, as shown and described.

**DESCRIPTION**

FIG. 1 is a perspective view of the strain relief for an electrical connector;  
 FIG. 2 is a right side view and mirror image of a left side view of the strain relief of FIG. 1;  
 FIG. 3 is a back end view of the strain relief of FIG. 1;  
 FIG. 4 is a front view of the strain relief of FIG. 1;  
 FIG. 5 is a top view of the strain relief of FIG. 1; and,  
 FIG. 6 is a bottom view of the strain relief of FIG. 1.  
 The broken line showing throughout the figures is included for the purpose of illustrating environmental structure only and forms no part of the claimed design.



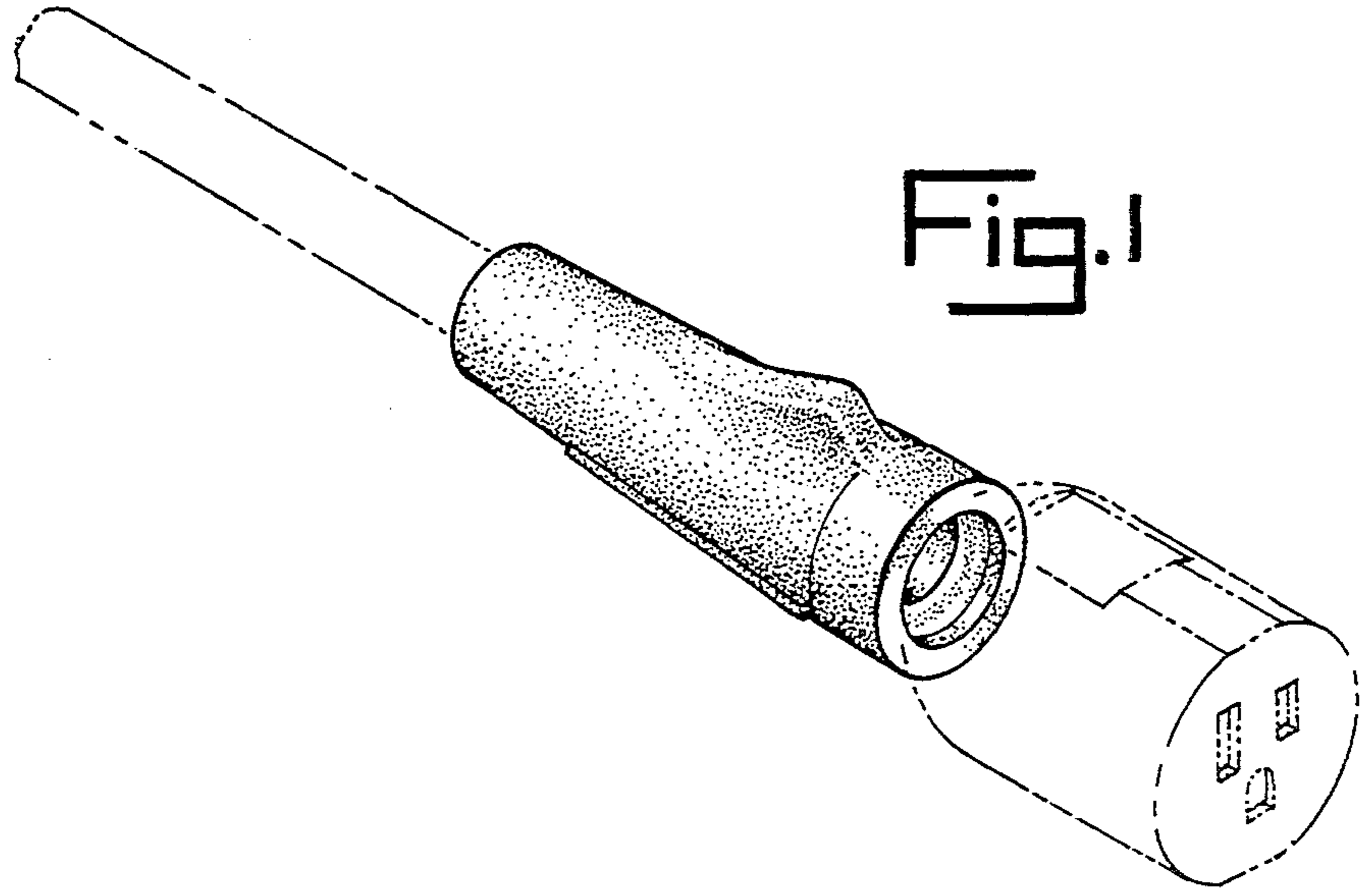


Fig. 3

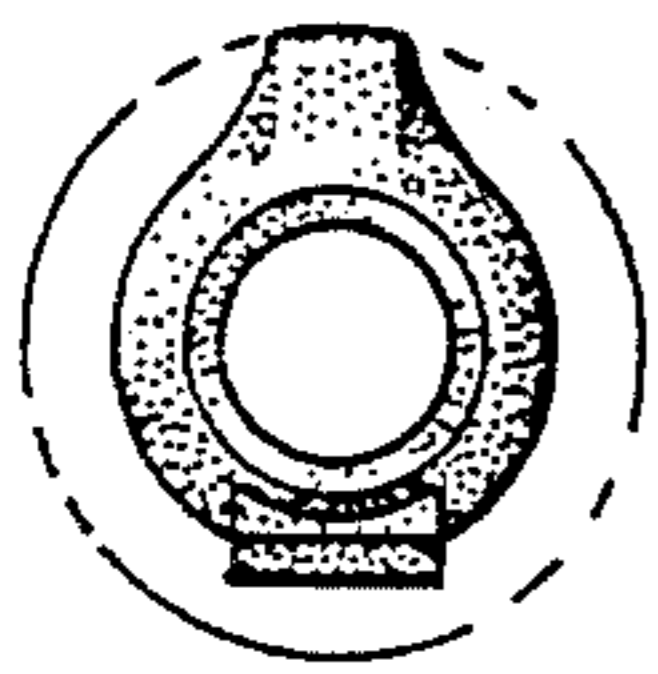


Fig. 2

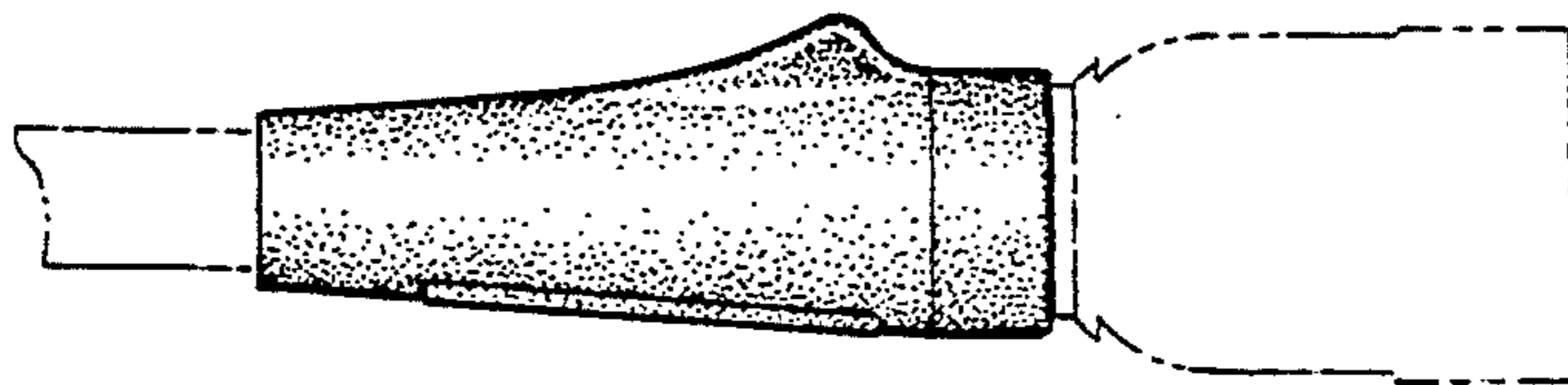


Fig. 4

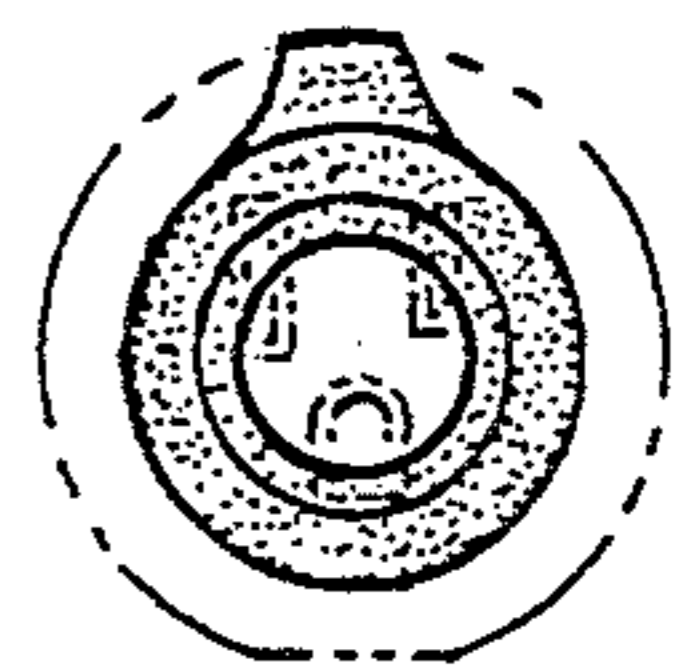


Fig. 5

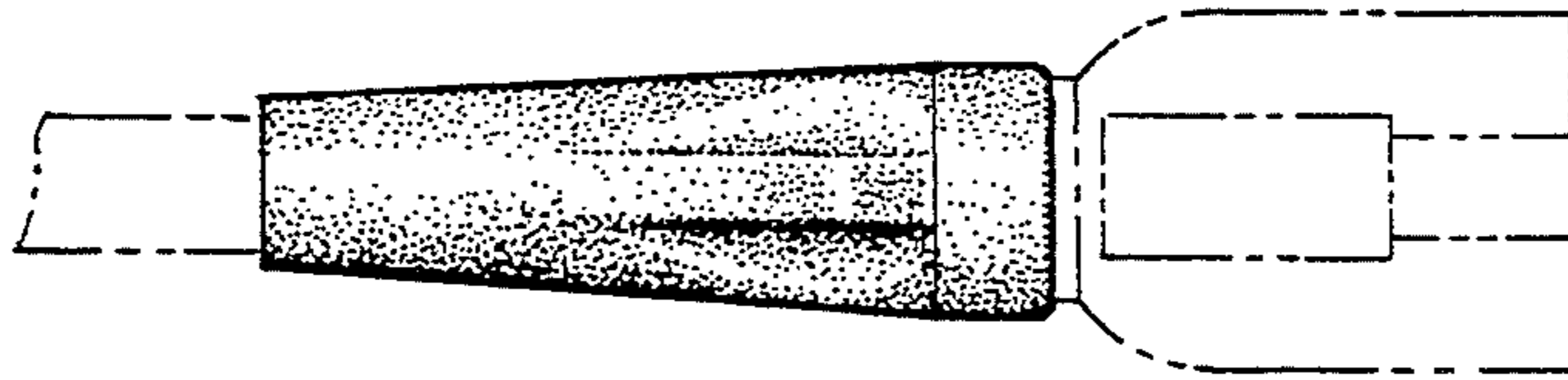


Fig. 6

