



US00D361750S

# United States Patent [19]

[11] Patent Number: **Des. 361,750**

Ansley

[45] Date of Patent: **\*\* Aug. 29, 1995**

[54] **ELECTRICAL CONDUCTOR DISTRIBUTION BLOCK**

4,214,806 7/1980 Kraft ..... 439/723 X  
5,171,169 12/1992 Butcher et al. .... 439/798 X  
5,190,485 3/1993 Ransdell ..... D13/151 X

[75] Inventor: **Micah S. Ansley**, Belleair Beach, Fla.

[73] Assignee: **AAMP of Florida, Inc.**, Clearwater, Fla.

*Primary Examiner*—Joel Sincavage  
*Attorney, Agent, or Firm*—James E. Larson; Herbert W. Larson

[\*\*] Term: **14 Years**

[57] **CLAIM**

[21] Appl. No.: **29,087**

The ornamental design for an electrical conductor distribution block, as shown and described.

[22] Filed: **Sep. 29, 1994**

[52] U.S. Cl. .... **D13/151**

**DESCRIPTION**

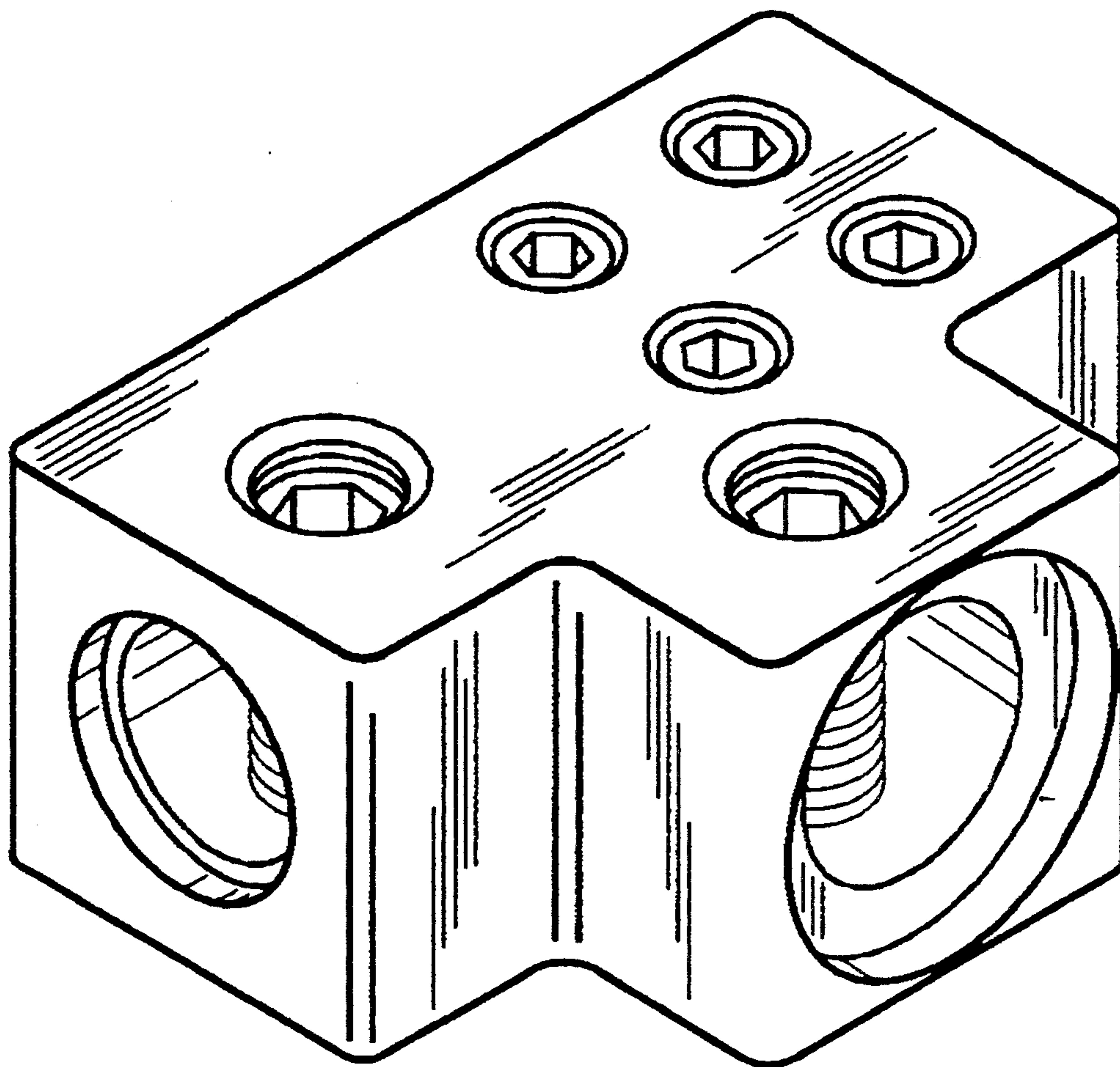
[58] Field of Search ..... D13/146, 149, 151;  
439/723, 798, 810, 814

FIG. 1 is a perspective view of an electrical conductor distribution block of my design;  
FIG. 2 is a front elevational view thereof;  
FIG. 3 is a rear elevational view thereof;  
FIG. 4 is a left side elevational view thereof;  
FIG. 5 is a right side elevational view thereof;  
FIG. 6 is a top plan view thereof; and,  
FIG. 7 is a bottom plan view thereof.

[56] **References Cited**

**U.S. PATENT DOCUMENTS**

D. 309,664 7/1990 McGane ..... D13/151 X  
D. 334,914 4/1993 Walter et al. .... D13/147 X  
3,732,530 5/1973 Linn et al. .... 439/798



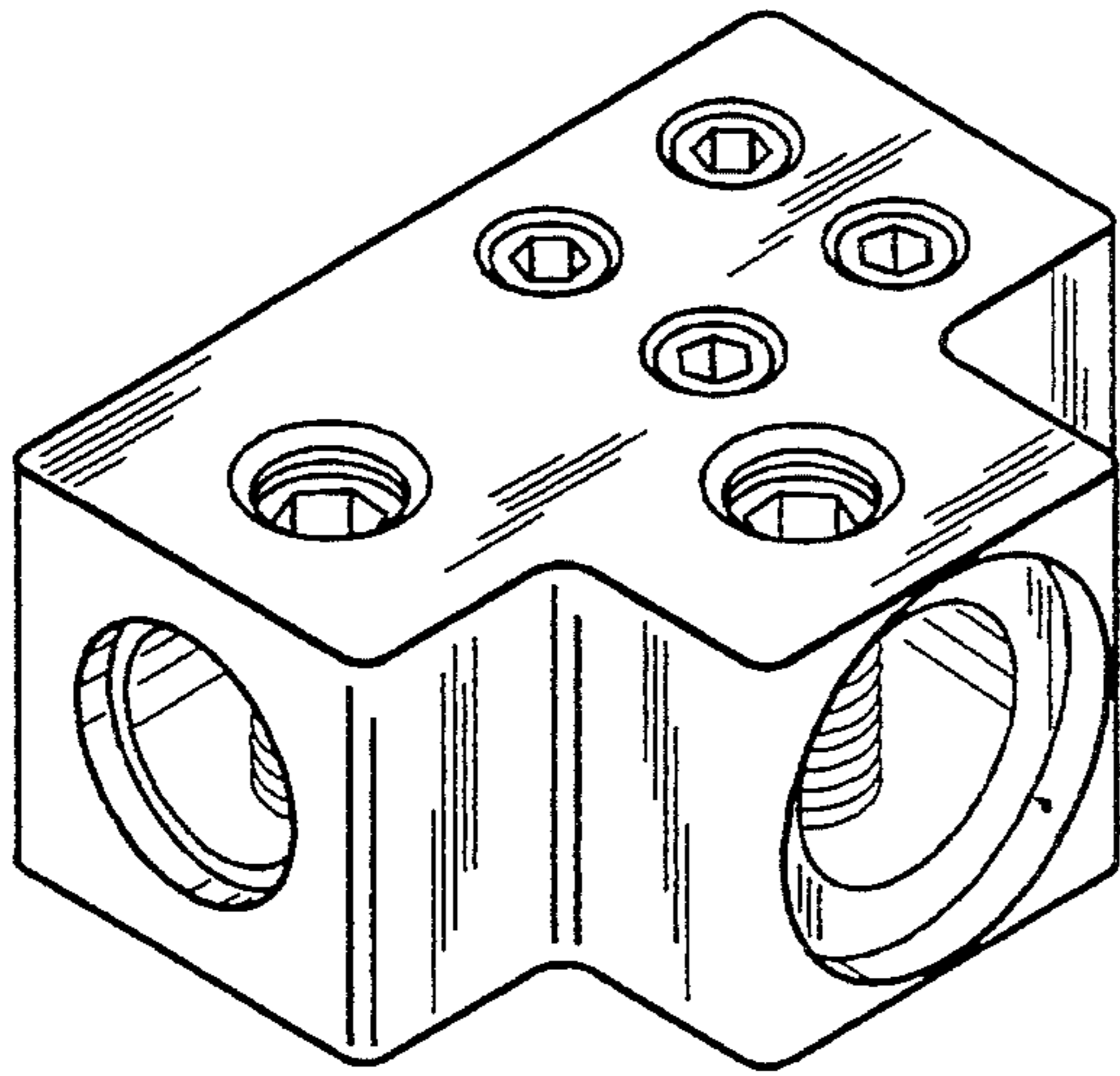


Fig. 1

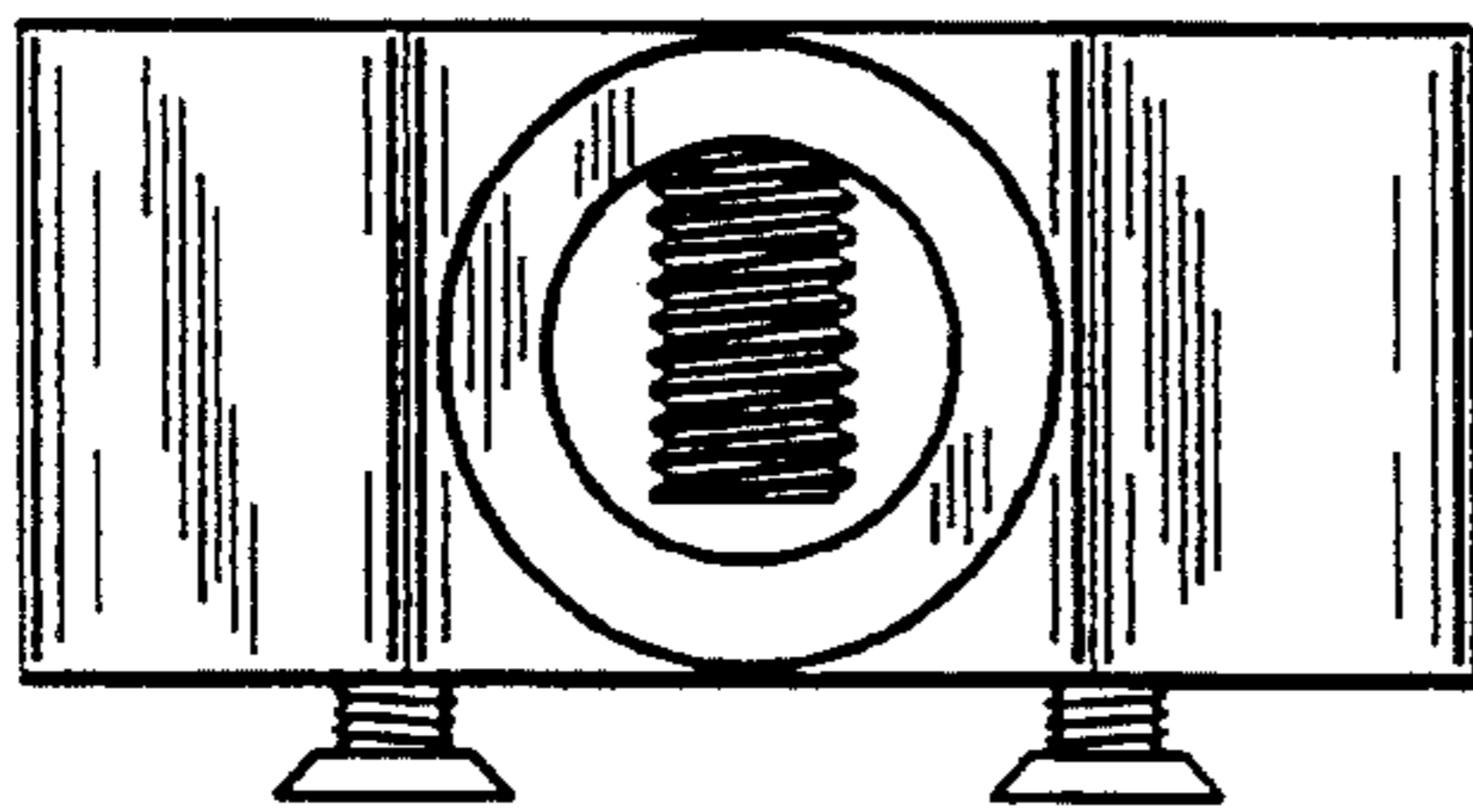


Fig. 2

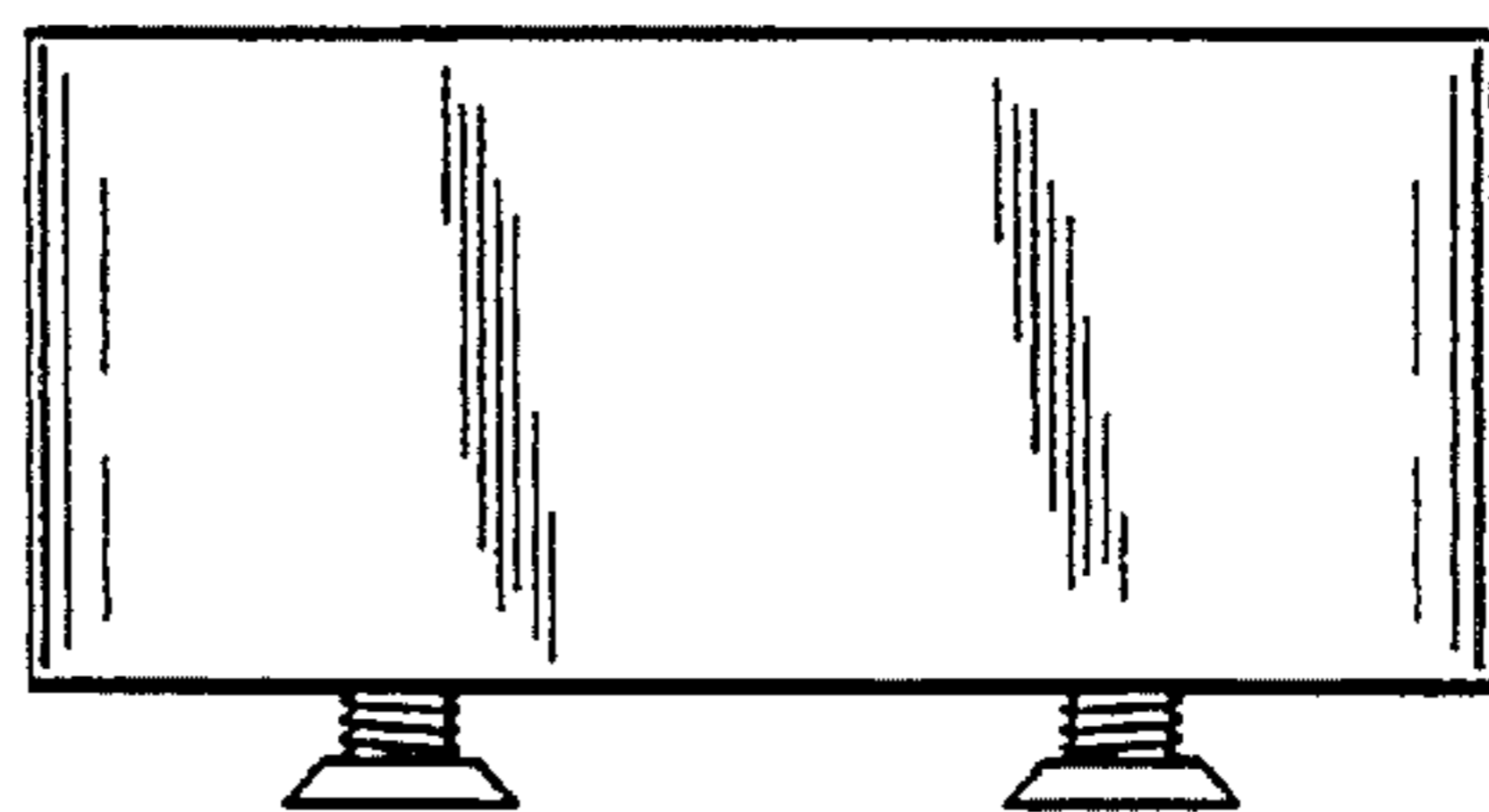


Fig. 3

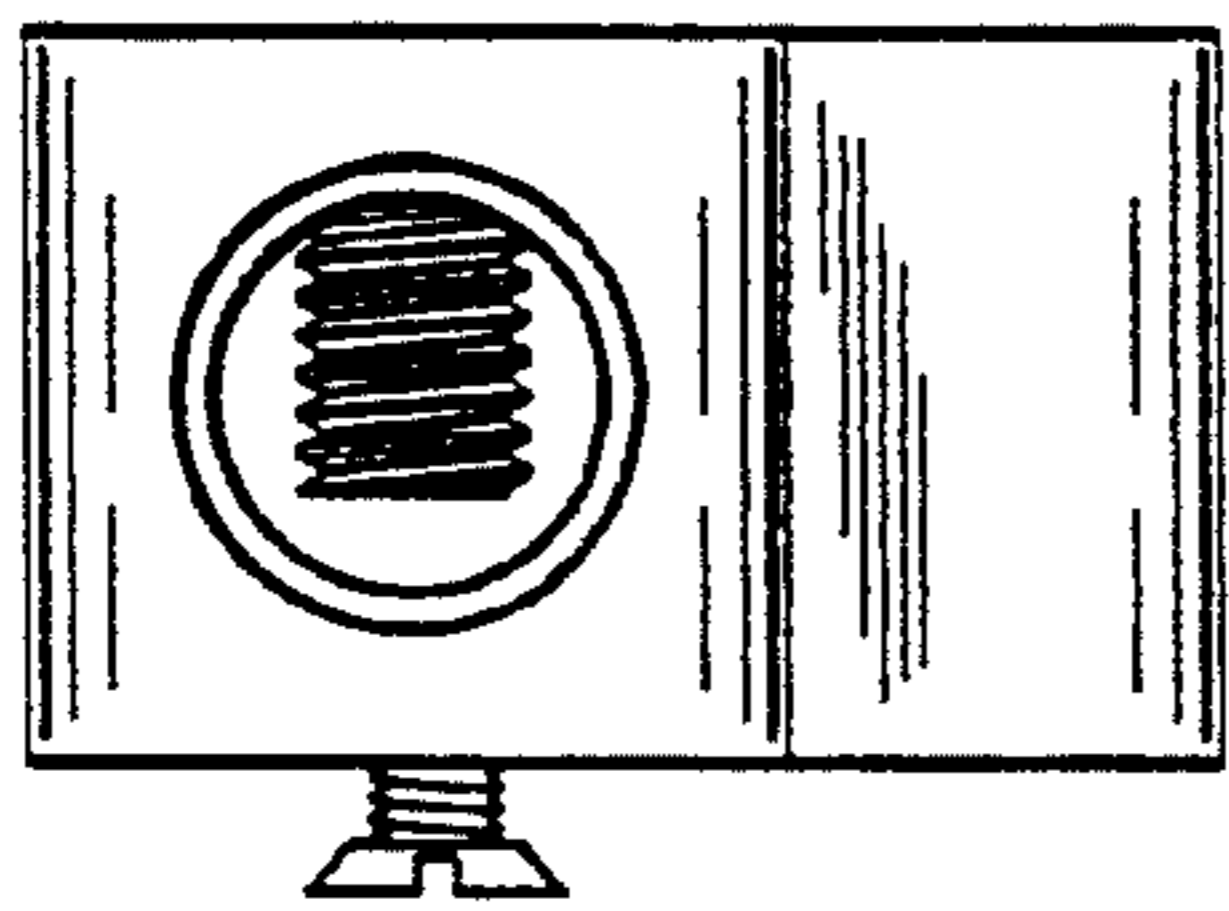


Fig. 4

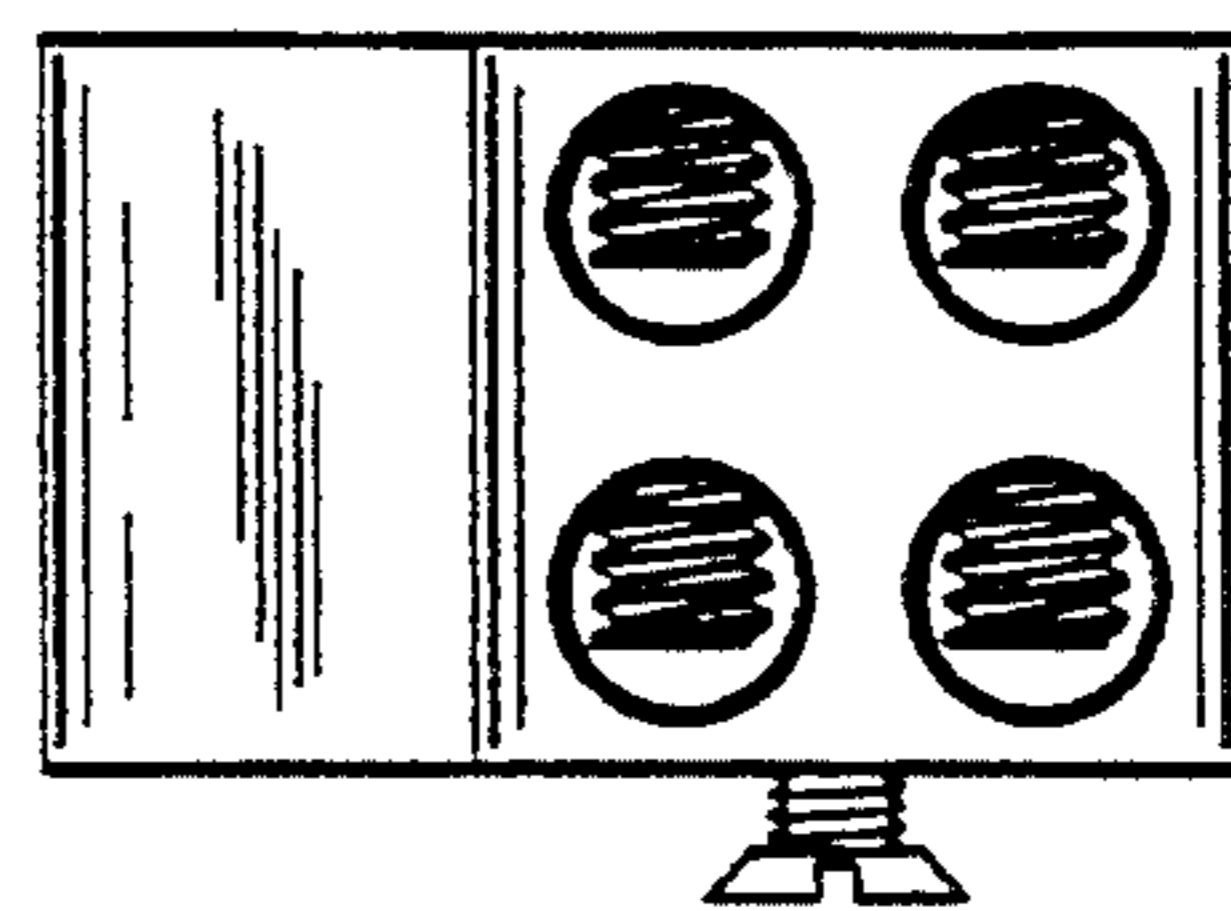


Fig. 5

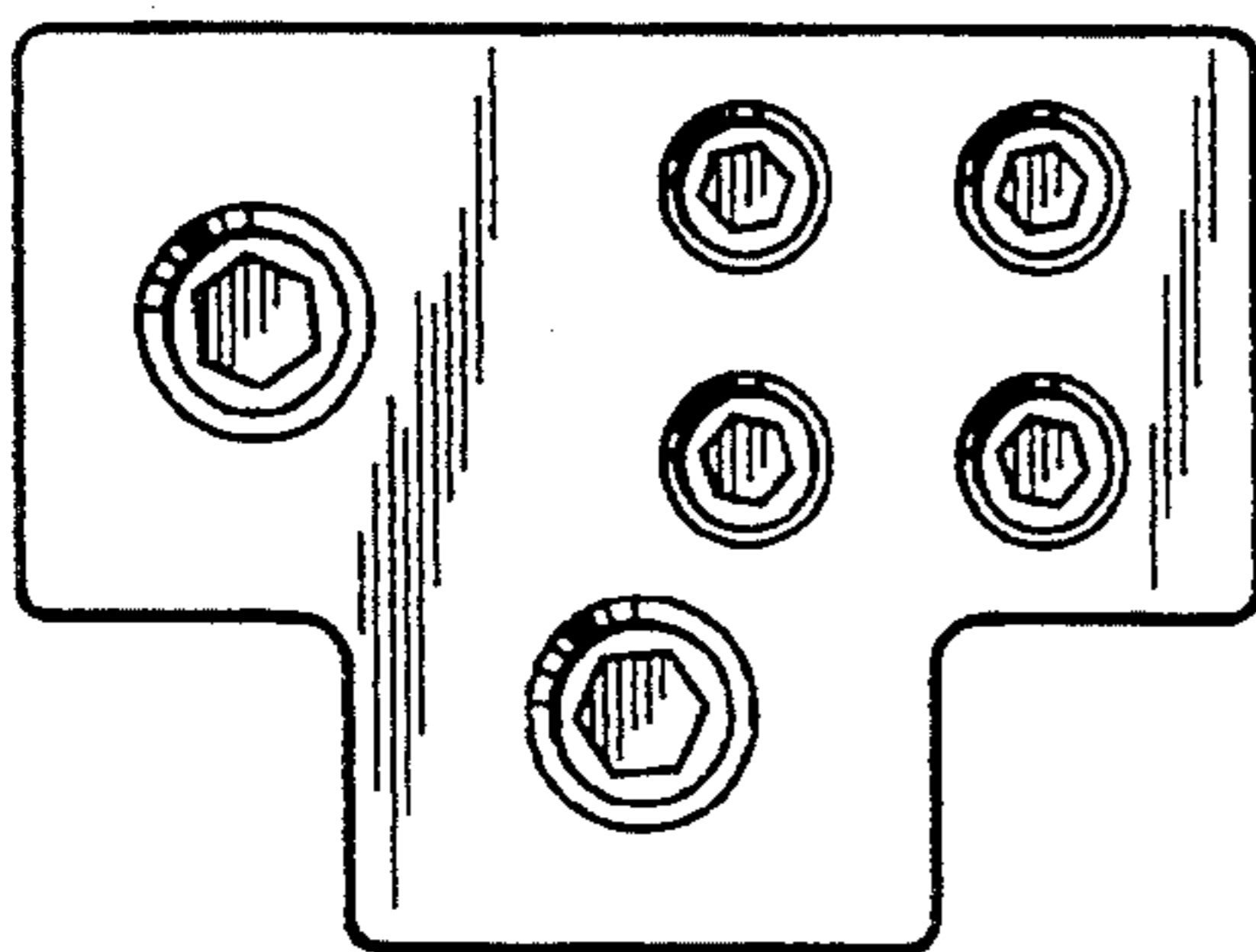


Fig. 6

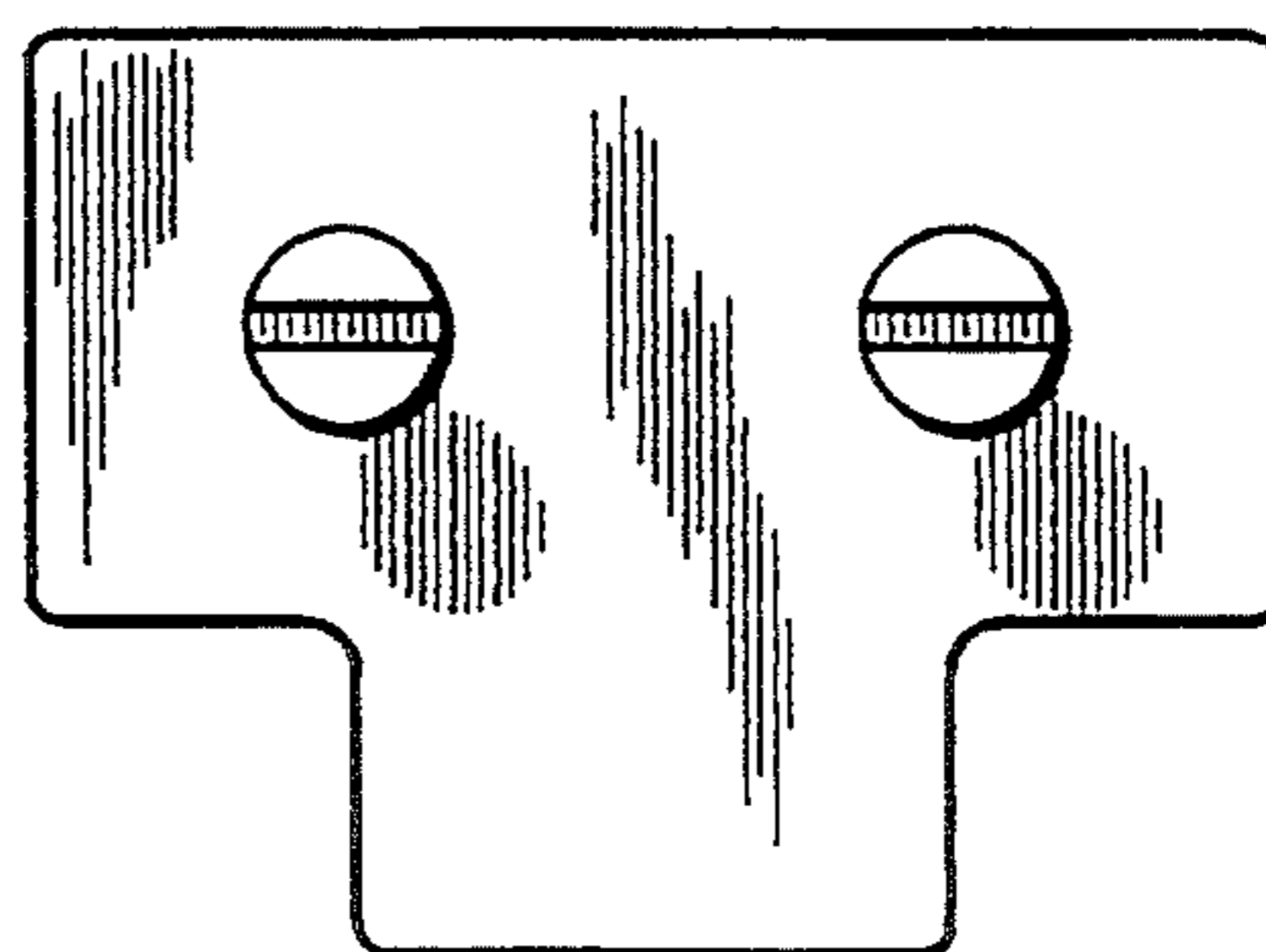


Fig. 7