



US00D361745S

United States Patent [19]

Geroux et al.

[11] Patent Number: Des. 361,745

[45] Date of Patent: ** Aug. 29, 1995

[54] SET OF TERMINALS FOR BATTERY BOOSTER CABLES

4,759,728	7/1988	Cobb	439/503
4,897,044	1/1990	Rood	439/504
4,938,712	7/1990	Black	439/504 X

[76] Inventors: Robert M. Geroux; Catherine Y. O'Hara, both of 215 Milvan Drive, Weston, ON, CN M9L 2A3, Canada

Primary Examiner—Wallace R. Burke
Assistant Examiner—Joel Sincavage
Attorney, Agent, or Firm—Terry M. Gernstein

[**] Term: 14 Years

[21] Appl. No.: 6,879

[57] CLAIM

[22] Filed: Apr. 9, 1993

The ornamental design for a set of terminals for battery booster cables, as shown and described.

[52] U.S. Cl. D13/120

DESCRIPTION

[58] Field of Search D13/120, 148, 149, 156; 439/503, 504, 505, 522, 523, 725, 750, 885

FIG. 1 is a front, top and side perspective view of a set of terminals for battery booster cables showing my new design with the insulator sleeve separated from the negative terminal;

[56] References Cited

U.S. PATENT DOCUMENTS

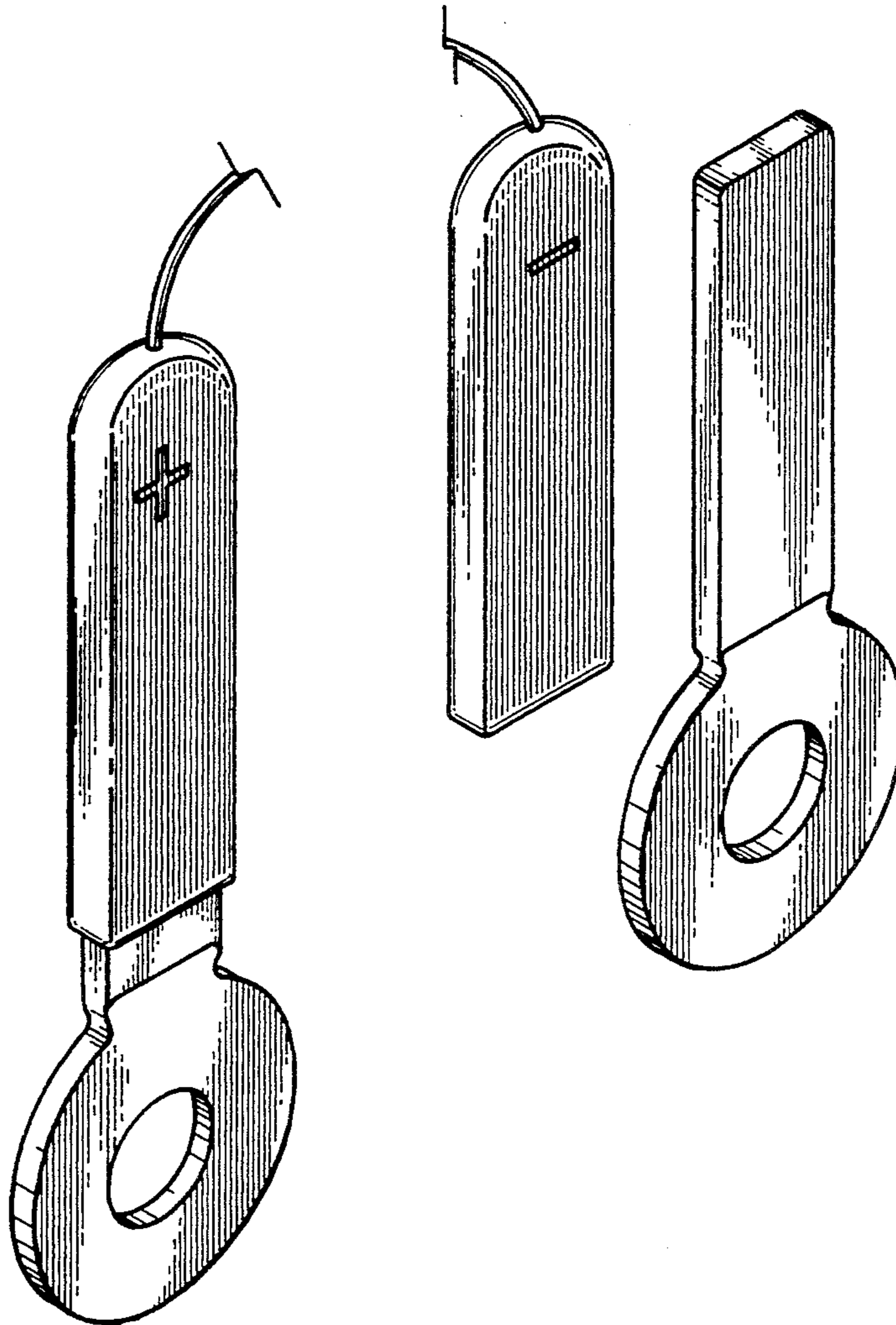
D. 248,852	8/1978	Ice-ton	D13/148
D. 261,301	8/1987	Smothers	D13/120
1,666,991	4/1928	Cohen	439/725 X
2,160,422	5/1939	Shipman	439/522
2,369,735	2/1945	Heit	439/750 X
2,740,101	3/1956	Betts	D13/148 X
4,255,012	3/1981	Parent et al.	439/523

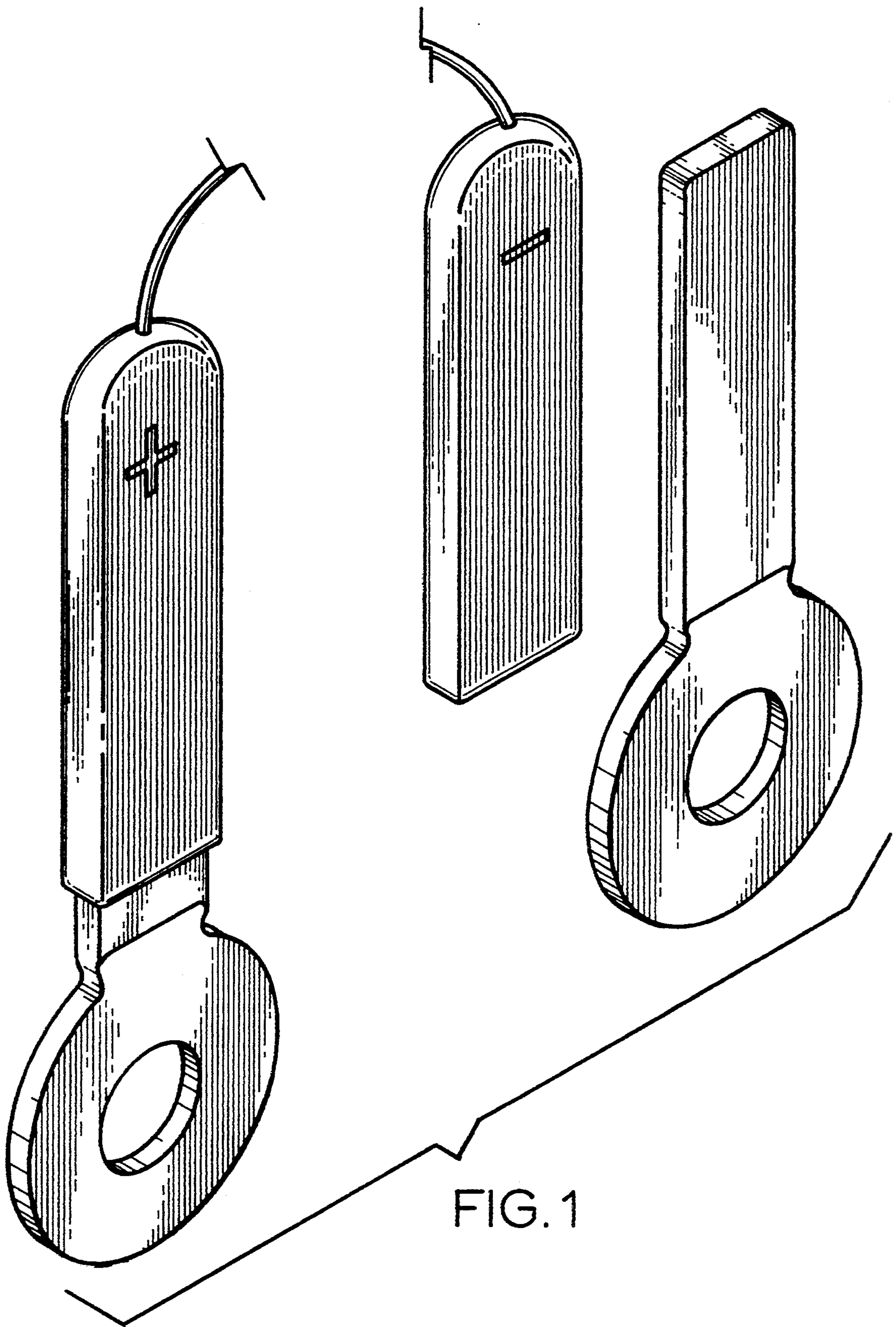
FIG. 2 is a front elevational view a set of terminals for battery booster cables showing my new design with both terminal insulator sleeves in place;

FIG. 3 is a side elevational view thereof, the side opposite being a mirror image of the side shown in FIG. 3;

FIG. 4 is a top plan view thereof; and,

FIG. 5 is a bottom plan view thereof.





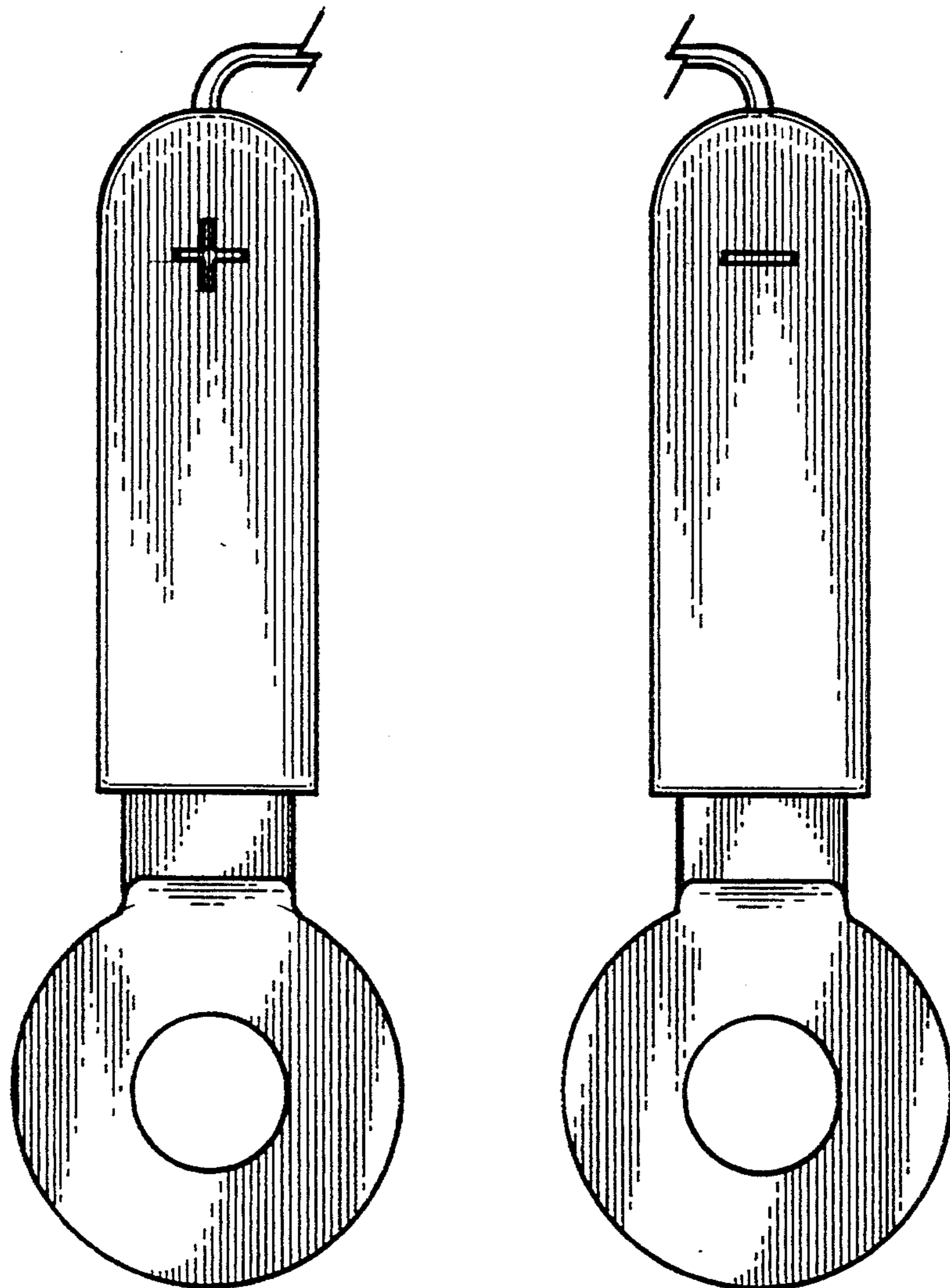


FIG. 2

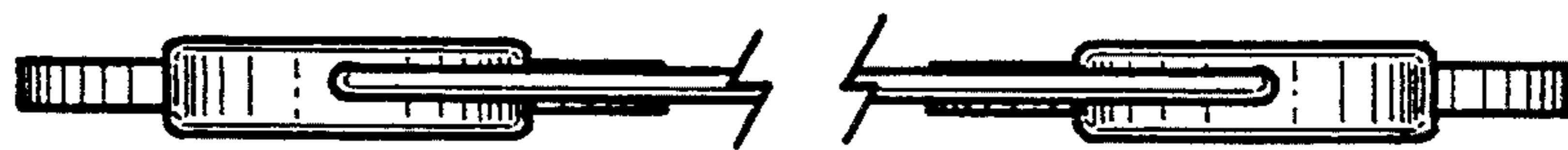


FIG. 4

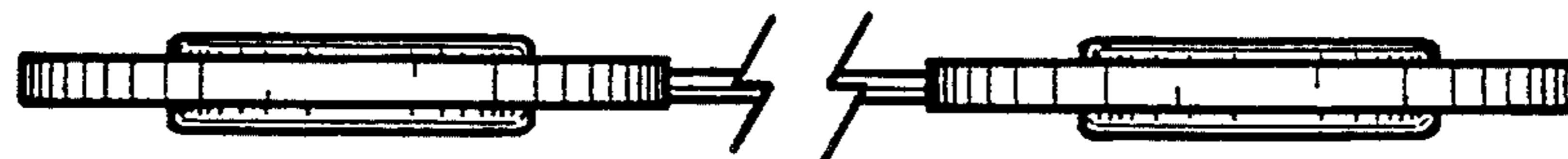


FIG. 5

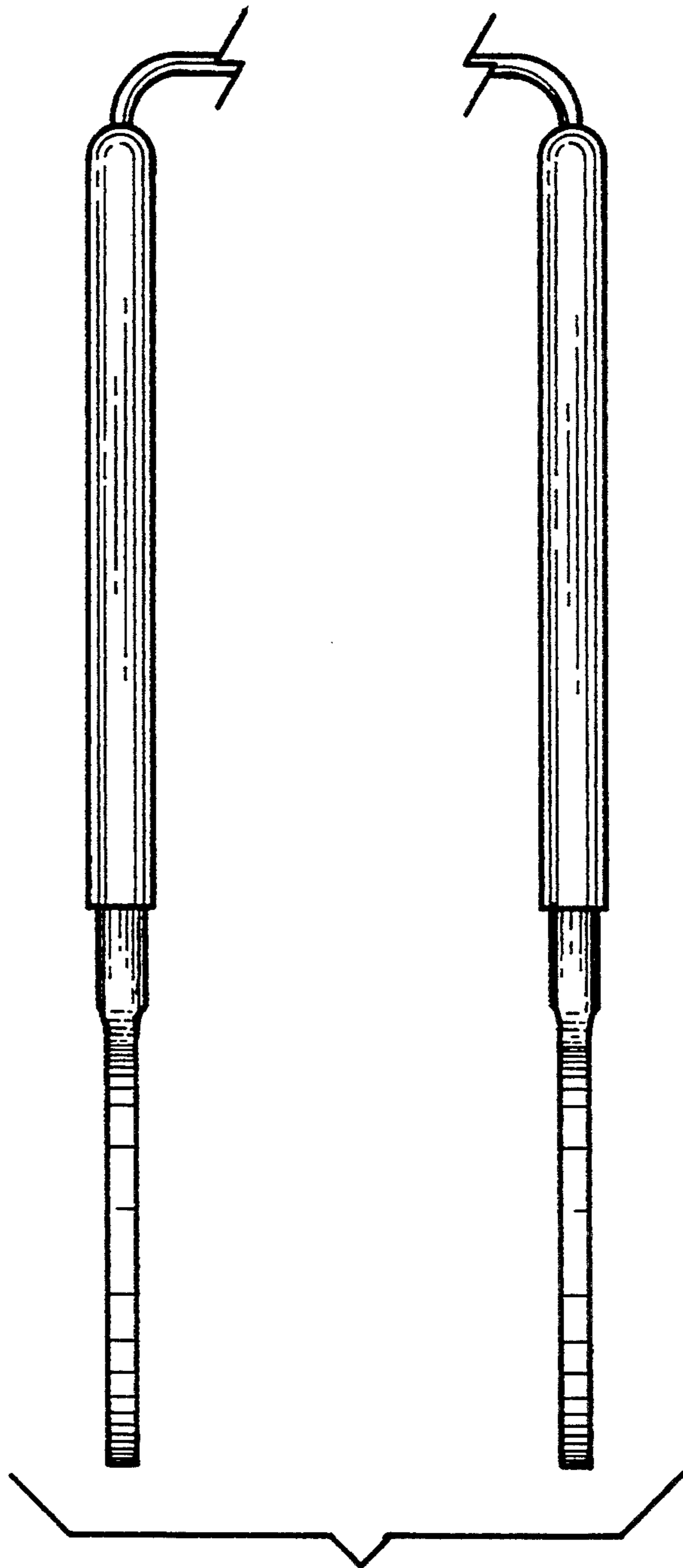


FIG. 3