



US00D361743S

# United States Patent [19]

[11] Patent Number: **Des. 361,743**

Matsumoto et al.

[45] Date of Patent: **\*\* Aug. 29, 1995**

## [54] BABY CHAIR

[75] Inventors: **Hiroshi Matsumoto; Tetsuro Otobe; Kazuhiro Sasaki; Kazumasa Okumura**, all of Kariya; **Kazuo Sato**, Ohbu; **Masaaki Toya**, Nagoya, all of Japan

[73] Assignees: **Kabushiki Kaisha Toyoda Jidoshokki Seisakusho**, Kariya; **Leaman, Inc.**, Nagoya, both of Japan

[\*\*] Term: **14 Years**

[21] Appl. No.: **21,465**

[22] Filed: **Apr. 18, 1994**

### [30] Foreign Application Priority Data

Oct. 19, 1993 [JP] Japan ..... 5-031881

[52] U.S. Cl. .... **D12/129**

[58] Field of Search ..... D12/128, 129; 280/643, 280/30, 642, 647, 657, 658; 297/250

### [56] References Cited

#### U.S. PATENT DOCUMENTS

3,116,069	12/1963	Dostal .....	280/30
3,944,241	3/1976	Epelbaum .....	280/30
4,641,844	2/1987	Mar et al. ....	280/30
4,852,894	8/1989	Dyer .....	280/643
5,104,134	4/1992	Cone .....	280/643

### FOREIGN PATENT DOCUMENTS

62-138637 9/1987 Japan .

773975 11/1989 Japan .

4232175 8/1992 Japan .

*Primary Examiner*—Kay H. Chin

*Attorney, Agent, or Firm*—Brooks Haidt Haffner & Delahunty

### [57] CLAIM

The ornamental design for a baby chair, as shown and described.

### DESCRIPTION

FIG. 1 is a front view of a baby chair having ornamental design in accordance with the present invention;

FIG. 2 is a rear view thereof;

FIG. 3 is a right side view thereof;

FIG. 4 is a top plan view thereof;

FIG. 5 is a bottom plan view thereof;

FIG. 6 is a front perspective view thereof;

FIG. 7 is a front view of the baby chair in the folded position when the chair be used as a restraint seat in automobile;

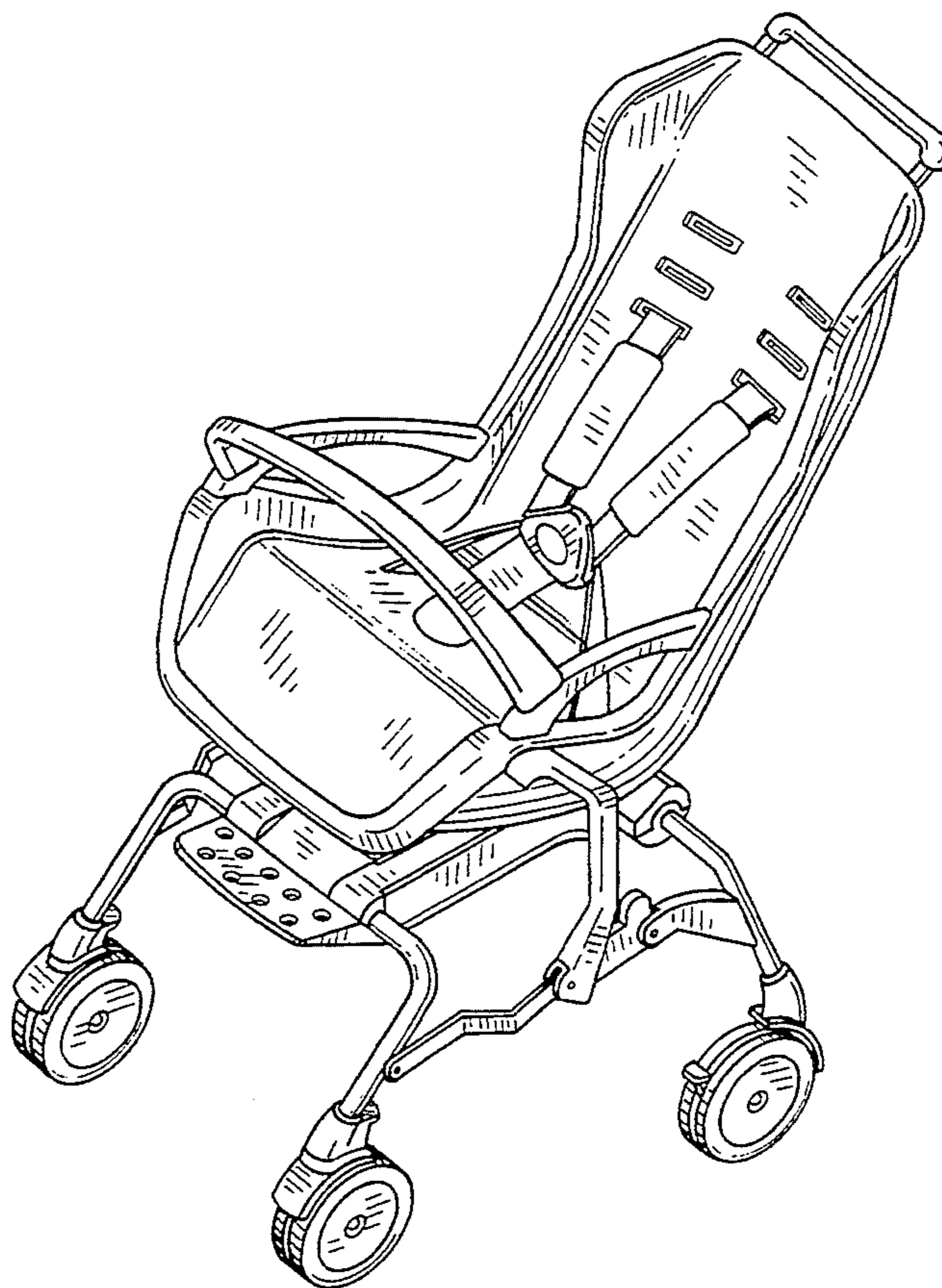
FIG. 8 is a rear view of FIG. 7;

FIG. 9 is a right side view of FIG. 7;

FIG. 10 is a top plan view of FIG. 7;

FIG. 11 is a bottom plan view of FIG. 7; and,

FIG. 12 is a front perspective view of FIG. 7.



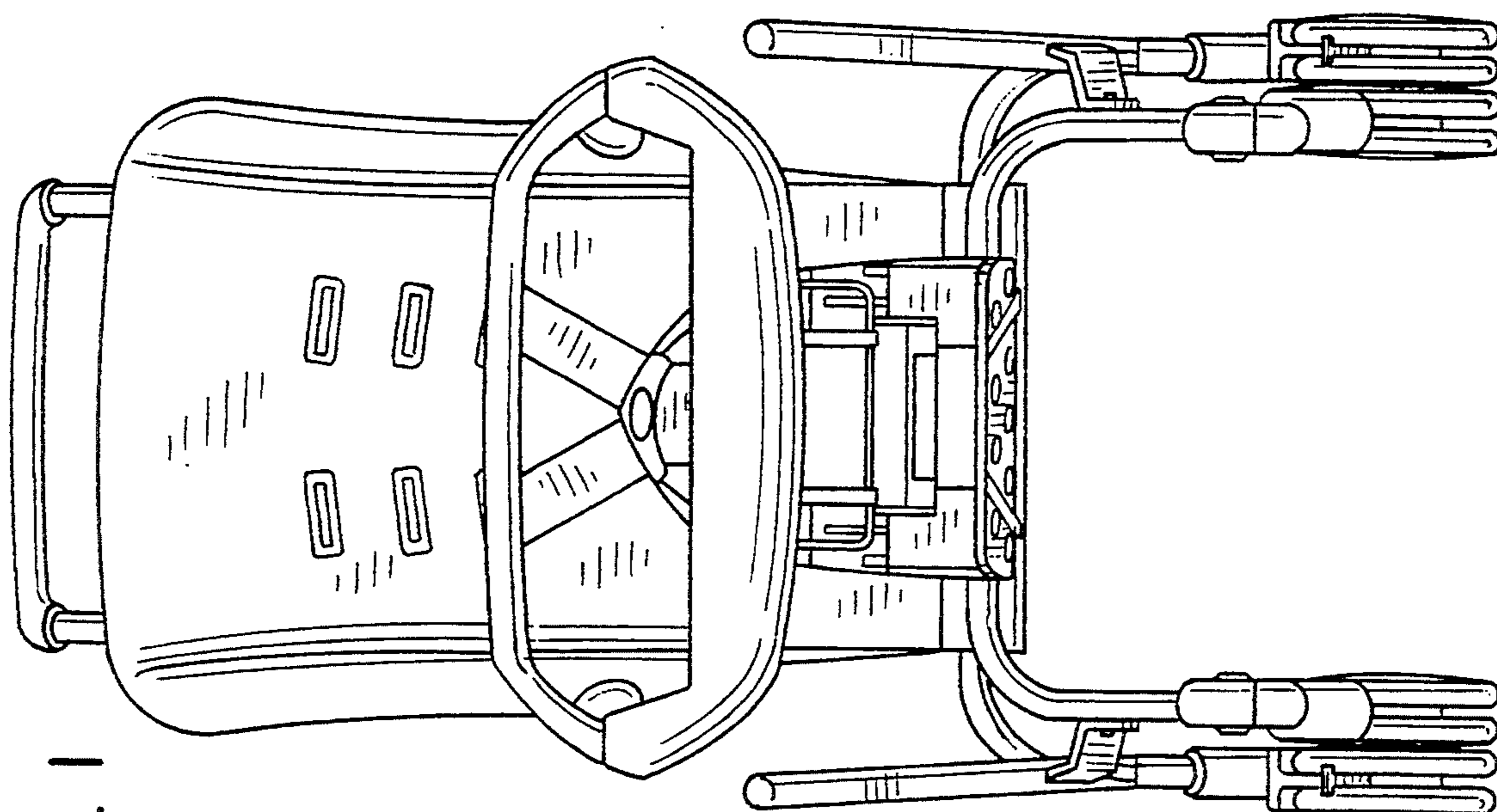


FIG. 1

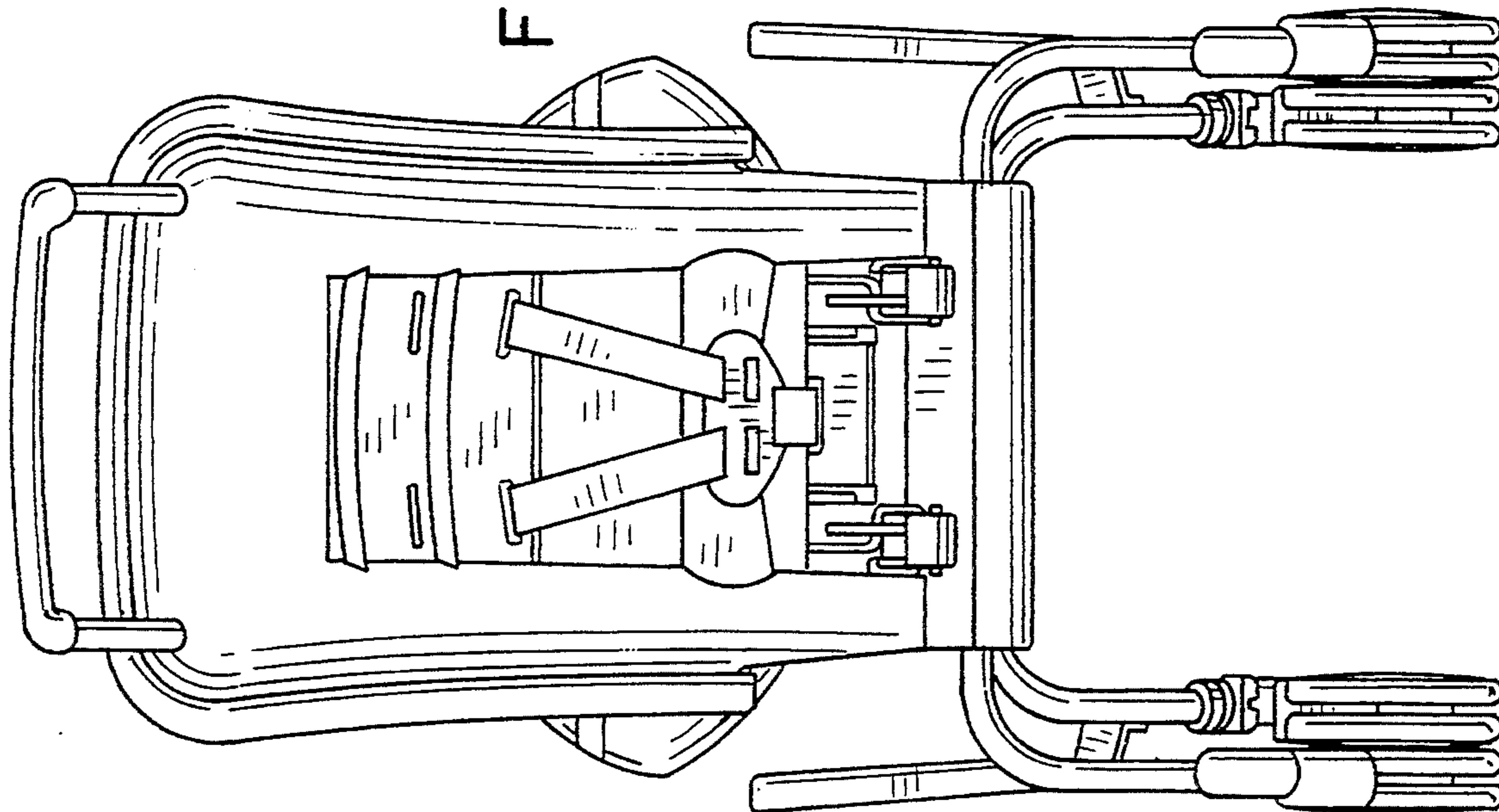


FIG. 2

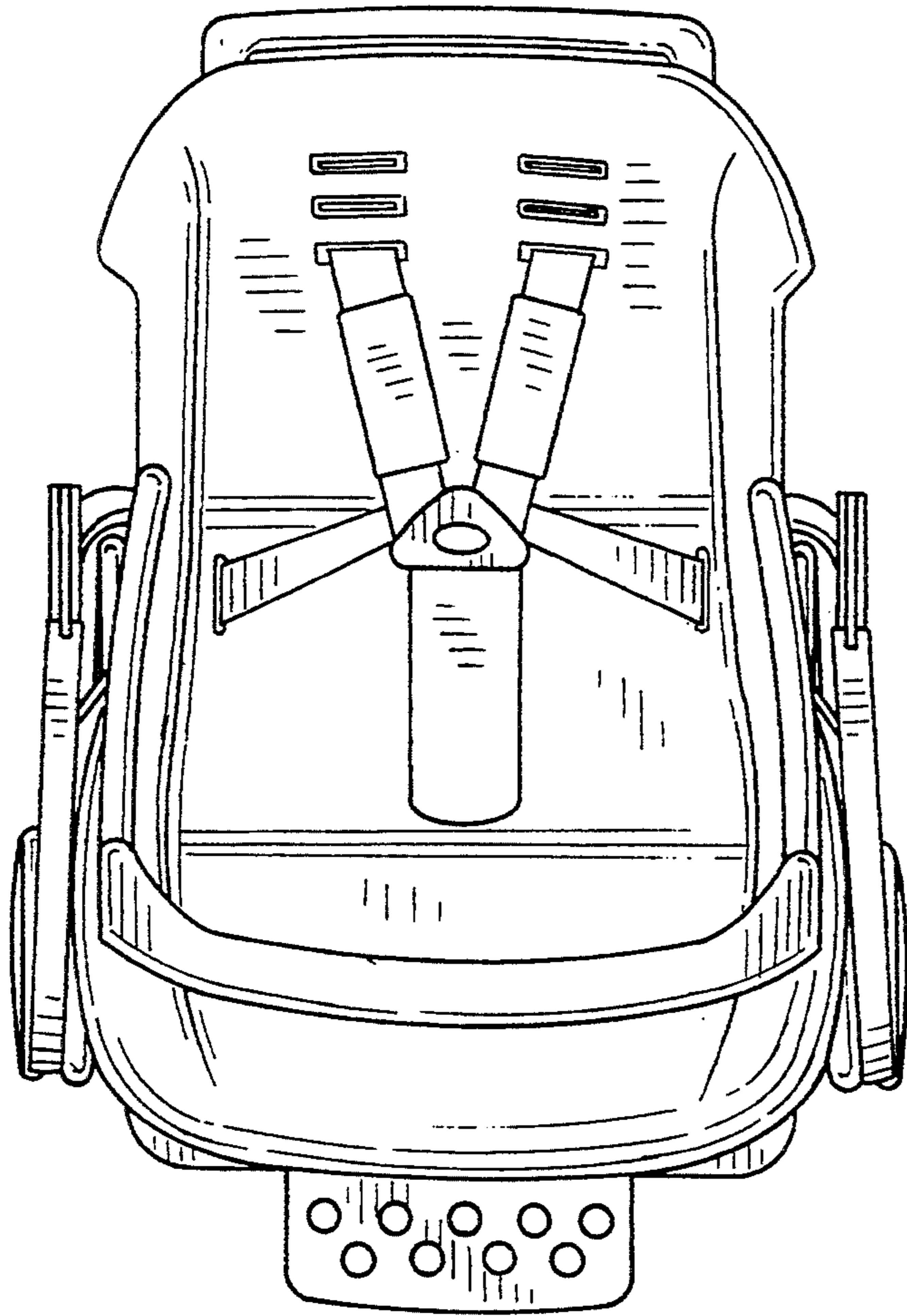


FIG. 10

FIG. 3

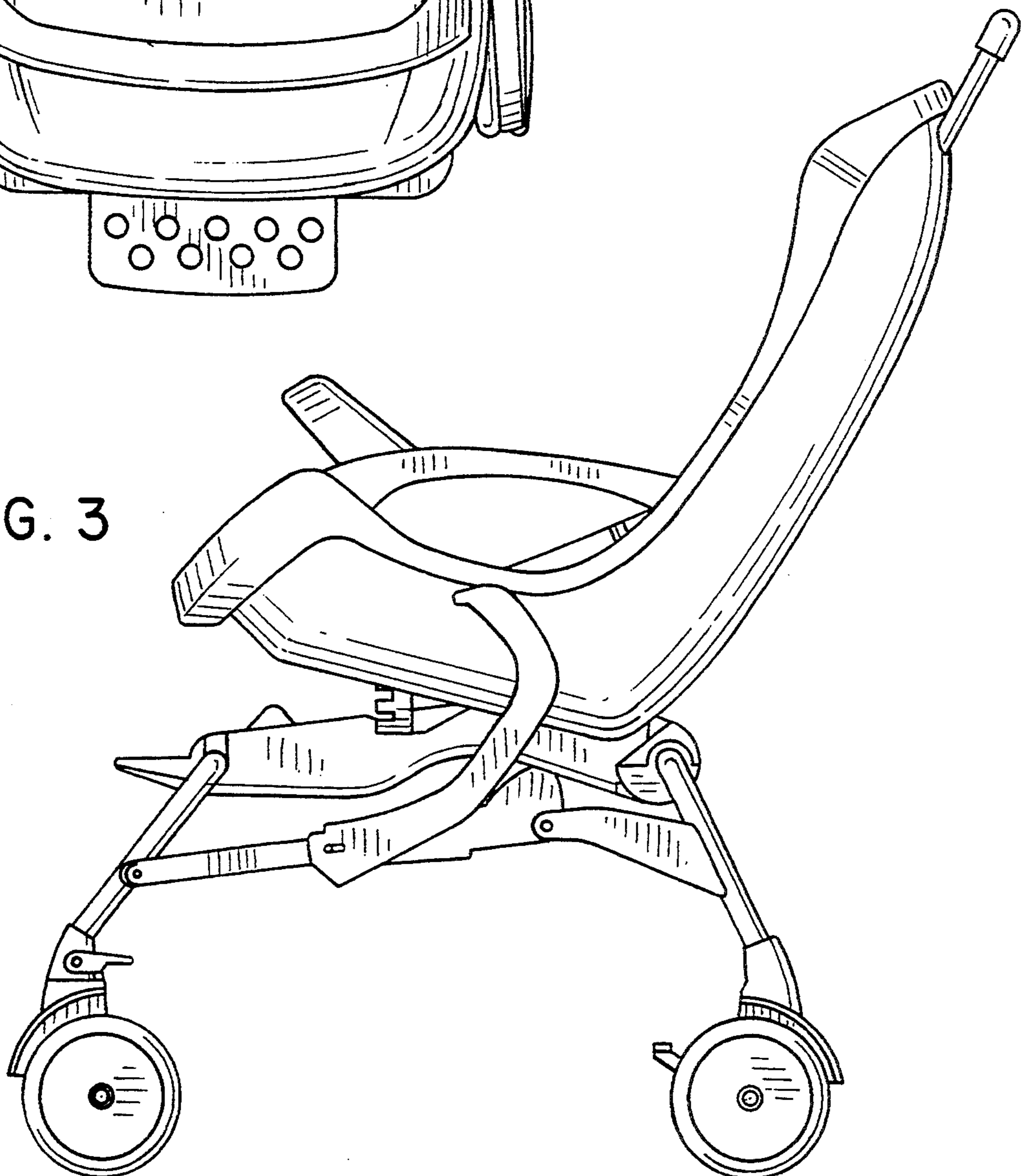


FIG. 5

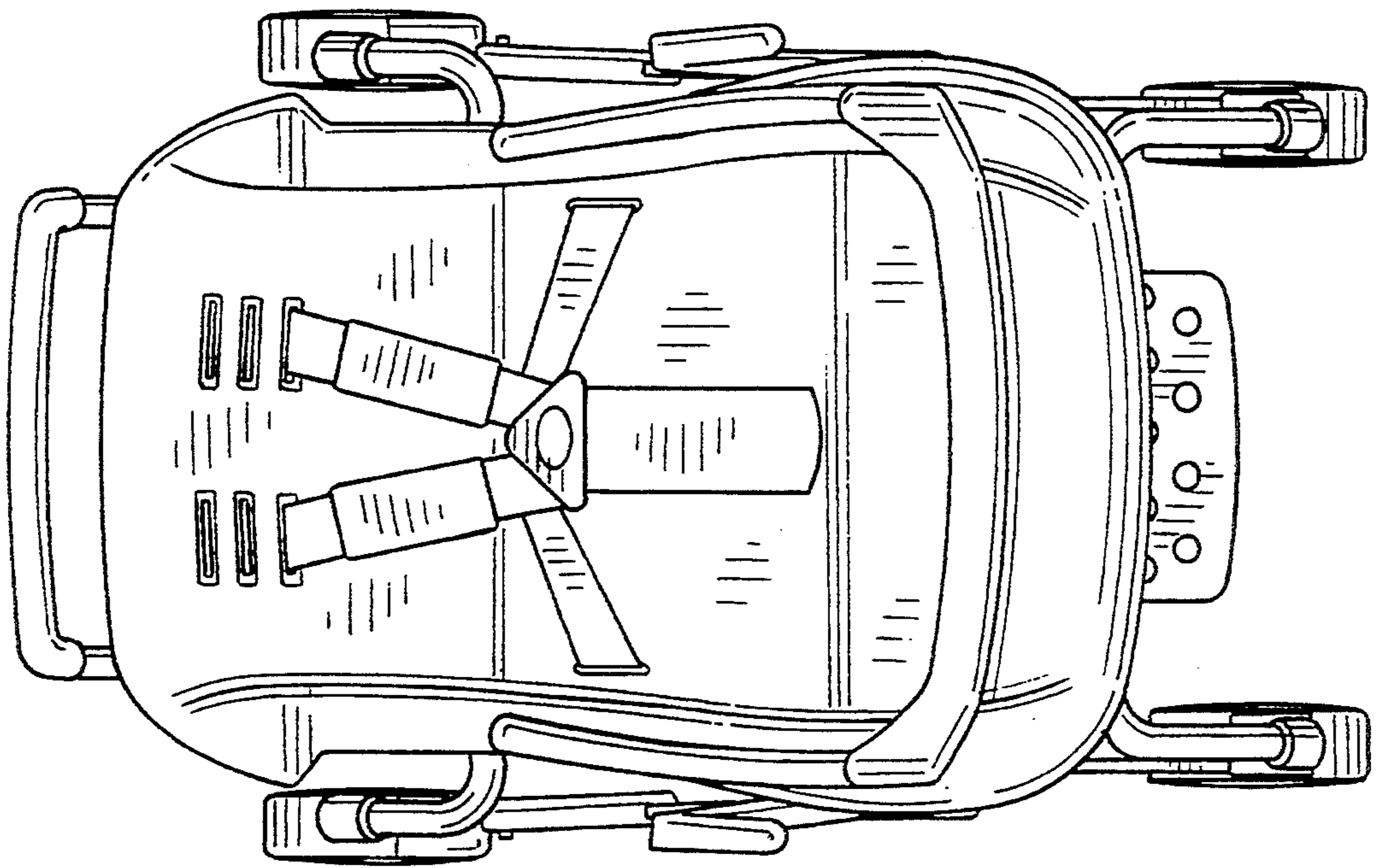
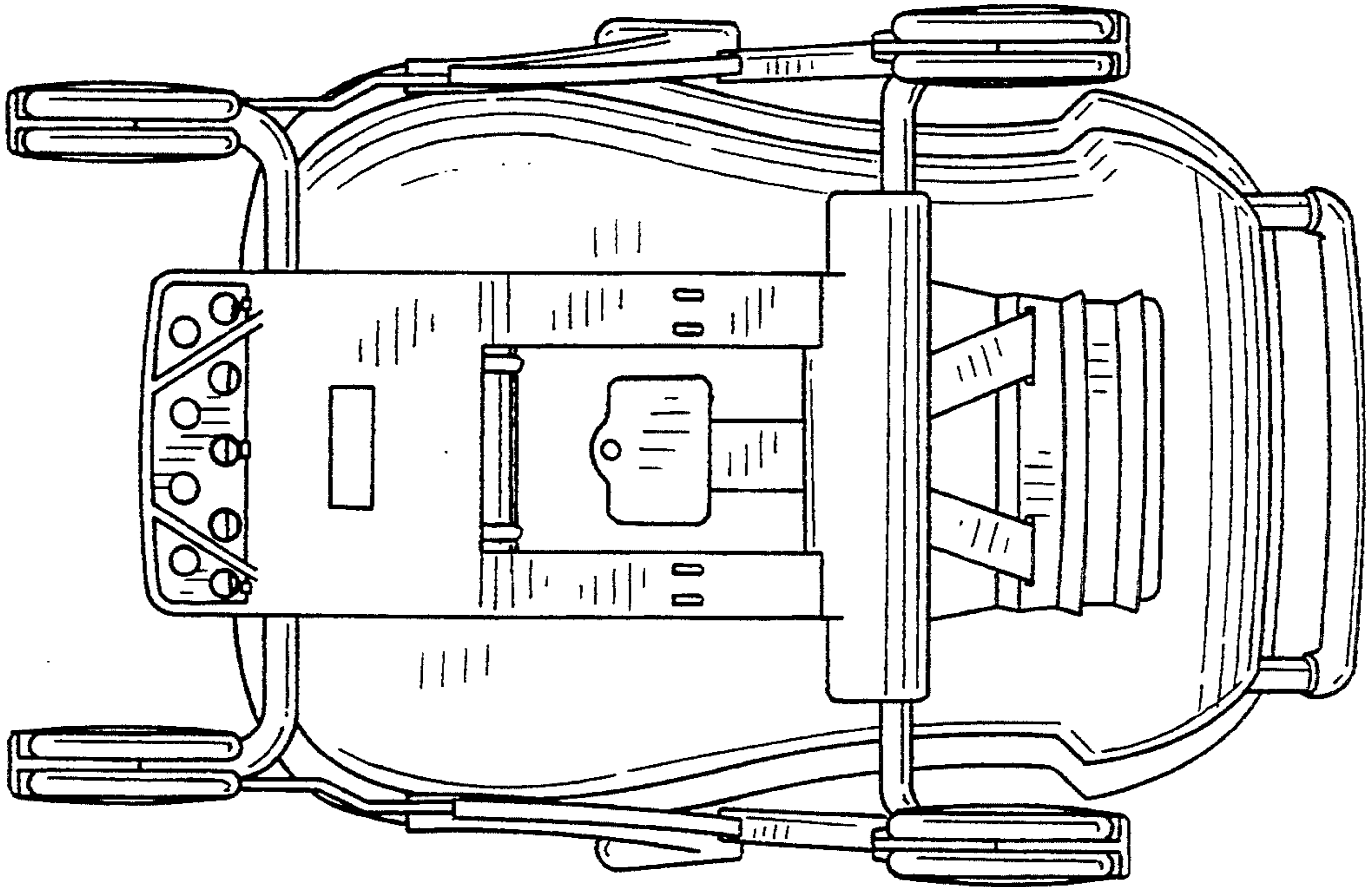


FIG. 4

FIG. 9

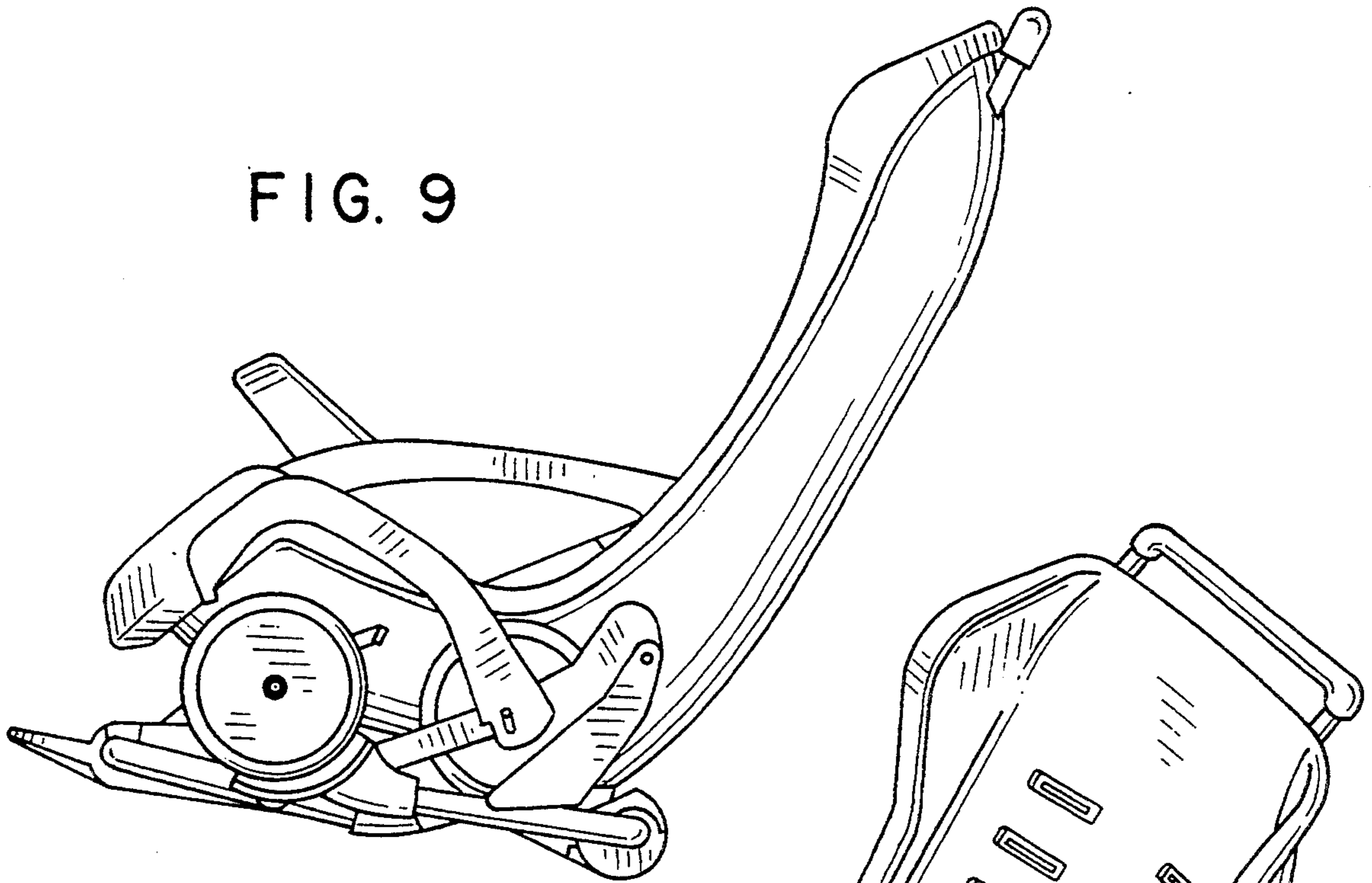
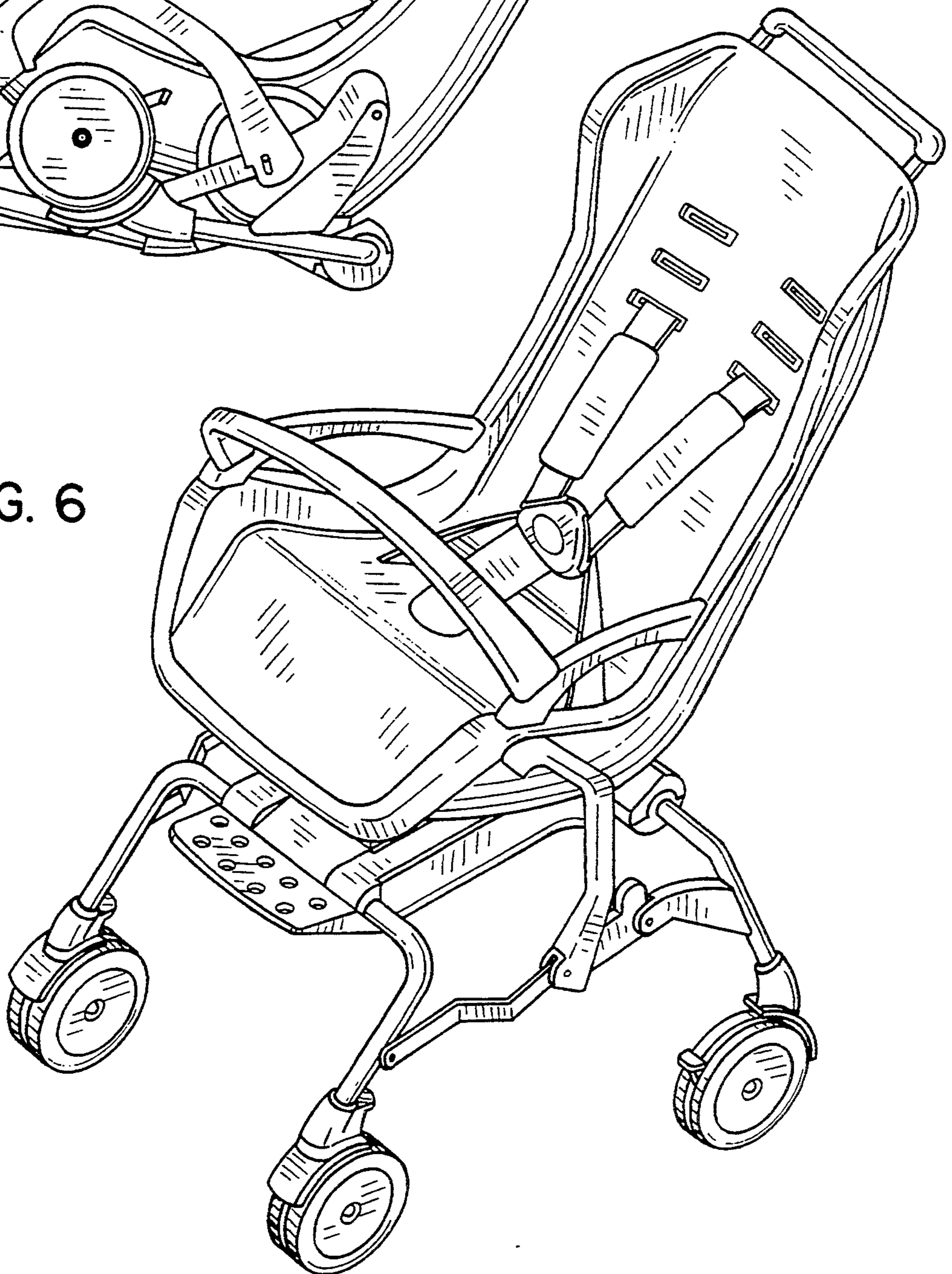


FIG. 6



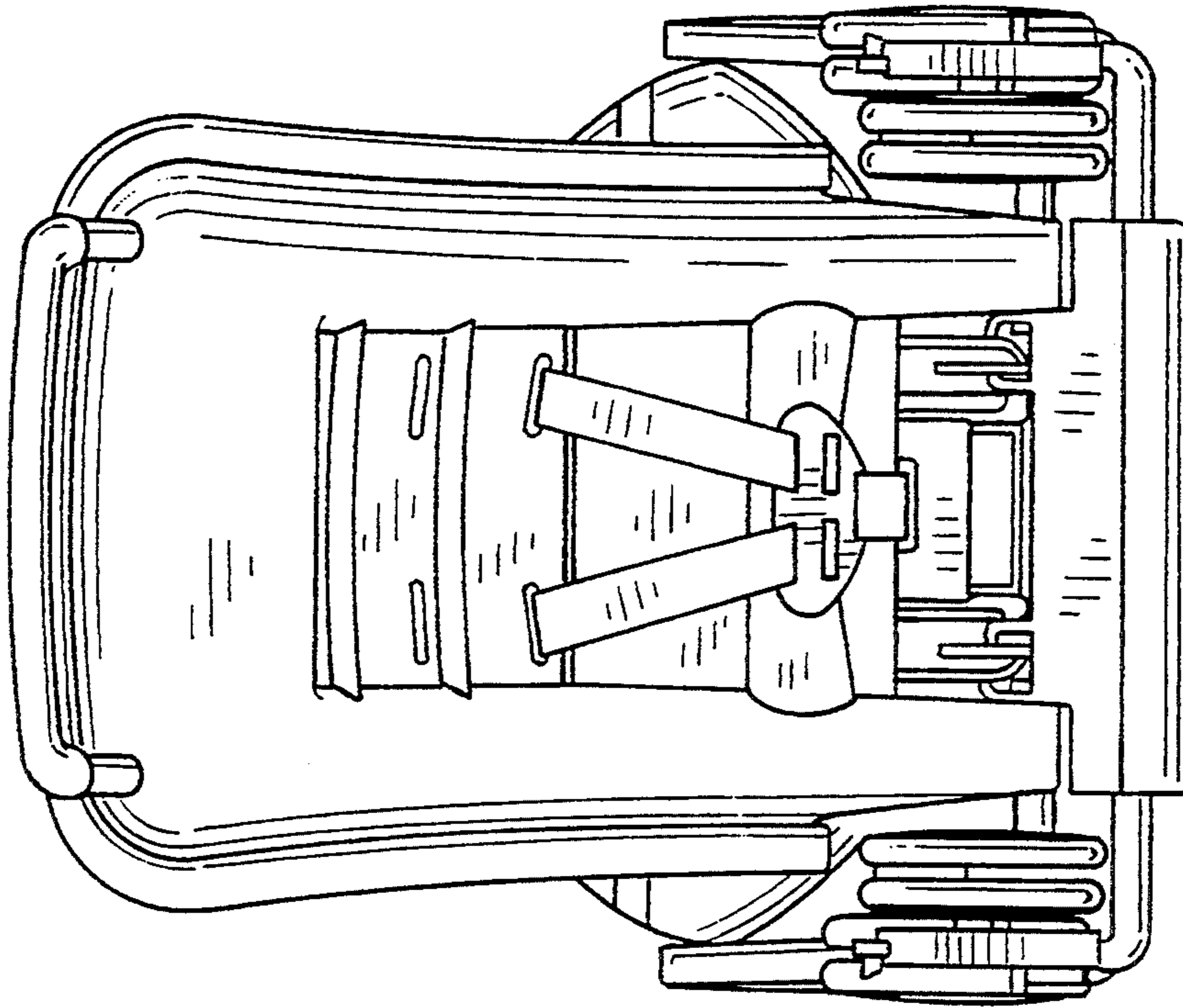


FIG. 7

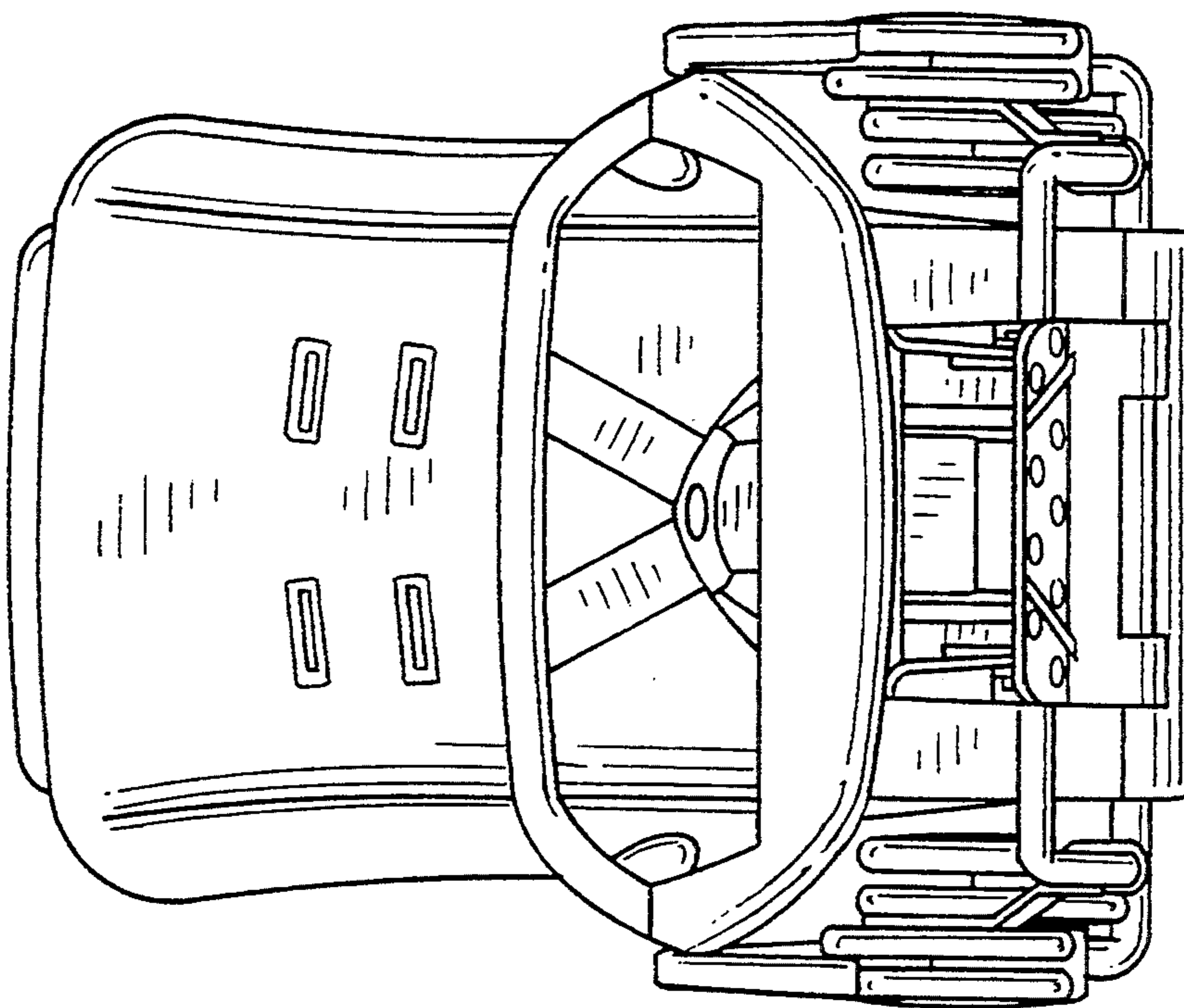


FIG. 8

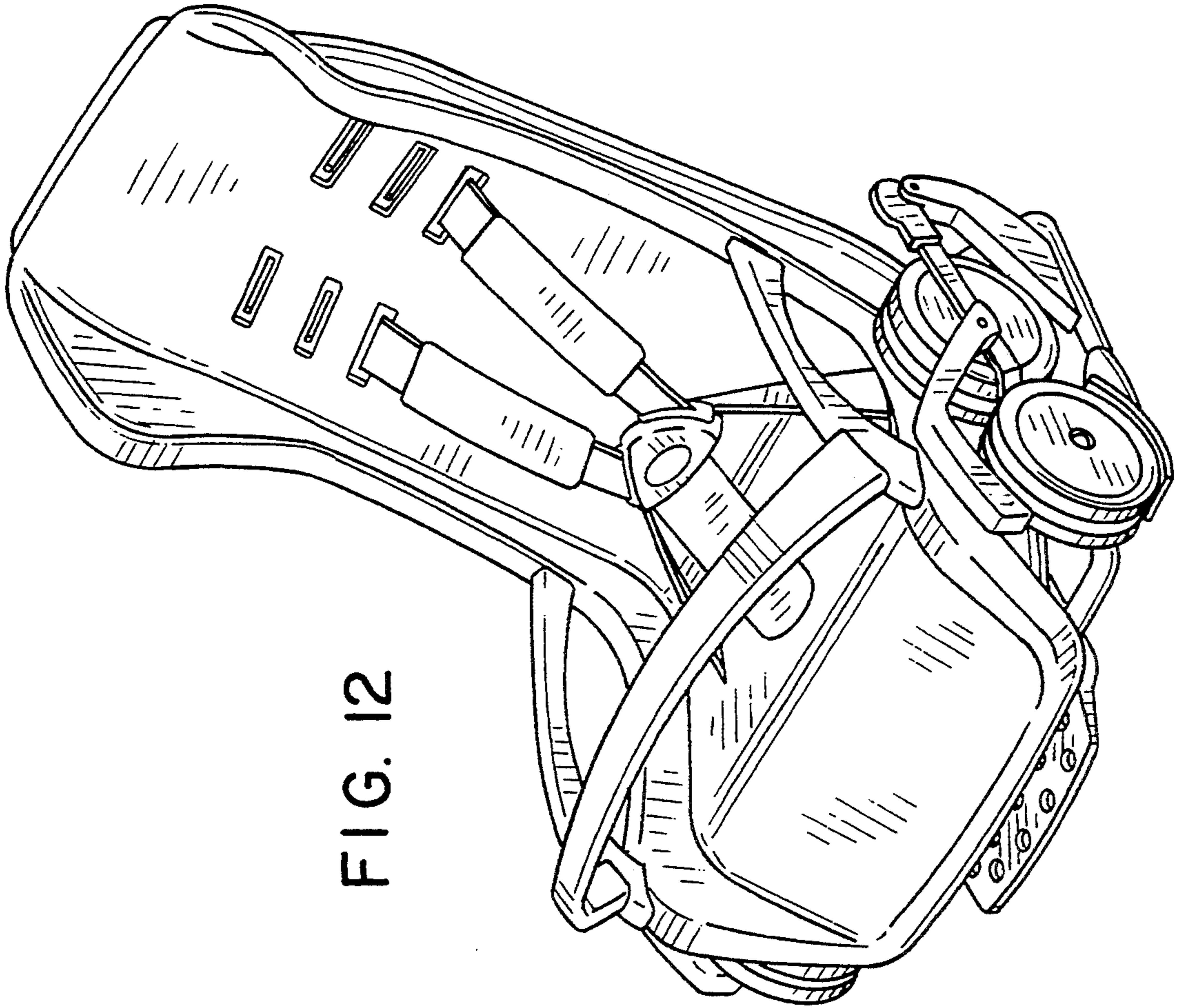


FIG. 12

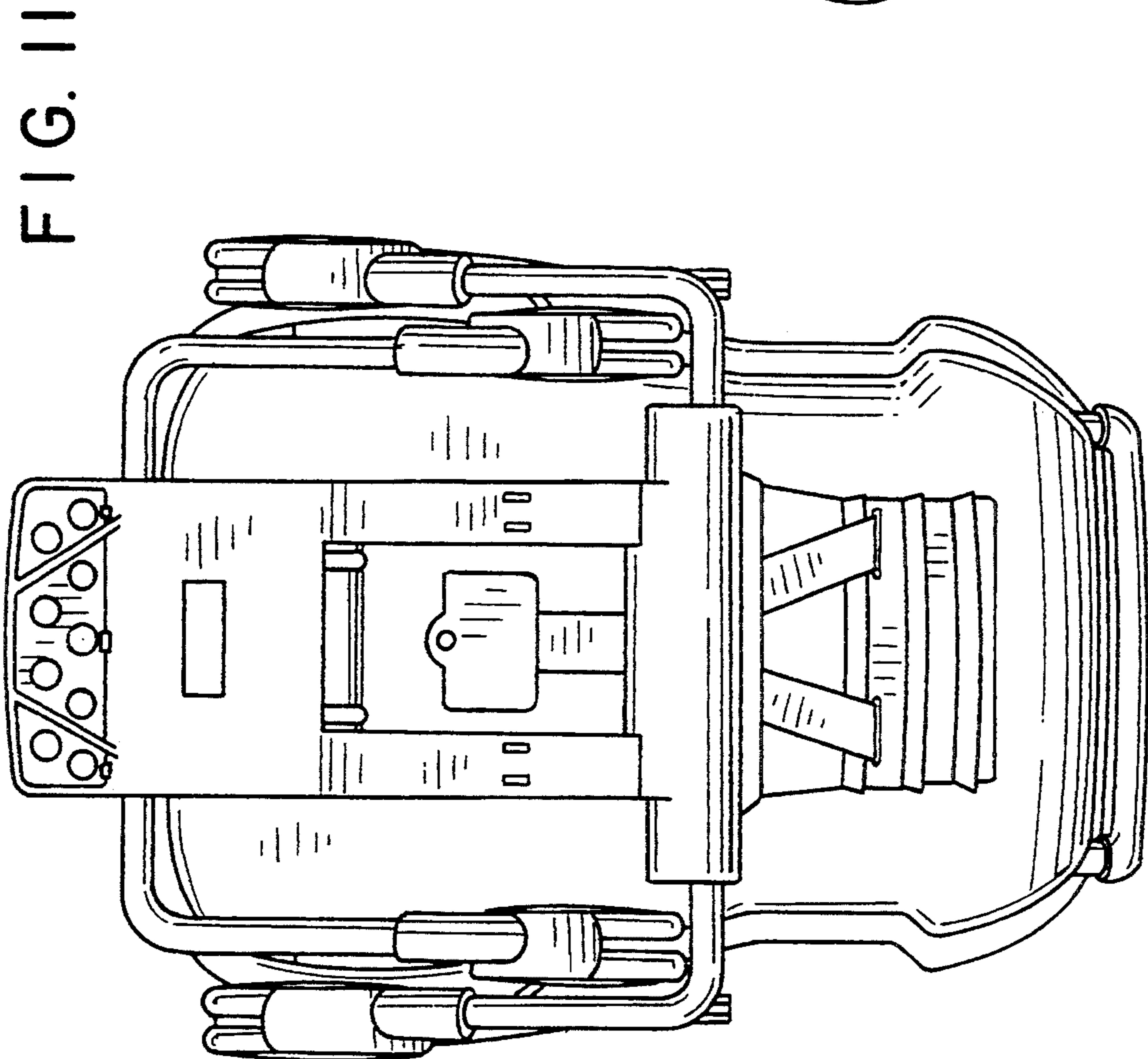


FIG. 11